

Golf

Component Locations

No. 801 / 1

Edition 01.2012

Ground Connections

Overview of Ground Connections in engine compartment

656 Ground connection on right headlamp

- Tightening specification: 9 Nm
- Component location: → Anchor

685 Ground connection 1 on right front longitudinal member

- Tightening specification: 6 Nm
- Component location: → Anchor

609 Ground connection in plenum chamber, right

- Tightening specification: 9 Nm
- Component location: → Anchor

28 Ground connection on firewall

- Tightening specification: 20 Nm
- Component location: → Anchor

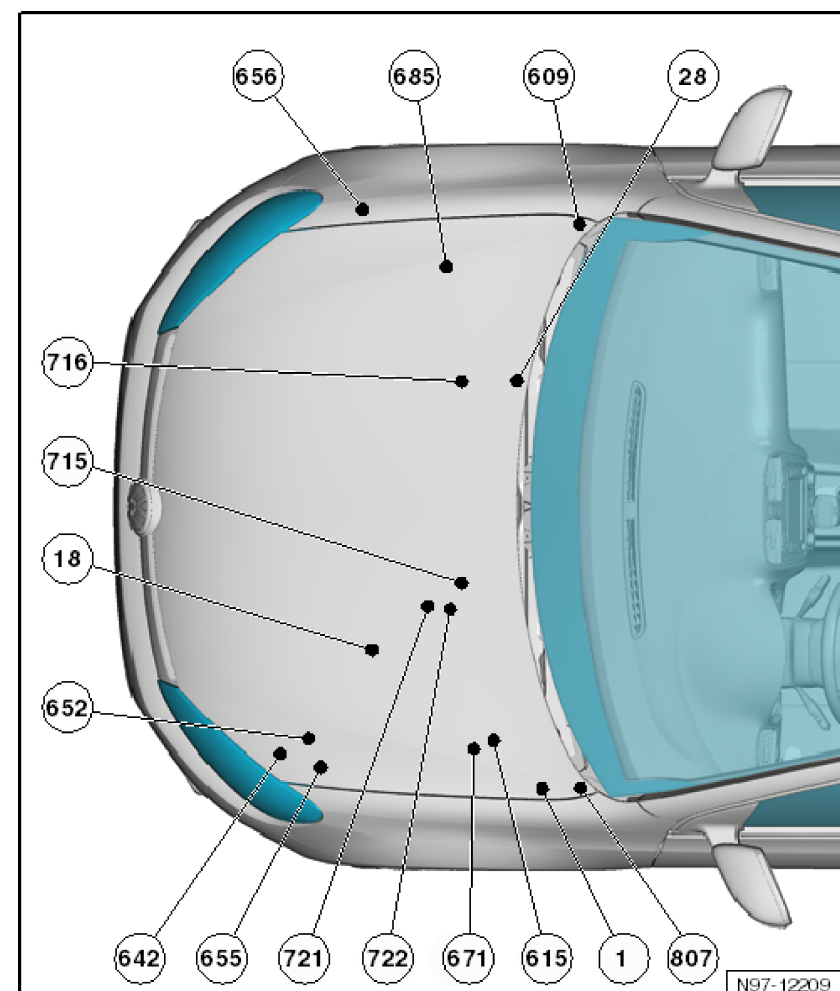
716 Ground connection on right crossmember

- Tightening specification: 20 Nm
- Component location: → Anchor

715 Ground connection on left crossmember

- Tightening specification: 23 Nm
- Component location: → Anchor

607 Ground connection in plenum chamber, left



N97-12209

- 1
 - Tightening specification: 9 Nm
 - Component location: → **Anchor**
 - Ground strap, battery to body**

- 615
 - Tightening specification: 9 Nm
 - Component location: → **Anchor**
 - Ground connection on left strut**

- 671
 - Tightening specification: 9 Nm
 - Component location: → **Anchor**
 - Ground connection 1 on left front longitudinal member**

- 722
 - Tightening specification: 20 Nm
 - Component location: → **Anchor**
 - Special equipment ground connection 2**

- 721
 - Tightening specification: 20 Nm
 - Component location: → **Anchor**
 - Special equipment ground connection 1**

- 655
 - Tightening specification: 23 Nm
 - Component location: → **Anchor**
 - Ground connection on the left headlamp**

- 642
 - Tightening specification: 9 Nm
 - Component location: → **Anchor**
 - Electronic fan control ground connection**

- 652
 - Tightening specification: 9 Nm
 - Component location: → **Anchor**
 - Installation locations from November 2011 → **Anchor**
 - Transmission/engine ground connection**

- Tightening specification: 9 Nm
- Component location: → Anchor

18 **Ground connection on the engine block**

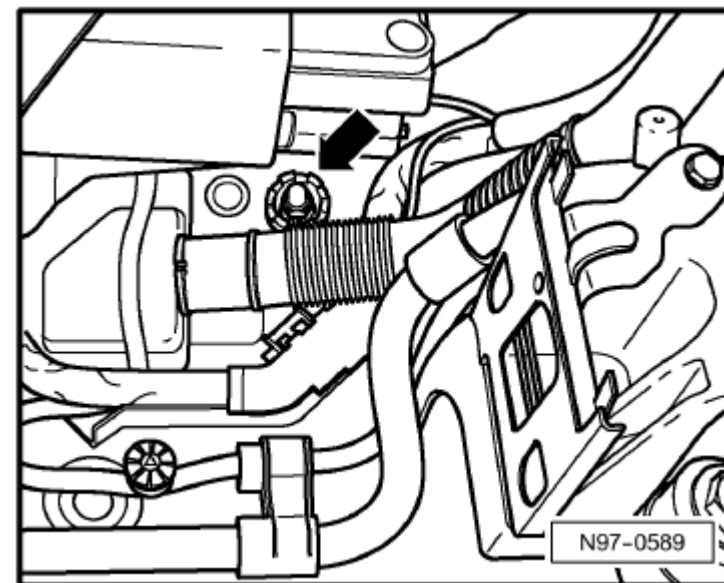
- Tightening specification: 15 Nm
- Component location: → Anchor

Golf

Component Locations

No. 801 / 2

656 Ground Connection (on right headlamp) -Arrow-

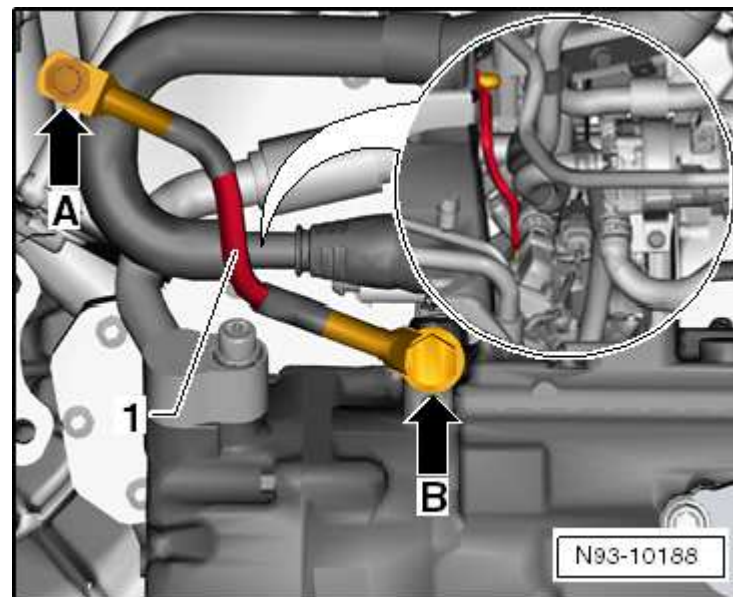


Golf

Component Locations

No. 801 / 3

685 Ground connection 1 on right front long member -arrow A-

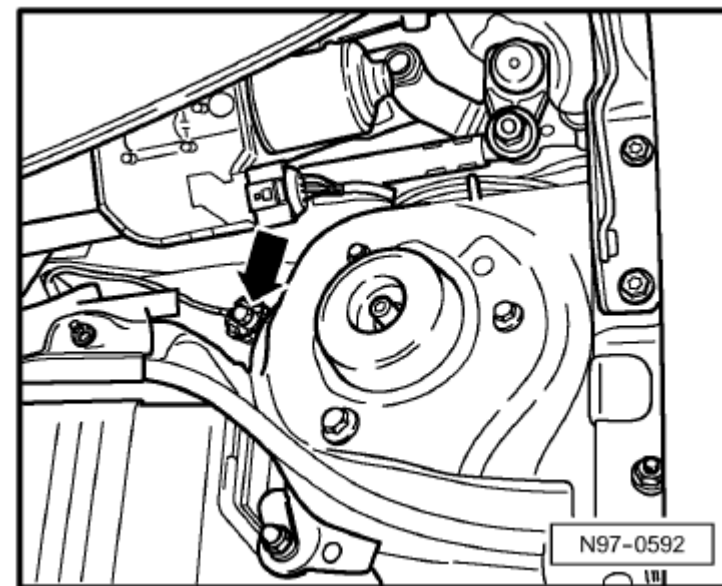


Golf

Component Locations

No. 801 / 4

609 Ground Connection (in plenum chamber, right) -Arrow-

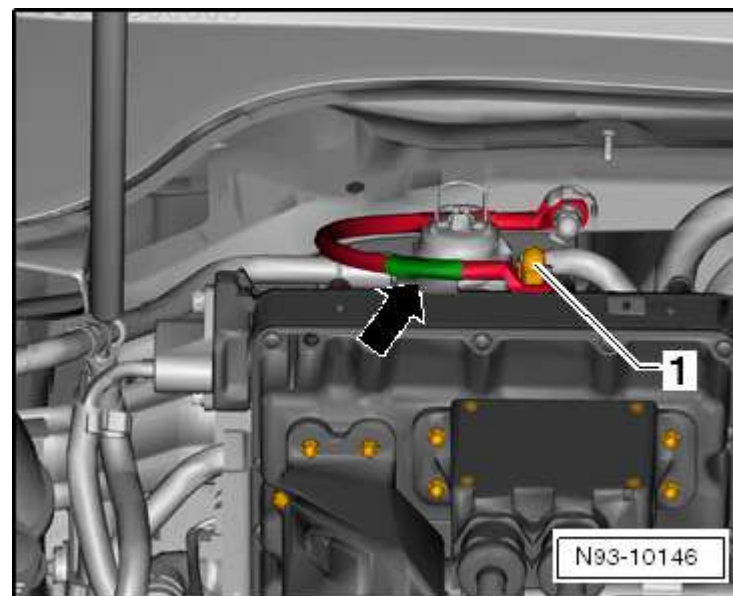


Golf

Component Locations

No. 801 / 5

28 Ground connection (on firewall) -arrow-

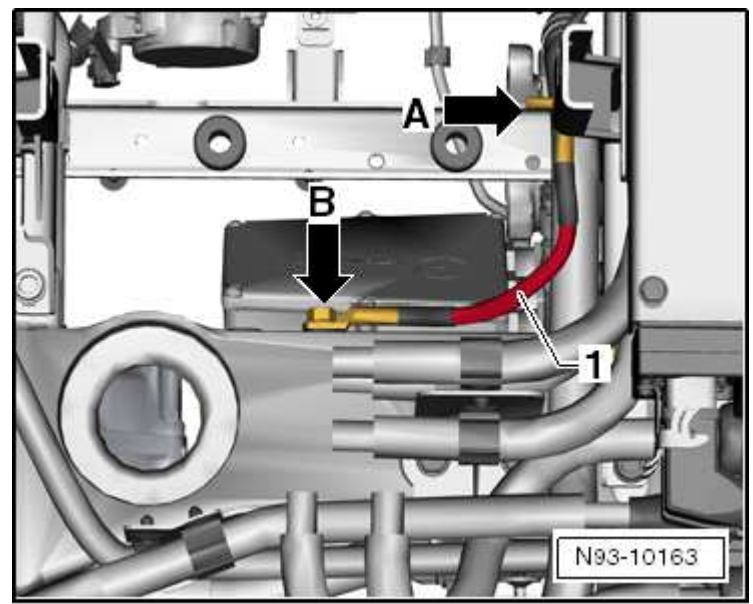


Golf

Component Locations

No. 801 / 6

716 Ground connection (on right cross member) -arrow B-

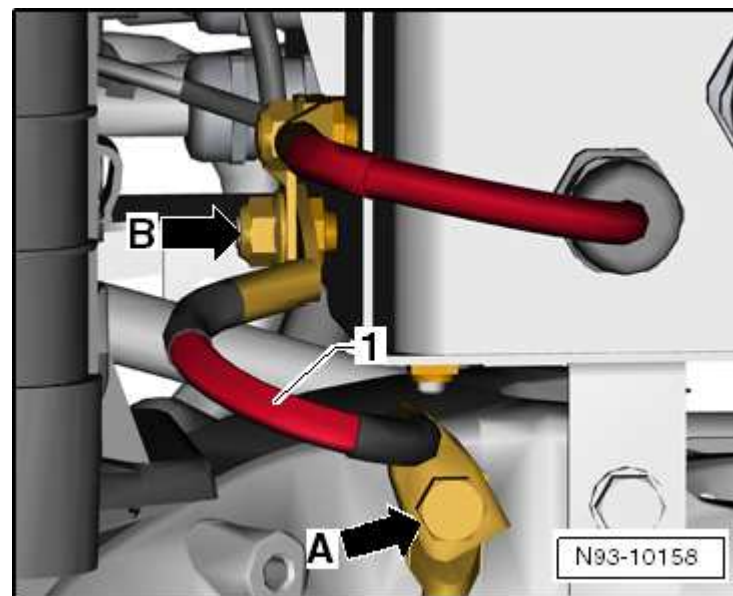


Golf

Component Locations

No. 801 / 7

715 Ground connection (on left cross member) -arrow A-

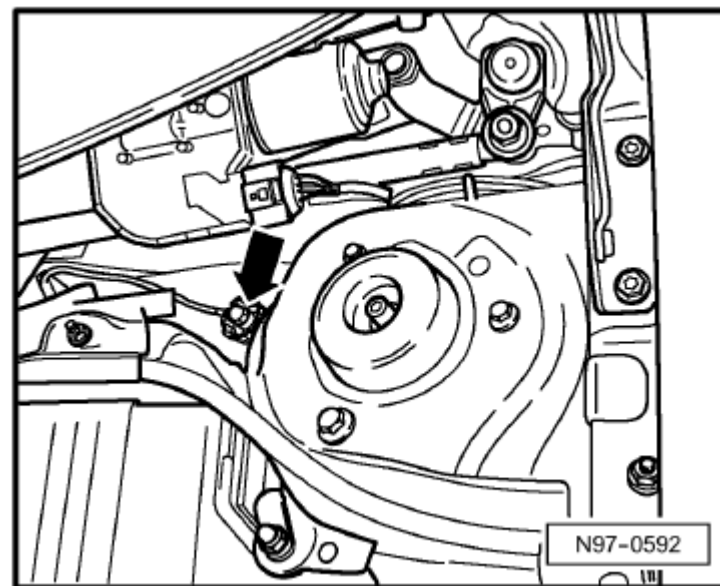


Golf

Component Locations

No. 801 / 8

607 Ground Connection (in plenum chamber, left) -Arrow-

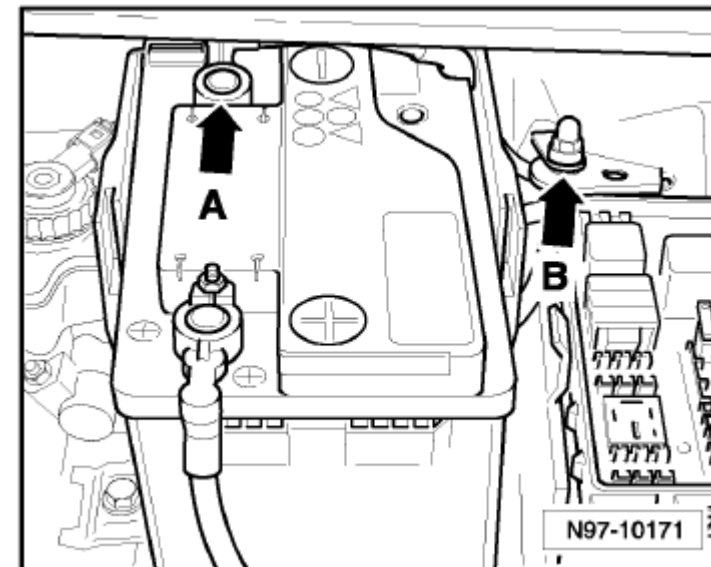


Golf

Component Locations

No. 801 / 9

- 1 Ground strap, battery to body -Arrow B-

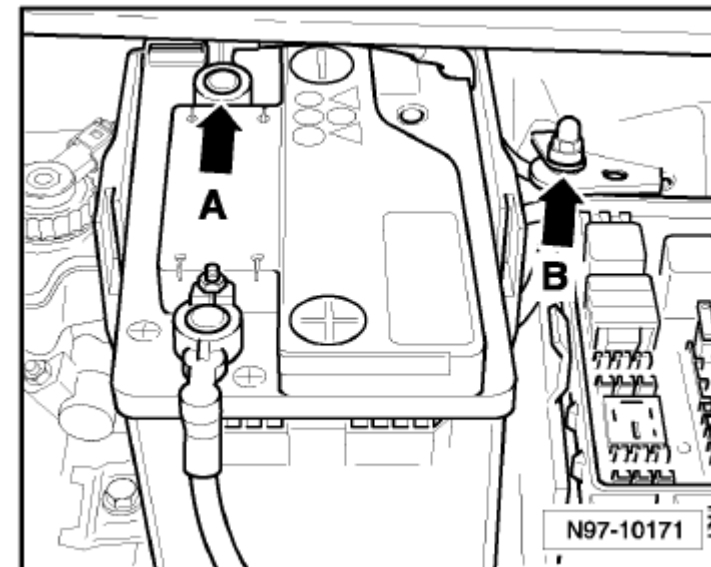


Golf

Component Locations

No. 801 / 10

615 Ground Connection, on left suspension strut -Arrow-

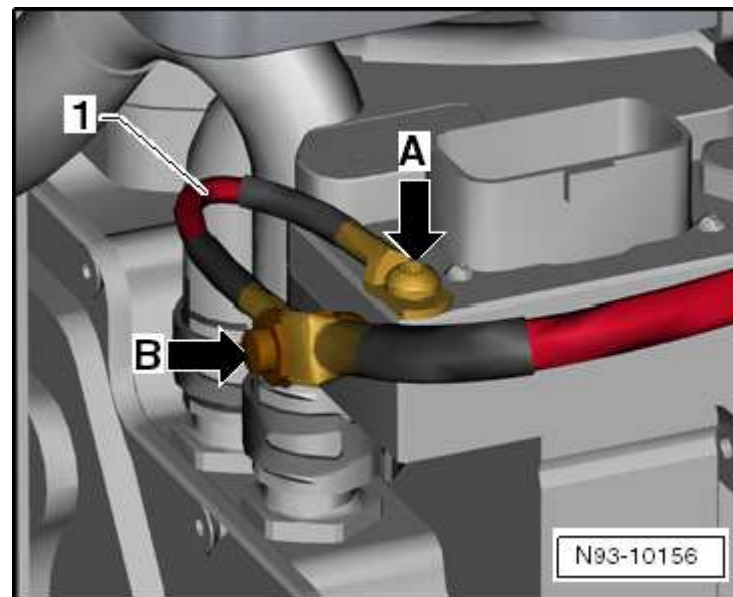


Golf

Component Locations

No. 801 / 11

671 Ground Connection 1 (on left front long member -Arrow B-

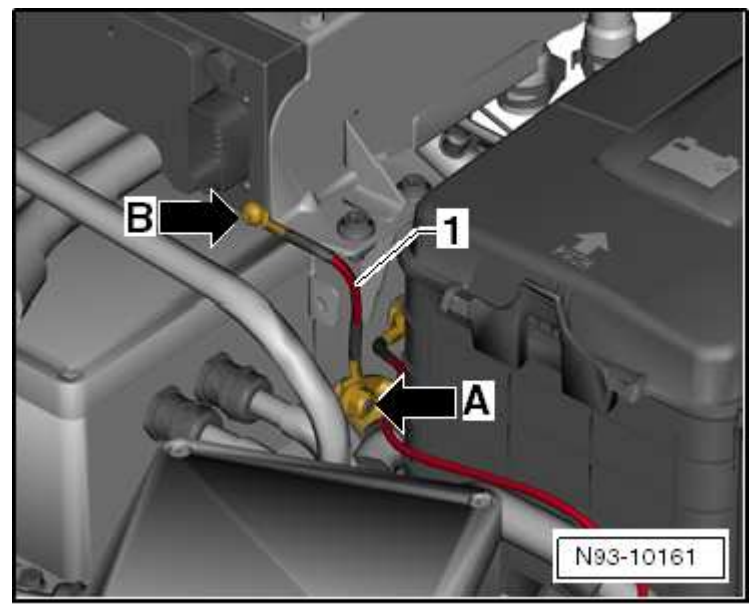


Golf

Component Locations

No. 801 / 12

722 Special equipment ground connection 2 -arrow A-

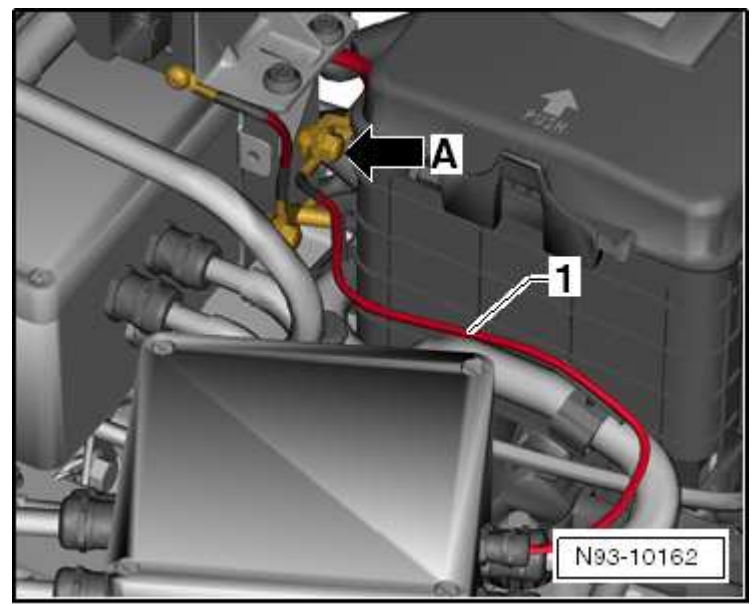


Golf

Component Locations

No. 801 / 13

721 Special equipment ground connection 1 -arrow A-

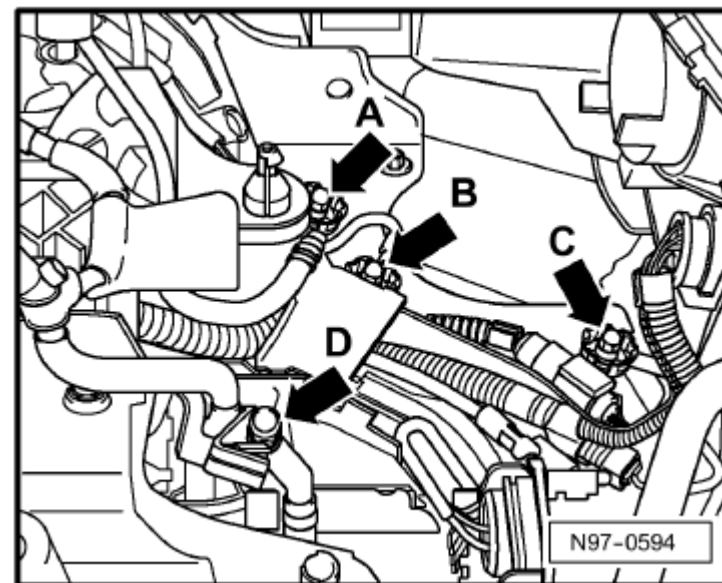


Golf

Component Locations

No. 801 / 14

655 Ground Connection (on left headlamp) -Arrow B-



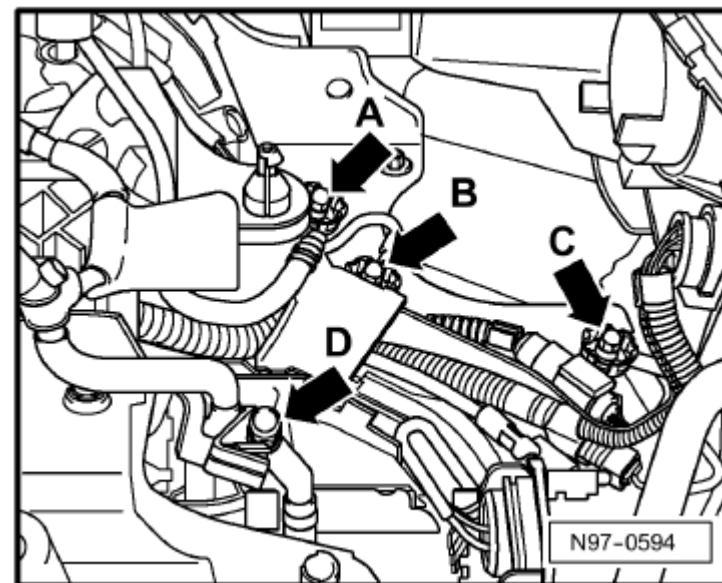
Golf

Component Locations

No. 801 / 15

Through November 2011

642 Ground Connection (on electronic fan control) -Arrow C-



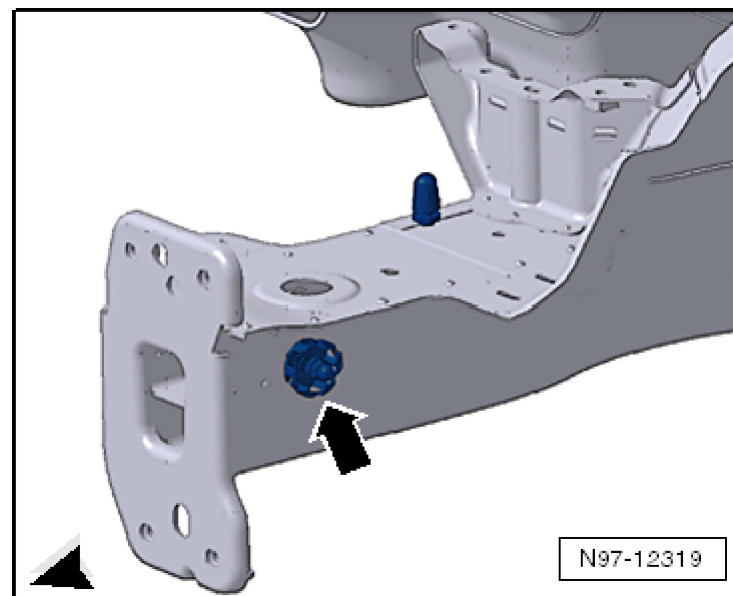
Golf

Component Locations

No. 801 / 16

from November 2011

642 Ground connection (on electronic fan control) -Arrow -

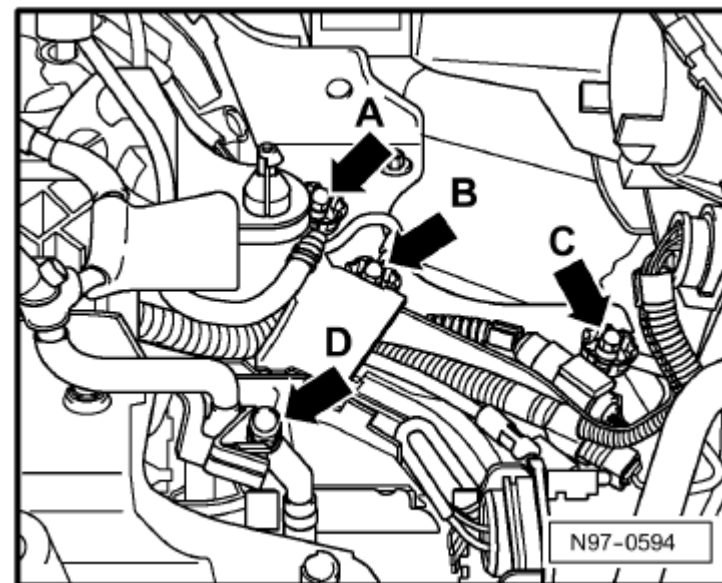


Golf

Component Locations

No. 801 / 17

652 Transmission/Engine Ground Connection -Arrow D-

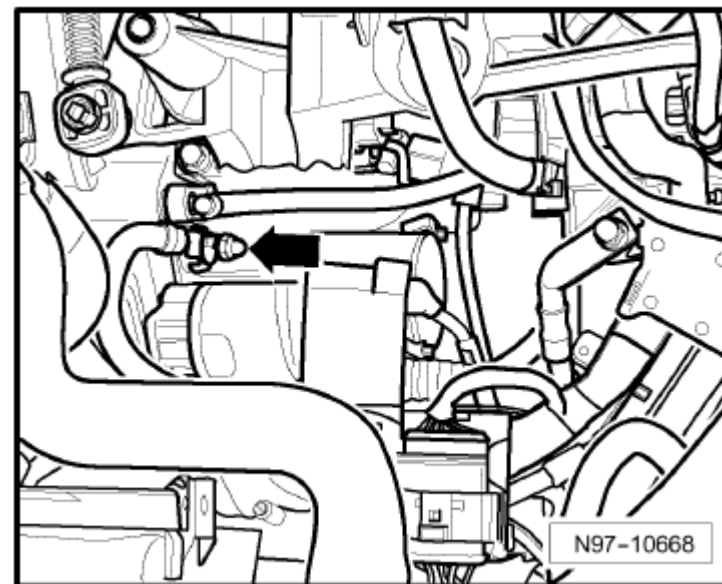


Golf

Component Locations

No. 801 / 18

18 Ground Connection (on engine block) -Arrow-



Golf

Component Locations

No. 801 / 19

Overview of Ground Connections in interior

43 **Ground connection on A-pillar, lower right**

- Tightening specification: 9 Nm
- Component location: → **Anchor**

47 **Ground connection in right front footwell**

- Tightening specification: 9 Nm
- Component location → **Anchor**

610 **Audio ground connection under front center console**

- Tightening specification: 9 Nm
- Component location → **Anchor**

739 **Ground connection on underbody, right**

- Tightening specification: 20 Nm
- Component location: → **Anchor**

71 **Ground connection on front roof bow**

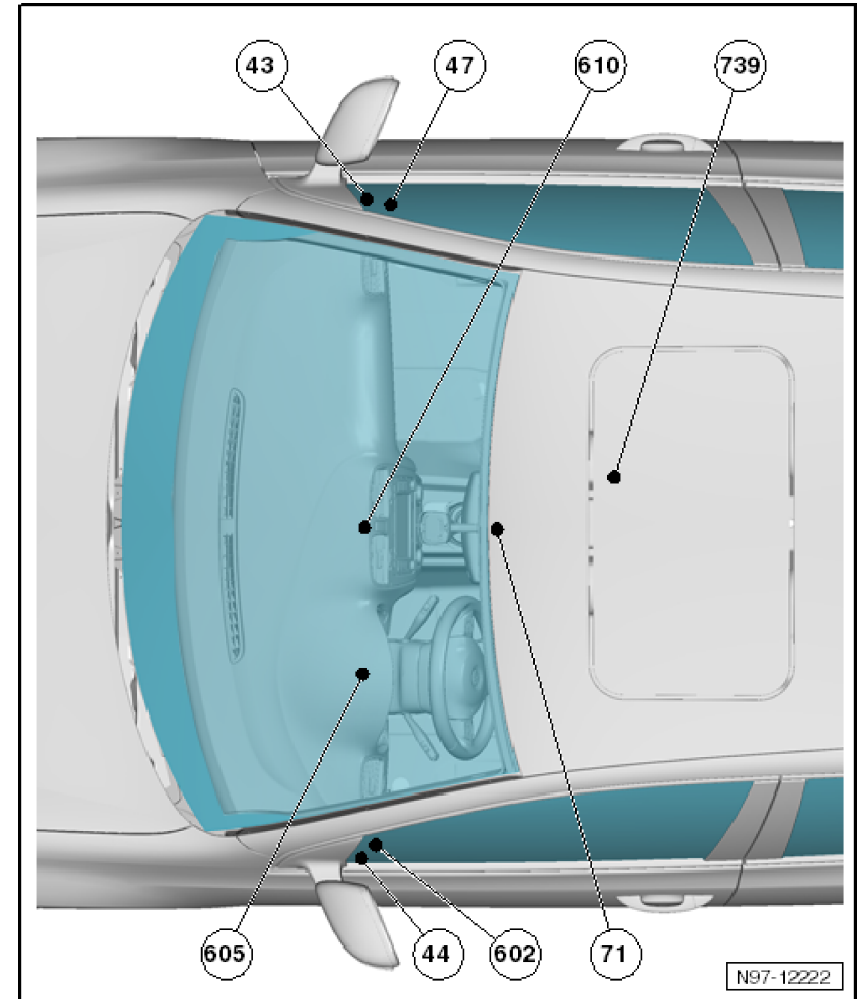
- Tightening specification: 9 Nm
- Component location: → **Anchor**

602 **Ground connection inside the left front footwell**

- Tightening specification: 9 Nm
- Component location → **Anchor**

44 **Ground connection on A-pillar, lower left**

- Tightening specification: 9 Nm
- Component location → **Anchor**

Ground connection on upper steering column

605

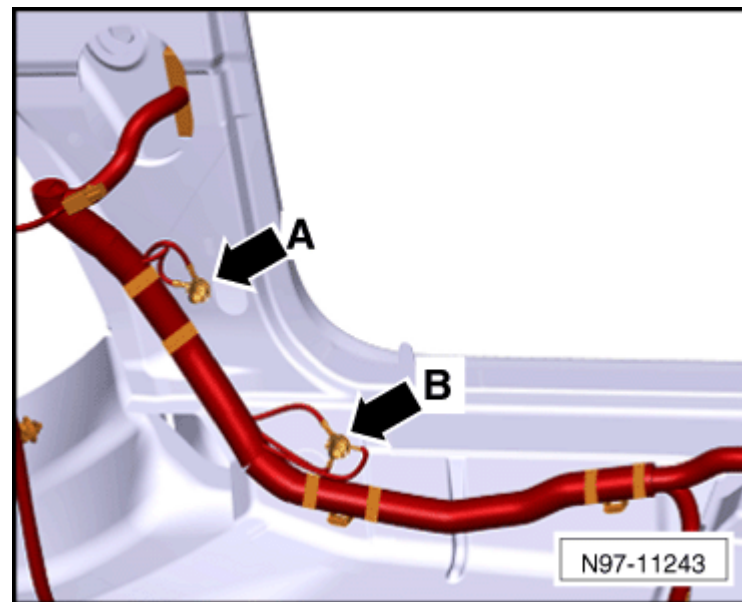
- Tightening specification: 9 Nm
- Component location → Anchor

Golf

Component Locations

No. 801 / 20

43 Ground Connection (on right lower A-pillar) -Arrow A-

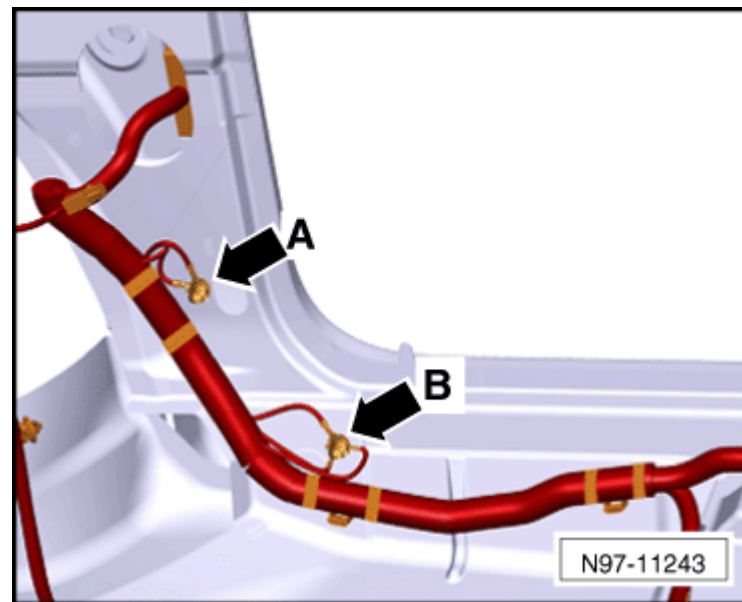


Golf

Component Locations

No. 801 / 21

47 Ground Connection (in front right footwell) -Arrow B-

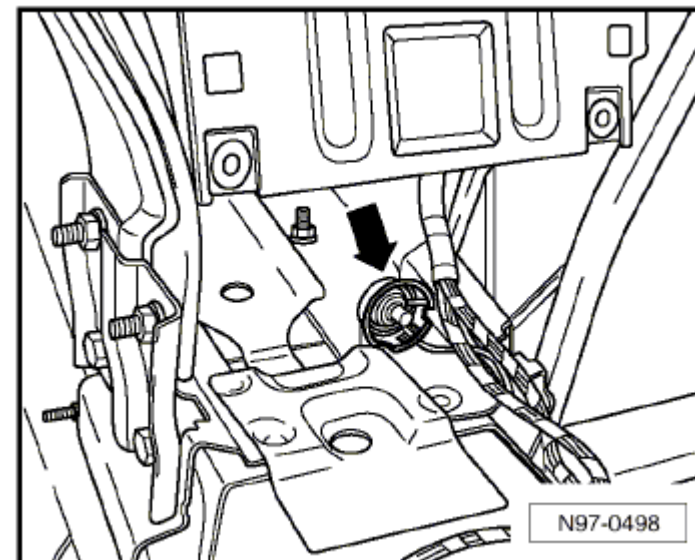


Golf

Component Locations

No. 801 / 22

610 Ground Connection (Audio) (under center console, front) -Arrow-

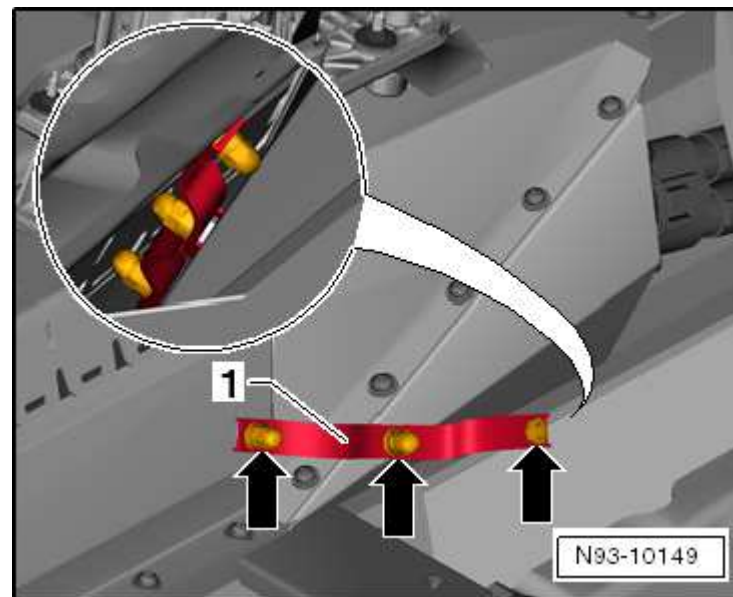


Golf

Component Locations

No. 801 / 23

739 Ground connection on the right underbody -1- , potential equalization cable -arrow- high voltage battery 1

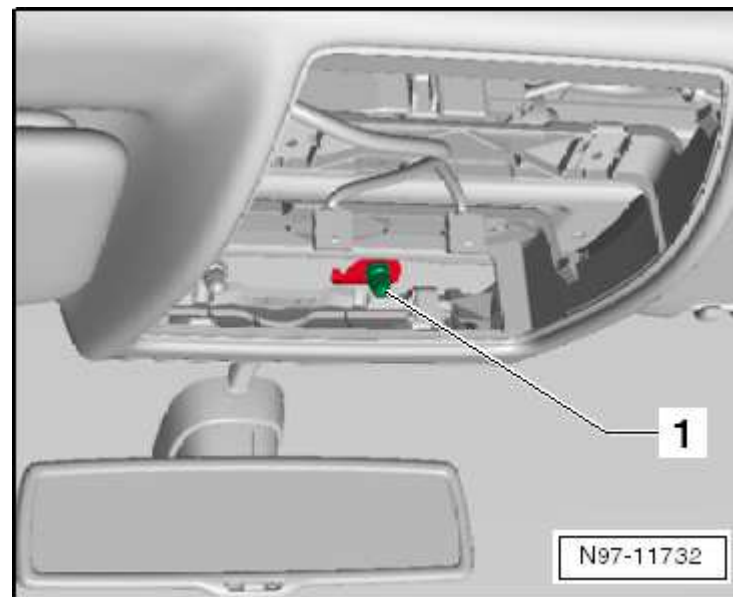


Golf

Component Locations

No. 801 / 24

71 Ground connection on front roof -1-

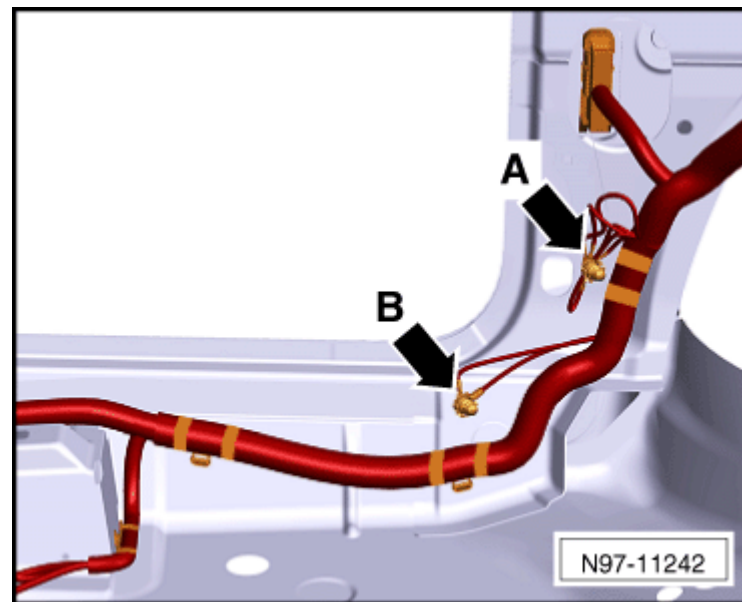


Golf

Component Locations

No. 801 / 25

602 Ground Connection (in front left footwell) -Arrow B-

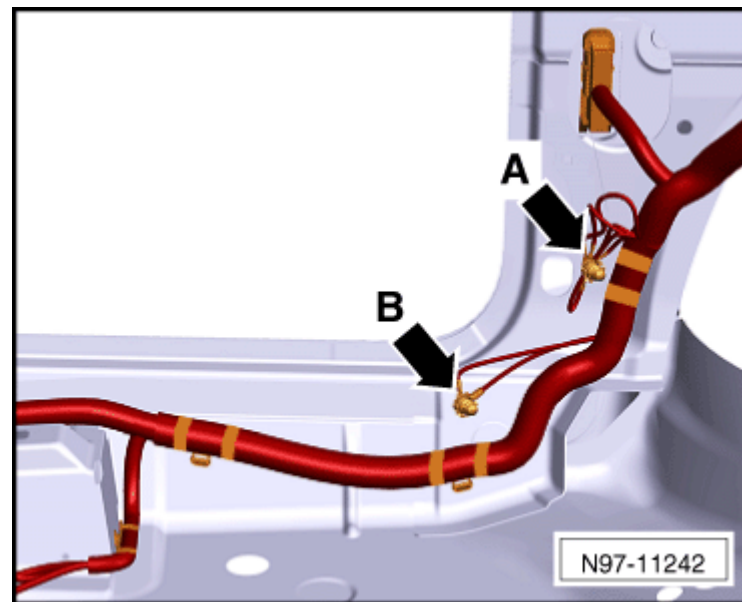


Golf

Component Locations

No. 801 / 26

44 Ground Connection (on left lower A-pillar) -Arrow A-

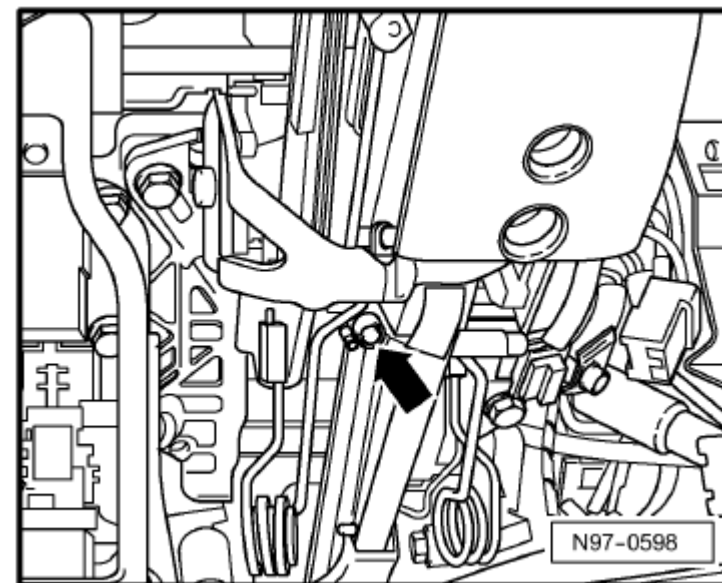


Golf

Component Locations

No. 801 / 27

605 Ground Connection (on upper steering column) -Arrow-



Golf

Component Locations

No. 801 / 28

Overview of Ground Connections in luggage compartment681 **Ground connection 1 in right rear side panel**

- Component location → Anchor
- Not used

682 **Ground connection 2 in right rear side panel**

- Component location → Anchor

53 **Ground connection in rear lid, right**

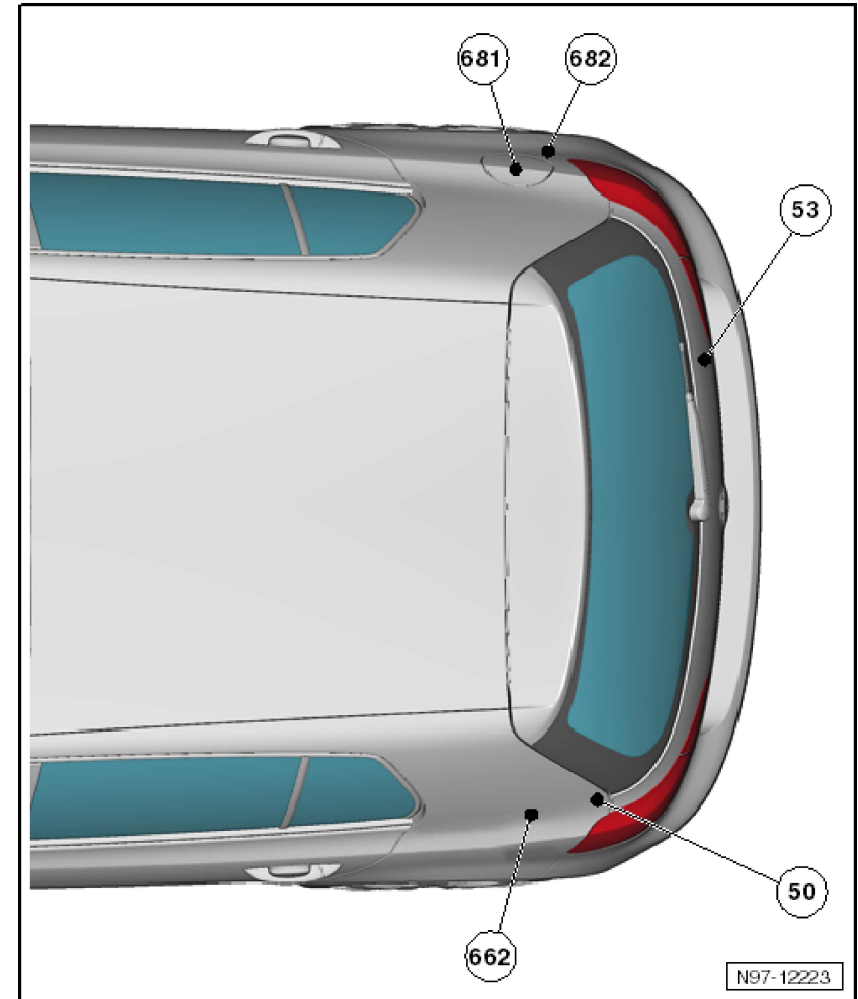
- Component location → Anchor

50 **Ground connection inside the luggage compartment on the left side**

- Tightening specification: 9 Nm
- Component location: → Anchor

662 **Ground connection inside the left rear side panel**

- Component location → Anchor



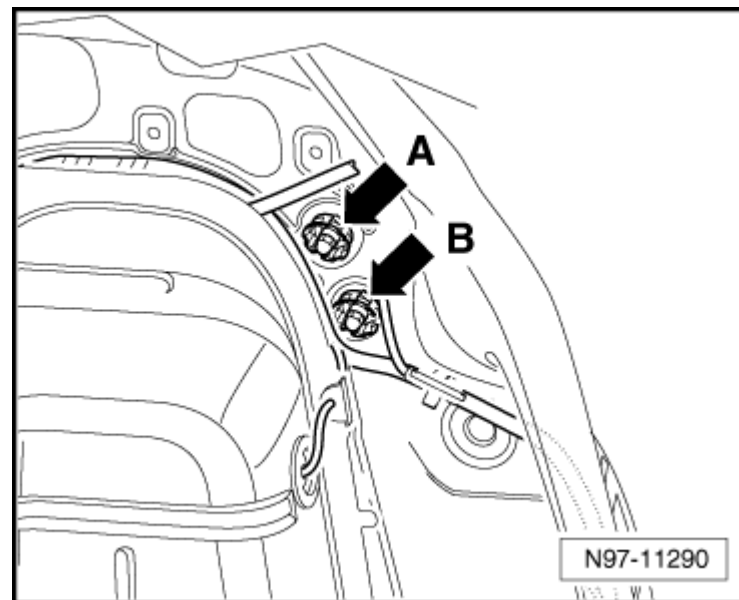
Golf

Component Locations

No. 801 / 29

681 Ground Connection 1 (in right rear side panel) -Arrow A-

Not used

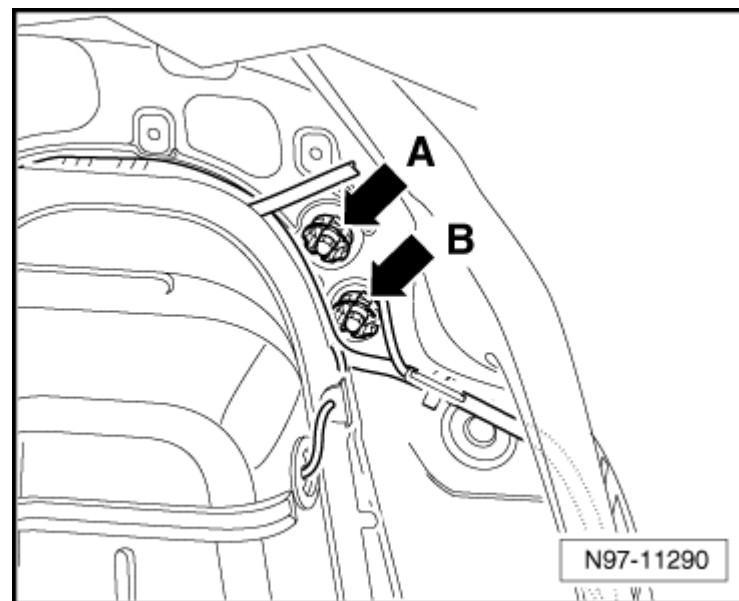


Golf

Component Locations

No. 801 / 30

682 Ground Connection 2 (in right rear side panel) -Arrow B-

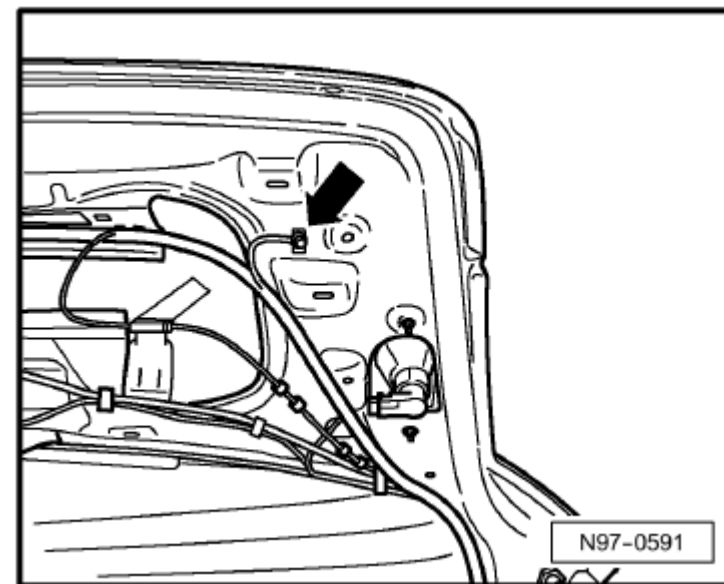


Golf

Component Locations

No. 801 / 31

53 Ground Connection (in rear lid, right) -Arrow-

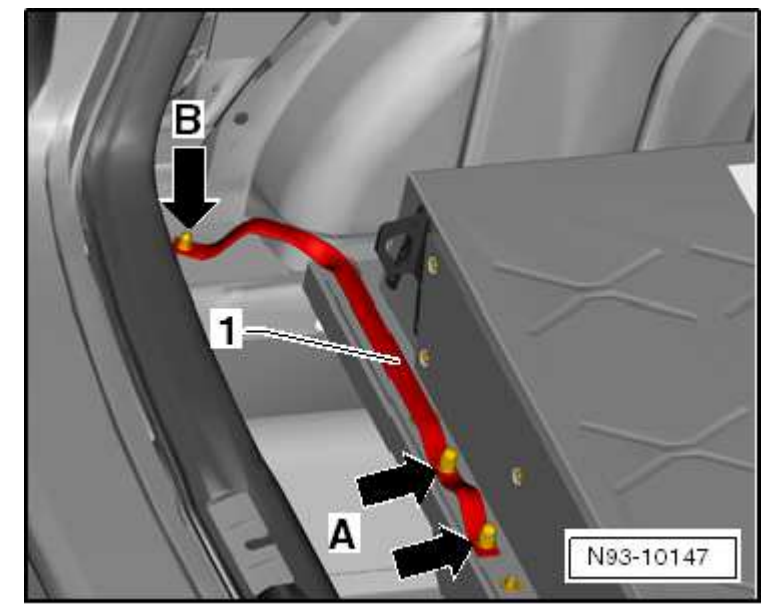


Golf

Component Locations

No. 801 / 32

50 Ground connection inside the luggage compartment on the left side -arrow B-



Golf

Component Locations

No. 801 / 33

662 Ground Connection (in left rear side panel) -arrow A-

