

## 1 Comp. Loc.: Grounds

- ◆ ⇒ [“1.1 Vehicle Front”, page 1](#)
- ◆ ⇒ [“1.2 Vehicle Cabin”, page 6](#)
- ◆ ⇒ [“1.3 Vehicle Rear”, page 10](#)

### 1.1 Vehicle Front

- ◆ ⇒ [“1.1.1 Left Front”, page 1](#)
- ◆ ⇒ [“1.1.2 Right Front”, page 3](#)
- ◆ ⇒ [“1.1.3 2.0L TFSI, DCGA”, page 4](#)
- ◆ ⇒ [“1.1.4 3.6L TFSI, CDVC”, page 5](#)
- ◆ ⇒ [“1.1.5 Transmission 09P”, page 6](#)

#### 1.1.1 Left Front

**12 - Ground connection in engine compartment, left**

- A - Tightening specification 9 Nm
- B - Tightening specification 20 Nm

**656 - Ground connection on right headlamp**

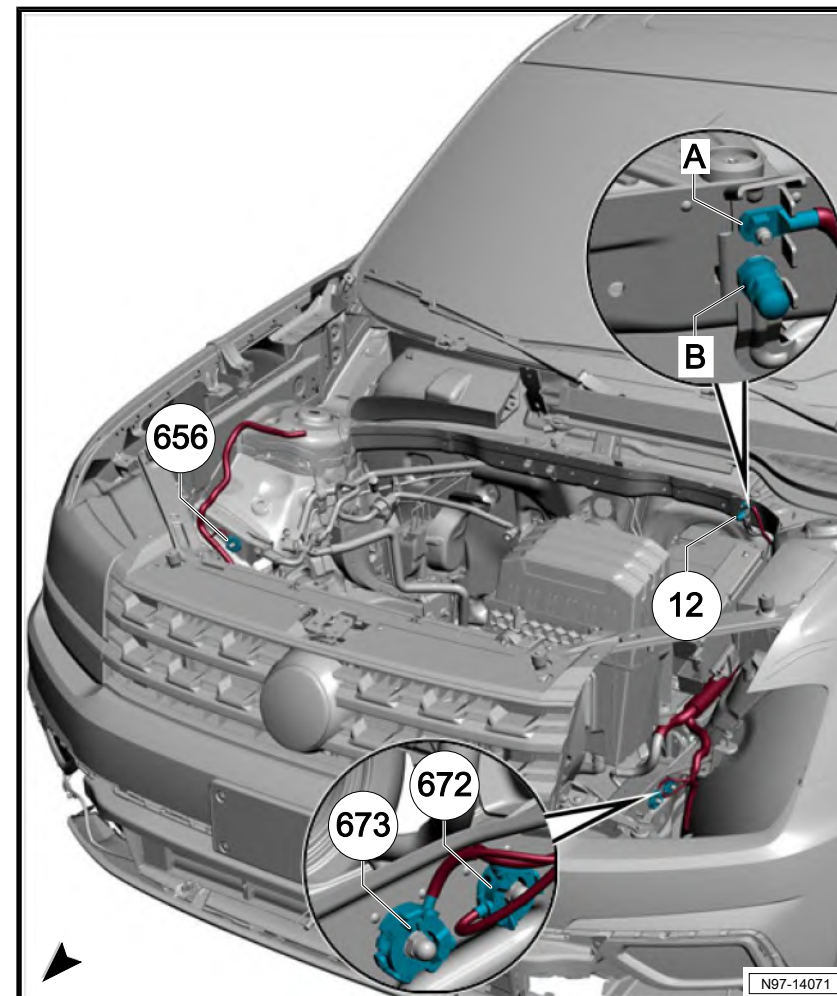
- Tightening specification 9 Nm

**672 - Ground connection 2 on left front longitudinal member**

- Tightening specification 9 Nm

**673 - Ground connection 3 on left front longitudinal member**

- Tightening specification 9 Nm



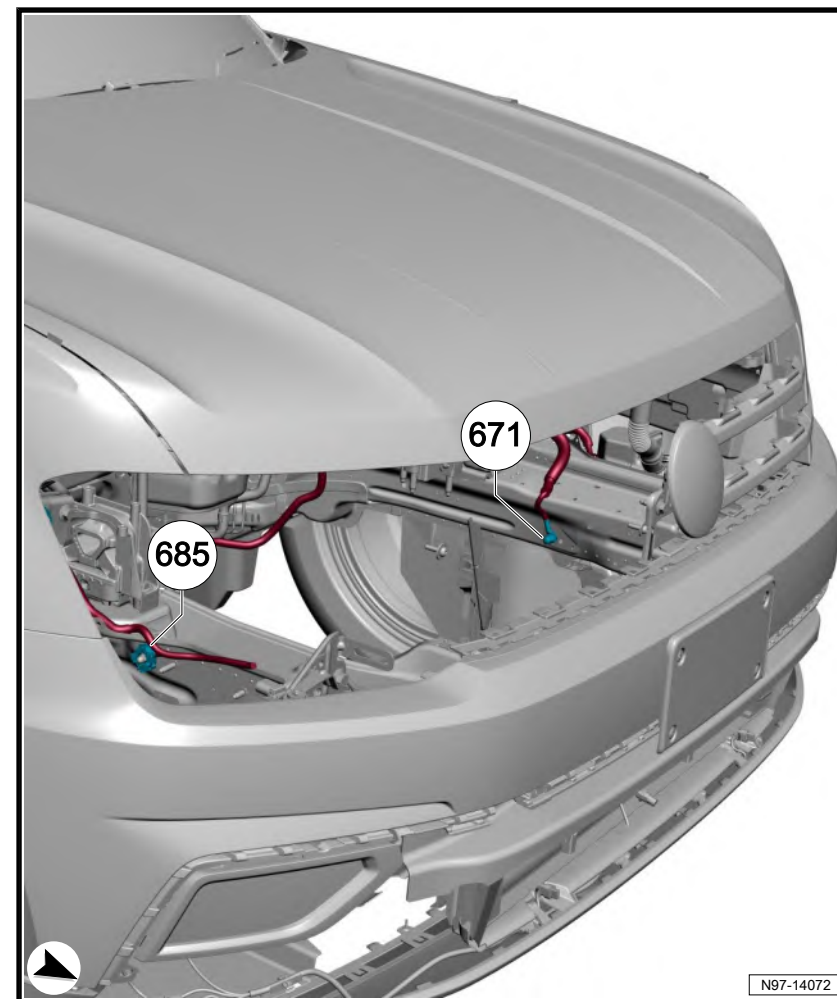
### 1.1.2 Right Front

671 - Ground connection 1 on left front longitudinal member

- Tightening specification 20 Nm

685 - Ground connection 1 on right front longitudinal member

- Tightening specification 9 Nm



1.1.3 2.0L TFSI, DCGA

**846 - Ground connection on ignition coil 1**

- Tightening specification 9 Nm

**847 - Ground connection on ignition coil 2**

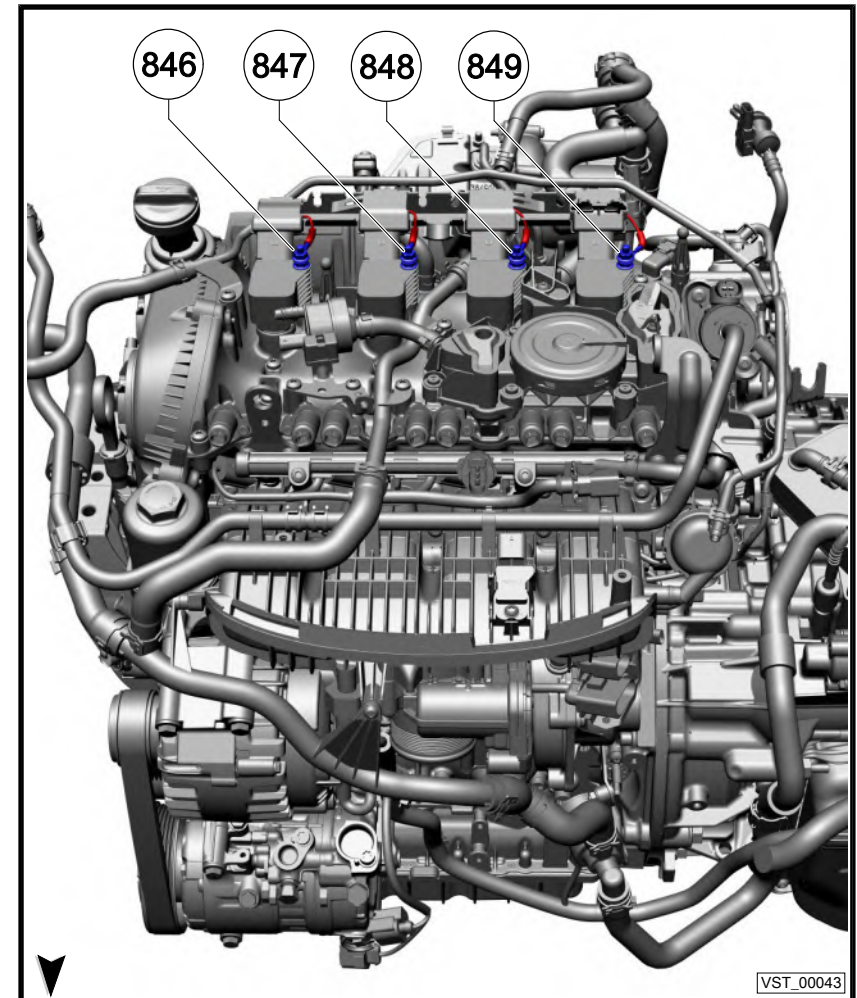
- Tightening specification 9 Nm

**848 - Ground connection on ignition coil 3**

- Tightening specification 9 Nm

**849 - Ground connection on ignition coil 4**

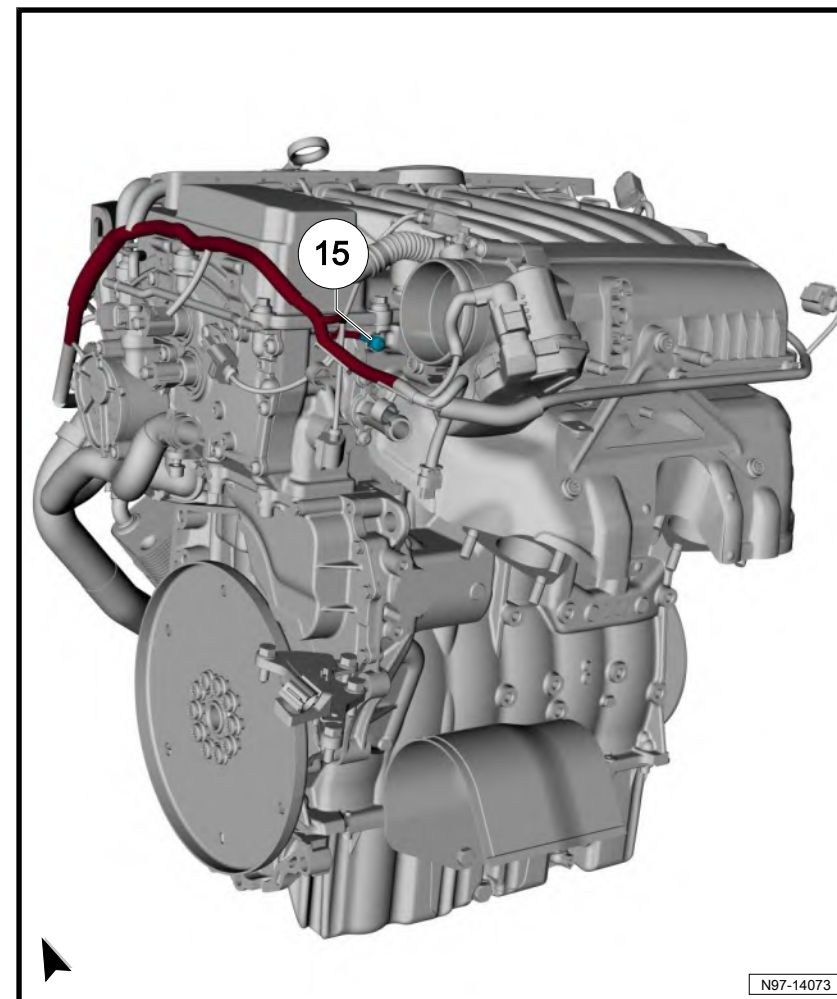
- Tightening specification 9 Nm



1.1.4 3.6L TFSI, CDVC

15 - Ground connection on cylinder head

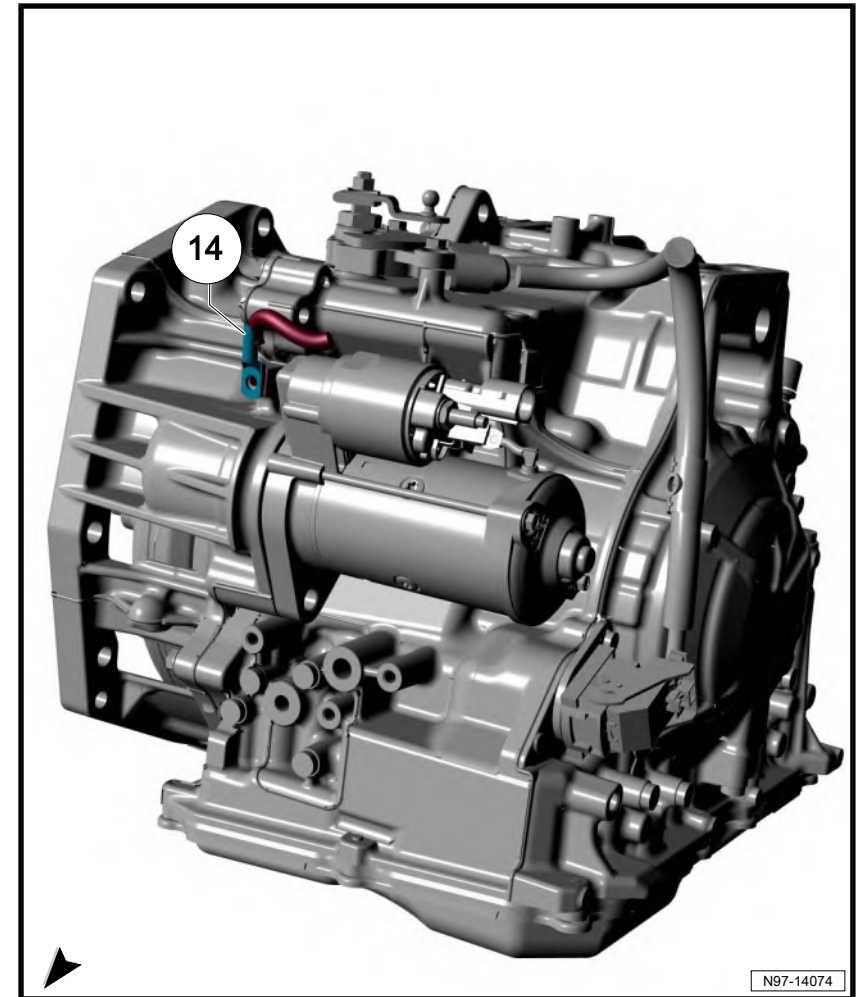
- Tightening specification 8 Nm



### 1.1.5 Transmission 09P

#### 14 - Ground connection on transmission

- Tightening specification 20 Nm



### 1.2 Vehicle Cabin

- ◆ ⇒ ["1.2.1 Cabin, Front Left", page 7](#)
- ◆ ⇒ ["1.2.2 Cabin, Front Right", page 8](#)

◆ ⇒ [“1.2.3 Cabin, Roof Front”, page 9](#)

◆ ⇒ [“1.2.4 Cabin, Passenger Seat”, page 10](#)

### 1.2.1 Cabin, Front Left

**77 - Ground connection on lower left B-pillar**

- Tightening specification 9 Nm

**79 - Ground connection on left B-pillar**

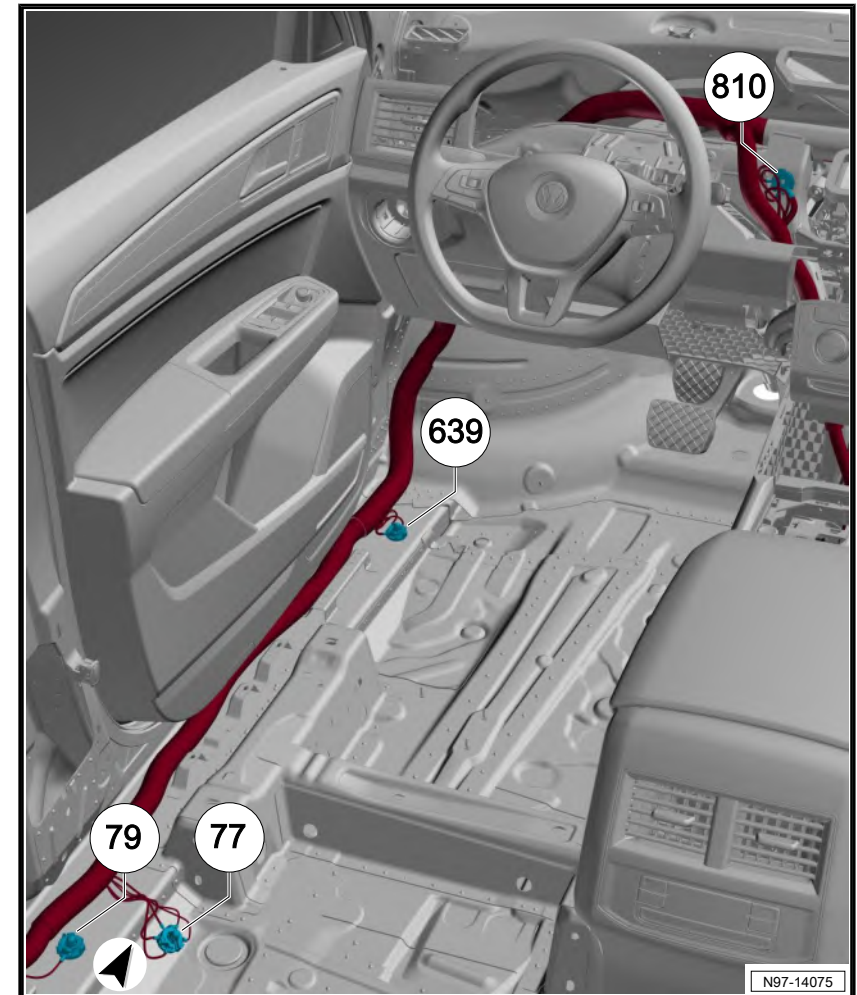
- Tightening specification 9 Nm

**639 - Ground Connection on Left A-Pillar**

- Tightening specification 9 Nm

**810 - Ground connection on left center instrument panel central tube**

- Tightening specification 9 Nm



### 1.2.2 Cabin, Front Right

**43 - Ground connection on A-pillar, lower right**

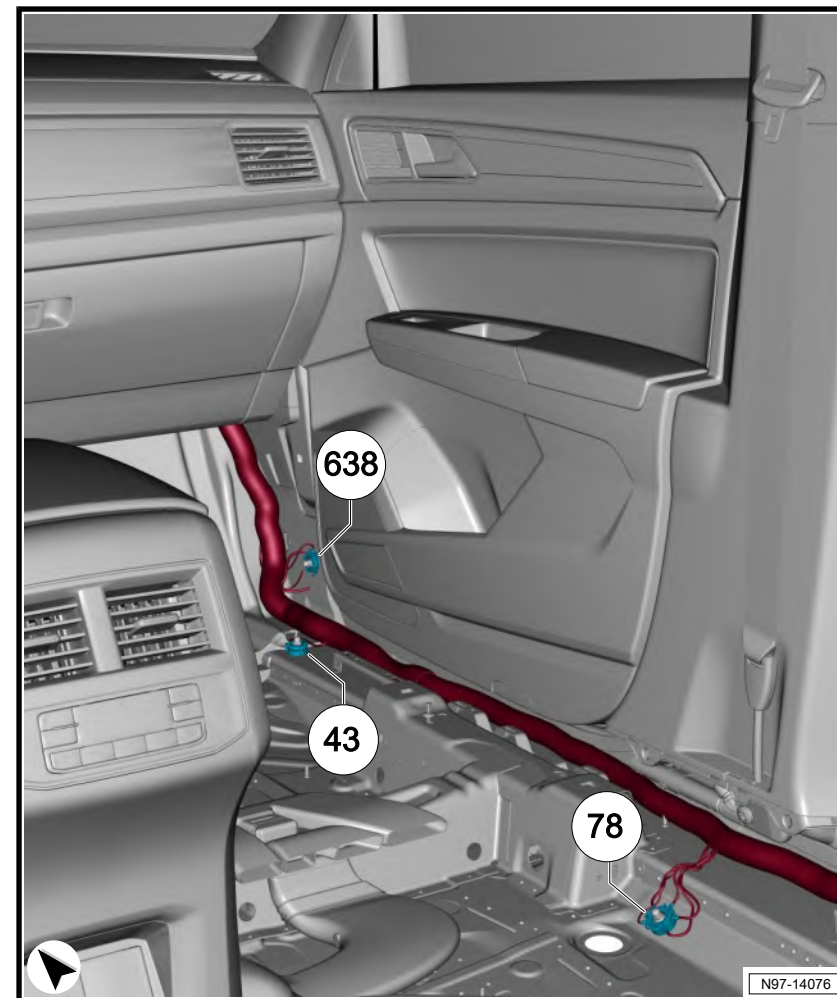
- Tightening specification 9 Nm

**78 - Ground connection on lower right B-pillar**

- Tightening specification 9 Nm

**638 - Ground connection on right A-pillar**

- Tightening specification 9 Nm





1.2.3 Cabin, Roof Front

689 - Ground connection on roof, center front

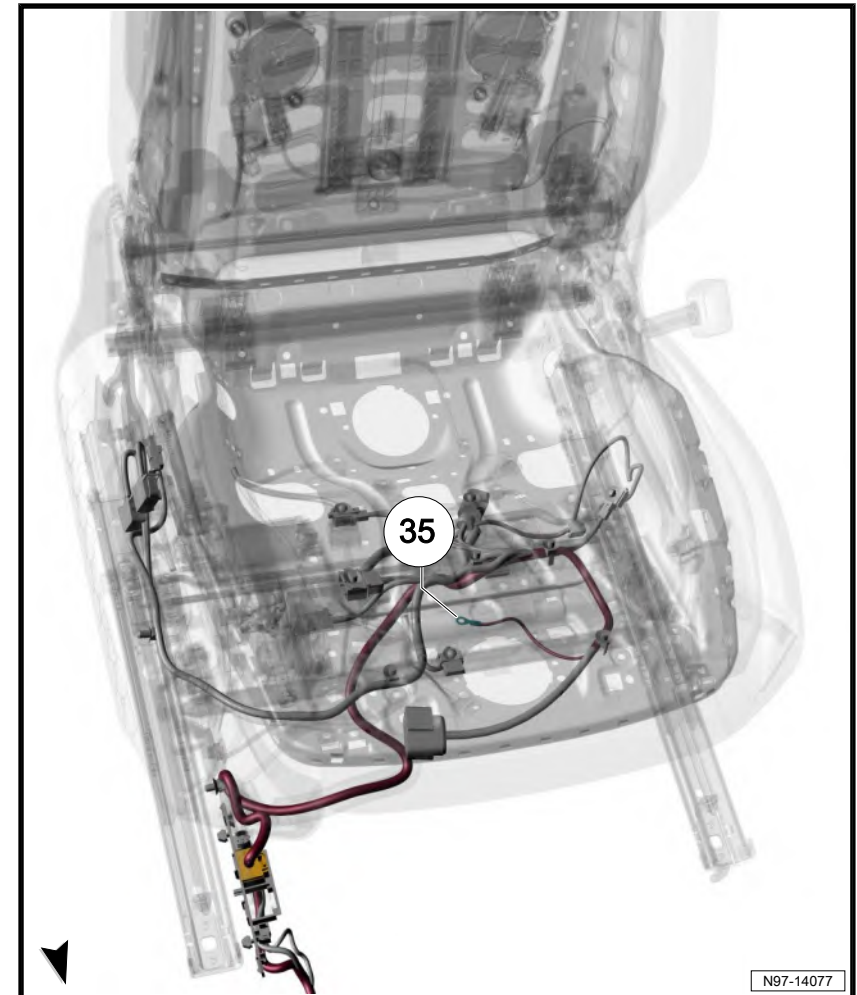
- Tightening specification 9 Nm



## 1.2.4 Cabin, Passenger Seat

### 35 - Ground connection under front passenger seat

- Tightening specification 5 Nm



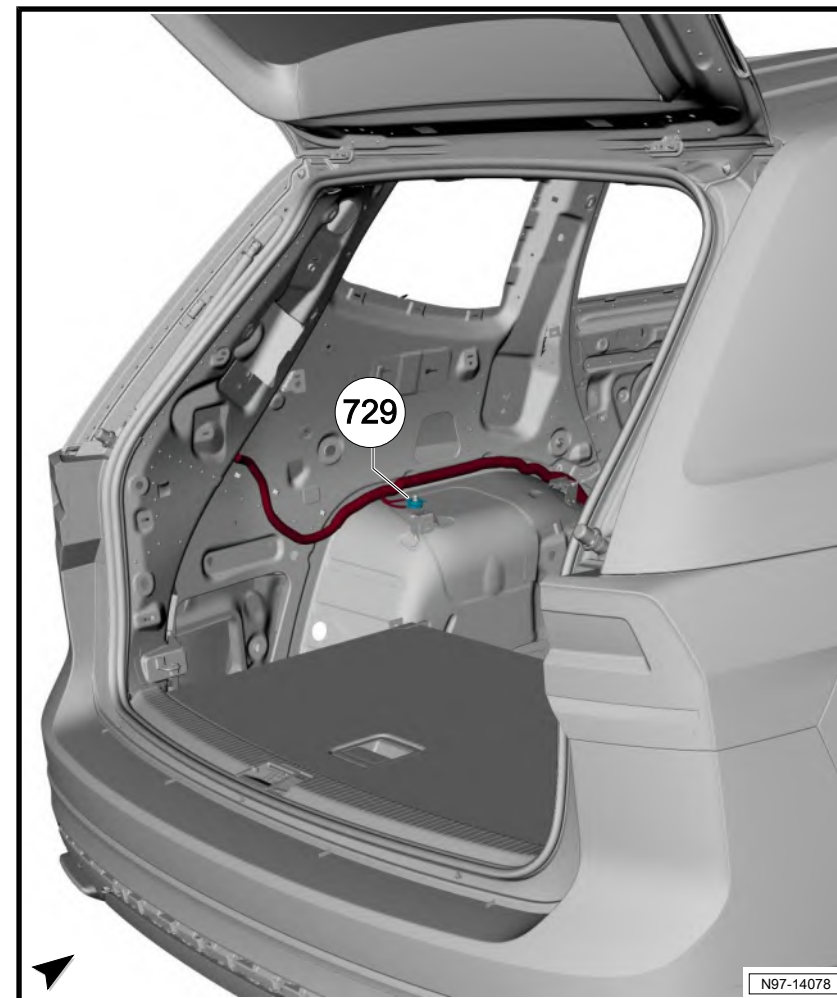
## 1.3 Vehicle Rear

- ◆ ⇒ ["1.3.1 Rear Left", page 11](#)
- ◆ ⇒ ["1.3.2 Rear Right", page 12](#)

### 1.3.1 Rear Left

#### 729 - Ground Connection on Left Rear Wheel Housing

- Tightening specification 9 Nm



### 1.3.2 Rear Right

**612 - Ground Connection in Rear Lid, Center**

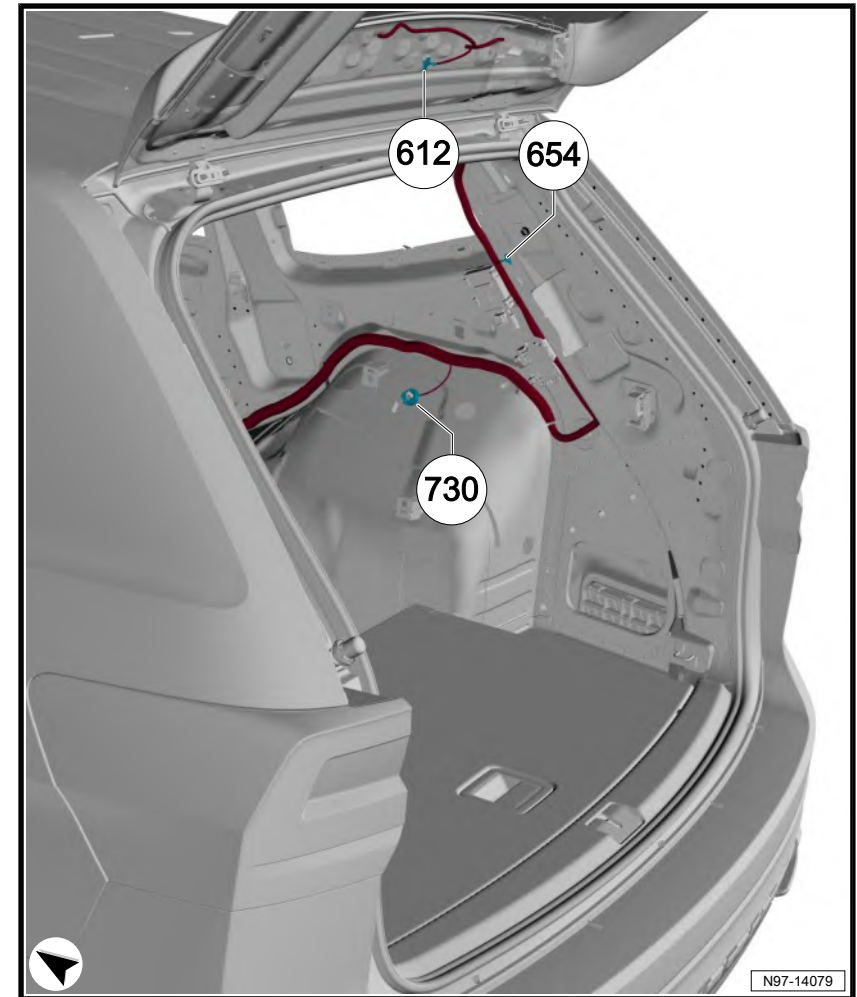
- Tightening specification 2 Nm

**654 - Ground connection on right D-pillar**

- Tightening specification 2 Nm

**730 - Ground connection 1 on right rear wheel housing**

- Tightening specification 9 Nm



## 1 Comp. Loc.: Fuses

- ◆ ⇒ [“1.2 Fuse Panel A SA , from December 2016”, page 1](#)
- ◆ ⇒ [“1.3 Multi-fuse strip on Fuse Panel B SB , from December 2016”, page 3](#)
- ◆ ⇒ [“1.4 Fuse Panel B SB , from December 2016”, page 5](#)
- ◆ ⇒ [“1.5 Fuse Panel B SB , from July 2017”, page 9](#)
- ◆ ⇒ [“1.6 Fuse Panel B SB , from August 2019”, page 14](#)
- ◆ ⇒ [“1.7 Fuse Panel C SC , from December 2016”, page 18](#)
- ◆ ⇒ [“1.8 Fuse Panel C SC , from August 2019”, page 23](#)
- ◆ ⇒ [“1.9 Single Fuses, from December 2016”, page 28](#)

### 1.1 Component Index

Component	Chapter	Comments
Fuse panel A -SA-	⇒ <a href="#">“1.2 Fuse Panel A SA , from December 2016”, page 1</a>	Only for vehicles with 180 A generator
Fuse panel B -SB-	⇒ <a href="#">“1.3 Multi-fuse strip on Fuse Panel B SB , from December 2016”, page 3</a>	Only for vehicles with 150 A generator
Fuse panel B -SB-	⇒ <a href="#">“1.4 Fuse Panel B SB , from December 2016”, page 5</a>	
Fuse panel B -SB-	⇒ <a href="#">“1.5 Fuse Panel B SB , from July 2017”, page 9</a> ⇒ <a href="#">“1.6 Fuse Panel B SB , from August 2019”, page 14</a>	
Fuse panel C -SC-	⇒ <a href="#">“1.7 Fuse Panel C SC , from December 2016”, page 18</a> ⇒ <a href="#">“1.8 Fuse Panel C SC , from August 2019”, page 23</a>	
Fuse panel 1 -ST1-	⇒ <a href="#">“1.9 Single Fuses, from December 2016”, page 28</a>	
Fuse panel 2 -ST2-	⇒ <a href="#">“1.9 Single Fuses, from December 2016”, page 28</a>	

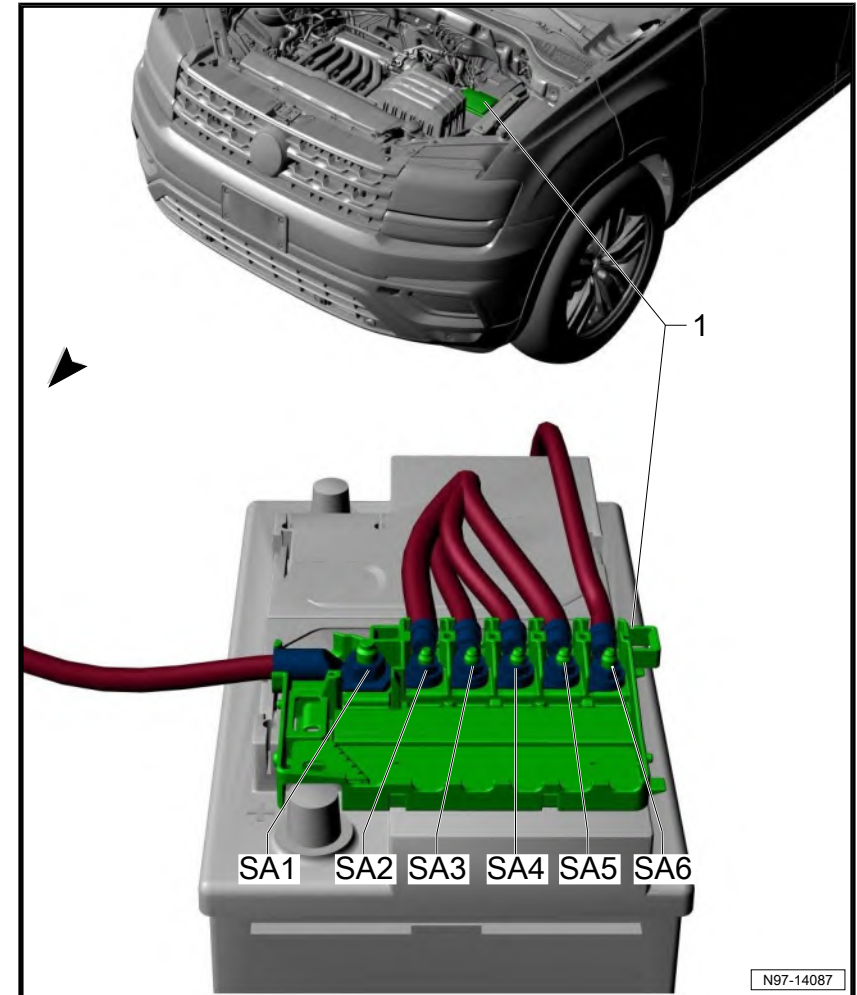
### 1.2 Fuse Panel A -SA- , from December 2016

- ◆ ⇒ [“1.2.1 Fuse Panel A SA , from December 2016”, page 1](#)
- ◆ ⇒ [“1.2.2 Fuse Panel A SA Assignment, from December 2016”, page 2](#)

#### 1.2.1 Fuse Panel A -SA- , from December 2016

**1 - Fuse panel A -SA-**

- Only for vehicles with 180 A generator



Return to overview ⇒ [page 1](#)

**1.2.2 Fuse Panel A -SA- Assignment, from December 2016**

Fuse location	Designation in Wiring Diagram	Nominal Value	Function/Component	Terminal
SA1	Fuse 1 (On Fuse Panel A) -SA1-	400 A	Generator with voltage regulator -CX1-	30
SA2	Not used	-	-	-

Fuse location	Designation in Wiring Diagram	Nominal Value	Function/Component	Terminal
SA3	Fuse 3 (on Fuse Panel A) -SA3-	100 A	Radiator fan -VX57-	30
SA4	Fuse 4 (on fuse panel A) -SA4-	80 A	Fuses Supply: Fuse 3 (on fuse panel C) -SC3- Fuse 15 (On Fuse Panel C) -SC15- - Fuse 19 (On Fuse Panel C) -SC19- Fuse 21 (On Fuse Panel C) -SC21- Fuse 23 (On Fuse Panel C) -SC23- - Fuse 28 (On Fuse Panel C) -SC28- Fuse 30 (on fuse panel C) -SC30- Fuse 43 (On Fuse Panel C) -SC43- - Fuse 45 (On Fuse Panel C) -SC45- Fuse 50 (on fuse panel C) -SC50-	30
SA5	Fuse 5 (on fuse panel A) -SA5-	125 A	Fuses Supply: Fuse 4 (On Fuse Panel C) -SC4- - Fuse 12 (On Fuse Panel C) -SC12- Fuse 14 (on fuse panel C) -SC14- Fuse 22 (on fuse panel C) -SC22- Fuse 38 (On Fuse Panel C) -SC38- - Fuse 40 (On Fuse Panel C) -SC40- <sup>1)</sup> Fuse 42 (on fuse panel C) -SC42- Fuse 46 (on fuse panel C) -SC46- Fuse 51 (on fuse panel C) -SC51- Fuse 53 (on fuse panel C) -SC53- Sockets relay -J807- Power supply relay terminal 15 -J329- Front passenger power seat adjustment circuit breaker 1 -S46- Trailer circuit breaker -S87-	30
SA6	Fuse 6 (on fuse panel A) -SA6-	80 A	Power steering control module -J500-	30

<sup>1)</sup> Supply by terminal 30 possible

[Return to overview ⇒ page 1](#)

### 1.3 Multi-fuse strip on Fuse Panel B -SB- , from December 2016

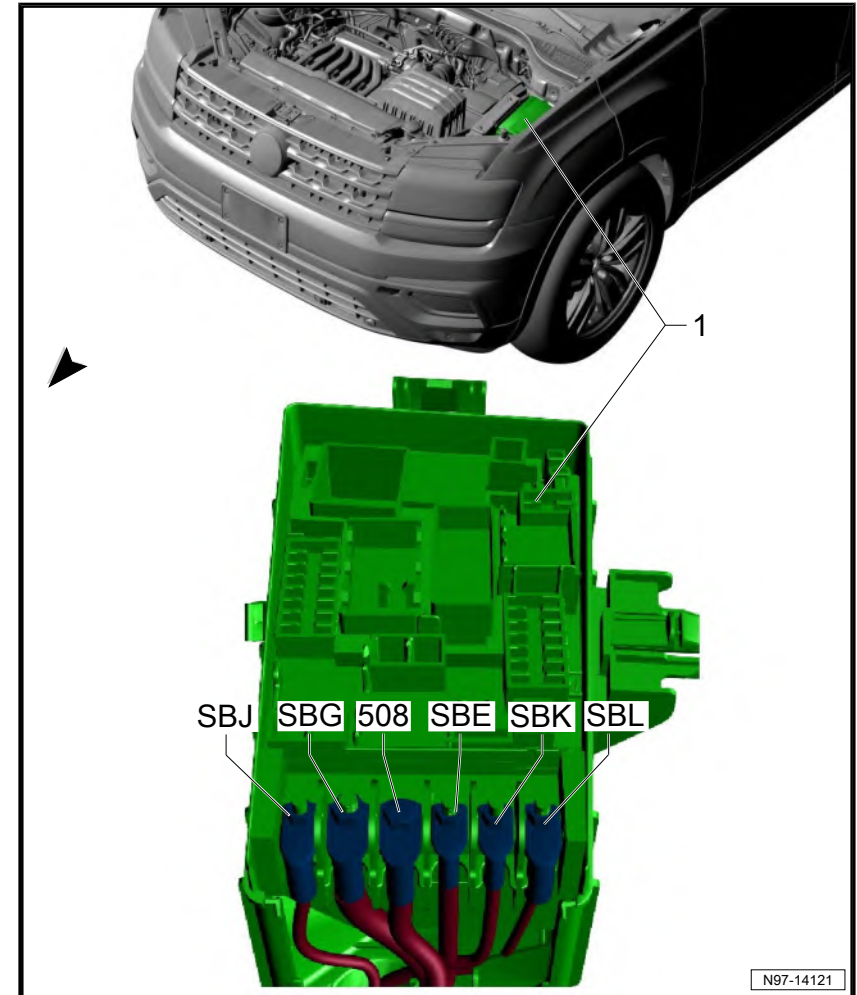
◆ ⇒ [“1.3.1 Multi-fuse strip on Fuse Panel B SB , from December 2016”, page 3](#)

◆ ⇒ [“1.3.2 Multi-fuse strip assignment on Fuse Panel B SB , from December 2016”, page 4](#)

#### 1.3.1 Multi-fuse strip on Fuse Panel B -SB- , from December 2016

**1 - Fuse panel B -SB-**

- ❑ Only for vehicles with 150 A generator



Volkswagen Technical Site: <https://vwts.ru>

Return to overview ⇒ [page 1](#)

**1.3.2 Multi-fuse strip assignment on Fuse Panel B -SB- , from December 2016**

Fuse location	Designation in Wiring Diagram	Nominal Value	Function/Component	Terminal
SBJ	Fuse J (On Fuse Panel B) -SBJ-	125 A	Fuses Supply: Fuse 4 (On Fuse Panel C) -SC4- - Fuse 12 (On Fuse Panel C) -SC12-	30



Fuse location	Designation in Wiring Diagram	Nominal Value	Function/Component	Terminal
			Fuse 14 (on fuse panel C) -SC14- Fuse 22 (on fuse panel C) -SC22- Fuse 38 (On Fuse Panel C) -SC38- Fuse 40 (On Fuse Panel C) -SC40- Fuse 42 (on fuse panel C) -SC42- Fuse 46 (on fuse panel C) -SC46- Fuse 51 (on fuse panel C) -SC51- Fuse 53 (on fuse panel C) -SC53- Sockets relay -J807- Power supply relay terminal 15 -J329- Front passenger power seat adjustment circuit breaker 1 -S46- Trailer circuit breaker -S87-	
SBG	Fuse G (On Fuse Panel B) -SBG-	400 A	Generator with voltage regulator -CX1-	30
508	<span style="border: 1px solid black; border-radius: 50%; padding: 2px;">508</span> Threaded Connection - terminal 30 (on electronics box)	-	Battery -A-	30
SBE	Fuse E (On Fuse Panel B) -SBE-	80 A	Power steering control module -J500-	30
SBK	Fuse K (On Fuse Panel B) -SBK-	80 A	Fuses Supply: Fuse 3 (on fuse panel C) -SC3- Fuse 15 (On Fuse Panel C) -SC15- - Fuse 19 (On Fuse Panel C) -SC19- Fuse 21 (On Fuse Panel C) -SC21- Fuse 23 (On Fuse Panel C) -SC23- - Fuse 28 (On Fuse Panel C) -SC28- Fuse 30 (on fuse panel C) -SC30- Fuse 43 (On Fuse Panel C) -SC43- - Fuse 45 (On Fuse Panel C) -SC45- Fuse 50 (on fuse panel C) -SC50-	30
SBL	Fuse L (On Fuse Panel B) -SBL-	80 A	Radiator fan -VX57-	30

Return to overview ⇒ [page 1](#)

## 1.4 Fuse Panel B -SB- , from December 2016

- ◆ ⇒ [“1.4.1 Fuse Panel B SB , from December 2016”, page 5](#)
- ◆ ⇒ [“1.4.2 Fuse Panel B SB Assignment, from December 2016”, page 6](#)

### 1.4.1 Fuse Panel B -SB- , from December 2016

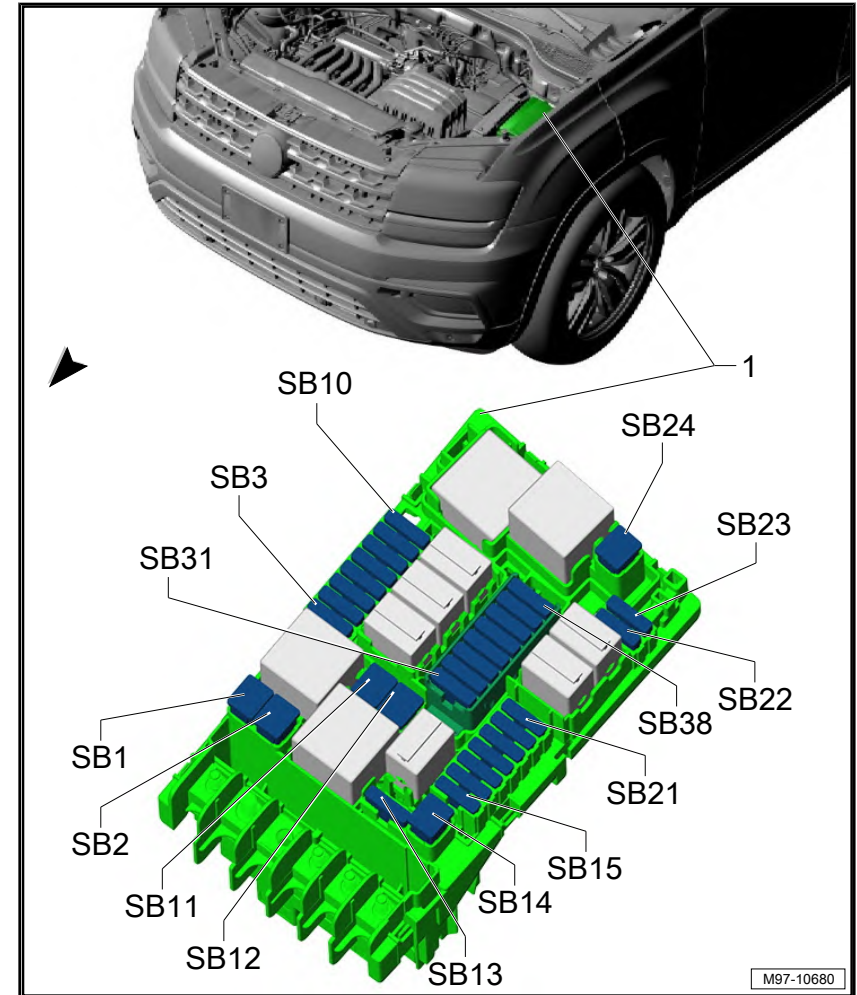
1 - Fuse panel B -SB-

Fuse colors, for the J-Case fuse:

- ◆ 50 A - red
- ◆ 40 A - green
- ◆ 30 A - pink

Fuse colors, for the ATO flat fuse:

- ◆ 40 A - orange
- ◆ 30 A - light green
- ◆ 25 A - natural (white)
- ◆ 20 A - yellow
- ◆ 15 A - light blue
- ◆ 10 A - red
- ◆ 7.5 A - brown
- ◆ 5 A - light brown
- ◆ 1 A - black



Return to overview ⇒ [page 1](#)

1.4.2 Fuse Panel B -SB- Assignment, from December 2016

Fuse location	Designation in Wiring Diagram	Nominal Value	Function/Component	Terminal
SB1	Fuse 1 (On Fuse Panel B) -SB1-	40 A	ABS control module -J104-	30
SB2	Fuse 2 (on fuse panel B) -SB2-	60 A	ABS control module -J104-	30

Fuse location	Designation in Wiring Diagram	Nominal Value	Function/Component	Terminal
SB3	Fuse 3 (on fuse panel B) -SB3-	15 A	Engine control module -J623-	87
SB4	Fuse 4 (on fuse panel B) -SB4-	10 A	Fuel tank leak detection control module -J909- Radiator fan -VX57- ♦ Radiator fan control module -J293- ♦ Radiator fan -V7- Oil level thermal sensor -G266- Coolant shut-off valve -N82- Camshaft adjustment valve 1 -N205- Coolant circulation valve -N214- Intake manifold runner control valve -N316- Exhaust camshaft adjustment valve 1 -N318- EVAP canister purge regulator valve 1 -N80-	87
SB5	Fuse 5 (on fuse panel B) -SB5-	10 A	Engine component power supply relay -J757- Cylinder 1 exhaust cam actuator A -N580- Cylinder 1 exhaust cam actuator B -N581- Cylinder 2 exhaust cam actuator B -N589- Cylinder 2 exhaust cam actuator A -N588- Cylinder 3 exhaust cam actuator A -N596- Cylinder 3 exhaust cam actuator B -N597- Cylinder 4 exhaust cam actuator B -N605- Cylinder 4 exhaust cam actuator A -N604-	87
SB6	Fuse 6 (on fuse panel B) -SB6-	5 A	Brake Lamp Switch -F-	87
SB7	Fuse 7 (on fuse panel B) -SB7-	15 A	Radiator shutter motor -V544- Heater support pump -V488- Cylinder block coolant valve -N545- Positive crankcase ventilation heating element -N79- Coolant recirculation pump -V50-	87
SB8	Fuse 8 (on fuse panel B) -SB8-	15 A	Oxygen sensor 1 after catalytic converter -GX7- ♦ Heater for oxygen sensor 1 after catalytic converter -Z29- Oxygen sensor 2 after catalytic converter -GX8- ♦ Heater for oxygen sensor 2 after catalytic converter -Z30-	87
SB9	Fuse 9 (on fuse panel B) -SB9-	20 A	Ignition coil 1 with power output stage -N70-	87

Fuse location	Designation in Wiring Diagram	Nominal Value	Function/Component	Terminal
			Ignition coil 2 with power output stage -N127- Ignition coil 3 with power output stage -N291- Ignition coil 4 with power output stage -N292- Ignition coil 5 with power output stage -N323- Ignition coil 6 with power output stage -N324-	
SB10	Fuse 10 (On Fuse Panel B) -SB10-	20 A	Fuel pump control module -J538-	87
SB11	Not used	-	-	-
SB12	Not used	-	-	-
SB13	Fuse 13 (on fuse panel B) -SB13-	30 A	Transmission control module -J217-	30
SB14	Fuse 14 (on fuse panel B) -SB14-	40 A	Windshield defogger relay -J47-	30
SB15	Fuse 15 (on fuse panel B) -SB15-	15 A	Horn relay -J413-	30
SB16	Fuse 16 (on fuse panel B) -SB16-	20 A	Engine component power supply relay -J757-	30
SB17	Fuse 17 (on fuse panel B) -SB17-	7.5 A	ABS control module -J104- Engine control module -J623- Motronic engine control module power supply relay -J271-	30
SB18	Fuse 18 (on fuse panel B) -SB18-	5 A	Battery monitoring control module -J367-	30
SB19	Fuse 19 (on fuse panel B) -SB19-	30 A	Wiper motor relay 1 -J368- Wiper motor relay 2 -J369-	30
SB20	Fuse 20 (on fuse panel B) -SB20-	10 A	Garage door opener control module -J530-	30
SB21	Not used	-	-	-
SB22	Fuse 22 (on fuse panel B) -SB22-	5 A	Engine control module -J623-	50
SB23	Fuse 23 (on fuse panel B) -SB23-	30 A	Starter -B-	50
SB24	Not used	-		-
SB25	Not used	-		-
SB26	Not used	-		-
SB27	Not used	-		-
SB28	Not used	-		-
SB29	Not used	-		-
SB30	Not used	-		-
SB31	Not used	-		-
SB32	Not used	-		-
SB33	Not used	-		-

Fuse location	Designation in Wiring Diagram	Nominal Value	Function/Component	Terminal
SB34	Not used	-		-
SB35	Not used	-		-
SB36	Not used	-		-
SB37	Fuse 37 (on fuse panel B) -SB37-	20 A	Auxiliary heater control module -J364-	30
SB38	Not used	-		-

Return to overview ⇒ [page 1](#)

## 1.5 Fuse Panel B -SB- , from July 2017

- ◆ ⇒ [“1.5.1 Fuse Panel B SB , from July 2017”, page 9](#)
- ◆ ⇒ [“1.5.2 Fuse Panel B SB Assignment, from July 2017”, page 10](#)

### 1.5.1 Fuse Panel B -SB- , from July 2017

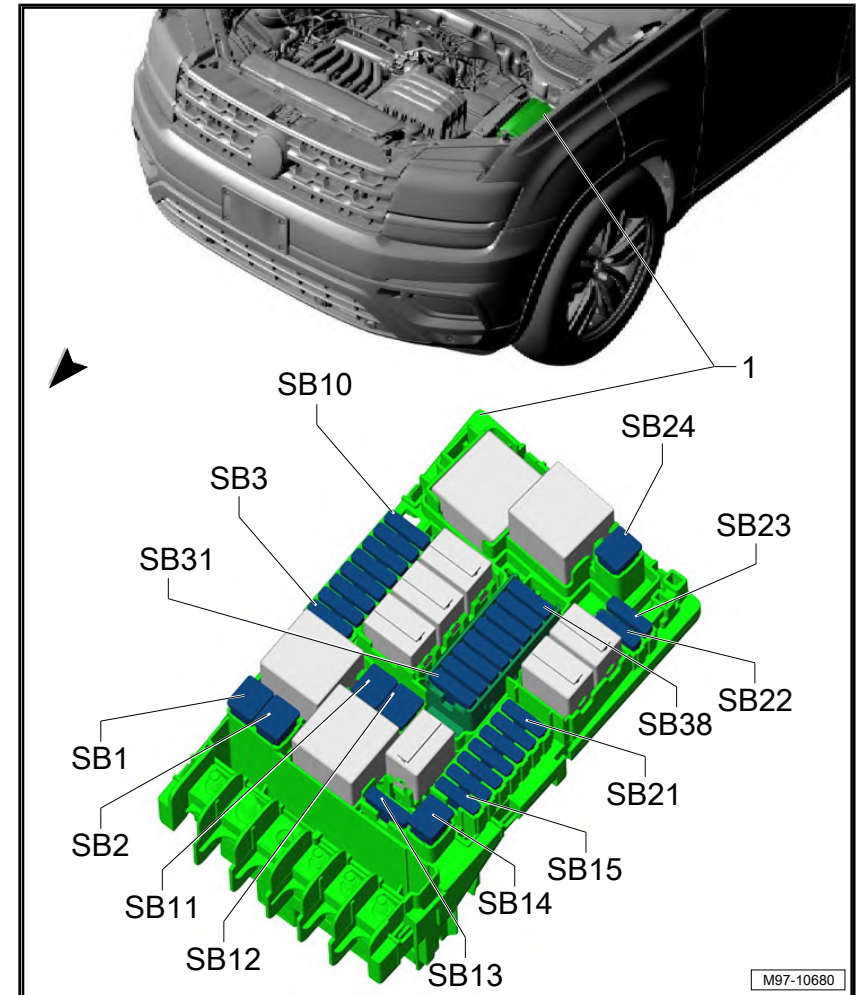
1 - Fuse panel B -SB-

Fuse colors, for the J-Case fuse:

- ◆ 50 A - red
- ◆ 40 A - green
- ◆ 30 A - pink

Fuse colors, for the ATO flat fuse:

- ◆ 40 A - orange
- ◆ 30 A - light green
- ◆ 25 A - natural (white)
- ◆ 20 A - yellow
- ◆ 15 A - light blue
- ◆ 10 A - red
- ◆ 7.5 A - brown
- ◆ 5 A - light brown
- ◆ 1 A - black



Return to overview ⇒ [page 1](#)

1.5.2 Fuse Panel B -SB- Assignment, from July 2017

Fuse location	Designation in Wiring Diagram	Nominal Value	Function/Component	Terminal
SB1	Fuse 1 (On Fuse Panel B) -SB1-	40 A	ABS control module -J104-	30
SB2	Fuse 2 (on fuse panel B) -SB2-	60 A	ABS control module -J104-	30

Fuse location	Designation in Wiring Diagram	Nominal Value	Function/Component	Terminal
SB3	Fuse 3 (on fuse panel B) -SB3-	15 A	Engine control module -J623-	87
SB4	Fuse 4 (on fuse panel B) -SB4-	10 A	Fuel Tank Leak Detection Control Module -J909- <sup>2)</sup> Radiator fan -VX57- ♦ Radiator fan control module -J293- ♦ Radiator fan -V7-  Oil level thermal sensor -G266- Coolant Shut-Off Valve -N82- <sup>2)</sup> Camshaft Adjustment Valve 1 -N205- <sup>2)</sup> Coolant Circulation Valve -N214- <sup>2)</sup> Intake manifold runner control valve -N316- Exhaust Camshaft Adjustment Valve 1 -N318- <sup>2)</sup> Turbocharger Recirculation Valve -N249- <sup>1)</sup> Oil Pressure Regulation Valve -N428- <sup>1)</sup> Piston Cooling Nozzle Control Valve -N522- <sup>1)</sup> EVAP Canister Purge Regulator Valve 1 -N80- <sup>2)</sup>	87
SB5	Fuse 5 (on fuse panel B) -SB5-	10 A	Cylinder 1 Exhaust Cam Actuator A -N580- <sup>1)</sup> Cylinder 1 Exhaust Cam Actuator B -N581- <sup>1)</sup> Cylinder 2 Exhaust Cam Actuator B -N589- <sup>1)</sup> Cylinder 2 Exhaust Cam Actuator A -N588- <sup>1)</sup> Cylinder 3 Exhaust Cam Actuator A -N596- <sup>1)</sup> Cylinder 3 Exhaust Cam Actuator B -N597- <sup>1)</sup> Cylinder 4 Exhaust Cam Actuator B -N605- <sup>1)</sup> Cylinder 4 Exhaust Cam Actuator A -N604- <sup>1)</sup> Engine component power supply relay -J757-	87
SB6	Fuse 6 (on fuse panel B) -SB6-	5 A	Brake Lamp Switch -F-	87
SB7	Fuse 7 (on fuse panel B) -SB7-	15 A	Radiator shutter motor -V544- Fuel Tank Leak Detection Control Module -J909- <sup>1)</sup> Heater Support Pump -V488- <sup>2)</sup> Transmission Coolant Valve -N488- <sup>2)</sup> Positive Crankcase Ventilation Heating Element -N79- <sup>2)</sup>	87

Fuse location	Designation in Wiring Diagram	Nominal Value	Function/Component	Terminal
			Coolant Recirculation Pump -V50- <sup>2)</sup>	
SB8	Fuse 8 (on fuse panel B) -SB8-	15 A	Oxygen sensor 1 after catalytic converter -GX7- ♦ Heater for oxygen sensor 1 after catalytic converter -Z29-  Oxygen Sensor 1 Before Catalytic Converter -GX10- <sup>1)</sup> ♦ Oxygen sensor heater -Z19-  Oxygen Sensor 2 after Catalytic Converter -GX8- <sup>2)</sup> ♦ Heater for oxygen sensor 2 after catalytic converter -Z30-	87
SB9	Fuse 9 (on fuse panel B) -SB9-	20 A	Ignition Coil 1 with Power Output Stage -N70- <sup>2)</sup> Ignition Coil 2 with Power Output Stage -N127- <sup>2)</sup> Ignition Coil 3 with Power Output Stage -N291- <sup>2)</sup> Ignition Coil 4 with Power Output Stage -N292- <sup>2)</sup> Ignition Coil 5 with Power Output Stage -N323- <sup>2)</sup> Ignition Coil 6 with Power Output Stage -N324- <sup>2)</sup> Heater Support Pump -V488- <sup>1)</sup> EVAP Canister Purge Regulator Valve 1 -N80- <sup>1)</sup> Camshaft Adjustment Valve 1 -N205- <sup>1)</sup> Exhaust Camshaft Adjustment Valve 1 -N318- <sup>1)</sup>	87
SB10	Fuse 10 (On Fuse Panel B) -SB10-	20 A	Fuel pump control module -J538-	87
SB11	Not used	-	-	-
SB12	Not used	-	-	-
SB13	Fuse 13 (on fuse panel B) -SB13-	30 A	Transmission control module -J217-	30
SB14	Fuse 14 (on fuse panel B) -SB14-	40 A	Windshield defogger relay -J47-	30
SB15	Fuse 15 (on fuse panel B) -SB15-	15 A	Horn relay -J413-	30
SB16	Fuse 16 (on fuse panel B) -SB16-	20 A	Engine Component Power Supply Relay -J757- <sup>1)</sup> Ignition Coil 1 with Power Output Stage -N70- <sup>1)</sup> Ignition Coil 2 with Power Output Stage -N127- <sup>1)</sup> Ignition Coil 3 with Power Output Stage -N291- <sup>1)</sup> Ignition Coil 4 with Power Output Stage -N292- <sup>1)</sup>	30
SB17	Fuse 17 (on fuse panel B) -SB17-	7.5 A	ABS control module -J104- Engine control module -J623-	30



Fuse location	Designation in Wiring Diagram	Nominal Value	Function/Component	Terminal
			Motronic engine control module power supply relay -J271-	
SB18	Fuse 18 (on fuse panel B) -SB18-	5 A	Battery monitoring control module -J367-	30
SB19	Fuse 19 (on fuse panel B) -SB19-	30 A	Wiper motor relay 1 -J368- Wiper motor relay 2 -J369-	30
SB20	Fuse 20 (on fuse panel B) -SB20-	10 A	Garage door opener control module -J530-	30
SB21 <sup>3)</sup>	Fuse 21 (on fuse panel B) -SB21-	15 A	Transmission control module -J217-	30
SB22	Fuse 22 (on fuse panel B) -SB22-	5 A	Engine control module -J623-	50
SB23	Fuse 23 (on fuse panel B) -SB23-	30 A	Starter -B-	50
SB24	Not used	-		-
SB25	Not used	-		-
SB26	Not used	-		-
SB27	Not used	-		-
SB28	Not used	-		-
SB29	Not used	-		-
SB30	Not used	-		-
SB31	Not used	-		-
SB32	Not used	-		-
SB33	Not used	-		-
SB34	Not used	-		-
SB35	Not used	-		-
SB36	Not used	-		-
SB37	Fuse 37 (on fuse panel B) -SB37-	20 A	Auxiliary heater control module -J364-	30
SB38	Not used	-		-

1) Only for vehicles with 2.0L gasoline engine

2) Only for vehicles with 3.6L gasoline engine

3) From September 2018

Return to overview ⇒ [page 1](#)

## 1.6 Fuse Panel B -SB- , from August 2019

- ◆ ⇒ [“1.6.1 Fuse Panel B SB , from August 2019”, page 14](#)
- ◆ ⇒ [“1.6.2 Fuse Panel B SB Assignment, from August 2019”, page 15](#)

### 1.6.1 Fuse Panel B -SB- , from August 2019

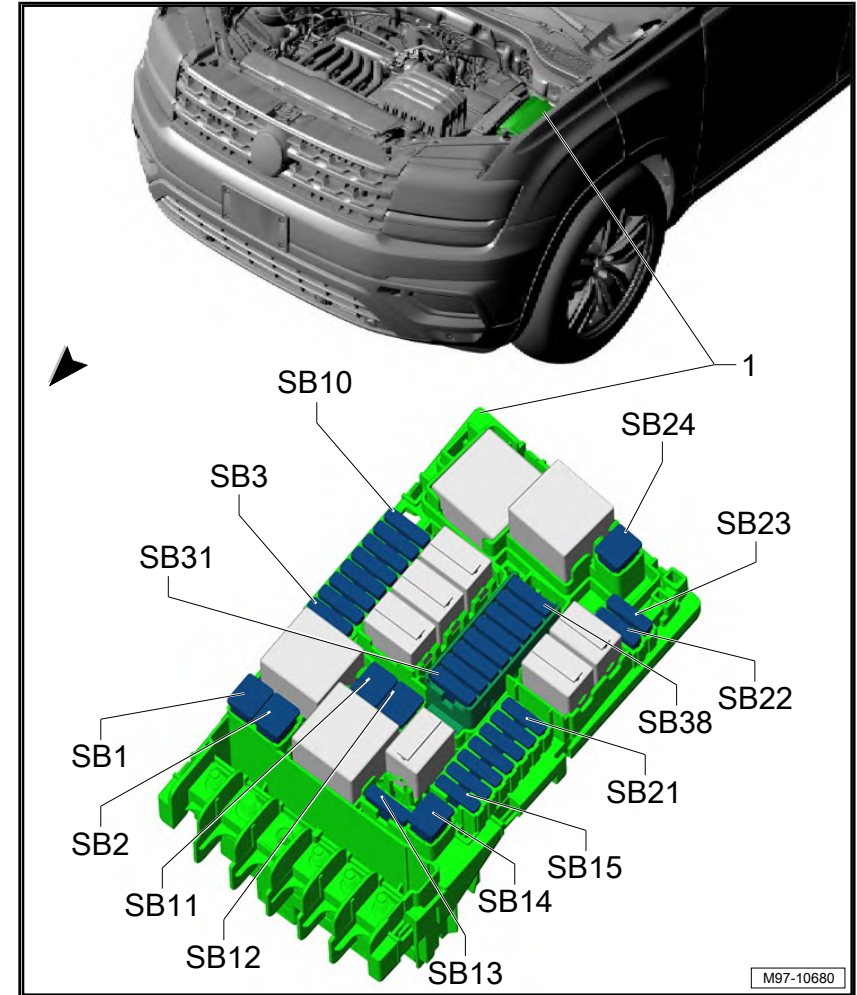
#### 1 - Fuse panel B -SB-

##### Fuse colors, for the J-Case fuse:

- ◆ 50 A - red
- ◆ 40 A - green
- ◆ 30 A - pink

##### Fuse colors, for the ATO flat fuse:

- ◆ 40 A - orange
- ◆ 30 A - light green
- ◆ 25 A - natural (white)
- ◆ 20 A - yellow
- ◆ 15 A - light blue
- ◆ 10 A - red
- ◆ 7.5 A - brown
- ◆ 5 A - light brown
- ◆ 1 A - black



Return to overview ⇒ [page 1](#)

### 1.6.2 Fuse Panel B -SB- Assignment, from August 2019

Fuse location	Designation in Wiring Diagram	Nominal Value	Function/Component	Terminal
SB1	Fuse 1 (On Fuse Panel B) -SB1-	25 A	ABS control module -J104-	30
SB2	Fuse 2 (on fuse panel B) -SB2-	60 A	ABS control module -J104-	30
SB3	Fuse 3 (on fuse panel B) -SB3-	15 A	Engine control module -J623-	87
SB4	Fuse 4 (on fuse panel B) -SB4-	10 A	Fuel Tank Leak Detection Control Module -J909- <sup>2</sup> Radiator fan -VX57- ♦ Radiator fan control module -J293- ♦ Radiator fan -V7- Oil level thermal sensor -G266- Coolant Shut-Off Valve -N82- <sup>2)</sup> Camshaft Adjustment Valve 1 -N205- <sup>2)</sup> Coolant Circulation Valve -N214- <sup>2)</sup> Intake manifold runner control valve -N316- Exhaust Camshaft Adjustment Valve 1 -N318- <sup>2)</sup> Turbocharger Recirculation Valve -N249- <sup>1)</sup> Oil Pressure Regulation Valve -N428- <sup>1)</sup> Piston Cooling Nozzle Control Valve -N522- <sup>1)</sup> EVAP Canister Purge Regulator Valve 1 -N80- <sup>2)</sup> Coolant regulation valve -N515-	87
SB5	Fuse 5 (on fuse panel B) -SB5-	10 A	Cylinder 1 Exhaust Cam Actuator A -N580- <sup>1)</sup> Cylinder 1 Exhaust Cam Actuator B -N581- <sup>1)</sup> Cylinder 2 Exhaust Cam Actuator B -N589- <sup>1)</sup> Cylinder 2 Exhaust Cam Actuator A -N588- <sup>1)</sup> Cylinder 3 Exhaust Cam Actuator A -N596- <sup>1)</sup> Cylinder 3 Exhaust Cam Actuator B -N597- <sup>1)</sup> Cylinder 4 Exhaust Cam Actuator B -N605- <sup>1)</sup> Cylinder 4 Exhaust Cam Actuator A -N604- <sup>1)</sup> Engine component power supply relay -J757-	87
SB6	Fuse 6 (on fuse panel B) -SB6-	7.5 A	Brake Lamp Switch -F-	87

Fuse location	Designation in Wiring Diagram	Nominal Value	Function/Component	Terminal
SB7	Fuse 7 (on fuse panel B) -SB7-	10 A <sup>3)</sup> 7.5 A <sup>3)</sup>	Radiator shutter motor -V544-  Fuel Tank Leak Detection Control Module -J909- <sup>1)</sup> Heater Support Pump -V488- <sup>2)</sup> Transmission Coolant Valve -N488- <sup>2)</sup> Positive Crankcase Ventilation Heating Element -N79- <sup>2)</sup> Coolant Recirculation Pump -V50- <sup>2)</sup> Coolant shut-off valve -N82-	87
SB8	Fuse 8 (on fuse panel B) -SB8-	15 A	Oxygen sensor 1 after catalytic converter -GX7- ◆ Heater for oxygen sensor 1 after catalytic converter -Z29-  Oxygen Sensor 1 Before Catalytic Converter -GX10- <sup>1)</sup> ◆ Oxygen sensor heater -Z19-  Oxygen Sensor 2 after Catalytic Converter -GX8- <sup>2)</sup> ◆ Heater for oxygen sensor 2 after catalytic converter -Z30-	87
SB9	Fuse 9 (on fuse panel B) -SB9-	20 A <sup>3)</sup> 10 A <sup>3)</sup>	Ignition Coil 1 with Power Output Stage -N70- <sup>2)</sup>  Ignition Coil 2 with Power Output Stage -N127- <sup>2)</sup> Ignition Coil 3 with Power Output Stage -N291- <sup>2)</sup> Ignition Coil 4 with Power Output Stage -N292- <sup>2)</sup> Ignition Coil 5 with Power Output Stage -N323- <sup>2)</sup> Ignition Coil 6 with Power Output Stage -N324- <sup>2)</sup> Heater Support Pump -V488- <sup>1)</sup> EVAP Canister Purge Regulator Valve 1 -N80- <sup>1)</sup> Camshaft Adjustment Valve 1 -N205- <sup>1)</sup> Exhaust Camshaft Adjustment Valve 1 -N318- <sup>1)</sup>	87
SB10	Fuse 10 (On Fuse Panel B) -SB10-	20 A	Fuel pump control module -J538-	87
SB11	Not used	-	-	-
SB12	Not used	-	-	-
SB13	Fuse 13 (on fuse panel B) -SB13-	30 A	Transmission control module -J217-	30
SB14	Fuse 14 (on fuse panel B) -SB14-	60 A	Windshield defogger relay -J47-	30

Fuse location	Designation in Wiring Diagram	Nominal Value	Function/Component	Terminal
SB15	Fuse 15 (on fuse panel B) -SB15-	15 A	Horn relay -J413-	30
SB16	Fuse 16 (on fuse panel B) -SB16-	20 A	Engine Component Power Supply Relay -J757- <sup>1)</sup> Ignition Coil 1 with Power Output Stage -N70- <sup>1)</sup> Ignition Coil 2 with Power Output Stage -N127- <sup>1)</sup> Ignition Coil 3 with Power Output Stage -N291- <sup>1)</sup> Ignition Coil 4 with Power Output Stage -N292- <sup>1)</sup>	30
SB17	Fuse 17 (on fuse panel B) -SB17-	7.5 A	ABS control module -J104- Engine control module -J623- Motronic engine control module power supply relay -J271-	30
SB18	Fuse 18 (on fuse panel B) -SB18-	7.5 A	Battery monitoring control module -J367- Data bus on board diagnostic interface -J533-	30
SB19	Fuse 19 (on fuse panel B) -SB19-	30 A	Wiper motor relay 1 -J368- Wiper motor relay 2 -J369-	30
SB20	Fuse 20 (on fuse panel B) -SB20-	7.5 A	Garage door opener control module -J530-	30
SB21	Fuse 21 (on fuse panel B) -SB21-	15 A	Transmission control module -J217-	30
SB22	Fuse 22 (on fuse panel B) -SB22-	7.5 A	Engine control module -J623-	50
SB23	Fuse 23 (on fuse panel B) -SB23-	30 A	Starter -B-	50
SB24	Not used	-		-
SB25	Not used	-		-
SB26	Not used	-		-
SB27	Not used	-		-
SB28	Not used	-		-
SB29	Not used	-		-
SB30	Not used	-		-
SB31	Not used	-		-
SB32	Not used	-		-
SB33	Not used	-		-
SB34	Not used	-		-
SB35	Not used	-		-
SB36	Not used	-		-
SB37	Fuse 37 (on fuse panel B) -SB37-	20 A	Auxiliary heater control module -J364-	30

Fuse location	Designation in Wiring Diagram	Nominal Value	Function/Component	Terminal
SB38	Not used	-		-

- 1) Only for vehicles with 2.0L gasoline engine
- 2) Only for vehicles with 3.6L gasoline engine
- 3) Depending on equipment

Return to overview ⇒ [page 1](#)

## 1.7 Fuse Panel C -SC- , from December 2016

- ◆ ⇒ [“1.7.1 Fuse Panel C SC , from December 2016”, page 18](#)
- ◆ ⇒ [“1.7.2 Fuse Panel C SC Assignment, from December 2016”, page 20](#)

### 1.7.1 Fuse Panel C -SC- , from December 2016

1 - Fuse panel C -SC-

Fuse colors, for the J-Case fuse:

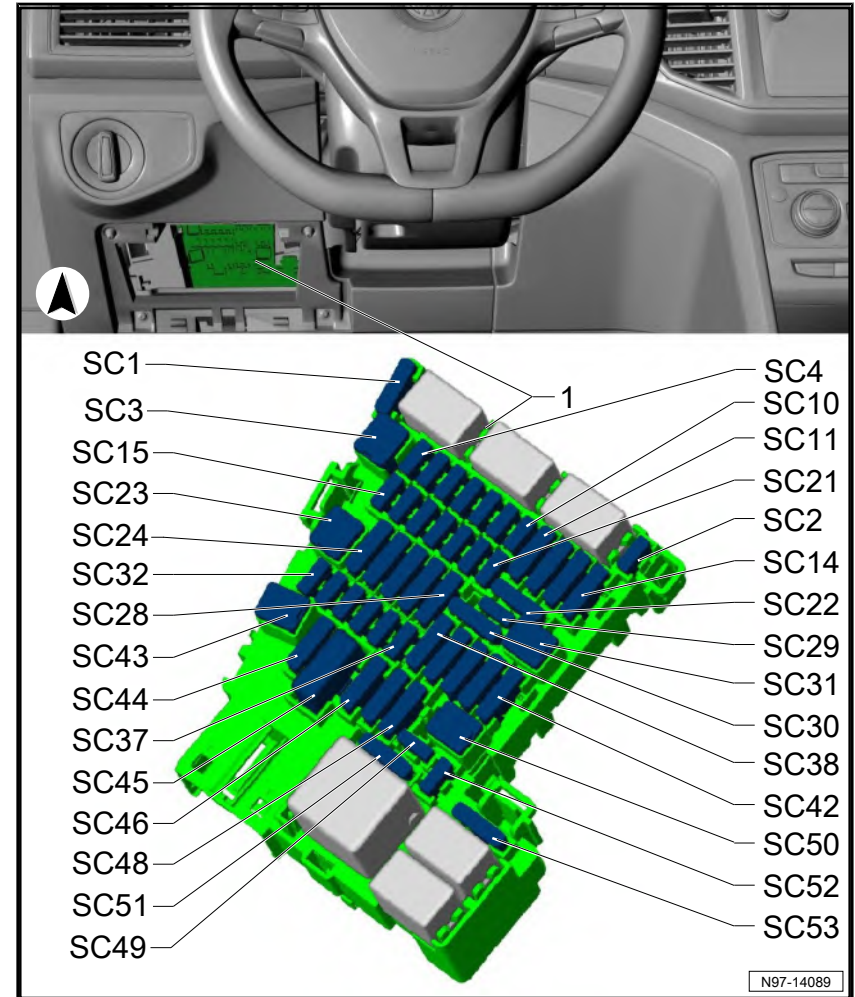
- ◆ 50 A - red
- ◆ 40 A - green
- ◆ 30 A - pink

Fuse colors, for the ATO flat fuse:

- ◆ 40 A - orange
- ◆ 30 A - light green
- ◆ 25 A - natural (white)
- ◆ 20 A - yellow
- ◆ 15 A - light blue
- ◆ 10 A - red
- ◆ 7.5 A - brown
- ◆ 5 A - light brown
- ◆ 1 A - black

Fuse colors, for the mini fuse:

- ◆ 20 A - yellow
- ◆ 15 A - light blue
- ◆ 10 A - red
- ◆ 7.5 A - brown
- ◆ 5 A - light brown
- ◆ 1 A - black



Return to overview ⇒ [page 1](#)

## 1.7.2 Fuse Panel C -SC- Assignment, from December 2016



### Note

From the factory, fuse SC40 is supplied by terminal 15 and can be supplied by terminal 30 instead. If equipment is connected to the socket or the cigarette lighter, make sure the equipment is disconnected from the power supply when the engine is off to prevent the battery from draining.

Fuse location	Designation in Wiring Diagram	Nominal Value	Function/Component	Terminal
SC1	Not used	-	-	-
SC2	Fuse 2 (On Fuse Panel C) -SC2-	10 A	Steering Column Electronics Control Module -J527- <sup>1)</sup>	30
SC3	Fuse 3 (on fuse panel C) -SC3-	30 A	Rear fresh air blower control module -J391-	30
SC4	Fuse 4 (on fuse panel C) -SC4-	10 A	Vehicle electrical system control module -J519-	30
SC5	Fuse 5 (on fuse panel C) -SC5-	5 A	Data bus on board diagnostic interface -J533- Remote Start System Relay -J471- <sup>2) 3)</sup>	30
SC6	Fuse 6 (on fuse panel C) -SC6-	5 A	Selector mechanism -EX2-	30
SC7	Fuse 7 (on fuse panel C) -SC7-	10 A	Heater and A/C controls -EX21- Rear A/C display control head -E265- Rear window defogger relay -J9- A/C clutch relay -J44- Tire pressure monitoring control module -J502-	30
SC8	Fuse 8 (on fuse panel C) -SC8-	10 A	Diagnostic connection -U31- Electromechanical parking brake button -E538- Driving profile selection control head -E881- Rain/light recognition sensor -G397- Rotary light switch -EX1- Cornering lamp and headlamp range control module -J745- Instrument panel contour illumination lamp 1 -L243- Instrument panel contour illumination lamp 2 -L244- Instrument panel contour illumination lamp 3 -L245- Garage door opener control head -E284-	30
SC9	Fuse 9 (on fuse panel C) -SC9-	5 A	Steering column electronics control module -J527-	30



Fuse location	Designation in Wiring Diagram	Nominal Value	Function/Component	Terminal
SC10	Fuse 10 (on fuse panel C) -SC10-	10 A 7.5 A	Front information display control head -J685-	30
SC11	Fuse 11 (on fuse panel C) -SC11-	40 A	Vehicle electrical system control module -J519-	30
SC12	Fuse 12 (on fuse panel C) -SC12-	20 A	Information electronics control module 1 -J794-	30
SC13	Not used	-	-	-
SC14	Fuse 14 (on fuse panel C) -SC14-	40 A <sup>10)</sup> 30 A	Fresh air blower control module -J126-	30
SC15	Fuse 15 (on fuse panel C) -SC15-	10 A	Electronic steering column lock control module -J764-	30
SC16	Fuse 16 (on fuse panel C) -SC16-	7.5 A	USB distributor -R293-	30
SC17	Fuse 17 (on fuse panel C) -SC17-	7.5 A	Instrument cluster -KX2- Control module for emergency call module and communication unit -J949-	30
SC18	Fuse 18 (on fuse panel C) -SC18-	7.5 A	Selector Mechanism -EX2- <sup>4)</sup> Peripheral Camera Control Module -J928- <sup>5)</sup> Rear lid handle -EX37-	30
SC19	Fuse 19 (on fuse panel C) -SC19-	7.5 A	Access/start system interface -J965-	30
SC20	Not used	-	-	-
SC21	Fuse 21 (On Fuse Panel C) -SC21-	15 A	All wheel drive control module -J492-	30
SC22	Fuse 22 (on fuse panel C) -SC22-	15 A	Towing recognition control module -J345-	30
SC23	Fuse 23 (on fuse panel C) -SC23-	30 A	Power sunroof control module -J245-	30
SC24	Fuse 24 (on fuse panel C) -SC24-	40 A	Vehicle electrical system control module -J519-	30
SC25	Fuse 25 (on fuse panel C) -SC25-	30 A	Driver Door Control Module -J386- <sup>5)</sup> Driver side rear window regulator motor -V471-	30 30
SC26	Fuse 26 (on fuse panel C) -SC26-	30 A	Vehicle electrical system control module -J519-	30
SC27	Fuse 27 (on fuse panel C) -SC27-	30 A	Vehicle electrical system control module -J519-	30
SC28	Fuse 28 (on fuse panel C) -SC28-	25 A	Towing recognition control module -J345-	30
SC29	Not used	-	-	-
SC30	Fuse 30 (on fuse panel C) -SC30-	10 A	Remote Start System Relay -J471- <sup>2) 3)</sup>	30
SC31 <sup>10)</sup>	Fuse 31 (on fuse panel C) -SC31-	30 A	Rear lid control module -J605-	30
SC32	Fuse 32 (on fuse panel C) -SC32-	10 A	Blind spot detection control module -J1086- Blind spot detection control module 2 -J1087-	15

Fuse location	Designation in Wiring Diagram	Nominal Value	Function/Component	Terminal
			Parking aid control module -J446- Driver assistance systems front camera -R242- Distance regulation control module -J428-	
SC33	Fuse 33 (on fuse panel C) -SC33-	5 A	Airbag control module -J234- Front passenger seat occupant detection sensor -G128- Passenger occupant detection system control module -J706-	15
SC34	Fuse 34 (on fuse panel C) -SC34-	7.5 A	Refrigerant Circuit Pressure Sensor -G805- <sup>6)</sup> Switch module in instrument panel, center -EX22- ◆ Front passenger airbag -disabled- indicator lamp -K145-  Interior rearview mirror -EX5- Rotary light switch -EX1- Sockets relay -J807-	15
SC35	Fuse 35 (on fuse panel C) -SC35-	10 A	Diagnostic connection -U31-	15
SC36	Fuse 36 (on fuse panel C) -SC36-	10 A	Right front headlamp -MX2-	15
SC37	Fuse 37 (on fuse panel C) -SC37-	10 A	Left front headlamp -MX1-	15
SC38	Fuse 38 (on fuse panel C) -SC38-	25 A	Towing recognition control module -J345-	30
SC39	Fuse 39 (on fuse panel C) -SC39-	30 A	Front Passenger's Door Control Module -J387- Passenger side rear window regulator motor -V472-	30
SC40 8), 9)	Fuse 40 (on fuse panel C) -SC40-	20 A	12 V socket -U5-  12 V socket 2 -U18- 12 V socket 3 -U19-	15 <sup>8)</sup> / 30 <sup>9)</sup>
SC41	Not used	-	-	-
SC42	Fuse 42 (on fuse panel C) -SC42-	40 A	Vehicle electrical system control module -J519-	30
SC43	Fuse 43 (on fuse panel C) -SC43-	30 A 40 A <sup>3)</sup>	Digital sound system control module -J525-	30
SC44	Fuse 44 (on fuse panel C) -SC44-	15 A	Towing recognition control module -J345-	30
SC45	Fuse 45 (on fuse panel C) -SC45-	15 A	Left front seat backrest fan 1 -V512- Left front seat cushion fan 1 -V514-	30
SC46	Fuse 46 (on fuse panel C) -SC46-	30 A	Converter with socket, 12 V-230 V -U13-	30
SC47	Fuse 47 (on fuse panel C) -SC47-	15 A	Rear window wiper motor -V12-	15
SC48	Not used	-	-	-

Fuse location	Designation in Wiring Diagram	Nominal Value	Function/Component	Terminal
SC49	Fuse 49 (on fuse panel C) -SC49-	5 A	Starter relay 1 -J906- Starter relay 2 -J907- Remote Start System Relay -J471- <sup>3)</sup>	15
SC50	Fuse 50 (on fuse panel C) -SC50-	40 A	Rear lid control module -J605-	30
SC51	Fuse 51 (on fuse panel C) -SC51-	25 A	Rear A/C display control head -E265-	30
SC52	Not used	-	-	-
SC53	Fuse 53 (on fuse panel C) -SC53-	30 A	Rear window defogger relay -J9-	15

1) Only for vehicles with a heated steering wheel

2) Only for vehicles with engine remote start

3) Only for vehicles with engine remote start preparation

4) For models with rearview camera system

5) Only for vehicles with peripheral camera

6) Only for vehicles without engine remote start

7) Depending on equipment

8) Supplied by terminal 15 from the factory

9) Supply by terminal 30 possible

10) From July 2018

Return to overview ⇒ [page 1](#)

## 1.8 Fuse Panel C -SC- , from August 2019

◆ ⇒ [“1.8.1 Fuse Panel C SC , from August 2019”, page 23](#)

◆ ⇒ [“1.8.2 Fuse Panel C SC Assignment, from August 2019”, page 25](#)

### 1.8.1 Fuse Panel C -SC- , from August 2019

1 - Fuse panel C -SC-

Fuse colors, for the J-Case fuse:

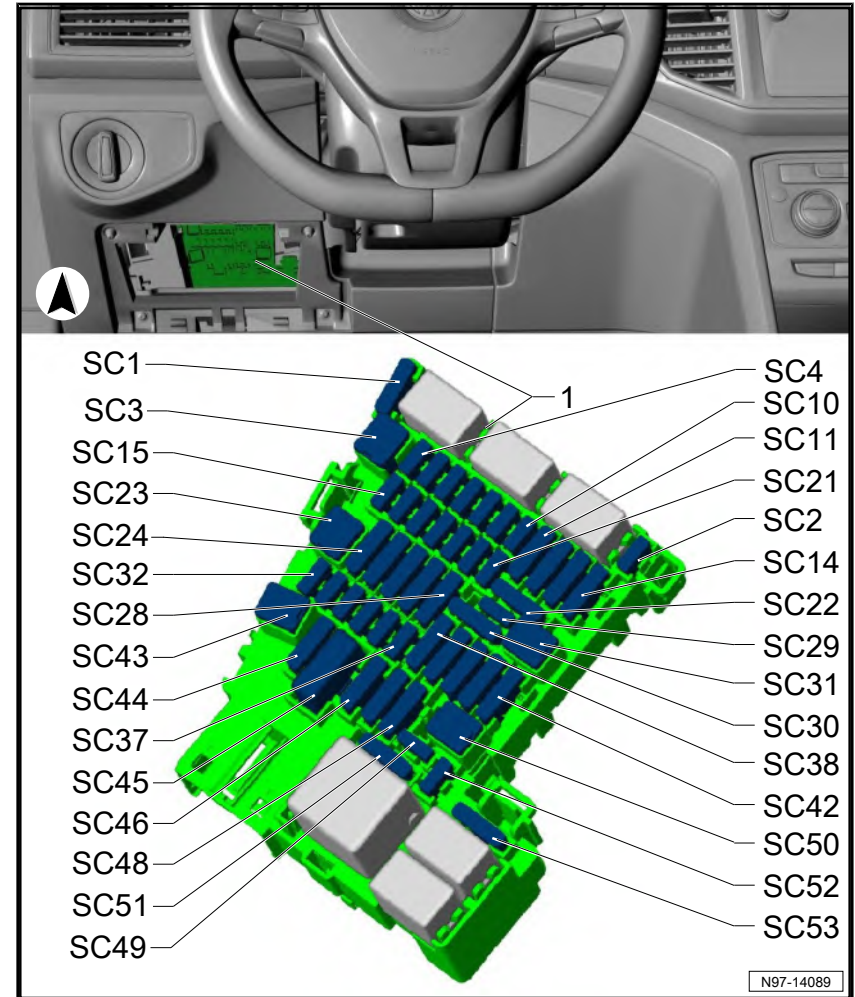
- ◆ 50 A - red
- ◆ 40 A - green
- ◆ 30 A - pink

Fuse colors, for the ATO flat fuse:

- ◆ 40 A - orange
- ◆ 30 A - light green
- ◆ 25 A - natural (white)
- ◆ 20 A - yellow
- ◆ 15 A - light blue
- ◆ 10 A - red
- ◆ 7.5 A - brown
- ◆ 5 A - light brown
- ◆ 1 A - black

Fuse colors, for the mini fuse:

- ◆ 20 A - yellow
- ◆ 15 A - light blue
- ◆ 10 A - red
- ◆ 7.5 A - brown
- ◆ 5 A - light brown
- ◆ 1 A - black



Return to overview ⇒ [page 1](#)

## 1.8.2 Fuse Panel C -SC- Assignment, from August 2019



### Note

*From the factory, fuse SC40 is supplied by terminal 15 and can be supplied by terminal 30 instead. If equipment is connected to the socket or the cigarette lighter, make sure the equipment is disconnected from the power supply when the engine is off to prevent the battery from draining.*

Fuse location	Designation in Wiring Diagram	Nominal Value	Function/Component	Terminal
SC1	Not used	-	-	-
SC2	Fuse 2 (On Fuse Panel C) -SC2-	10 A	Steering Column Electronics Control Module -J527- <sup>1)</sup>	30
SC3	Fuse 3 (on fuse panel C) -SC3-	30 A	Rear fresh air blower control module -J391-	30
SC4	Fuse 4 (on fuse panel C) -SC4-	7.5 A	Vehicle electrical system control module -J519-	30
SC5	Fuse 5 (on fuse panel C) -SC5-	7.5 A	Data bus on board diagnostic interface -J533- Remote Start System Relay -J471- <sup>2) 3)</sup>	30
SC6	Fuse 6 (on fuse panel C) -SC6-	7.5 A	Selector mechanism -EX2- Ignition Switch Key Lock Solenoid -N376-	30
SC7	Fuse 7 (on fuse panel C) -SC7-	10 A	Heater and A/C controls -EX21- Rear A/C display control head -E265- Rear window defogger relay -J9- A/C clutch relay -J44- Tire pressure monitoring control module -J502-	30
SC8	Fuse 8 (on fuse panel C) -SC8-	7.5 A	Diagnostic connection -U31- Electromechanical parking brake button -E538- Driving profile selection control head -E881- Rain/light recognition sensor -G397- Rotary light switch -EX1- Cornering lamp and headlamp range control module -J745- Instrument panel contour illumination lamp 1 -L243- Instrument panel contour illumination lamp 2 -L244- Instrument panel contour illumination lamp 3 -L245- Garage door opener control head -E284-	30

Fuse location	Designation in Wiring Diagram	Nominal Value	Function/Component	Terminal
SC9	Fuse 9 (on fuse panel C) -SC9-	7.5 A	Steering column electronics control module -J527- Ignition/starter switch -D-	30
SC10	Fuse 10 (on fuse panel C) -SC10-	7.5 A	Front information display control head -J685-	30
SC11	Fuse 11 (on fuse panel C) -SC11-	40 A	Vehicle electrical system control module -J519-	30
SC12	Fuse 12 (on fuse panel C) -SC12-	20 A	Information electronics control module 1 -J794-	30
SC13	Not used	-	-	-
SC14	Fuse 14 (on fuse panel C) -SC14-	40 A	Fresh air blower control module -J126-	30
SC15	Fuse 15 (on fuse panel C) -SC15-	10 A	Electronic steering column lock control module -J764-	30
SC16	Fuse 16 (on fuse panel C) -SC16-	7.5 A	USB distributor -R293- USB connection 1 -U41-	30
SC17	Fuse 17 (on fuse panel C) -SC17-	7.5 A	Instrument cluster -KX2- Control module for emergency call module and communication unit -J949-	30
SC18	Fuse 18 (on fuse panel C) -SC18-	7.5 A	Selector Mechanism -EX2- <sup>4)</sup> Peripheral Camera Control Module -J928- <sup>5)</sup> Rear lid handle -EX37-	30
SC19	Fuse 19 (on fuse panel C) -SC19-	7.5 A	Access/start system interface -J965-	30
SC20	Not used	-	-	-
SC21	Fuse 21 (On Fuse Panel C) -SC21-	15 A	All wheel drive control module -J492-	30
SC22	Fuse 22 (on fuse panel C) -SC22-	15 A	Towing recognition control module -J345-	30
SC23	Fuse 23 (on fuse panel C) -SC23-	30 A	Power sunroof control module -J245-	30
SC24	Fuse 24 (on fuse panel C) -SC24-	40 A	Vehicle electrical system control module -J519-	30
SC25	Fuse 25 (on fuse panel C) -SC25-	30 A	Driver Door Control Module -J386- <sup>5)</sup> Driver side rear window regulator motor -V471-	30 30
SC26	Fuse 26 (on fuse panel C) -SC26-	30 A	Vehicle electrical system control module -J519-	30
SC27	Fuse 27 (on fuse panel C) -SC27-	30 A	Vehicle electrical system control module -J519-	30
SC28	Fuse 28 (on fuse panel C) -SC28-	25 A	Towing recognition control module -J345-	30
SC29	Fuse 29 (on fuse panel C) -SC29-	5 A	Refrigerant circuit pressure sensor -G805-	15
SC30	Fuse 30 (on fuse panel C) -SC30-	10 A	Remote Start System Relay -J471- <sup>2)</sup> <sup>3)</sup>	30
SC31	Fuse 31 (on fuse panel C) -SC31-	30 A	Rear lid control module -J605-	30
SC32	Fuse 32 (on fuse panel C) -SC32-	10 A	Blind spot detection control module -J1086- Blind spot detection control module 2 -J1087-	15

Fuse location	Designation in Wiring Diagram	Nominal Value	Function/Component	Terminal
			Parking aid control module -J446- Driver assistance systems front camera -R242- Distance regulation control module -J428-	
SC33	Fuse 33 (on fuse panel C) -SC33-	7.5 A	Airbag control module -J234- Front passenger seat occupant detection sensor -G128- Passenger occupant detection system control module -J706-	15
SC34	Fuse 34 (on fuse panel C) -SC34-	7.5 A	Refrigerant Circuit Pressure Sensor -G805- <sup>6)</sup> Switch module in instrument panel, center -EX22- ◆ Front passenger airbag -disabled- indicator lamp -K145-  Interior rearview mirror -EX5- Rotary light switch -EX1- Sockets relay -J807-	15
SC35	Fuse 35 (on fuse panel C) -SC35-	7.5 A	Diagnostic connection -U31-	15
SC36	Fuse 36 (on fuse panel C) -SC36-	7.5 A	Right front headlamp -MX2-	15
SC37	Fuse 37 (on fuse panel C) -SC37-	7.5 A	Left front headlamp -MX1-	15
SC38	Fuse 38 (on fuse panel C) -SC38-	25 A	Towing recognition control module -J345-	30
SC39	Fuse 39 (on fuse panel C) -SC39-	30 A	Front Passenger's Door Control Module -J387- Passenger side rear window regulator motor -V472-	30
SC40 8), 9)	Fuse 40 (on fuse panel C) -SC40-	20 A	12 V socket -U5-  12 V socket 2 -U18- 12 V socket 3 -U19-	15 <sup>8)</sup> / 30 <sup>9)</sup>
SC41	Not used	-	-	-
SC42	Fuse 42 (on fuse panel C) -SC42-	40 A	Vehicle electrical system control module -J519-	30
SC43	Fuse 43 (on fuse panel C) -SC43-	40 A	Digital sound system control module -J525-	30
SC44	Fuse 44 (on fuse panel C) -SC44-	15 A	Towing recognition control module -J345-	30
SC45	Fuse 45 (on fuse panel C) -SC45-	15 A	Left front seat backrest fan 1 -V512- Left front seat cushion fan 1 -V514-	30
SC46	Fuse 46 (on fuse panel C) -SC46-	30 A <sup>7)</sup> 7.5 A <sup>7)</sup>	Converter with socket, 12 V-230 V -U13-	30
SC47	Fuse 47 (on fuse panel C) -SC47-	15 A	Rear window wiper motor -V12-	15

Fuse location	Designation in Wiring Diagram	Nominal Value	Function/Component	Terminal
SC48	Not used	-	-	-
SC49	Fuse 49 (on fuse panel C) -SC49-	7.5 A	Starter relay 1 -J906- Starter relay 2 -J907- Remote Start System Relay -J471- <sup>3)</sup>	15
SC50	Fuse 50 (on fuse panel C) -SC50-	40 A	Rear lid control module -J605-	30
SC51	Fuse 51 (on fuse panel C) -SC51-	25 A	Rear A/C display control head -E265-	30
SC52	Not used	-	-	-
SC53	Fuse 53 (on fuse panel C) -SC53-	30 A	Rear window defogger relay -J9-	15

1) Only for vehicles with a heated steering wheel

2) Only for vehicles with engine remote start

3) Only for vehicles with engine remote start preparation

4) For models with rearview camera system

5) Only for vehicles with peripheral camera

6) Only for vehicles without engine remote start

7) Depending on equipment

8) Supplied by terminal 15 from the factory

9) Supply by terminal 30 possible

[Return to overview ⇒ page 1](#)

## 1.9 Single Fuses, from December 2016

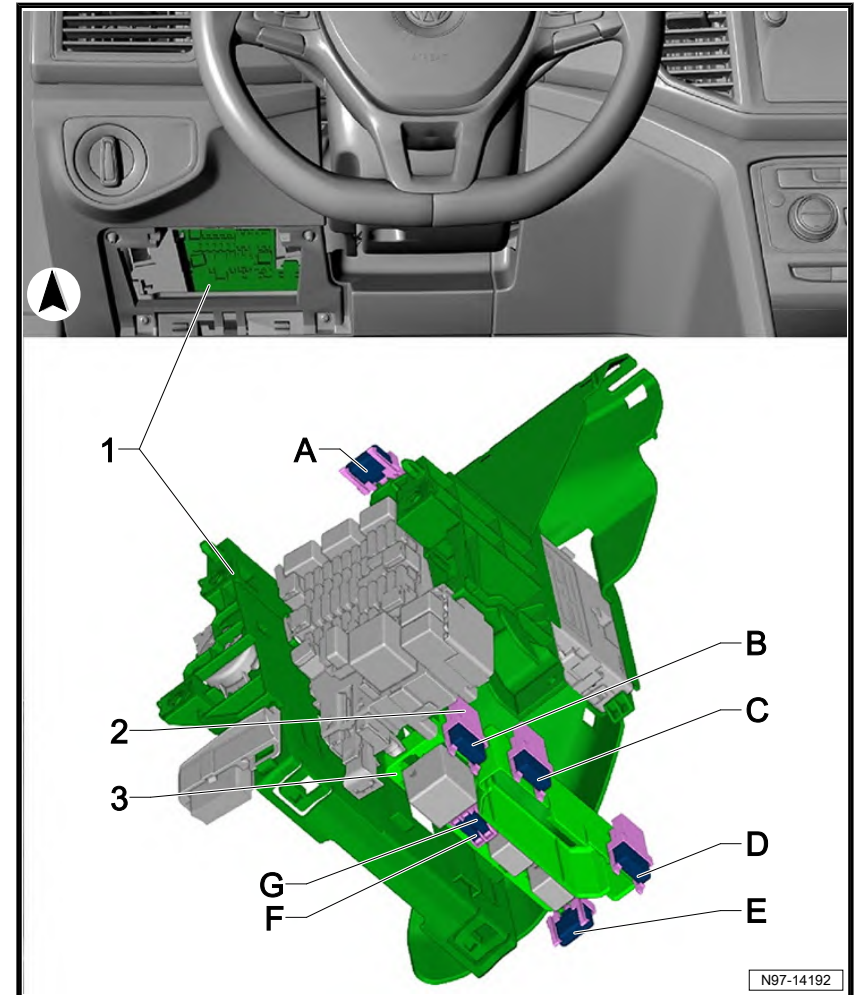
◆ ⇒ [“1.9.1 Single Fuse Location, from December 2016”, page 28](#)

◆ ⇒ [“1.9.2 Single Fuse Assignment, from December 2016”, page 29](#)

### 1.9.1 Single Fuse Location, from December 2016



- 1 - Bracket
- 2 - Fuse panel 2 -ST2-
- 3 - Fuse panel 1 -ST1-



Return to overview ⇒ [page 1](#)

### 1.9.2 Single Fuse Assignment, from December 2016

Fuse location	Designation in Wiring Diagram	Nominal Value	Function/Component	Terminal
A	Not used	-		-
B	Front passenger power seat adjustment circuit breaker 1 -S46-	15 A	Right front seat adjustment control head -EX34-	30

Fuse location	Designation in Wiring Diagram	Nominal Value	Function/Component	Terminal
			Right front seat backrest fan 1 -V516- Right front seat cushion fan 1 -V518-	
C	Not used	-		-
D	USB Charging Socket Fuse -S356-	7.5	USB charging socket 1 -U37-	15
E	Remote start system fuse 1 -S250-	5 A	Refrigerant circuit pressure sensor -G805-	15
F	Not used	-		-
G	Trailer circuit breaker -S87-	25 A	Electric trailer brake position sensor -G508-	30

Return to overview [⇒ page 1](#)

## 1 Comp. Loc.: Relays

- ◆ ⇒ [“1.2 Relays on Fuse Panel B SB ”, page 2](#)
- ◆ ⇒ [“1.3 Relays on Fuse Panel C SC ”, page 3](#)
- ◆ ⇒ [“1.4 Relay and Fuse Panel 3 SR3 ”, page 4](#)
- ◆ ⇒ [“1.5 Relay Panel 5 SR5 ”, page 6](#)
- ◆ ⇒ [“1.6 Relays on Fuse Panel 1 ST1 ”, page 7](#)

### 1.1 Components index

Component	Chapter	Comments
Rear window defogger relay -J9-	⇒ <a href="#">“1.3.1 Relay on Fuse Panel C SC , from December 2016”</a> , <a href="#">page 4</a>	
A/C clutch relay -J44-	⇒ <a href="#">“1.3.1 Relay on Fuse Panel C SC , from December 2016”</a> , <a href="#">page 4</a>	
Windshield defogger relay -J47-	⇒ <a href="#">“1.5.1 Relay Panel 5 SR5 , from December 2016”</a> , <a href="#">page 7</a>	For vehicles with windshield defogger
Motronic engine control module power supply relay -J271-	⇒ <a href="#">“1.2.1 Relay on Fuse Panel B SB , from December 2016”</a> , <a href="#">page 2</a>	For vehicles with gasoline engine
Secondary air injection pump relay -J299-	⇒ <a href="#">“1.2.1 Relay on Fuse Panel B SB , from December 2016”</a> , <a href="#">page 2</a>	
Power supply relay terminal 15 -J329-	⇒ <a href="#">“1.3.1 Relay on Fuse Panel C SC , from December 2016”</a> , <a href="#">page 4</a>	
Wiper motor relay 1 -J368-	⇒ <a href="#">“1.4.1 Relay and Fuse Panel 3 SR3 , from December 2016”</a> , <a href="#">page 5</a>	
	⇒ <a href="#">“1.4.2 Relay and Fuse Panel 3 SR3 , from July 2017”</a> , <a href="#">page 6</a>	
Wiper motor relay 2 -J369-	⇒ <a href="#">“1.4.1 Relay and Fuse Panel 3 SR3 , from December 2016”</a> , <a href="#">page 5</a>	
	⇒ <a href="#">“1.4.2 Relay and Fuse Panel 3 SR3 , from July 2017”</a> , <a href="#">page 6</a>	
Horn relay -J413-	⇒ <a href="#">“1.2.1 Relay on Fuse Panel B SB , from December 2016”</a> , <a href="#">page 2</a>	
Remote start system relay -J471-	⇒ <a href="#">“1.6.1 Relay on Fuse Panel 1 ST1 , from December 2016”</a> , <a href="#">page 8</a>	For vehicles with engine remote start
Engine component power supply relay -J757-	⇒ <a href="#">“1.4.2 Relay and Fuse Panel 3 SR3 , from July 2017”</a> , <a href="#">page 6</a>	Only for vehicles with 2.0L gasoline engine
Sockets relay -J807-	⇒ <a href="#">“1.3.1 Relay on Fuse Panel C SC , from December 2016”</a> , <a href="#">page 4</a>	

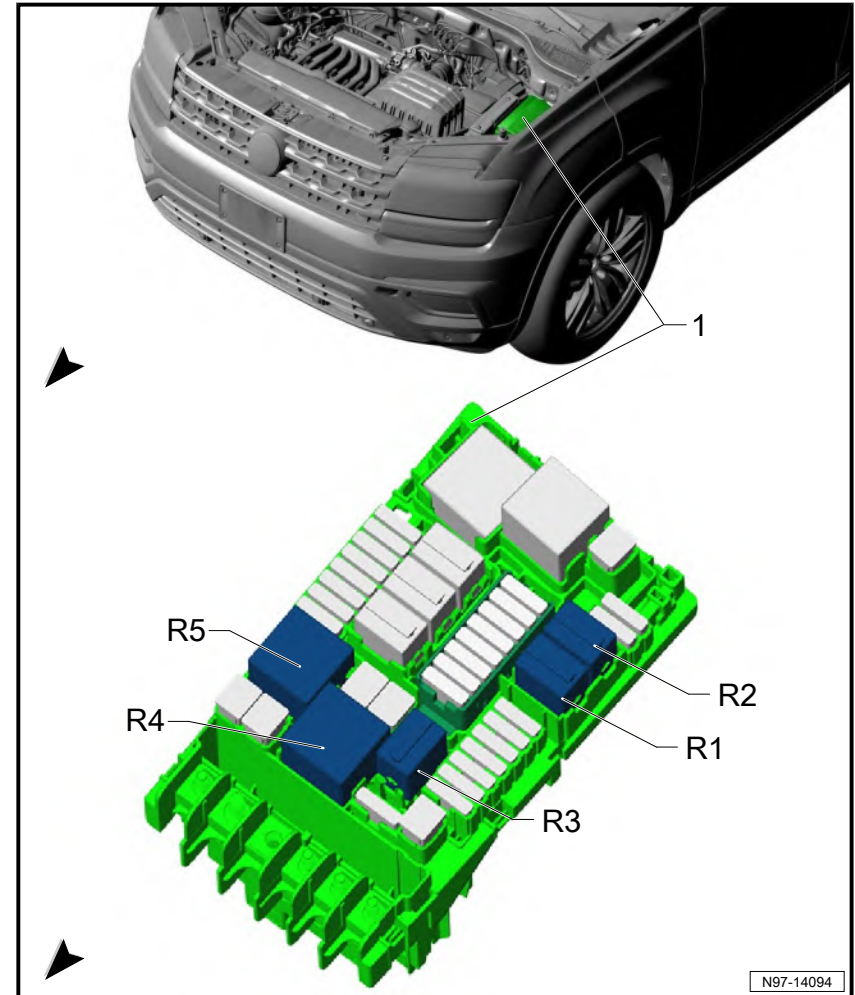
Component	Chapter	Comments
Starter relay 1 -J906-	⇒ <a href="#">"1.2.1 Relay on Fuse Panel B SB , from December 2016", page 2</a>	
Starter relay 2 -J907-	⇒ <a href="#">"1.2.1 Relay on Fuse Panel B SB , from December 2016", page 2</a>	

## 1.2 Relays on Fuse Panel B -SB-

◆ ⇒ ["1.2.1 Relay on Fuse Panel B SB , from December 2016", page 2](#)

### 1.2.1 Relay on Fuse Panel B -SB- , from December 2016

- 1 - Fuse panel B -SB-
- R1 - Starter relay 1 -J906-
- R2 - Starter relay 2 -J907-
- R3 - Horn relay -J413-
- R4 - Secondary air injection pump relay -J299-
- R5 - Motronic engine control module power supply relay -J271-
  - For vehicles with gasoline engine



Volkswagen Technical Site: <https://vwts.ru>

Return to overview ⇒ [page 1](#)

### 1.3 Relays on Fuse Panel C -SC-

◆ ⇒ [“1.3.1 Relay on Fuse Panel C SC , from December 2016”, page 4](#)

### 1.3.1 Relay on Fuse Panel C -SC-, from December 2016

1 - Fuse panel C -SC-

R1 - Not used

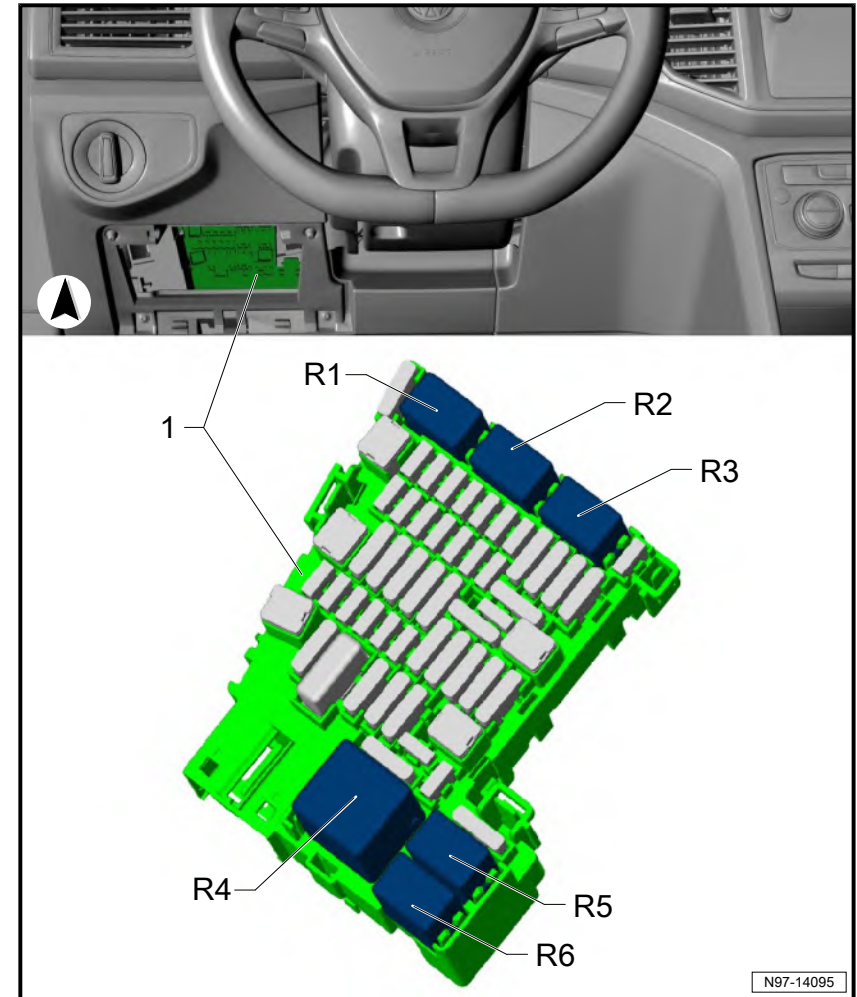
R2 - A/C clutch relay -J44-

R3 - Not used

R4 - Power supply relay terminal 15 -J329-

R5 - Rear window defogger relay -J9-

R6 - Sockets relay -J807-



Return to overview ⇒ [page 1](#)

### 1.4 Relay and Fuse Panel 3 -SR3-

◆ ⇒ [“1.4.1 Relay and Fuse Panel 3 SR3 , from December 2016”, page 5](#)

◆ ⇒ [“1.4.2 Relay and Fuse Panel 3 SR3 , from July 2017”, page 6](#)

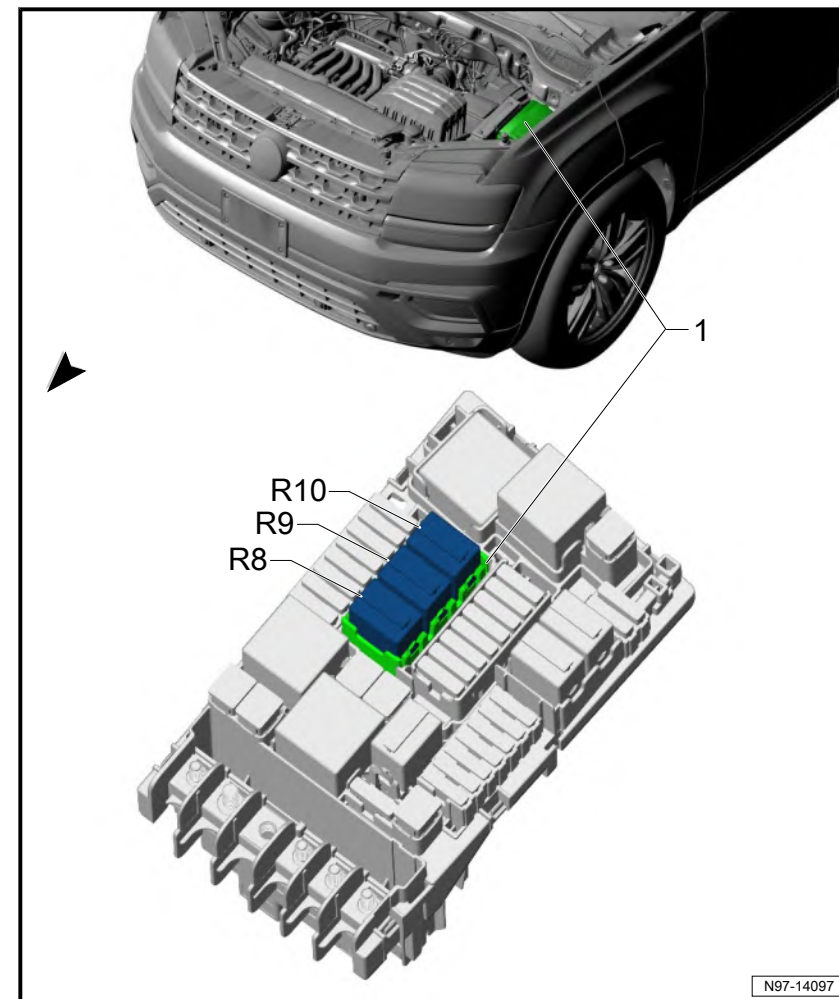
1.4.1 Relay and Fuse Panel 3 -SR3- , from December 2016

1 - Relay and fuse panel 3 -SR3-

R8 - Not used

R9 - Wiper motor relay 1 -J368-

R10 - Wiper motor relay 2 -J369-



Return to overview ⇒ [page 1](#)

### 1.4.2 Relay and Fuse Panel 3 -SR3- , from July 2017

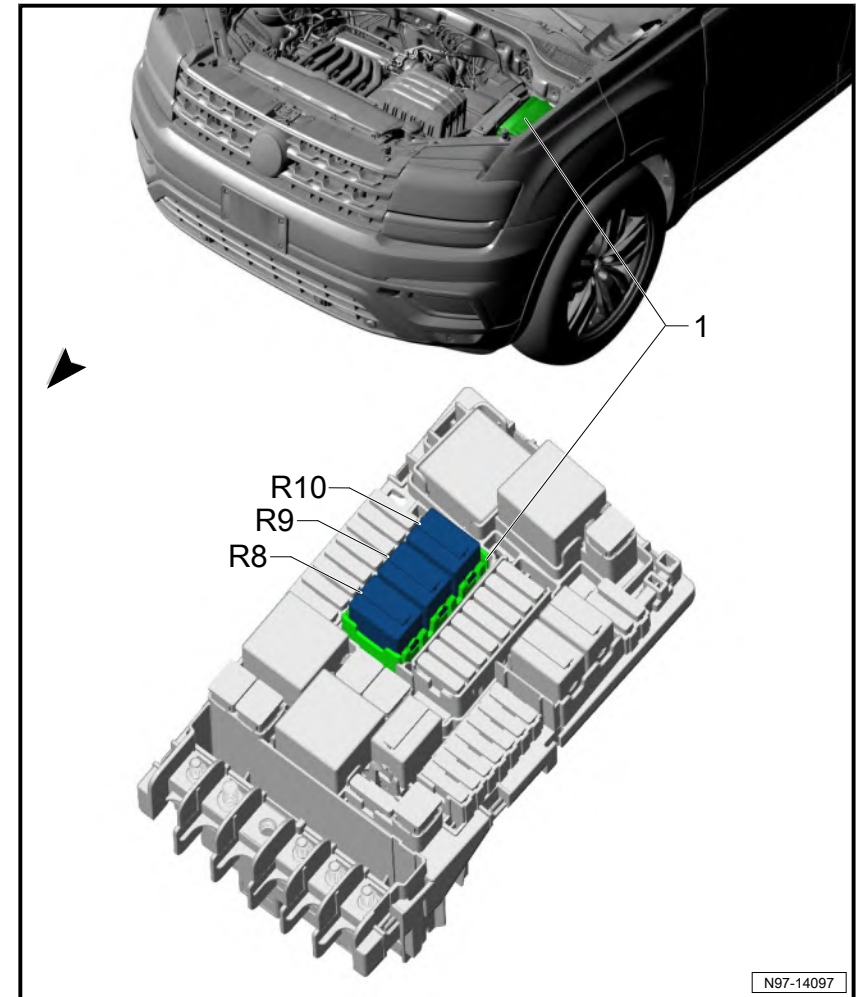
1 - Relay and fuse panel 3 -SR3-

R8 - Engine component power supply relay -J757-

- Only for vehicles with 2.0L gasoline engine

R9 - Wiper motor relay 1 -J368-

R10 - Wiper motor relay 2 -J369-



Return to overview ⇒ [page 1](#)

### 1.5 Relay Panel 5 -SR5-

- ◆ ⇒ [“1.5.1 Relay Panel 5 SR5 , from December 2016” , page 7](#)

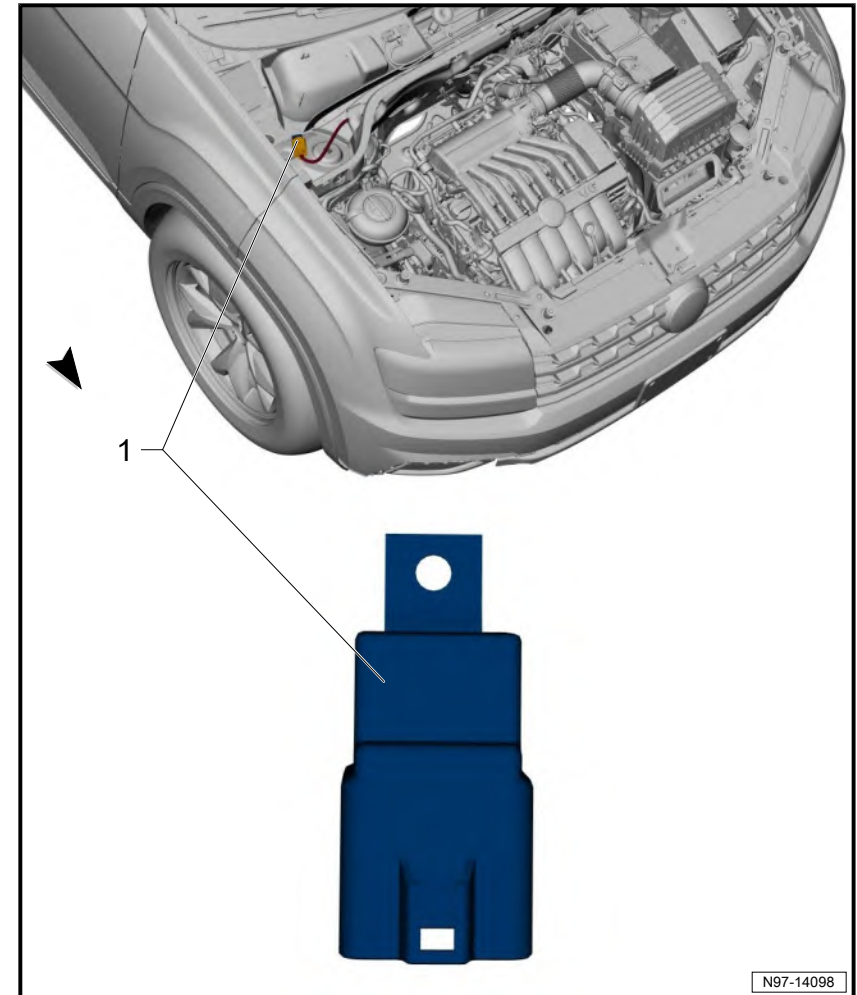


1.5.1 Relay Panel 5 -SR5- , from December 2016

1 - Relay Panel 5 -SR5-

1 - Windshield defogger relay -J47-

For vehicles with windshield defogger



Return to overview [⇒ page 1](#)

1.6 Relays on Fuse Panel 1 -ST1-

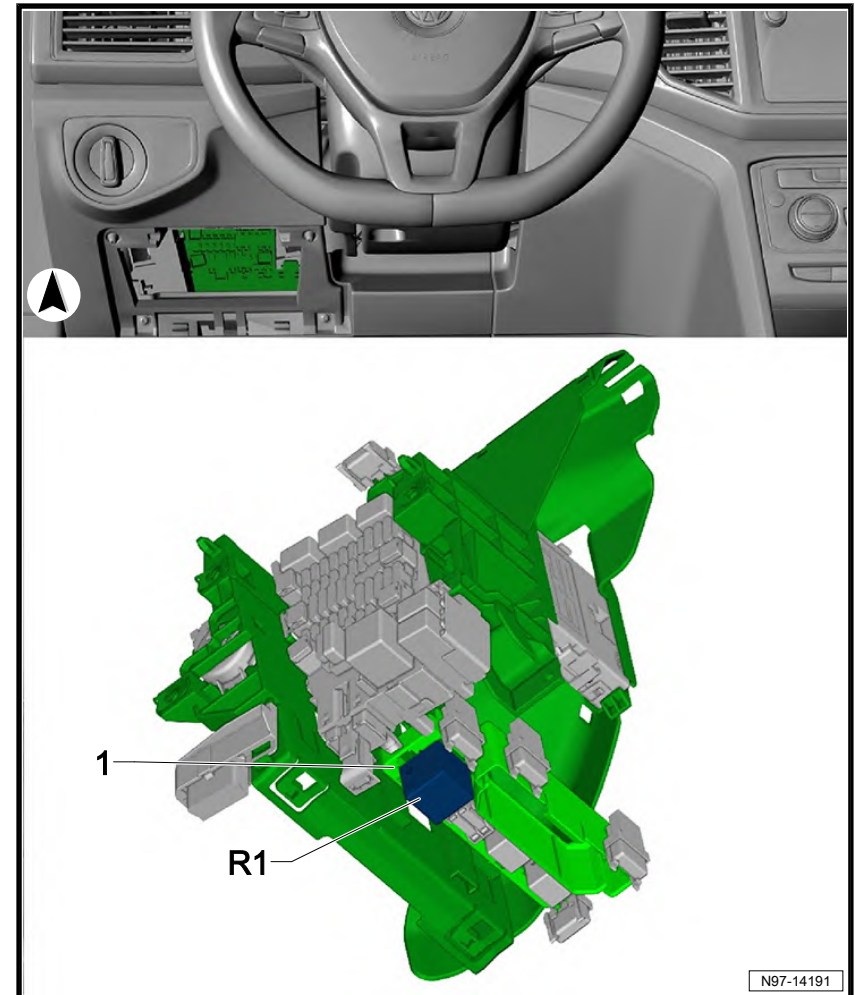
◆ [⇒ "1.6.1 Relay on Fuse Panel 1 ST1 , from December 2016", page 8](#)

1.6.1 Relay on Fuse Panel 1 -ST1- , from December 2016

1 - Fuse panel 1 -ST1-

R1 - Remote start system relay -J471-

- For vehicles with engine remote start



Return to overview => [page 1](#)

1 Comp. Loc.: Vehicle Front

- ◆ ⇒ [F1.2 ront", page 5](#)
- ◆ ⇒ [F1.3 ront, left view", page 7](#)
- ◆ ⇒ [F1.4 ront, right view", page 7](#)
- ◆ ⇒ [T1.5 FSI, CDVC", page 8](#)
- ◆ ⇒ [T1.6 FSI, DCGA", page 13](#)
- ◆ ⇒ [01.7 9P", page 18](#)

1.1 Components Index

Component	Chapter	Comments
Battery -A-	⇒ <a href="#">F1.3 ront, left view", page 7</a>	
Starter -B-	⇒ <a href="#">01.7 9P", page 18</a>	
Generator with voltage regulator -CX1-	⇒ <a href="#">T1.5.1 FSI CDVC, front", page 9</a>	
Generator with voltage regulator -CX1-	⇒ <a href="#">T1.6.1 FSI, DCGA, front", page 14</a>	
Brake lamp switch -F-	⇒ <a href="#">F1.4 ront, right view", page 7</a>	
Oil pressure switch -F1-	⇒ <a href="#">T1.5.1 FSI CDVC, front", page 9</a>	
Oil pressure switch -F1-	⇒ <a href="#">T1.6.3 FSI, DCGA, right", page 15</a>	
Brake fluid level warning switch -F34-	⇒ <a href="#">F1.4 ront, right view", page 7</a>	
Multifunction transmission range switch -F125-	⇒ <a href="#">01.7 9P", page 18</a>	
Reduced oil pressure switch -F378-	⇒ <a href="#">T1.6.3 FSI, DCGA, right", page 15</a>	
Hood contact switch -F387-	⇒ <a href="#">F1.2 ront", page 5</a>	
Oil pressure switch, level 3 -F447-	⇒ <a href="#">T1.6.1 FSI, DCGA, front", page 14</a>	
Outside air temperature sensor -G17-	⇒ <a href="#">F1.2 ront", page 5</a>	
Engine speed sensor -G28-	⇒ <a href="#">T1.5.1 FSI CDVC, front", page 9</a>	
Engine speed sensor -G28-	⇒ <a href="#">T1.6.1 FSI, DCGA, front", page 14</a>	
Engine coolant level sensor -G32-	⇒ <a href="#">F1.3 ront, left view", page 7</a>	
Windshield washer fluid level sensor -G33-	⇒ <a href="#">F1.3 ront, left view", page 7</a>	
Camshaft position sensor -G40-	⇒ <a href="#">T1.5.2 FSI CDVC, left", page 10</a>	
Camshaft position sensor -G40-	⇒ <a href="#">T1.6.1 FSI, DCGA, front", page 14</a>	
Right front ABS wheel speed sensor -G45-	⇒ <a href="#">F1.4 ront, right view", page 7</a>	
Left front ABS wheel speed sensor -G47-	⇒ <a href="#">F1.3 ront, left view", page 7</a>	
Knock sensor 1 -G61-	⇒ <a href="#">T1.5.4 FSI CDVC, rear", page 11</a>	

Component	Chapter	Comments
Knock sensor 1 -G61-	<a href="#">⇒ T1.6.5 FSI, DCGA, top", page 17</a>	
Engine coolant temperature sensor -G62-	<a href="#">⇒ T1.5.3 FSI CDVC, right", page 10</a>	
Engine coolant temperature sensor -G62-	<a href="#">⇒ T1.6.2 FSI DCGA, left", page 15</a>	
Knock sensor 2 -G66-	<a href="#">⇒ T1.5.1 FSI CDVC, front", page 9</a>	
Engine coolant temperature sensor on engine -G82-	<a href="#">⇒ T1.5.2 FSI CDVC, left", page 10</a>	
Engine coolant temperature sensor on radiator outlet -G83-	<a href="#">⇒ T1.5.3 FSI CDVC, right", page 10</a>	
Fuel pressure sensor -G247-	<a href="#">⇒ T1.5.1 FSI CDVC, front", page 9</a>	
Fuel pressure sensor -G247-	<a href="#">⇒ T1.6.1 FSI, DCGA, front", page 14</a>	
Right front parking aid sensor -G252-	<a href="#">⇒ F1.2 ront", page 5</a>	
Right front center parking aid sensor -G253-	<a href="#">⇒ F1.2 ront", page 5</a>	
Left front center parking aid sensor -G254-	<a href="#">⇒ F1.2 ront", page 5</a>	
Left front parking aid sensor -G255-	<a href="#">⇒ F1.2 ront", page 5</a>	
Oil level thermal sensor -G266-	<a href="#">⇒ T1.5.2 FSI CDVC, left", page 10</a>	
Oil level thermal sensor -G266-	<a href="#">⇒ T1.6.2 FSI DCGA, left", page 15</a>	
Driver front airbag crash sensor -G283-	<a href="#">⇒ F1.2 ront", page 5</a>	
Passenger side front airbag crash sensor -G284-	<a href="#">⇒ F1.2 ront", page 5</a>	
Camshaft position sensor 3 -G300-	<a href="#">⇒ T1.6.5 FSI, DCGA, top", page 17</a>	
Intake manifold runner position sensor -G336-	<a href="#">⇒ T1.6.5 FSI, DCGA, top", page 17</a>	
Low fuel pressure sensor -G410-	<a href="#">⇒ T1.5.3 FSI CDVC, right", page 10</a>	
Low fuel pressure sensor -G410-	<a href="#">⇒ T1.6.1 FSI, DCGA, front", page 14</a>	
Left front parallel parking assistance sensor -G568-	<a href="#">⇒ F1.2 ront", page 5</a>	
Right front parallel parking assistance sensor -G569-	<a href="#">⇒ F1.2 ront", page 5</a>	
Vacuum sensor -G608-	<a href="#">⇒ F1.4 ront, right view", page 7</a>	Only for vehicles with 2.0L gasoline engine
Vacuum sensor -G608-	<a href="#">⇒ F1.4 ront, right view", page 7</a>	Only for vehicles with 3.6L gasoline engine
Refrigerant circuit pressure sensor -G805-	<a href="#">⇒ F1.4 ront, right view", page 7</a>	
Throttle valve control module -GX3-	<a href="#">⇒ T1.5.4 FSI CDVC, rear", page 11</a>	
Throttle valve control module -GX3-	<a href="#">⇒ T1.6.1 FSI, DCGA, front", page 14</a>	
Oxygen sensor 1 after catalytic converter -GX7-	<a href="#">⇒ T1.5.4 FSI CDVC, rear", page 11</a>	
Oxygen sensor 1 after catalytic converter -GX7-	<a href="#">⇒ T1.6.4 FSI, DCGA, rear", page 16</a>	
Oxygen sensor 2 after catalytic converter -GX8-	<a href="#">⇒ T1.5.4 FSI CDVC, rear", page 11</a>	
Intake manifold sensor -GX9-	<a href="#">⇒ T1.6.5 FSI, DCGA, top", page 17</a>	
Oxygen sensor 1 before catalytic converter -GX10-	<a href="#">⇒ T1.5.4 FSI CDVC, rear", page 11</a>	

Component	Chapter	Comments
Oxygen sensor 1 before catalytic converter -GX10-	⇒ <a href="#">T1.6.4 FSI, DCGA, rear", page 16</a>	
Oxygen sensor 2 before catalytic converter -GX11-	⇒ <a href="#">T1.5.4 FSI CDVC, rear", page 11</a>	
Engine temperature control module -GX33-	⇒ <a href="#">T1.6.1 FSI, DCGA, front", page 14</a>	
Charge air pressure control module -GX34-	⇒ <a href="#">T1.6.2 FSI DCGA, left", page 15</a>	
Mass Airflow Measurement Module -GX35-	⇒ <a href="#">T1.5.5 FSI CDVC, top", page 12</a>	
Anti-theft alarm system horn -H8-	⇒ <a href="#">F1.3 ront, left view", page 7</a>	
Left horn -H33-	⇒ <a href="#">F1.2 ront", page 5</a>	
Right horn -H34-	⇒ <a href="#">F1.2 ront", page 5</a>	
ABS control module -J104-	⇒ <a href="#">F1.3 ront, left view", page 7</a>	
Transmission control module -J217-	⇒ <a href="#">F1.3 ront, left view", page 7</a>	
Auxiliary heater control module -J364-	⇒ <a href="#">F1.4 ront, right view", page 7</a>	
Battery monitoring control module -J367-	⇒ <a href="#">F1.3 ront, left view", page 7</a>	
Distance regulation control module -J428-	⇒ <a href="#">F1.2 ront", page 5</a>	
Power steering control module -J500-	⇒ <a href="#">F1.4 ront, right view", page 7</a>	
Garage door opener control module -J530-	⇒ <a href="#">F1.2 ront", page 5</a>	
Engine control module -J623-	⇒ <a href="#">F1.4 ront, right view", page 7</a>	
Left front fog lamp bulb -L22-	⇒ <a href="#">F1.2 ront", page 5</a>	
Right front fog lamp bulb -L23-	⇒ <a href="#">F1.2 ront", page 5</a>	
Left front headlamp -MX1-	⇒ <a href="#">F1.2 ront", page 5</a>	
Right front headlamp -MX2-	⇒ <a href="#">F1.2 ront", page 5</a>	
Cylinder 1 fuel injector -N30-	⇒ <a href="#">T1.5.5 FSI CDVC, top", page 12</a>	
Cylinder 1 fuel injector -N30-	⇒ <a href="#">T1.6.5 FSI, DCGA, top", page 17</a>	
Cylinder 2 fuel injector -N31-	⇒ <a href="#">T1.5.5 FSI CDVC, top", page 12</a>	
Cylinder 2 fuel injector -N31-	⇒ <a href="#">T1.6.5 FSI, DCGA, top", page 17</a>	
Cylinder 3 fuel injector -N32-	⇒ <a href="#">T1.5.5 FSI CDVC, top", page 12</a>	
Cylinder 3 fuel injector -N32-	⇒ <a href="#">T1.6.5 FSI, DCGA, top", page 17</a>	
Cylinder 4 fuel injector -N33-	⇒ <a href="#">T1.5.5 FSI CDVC, top", page 12</a>	
Cylinder 4 fuel injector -N33-	⇒ <a href="#">T1.6.5 FSI, DCGA, top", page 17</a>	
Ignition coil 1 with power output stage -N70-	⇒ <a href="#">T1.5.5 FSI CDVC, top", page 12</a>	
Ignition coil 1 with power output stage -N70-	⇒ <a href="#">T1.6.5 FSI, DCGA, top", page 17</a>	
Positive crankcase ventilation heating element -N79-	⇒ <a href="#">T1.5.5 FSI CDVC, top", page 12</a>	
EVAP canister purge regulator valve 1 -N80-	⇒ <a href="#">T1.5.4 FSI CDVC, rear", page 11</a>	
EVAP canister purge regulator valve 1 -N80-	⇒ <a href="#">T1.6.5 FSI, DCGA, top", page 17</a>	

Component	Chapter	Comments
Coolant shut-off valve -N82-	⇒ <a href="#">T1.5.2 FSI CDVC, left", page 10</a>	
Cylinder 5 fuel injector -N83-	⇒ <a href="#">T1.5.5 FSI CDVC, top", page 12</a>	
Cylinder 6 fuel injector -N84-	⇒ <a href="#">T1.5.5 FSI CDVC, top", page 12</a>	
Ignition coil 2 with power output stage -N127-	⇒ <a href="#">T1.5.5 FSI CDVC, top", page 12</a>	
Ignition coil 2 with power output stage -N127-	⇒ <a href="#">T1.6.5 FSI, DCGA, top", page 17</a>	
Camshaft adjustment valve 1 -N205-	⇒ <a href="#">T1.5.2 FSI CDVC, left", page 10</a>	
Camshaft adjustment valve 1 -N205-	⇒ <a href="#">T1.6.3 FSI, DCGA, right", page 15</a>	
Turbocharger recirculation valve -N249-	⇒ <a href="#">T1.6.2 FSI DCGA, left", page 15</a>	
Fuel pressure regulator valve -N276-	⇒ <a href="#">T1.5.1 FSI CDVC, front", page 9</a>	
Fuel pressure regulator valve -N276-	⇒ <a href="#">T1.6.5 FSI, DCGA, top", page 17</a>	
A/C compressor regulator valve -N280-	⇒ <a href="#">T1.5.1 FSI CDVC, front", page 9</a>	
A/C compressor regulator valve -N280-	⇒ <a href="#">T1.6.1 FSI, DCGA, front", page 14</a>	
Ignition coil 3 with power output stage -N291-	⇒ <a href="#">T1.5.5 FSI CDVC, top", page 12</a>	
Ignition coil 3 with power output stage -N291-	⇒ <a href="#">T1.6.5 FSI, DCGA, top", page 17</a>	
Ignition coil 4 with power output stage -N292-	⇒ <a href="#">T1.5.5 FSI CDVC, top", page 12</a>	
Ignition coil 4 with power output stage -N292-	⇒ <a href="#">T1.6.5 FSI, DCGA, top", page 17</a>	
Intake manifold runner control valve -N316-	⇒ <a href="#">T1.5.1 FSI CDVC, front", page 9</a>	
Intake manifold runner control valve -N316-	⇒ <a href="#">T1.6.5 FSI, DCGA, top", page 17</a>	
Exhaust camshaft adjustment valve 1 -N318-	⇒ <a href="#">T1.5.2 FSI CDVC, left", page 10</a>	
Exhaust camshaft adjustment valve 1 -N318-	⇒ <a href="#">T1.6.3 FSI, DCGA, right", page 15</a>	
Ignition coil 5 with power output stage -N323-	⇒ <a href="#">T1.5.5 FSI CDVC, top", page 12</a>	
Ignition coil 6 with power output stage -N324-	⇒ <a href="#">T1.5.5 FSI CDVC, top", page 12</a>	
Compressor magnetic clutch -N421-	⇒ <a href="#">T1.5.1 FSI CDVC, front", page 9</a>	
Oil pressure regulation valve -N428-	⇒ <a href="#">T1.6.3 FSI, DCGA, right", page 15</a>	
Transmission coolant valve -N488-	⇒ <a href="#">T1.5.2 FSI CDVC, left", page 10</a>	
Coolant regulation valve -N515-	⇒ <a href="#">T1.5.3 FSI CDVC, right", page 10</a>	
Piston cooling nozzle control valve -N522-	⇒ <a href="#">T1.6.3 FSI, DCGA, right", page 15</a>	
Cylinder 1 exhaust cam actuator A -N580-	⇒ <a href="#">T1.6.5 FSI, DCGA, top", page 17</a>	
Cylinder 1 exhaust cam actuator B -N581-	⇒ <a href="#">T1.6.5 FSI, DCGA, top", page 17</a>	
Cylinder 2 exhaust cam actuator A -N588-	⇒ <a href="#">T1.6.5 FSI, DCGA, top", page 17</a>	
Cylinder 2 exhaust cam actuator B -N589-	⇒ <a href="#">T1.6.5 FSI, DCGA, top", page 17</a>	
Cylinder 3 exhaust cam actuator A -N596-	⇒ <a href="#">T1.6.5 FSI, DCGA, top", page 17</a>	
Cylinder 3 exhaust cam actuator B -N597-	⇒ <a href="#">T1.6.5 FSI, DCGA, top", page 17</a>	

Component	Chapter	Comments
Cylinder 4 exhaust cam actuator A -N604-	⇒ <a href="#">T1.6.5 FSI, DCGA, top", page 17</a>	
Cylinder 4 exhaust cam actuator B -N605-	⇒ <a href="#">T1.6.5 FSI, DCGA, top", page 17</a>	
Transmission -NX1-	⇒ <a href="#">01.7 9P", page 18</a>	
Front peripheral camera -R243-	⇒ <a href="#">F1.2 ront", page 5</a>	
Exterior socket, 230 V, 110 V -U8-	⇒ <a href="#">F1.2 ront", page 5</a>	
Windshield wiper motor -V-	⇒ <a href="#">F1.3 ront, left view", page 7</a>	
Coolant recirculation pump -V50-	⇒ <a href="#">T1.5.1 FSI CDVC, front", page 9</a>	
Windshield and rear window washer pump -V59-	⇒ <a href="#">F1.3 ront, left view", page 7</a>	
Transmission fluid cooling pump -V478-	⇒ <a href="#">T1.6.2 FSI DCGA, left", page 15</a>	
Heater support pump -V488-	⇒ <a href="#">T1.5.2 FSI CDVC, left", page 10</a>	
Heater support pump -V488-	⇒ <a href="#">T1.6.2 FSI DCGA, left", page 15</a>	
Radiator shutter motor -V544-	⇒ <a href="#">F1.2 ront", page 5</a>	
Radiator fan -VX57-	⇒ <a href="#">F1.3 ront, left view", page 7</a>	
Windshield defogger -Z2-	⇒ <a href="#">F1.4 ront, right view", page 7</a>	Left connection
Windshield defogger -Z2-	⇒ <a href="#">F1.4 ront, right view", page 7</a>	Right connection
Left washer nozzle heater -Z20-	⇒ <a href="#">F1.3 ront, left view", page 7</a>	
Right washer nozzle heater -Z21-	⇒ <a href="#">F1.3 ront, left view", page 7</a>	

## 1.2 Vehicle Front

A - 5-Pin Connector -T5a-, blue / 5-Pin Connector -T5ad-, blue

B - 14-Pin Connector -T14a-, black / 14-Pin Connector -T14r-, black

1 - Right front headlamp -MX2-

- Right headlamp beam adjustment motor -V49-
- Right headlamp power output module -J668-

2 - Passenger side front airbag crash sensor -G284-

3 - Hood contact switch -F387-

4 - Distance regulation control module -J428-

5 - Driver front airbag crash sensor -G283-

6 - Left front headlamp -MX1-

- Left headlamp beam adjustment motor -V48-
- Left headlamp power output module -J667-

7 - Left horn -H33-

8 - Left front fog lamp bulb -L22-

9 - Left front parallel parking assistance sensor -G568-

10 - Left front parking aid sensor -G255-

11 - Exterior socket, 230 V, 110 V -U8-

12 - Radiator shutter motor -V544-

13 - Left front center parking aid sensor -G254-

14 - Outside air temperature sensor -G17-

15 - Garage door opener control module -J530-

16 - Front peripheral camera -R243-

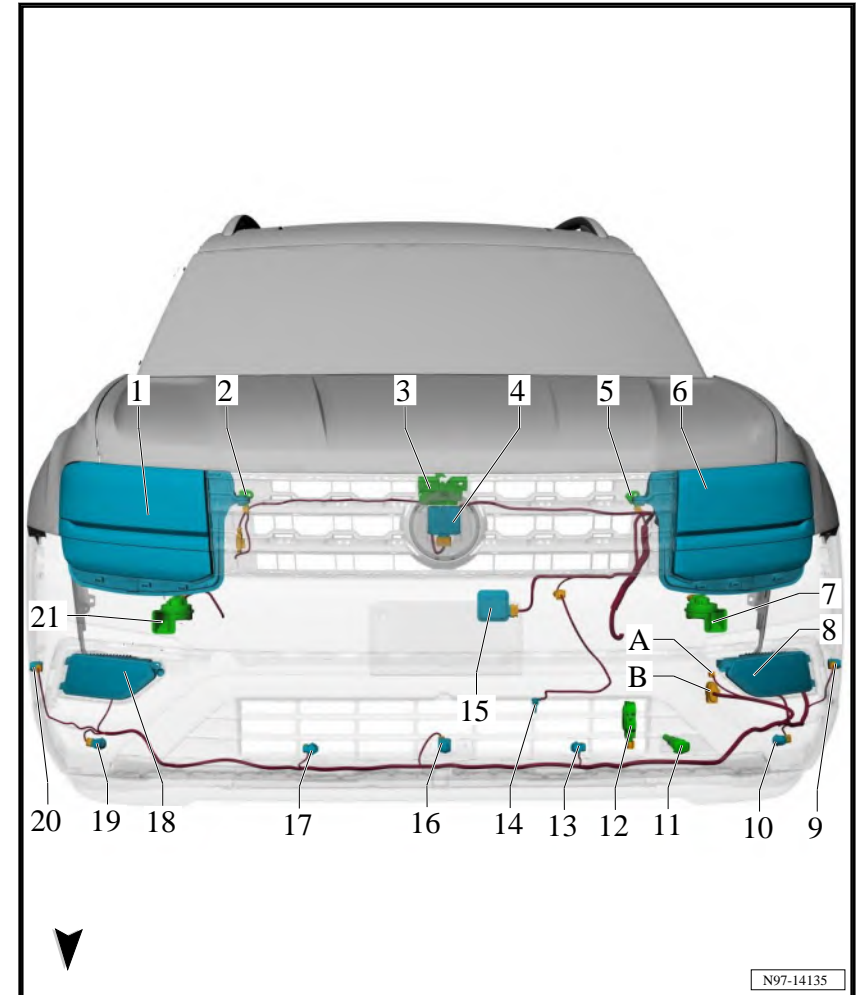
17 - Right front center parking aid sensor -G253-

18 - Right front fog lamp bulb -L23-

19 - Right front parking aid sensor -G252-

20 - Right front parallel parking assistance sensor -G569-

21 - Right horn -H34-



Volkswagen Technical Site: <https://vwts.ru>



Return to overview ⇒ [page 1](#)

### 1.3 Vehicle Front, left view

A - 14-Pin Connector -T14o-, gray / 14-Pin Connector -T14t-, gray

B - 4-Pin Connector -T4br-, black / 4-Pin Connector -T4cj-, black

1 - Engine coolant level sensor -G32-

2 - Right washer nozzle heater -Z21-

3 - Anti-theft alarm system horn -H8-

4 - Left washer nozzle heater -Z20-

5 - Windshield wiper motor -V-

□ Wiper motor control module -J400-

□ Driver windshield wiper motor -V216-

6 - Transmission control module -J217-

7 - Battery monitoring control module -J367-

8 - Battery -A-

9 - Left front ABS wheel speed sensor -G47-

10 - Windshield and rear window washer pump -V59-

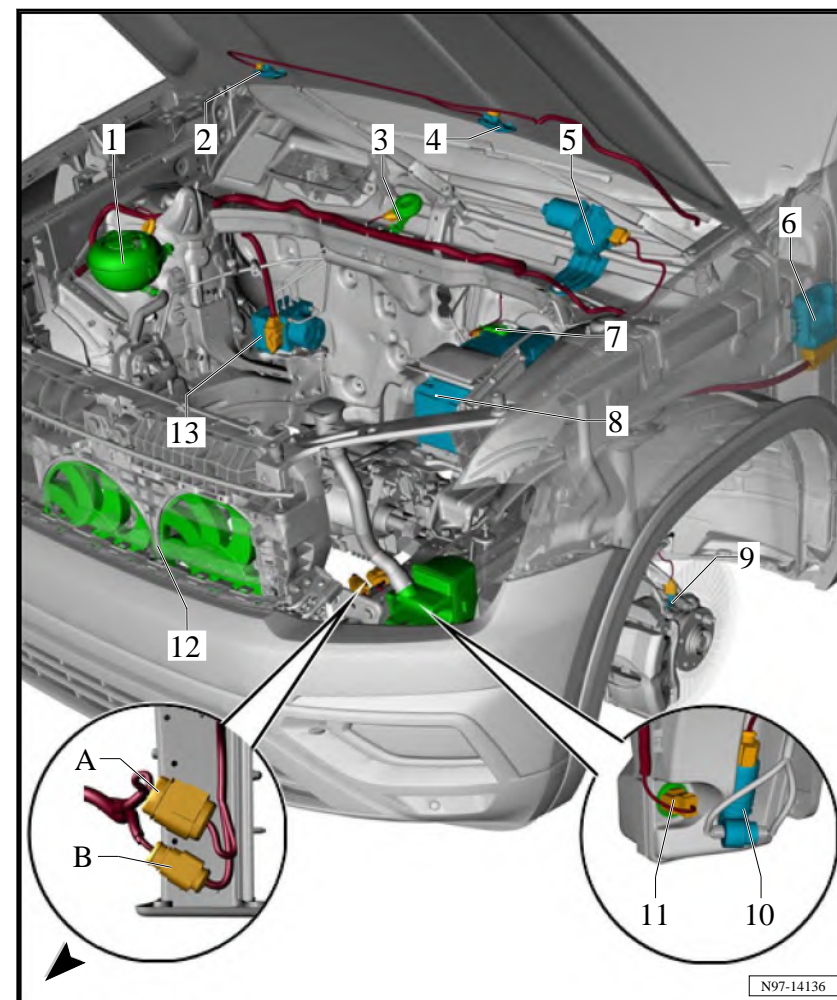
11 - Windshield washer fluid level sensor -G33-

12 - Radiator fan -VX57-

□ Radiator fan control module -J293-

□ Radiator fan 2 -V177-

13 - ABS control module -J104-



Return to overview ⇒ [page 1](#)

### 1.4 Vehicle Front, right view

A - 6-Pin Connector -T6i-, black / 6-Pin Connector -T6u-, black

1 - Vacuum sensor -G608-

- Only for vehicles with 2.0L gasoline engine
- For vehicles with 3.6L gasoline engine see [⇒ Item 2 \(page 8\)](#)

2 - Vacuum sensor -G608-

- Only for vehicles with 3.6L gasoline engine
- For vehicles with 2.0L gasoline engine see [⇒ Item 1 \(page 8\)](#)

3 - Brake fluid level warning switch -F34-

4 - Windshield defogger -Z2-

- Left connection
- Right connection [⇒ Item 11 \(page 8\)](#)

5 - Engine control module -J623-

6 - Brake lamp switch -F-

7 - Power steering control module -J500-

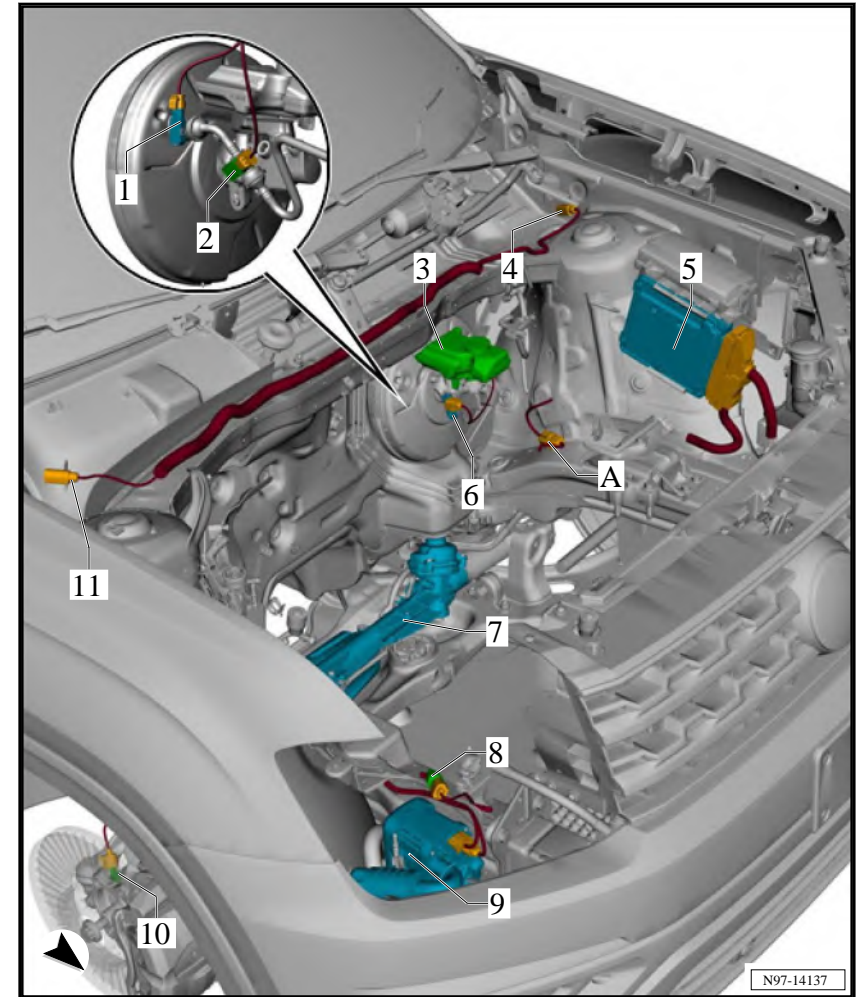
8 - Refrigerant circuit pressure sensor -G805-

9 - Auxiliary heater control module -J364-

10 - Right front ABS wheel speed sensor -G45-

11 - Windshield defogger -Z2-

- Right connection
- Left connection [⇒ Item 4 \(page 8\)](#)



Return to overview [⇒ page 1](#)

### 1.5 3.6L TFSI, CDVC

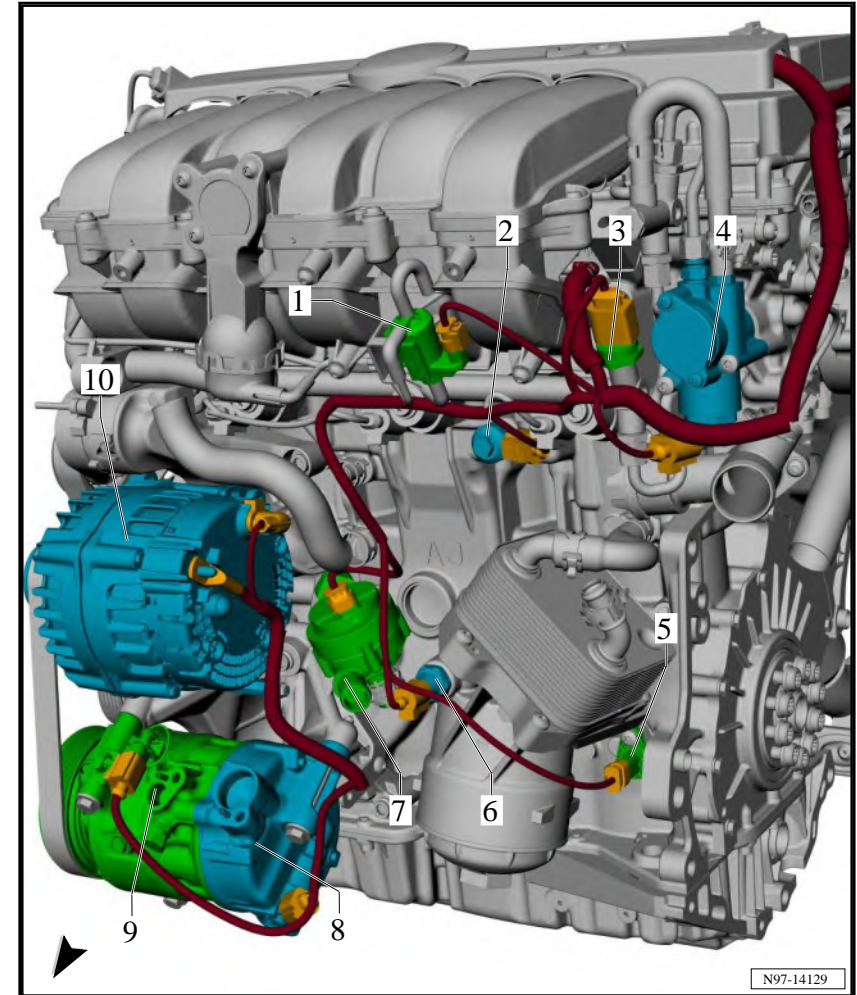
- ◆ [⇒ T1.5.1 FSI CDVC, front", page 9](#)
- ◆ [⇒ T1.5.2 FSI CDVC, left", page 10](#)
- ◆ [⇒ T1.5.3 FSI CDVC, right", page 10](#)

◆ ⇒ [T1.5.4 FSI CDVC, rear](#), page 11

◆ ⇒ [T1.5.5 FSI CDVC, top](#), page 12

### 1.5.1 3.6L TFSI CDVC, front

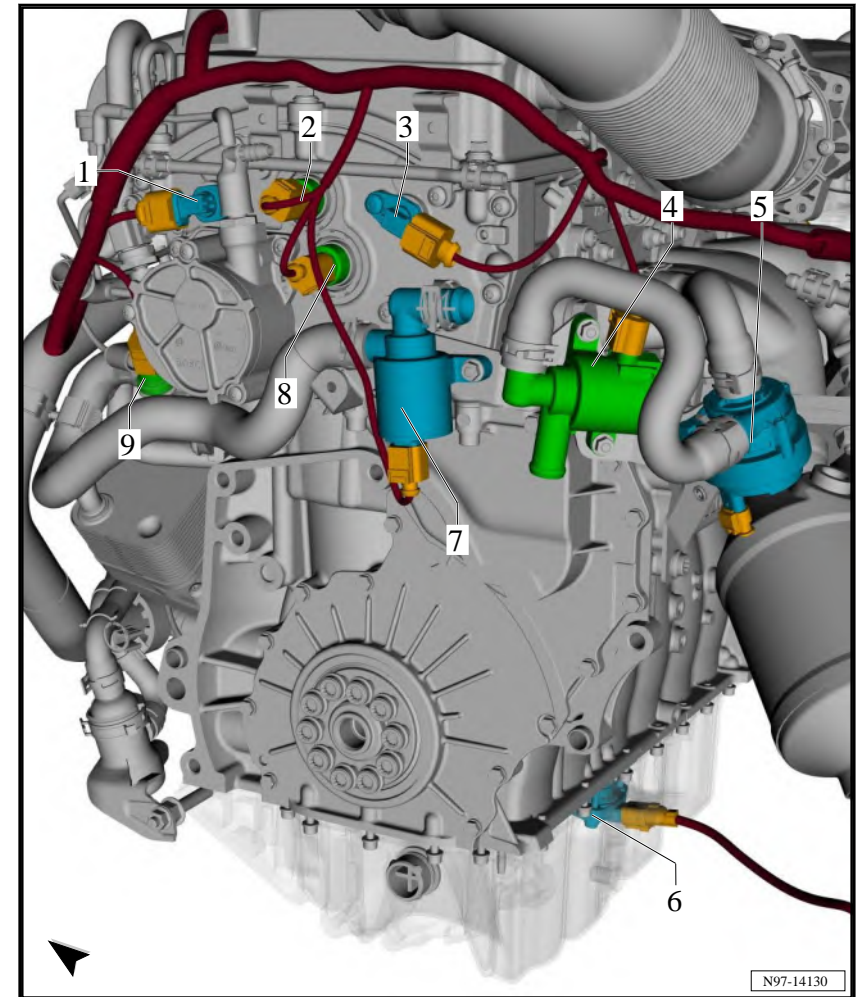
- 1 - Intake manifold runner control valve -N316-
- 2 - Knock sensor 2 -G66-
- 3 - Fuel pressure sensor -G247-
- 4 - Fuel pressure regulator valve -N276-
- 5 - Engine speed sensor -G28-
- 6 - Oil pressure switch -F1-
- 7 - Coolant recirculation pump -V50-
- 8 - A/C compressor regulator valve -N280-
- 9 - Compressor magnetic clutch -N421-
- 10 - Generator with voltage regulator -CX1-



Return to overview ⇒ [page 1](#)

1.5.2 3.6L TFSI CDVC, left

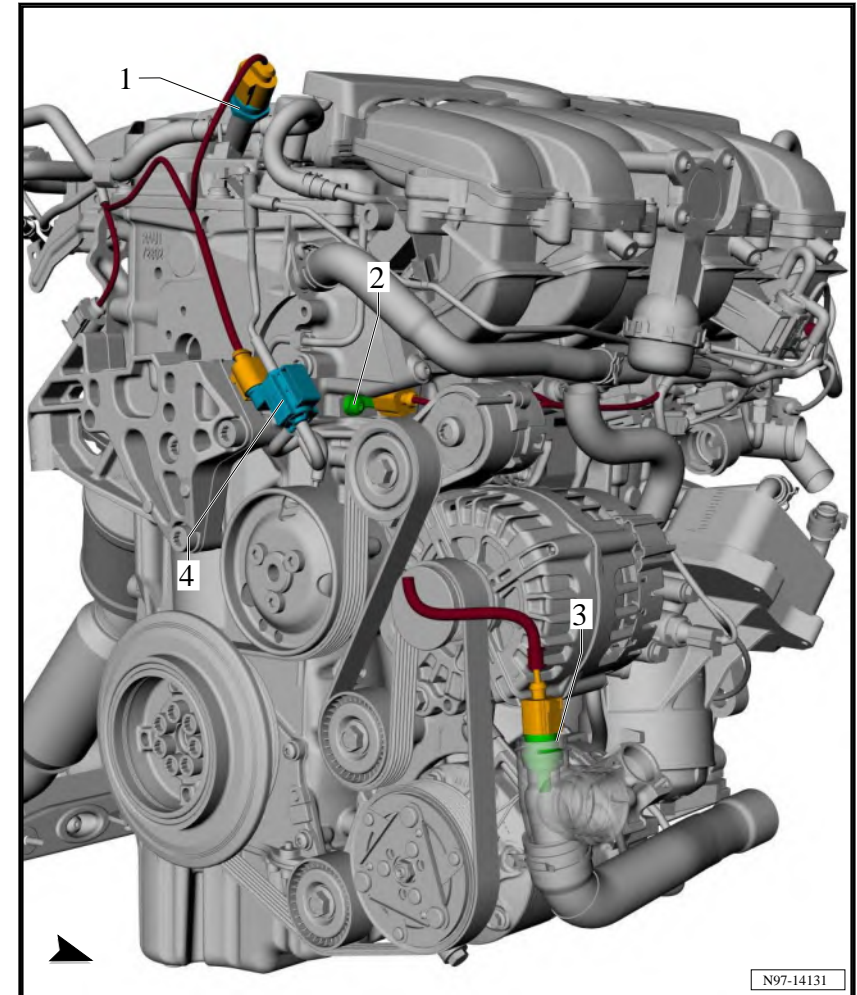
- 1 - Camshaft position sensor -G40-
- 2 - Camshaft adjustment valve 1 -N205-
- 3 - Exhaust Camshaft Position Sensor -G1003-
- 4 - Coolant shut-off valve -N82-
- 5 - Heater support pump -V488-
- 6 - Oil level thermal sensor -G266-
- 7 - Transmission coolant valve -N488-
- 8 - Exhaust camshaft adjustment valve 1 -N318-
- 9 - Engine coolant temperature sensor on engine -G82-



Return to overview ⇒ [page 1](#)

1.5.3 3.6L TFSI CDVC, right

- 1 - Low fuel pressure sensor -G410-
- 2 - Engine coolant temperature sensor -G62-
- 3 - Engine coolant temperature sensor on radiator outlet -G83-
- 4 - Coolant regulation valve -N515-



Return to overview ⇒ [page 1](#)

1.5.4 3.6L TFSI CDVC, rear

**1 - Throttle valve control module -GX3-**

- Throttle valve control module -J338-
- EPC throttle drive -G186-
- EPC throttle drive angle sensor 1 -G187-

**2 - Knock sensor 1 -G61-**

**3 - EVAP canister purge regulator valve 1 -N80-**

**4 - Oxygen sensor 1 before catalytic converter -GX10-**

- Heated oxygen sensor -G39-

**5 - Oxygen sensor 1 after catalytic converter -GX7-**

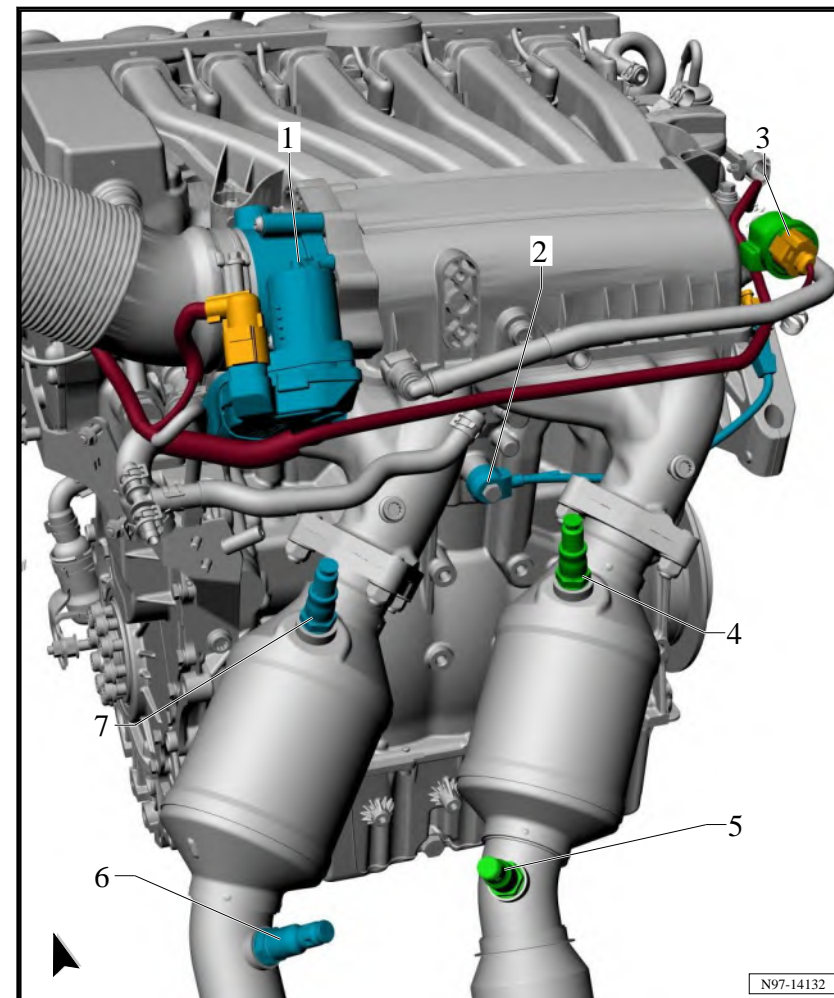
- Oxygen sensor after catalytic converter -G130-

**6 - Oxygen sensor 2 after catalytic converter -GX8-**

- Oxygen sensor 2 after catalytic converter -G131-

**7 - Oxygen sensor 2 before catalytic converter -GX11-**

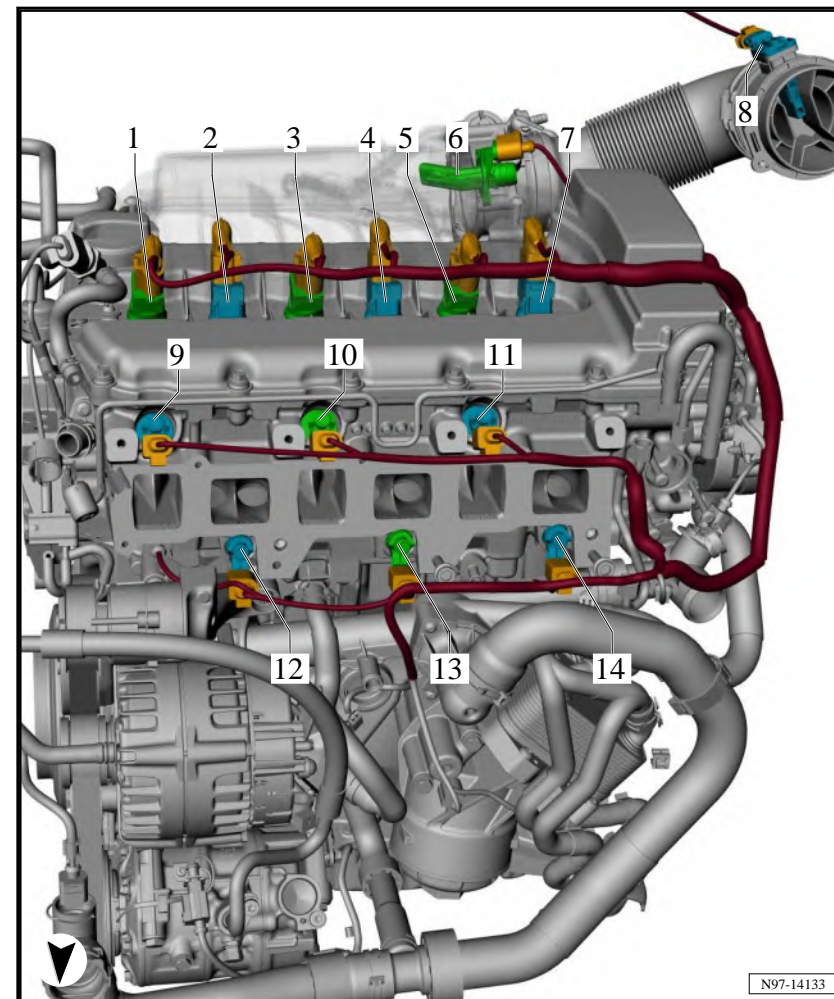
- Heated oxygen sensor 2 -G108-



Return to overview ⇒ [page 1](#)

1.5.5 3.6L TFSI CDVC, top

- 1 - Ignition coil 1 with power output stage -N70-
- 2 - Ignition coil 2 with power output stage -N127-
- 3 - Ignition coil 3 with power output stage -N291-
- 4 - Ignition coil 4 with power output stage -N292-
- 5 - Ignition coil 5 with power output stage -N323-
- 6 - Positive crankcase ventilation heating element -N79-
- 7 - Ignition coil 6 with power output stage -N324-
- 8 - Mass Airflow Measurement Module -GX35-
- 9 - Cylinder 1 fuel injector -N30-
- 10 - Cylinder 3 fuel injector -N32-
- 11 - Cylinder 5 fuel injector -N83-
- 12 - Cylinder 2 fuel injector -N31-
- 13 - Cylinder 4 fuel injector -N33-
- 14 - Cylinder 6 fuel injector -N84-



Return to overview ⇒ [page 1](#)

## 1.6 2.0L TFSI, DCGA

- ◆ ⇒ [T1.6.1 FSI, DCGA, front", page 14](#)
- ◆ ⇒ [T1.6.2 FSI DCGA, left", page 15](#)
- ◆ ⇒ [T1.6.3 FSI, DCGA, right", page 15](#)

◆ ⇒ T1.6.4 FSI, DCGA, rear”, page 16

◆ ⇒ T1.6.5 FSI, DCGA, top”, page 17

### 1.6.1 2.0L TFSI, DCGA, front

A - Not installed

B - 8-Pin Connector -T8ax-, black /  
8-Pin Connector -T8bg-, black

C - 14-Pin Connector -T14v-, black /  
14-Pin Connector -T14af-, black

1 - Cylinder 1 fuel injector 2 -N532- Not for NAR

2 - Cylinder 2 fuel injector 2 -N533- Not for NAR

3 - Cylinder 3 fuel injector 2 -N534- Not for NAR

4 - Cylinder 4 fuel injector 2 -N535- Not for NAR

5 - Camshaft position sensor -G40-

6 - Oil pressure switch, level 3 -F447-

7 - Engine speed sensor -G28-

8 - Engine temperature control module -GX33-

□ Engine temperature control actuator -N493-

9 - A/C compressor regulator valve -N280-

10 - Throttle valve control module -GX3-

□ Throttle valve control module -J338-

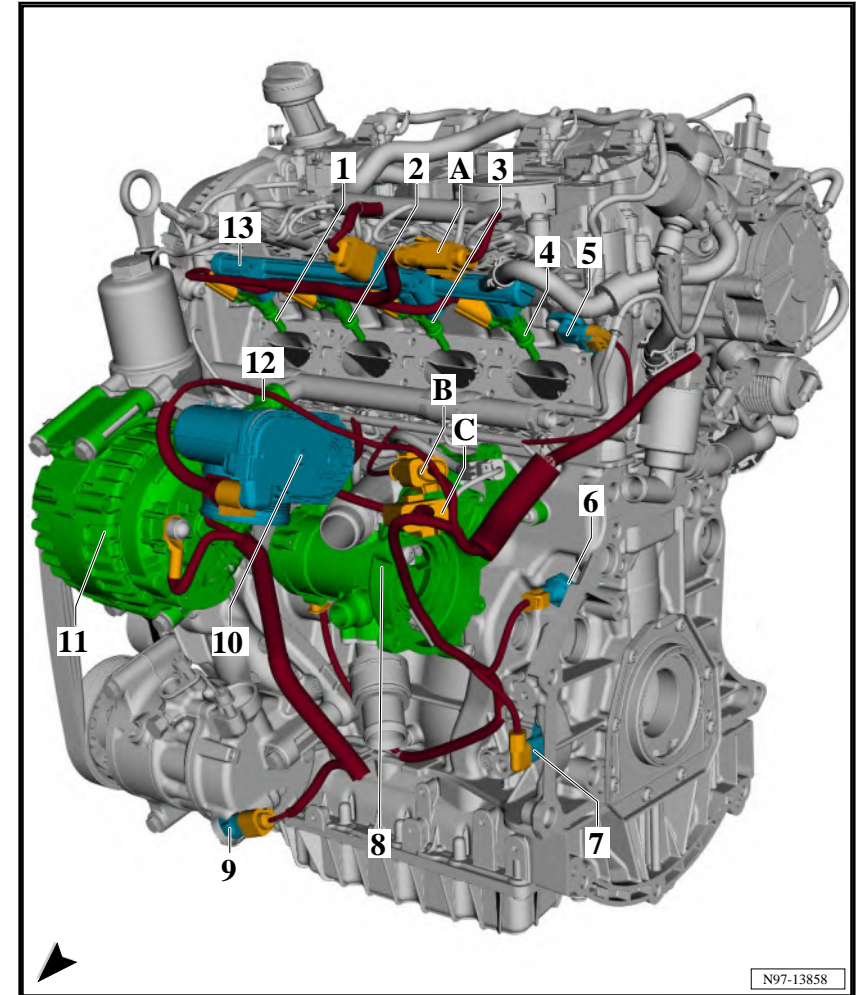
□ EPC throttle drive -G186-

□ EPC throttle drive angle sensor 1 -G187-

11 - Generator with voltage regulator -CX1-

12 - Fuel pressure sensor -G247-

13 - Low fuel pressure sensor -G410-

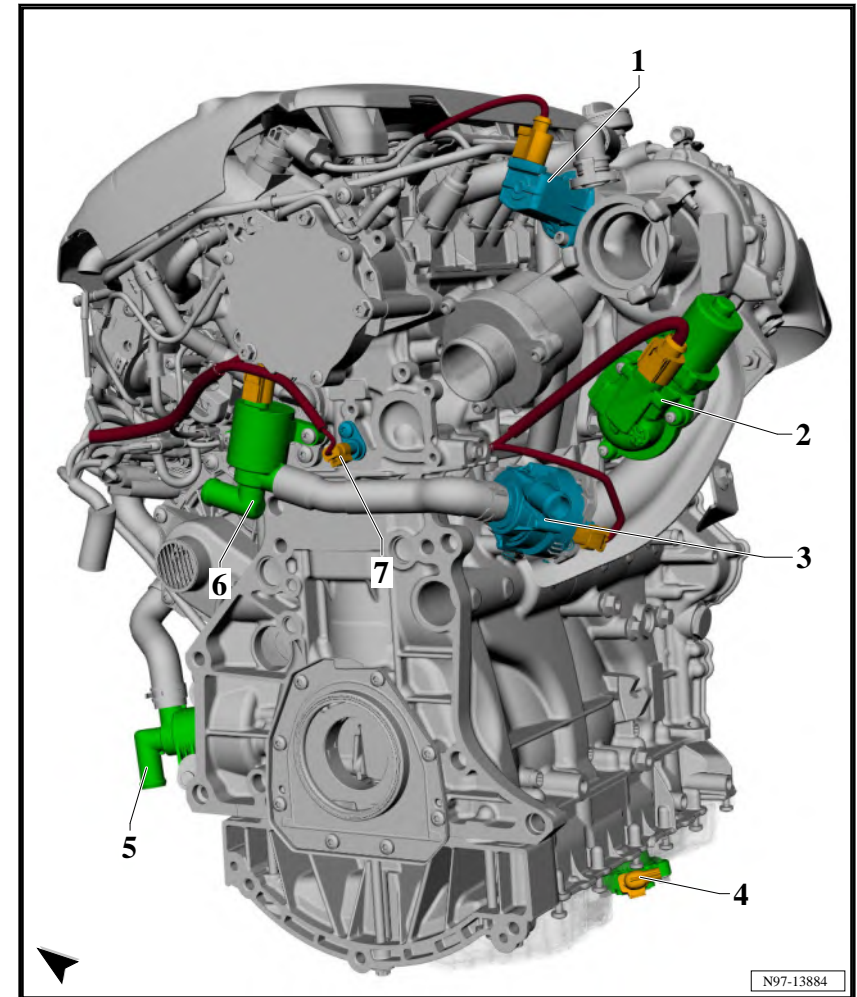




Return to overview ⇒ [page 1](#)

1.6.2 2.0L TFSI DCGA, left

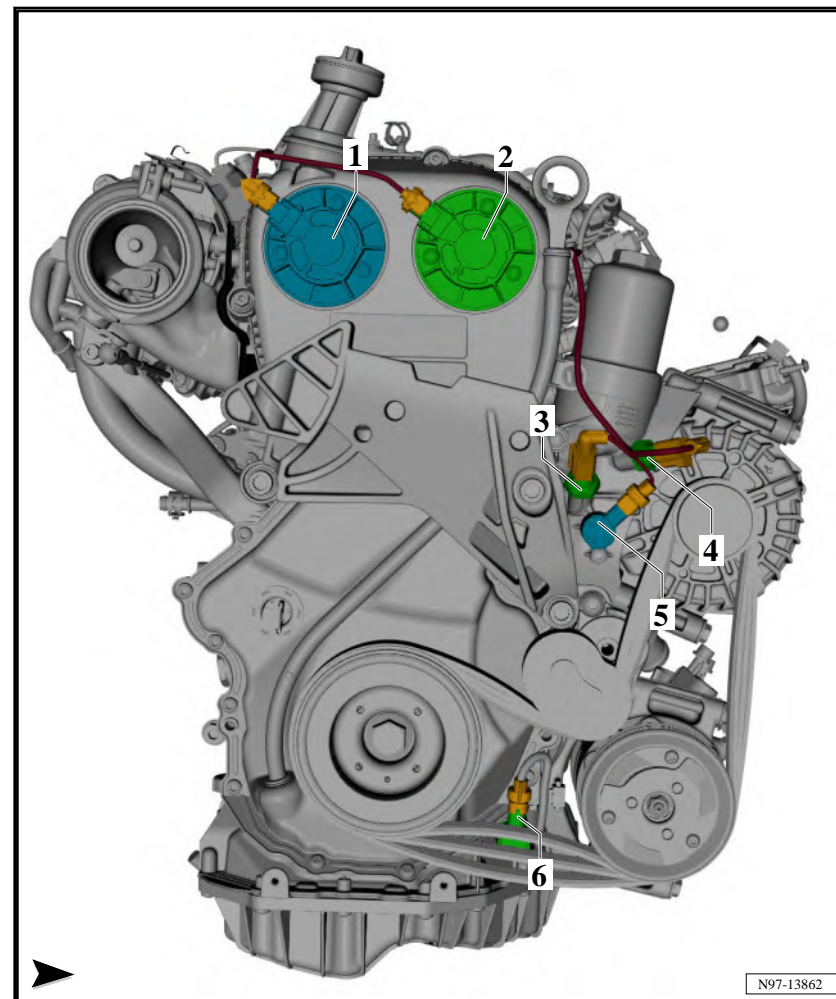
- 1 - Turbocharger recirculation valve -N249-
- 2 - Charge air pressure control module -GX34-
  - Charge air pressure actuator position sensor -G581-
  - Charge air pressure actuator -V465-
- 3 - Heater support pump -V488-
- 4 - Oil level thermal sensor -G266-
- 5 - Transmission fluid cooling pump -V478-
- 6 - Not installed
- 7 - Engine coolant temperature sensor -G62-



Return to overview ⇒ [page 1](#)

1.6.3 2.0L TFSI, DCGA, right

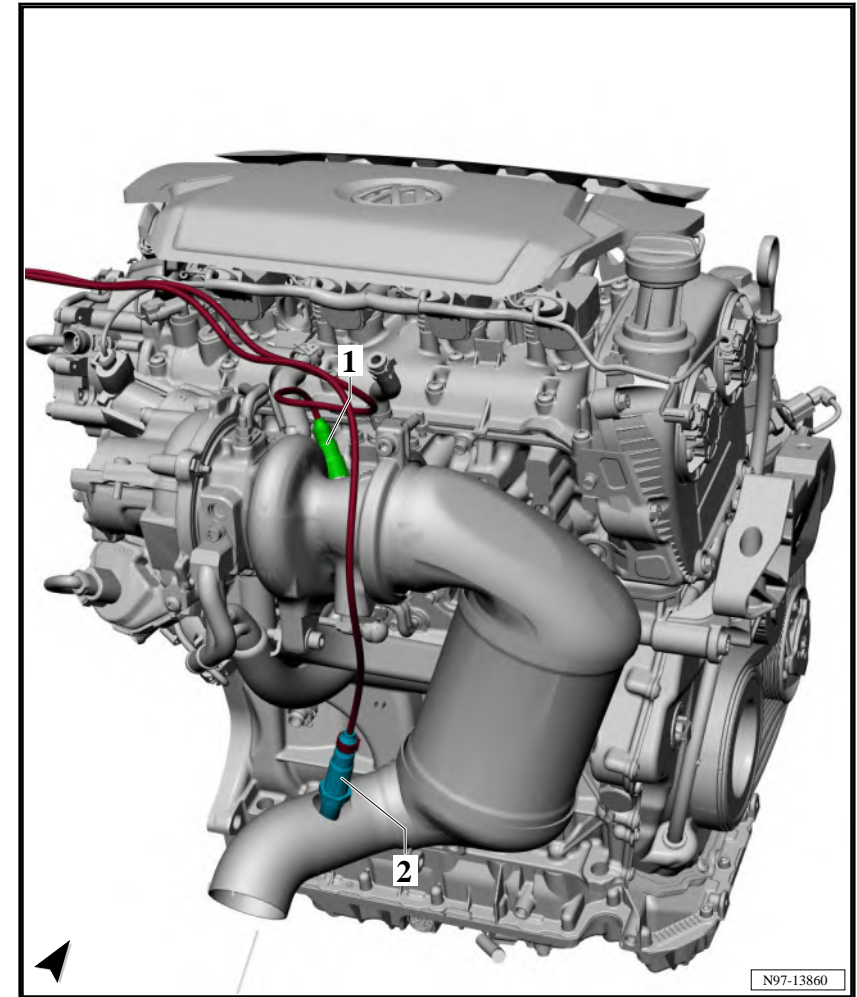
- 1 - Exhaust camshaft adjustment valve 1 -N318-
- 2 - Camshaft adjustment valve 1 -N205-
- 3 - Oil pressure switch -F1-
- 4 - Reduced oil pressure switch -F378-
- 5 - Piston cooling nozzle control valve -N522-
- 6 - Oil pressure regulation valve -N428-



Return to overview ⇒ [page 1](#)

1.6.4 2.0L TFSI, DCGA, rear

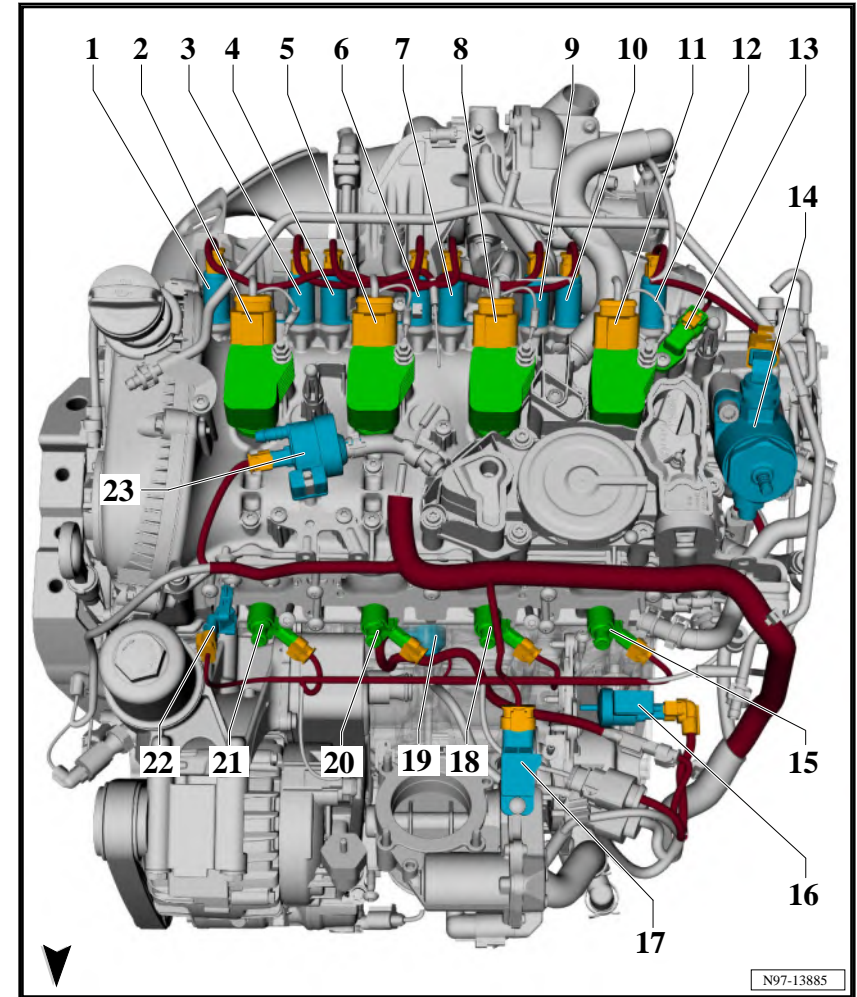
- 1 - Oxygen sensor 1 before catalytic converter -GX10-
  - Heated oxygen sensor -G39-
- 2 - Oxygen sensor 1 after catalytic converter -GX7-
  - Oxygen sensor after catalytic converter -G130-



Return to overview ⇒ [page 1](#)

1.6.5 2.0L TFSI, DCGA, top

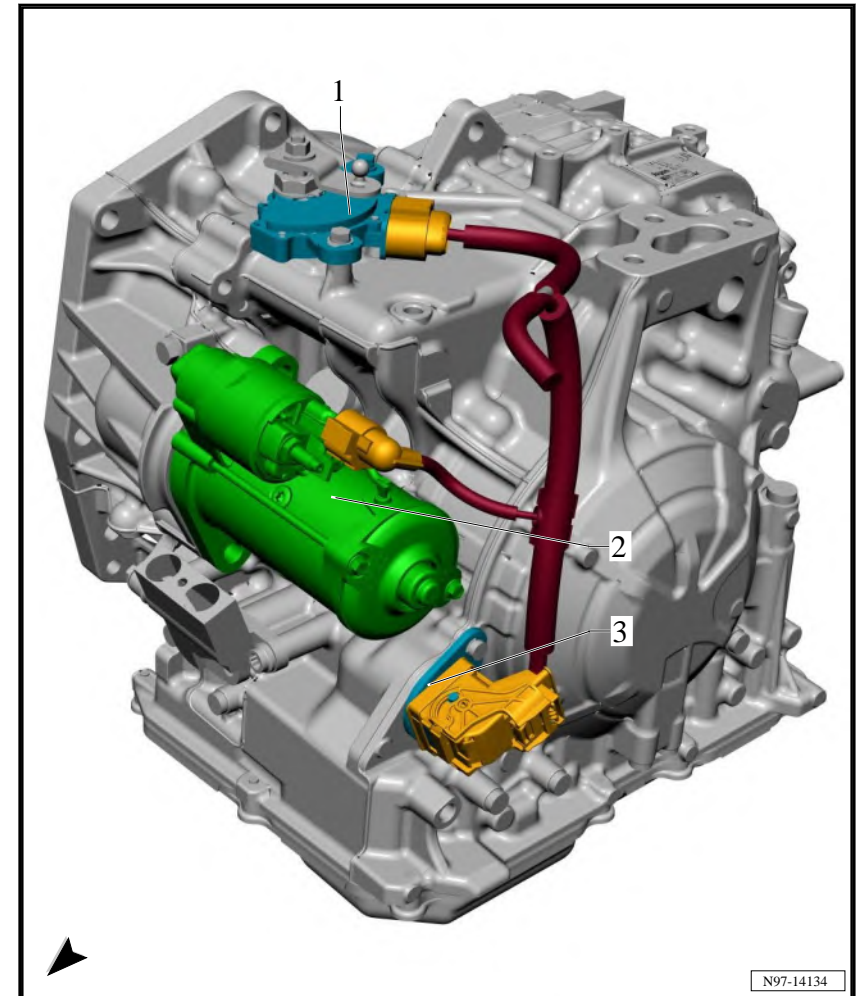
- 1 - Cylinder 1 exhaust cam actuator A -N580-
- 2 - Ignition coil 1 with power output stage -N70-
- 3 - Cylinder 1 exhaust cam actuator B -N581-
- 4 - Cylinder 2 exhaust cam actuator B -N589-
- 5 - Ignition coil 2 with power output stage -N127-
- 6 - Cylinder 2 exhaust cam actuator A -N588-
- 7 - Cylinder 3 exhaust cam actuator A -N596-
- 8 - Ignition coil 3 with power output stage -N291-
- 9 - Cylinder 3 exhaust cam actuator B -N597-
- 10 - Cylinder 4 exhaust cam actuator B -N605-
- 11 - Ignition coil 4 with power output stage -N292-
- 12 - Cylinder 4 exhaust cam actuator A -N604-
- 13 - Camshaft position sensor 3 -G300-
- 14 - Fuel pressure regulator valve -N276-
- 15 - Cylinder 4 fuel injector -N33-
- 16 - Intake manifold runner control valve -N316-
- 17 - Intake manifold sensor -GX9-
  - Intake air temperature sensor -G42-
  - Manifold absolute pressure sensor -G71-
- 18 - Cylinder 3 fuel injector -N32-
- 19 - Knock sensor 1 -G61-
- 20 - Cylinder 2 fuel injector -N31-
- 21 - Cylinder 1 fuel injector -N30-
- 22 - Intake manifold runner position sensor -G336-
- 23 - EVAP canister purge regulator valve 1 -N80-



Return to overview [⇒ page 1](#)

## 1.7 Transmission 09P

- 1 - Multifunction transmission range switch -F125-
- 2 - Starter -B-
- 3 - Transmission -NX1-



Return to overview ⇒ [page 1](#)

## 1 Comp. loc.: Vehicle Cabin

- ◆ ⇒ [“1.2 Front of vehicle interior”, page 7](#)
- ◆ ⇒ [“1.3 Rear Vehicle Interior”, page 16](#)
- ◆ ⇒ [“1.4 Roof”, page 19](#)
- ◆ ⇒ [“1.5 Doors”, page 22](#)
- ◆ ⇒ [“1.6 HVAC”, page 26](#)

### 1.1 Component Index

Component	Chapter	Comments
Anti-theft immobilizer reader coil -D2-	⇒ <a href="#">“1.2.6 Steering column”, page 13</a>	
Turn signal switch -E2-	⇒ <a href="#">“1.2.6 Steering column”, page 13</a>	
Windshield wiper intermittent mode switch -E22-	⇒ <a href="#">“1.2.6 Steering column”, page 13</a>	
Driver seat belt switch -E24-	⇒ <a href="#">“1.2.8 Left front seat”, page 15</a>	
Front passenger seat belt switch -E25-	⇒ <a href="#">“1.2.9 Right front seat”, page 16</a>	
Glove compartment lamp switch -E26-	⇒ <a href="#">“1.2.3 Right front vehicle interior”, page 10</a>	
Driver seat lumbar support adjustment switch -E176-	⇒ <a href="#">“1.2.8 Left front seat”, page 15</a>	
Rear lid remote release button -E233-	⇒ <a href="#">“1.5.1 Driver door”, page 23</a>	
Rear A/C display control head -E265-	⇒ <a href="#">“1.3.3 Rear Center Console”, page 19</a>	
Garage door opener control head -E284-	⇒ <a href="#">“1.2.1 Left front vehicle interior”, page 7</a>	
Driver interior locking button -E308-	⇒ <a href="#">“1.5.1 Driver door”, page 23</a>	
Front passenger interior locking button -E309-	⇒ <a href="#">“1.5.2 Front passenger door”, page 24</a>	
Sunroof button -E325-	⇒ <a href="#">“1.4.3 Roof, Sliding/Tilting Sunroof, 3FU”, page 22</a>	
Start system button -E378-	⇒ <a href="#">“1.2.7 Front center console”, page 14</a>	
Tiptronic upshift button on steering wheel -E438-	⇒ <a href="#">“1.2.5 Steering Wheel”, page 12</a>	
Tiptronic downshift button on steering wheel -E439-	⇒ <a href="#">“1.2.5 Steering Wheel”, page 12</a>	
Right multifunction buttons on steering wheel -E441-	⇒ <a href="#">“1.2.5 Steering Wheel”, page 12</a>	
Electromechanical parking brake button -E538-	⇒ <a href="#">“1.2.7 Front center console”, page 14</a>	
Roof shade button 1 -E584-	⇒ <a href="#">“1.4.3 Roof, Sliding/Tilting Sunroof, 3FU”, page 22</a>	
Interior monitoring and vehicle inclination deactivation button -E616-	⇒ <a href="#">“1.2.1 Left front vehicle interior”, page 7</a>	
Driver side rear power window button -E711-	⇒ <a href="#">“1.5.3 Left rear door”, page 25</a>	
Passenger side rear power window button -E713-	⇒ <a href="#">“1.5.4 Right rear door”, page 26</a>	
Front passenger power window button -E716-	⇒ <a href="#">“1.5.2 Front passenger door”, page 24</a>	

Component	Chapter	Comments
Telematics button module -E734-	⇒ <a href="#">“1.4.1 Roof, Part 1”, page 20</a>	
Driving profile selection control head -E881-	⇒ <a href="#">“1.2.7 Front center console”, page 14</a>	
Rotary light switch -EX1-	⇒ <a href="#">“1.2.2 Left Front Footwell”, page 9</a>	
Selector mechanism -EX2-	⇒ <a href="#">“1.2.7 Front center console”, page 14</a>	
Interior rearview mirror -EX5-	⇒ <a href="#">“1.4.1 Roof, Part 1”, page 20</a>	
Left rear exterior door handle -EX8-	⇒ <a href="#">“1.5.3 Left rear door”, page 25</a>	
Right rear exterior door handle -EX9-	⇒ <a href="#">“1.5.4 Right rear door”, page 26</a>	
Exterior rearview mirror adjuster -EX11-	⇒ <a href="#">“1.5.1 Driver door”, page 23</a>	
Heater and A/C controls -EX21-	⇒ <a href="#">“1.2.4 Instrument panel”, page 11</a>	
Switch module in instrument panel, center -EX22-	⇒ <a href="#">“1.2.4 Instrument panel”, page 11</a>	
Center console switch module 2 -EX30-	⇒ <a href="#">“1.2.7 Front center console”, page 14</a>	
Left front seat adjustment control head -EX33-	⇒ <a href="#">“1.2.8 Left front seat”, page 15</a>	
Right front seat adjustment control head -EX34-	⇒ <a href="#">“1.2.9 Right front seat”, page 16</a>	
Power window control head in driver door -EX36-	⇒ <a href="#">“1.5.1 Driver door”, page 23</a>	
Left front seat adjustment control head 2 -EX38-	⇒ <a href="#">“1.2.8 Left front seat”, page 15</a>	
Driver vanity mirror lamp contact switch -F147-	⇒ <a href="#">“1.4.1 Roof, Part 1”, page 20</a>	
Front passenger vanity mirror lamp contact switch -F148-	⇒ <a href="#">“1.4.1 Roof, Part 1”, page 20</a>	
Right rear ABS wheel speed sensor -G44-	⇒ <a href="#">“1.3.2 Vehicle Interior Rear, View from Right”, page 18</a>	
Left rear ABS wheel speed sensor -G46-	⇒ <a href="#">“1.3.1 Vehicle Interior Rear, View from Left”, page 17</a>	
Left vent temperature sensor -G150-	⇒ <a href="#">“1.2.2 Left Front Footwell”, page 9</a>	
Right vent temperature sensor -G151-	⇒ <a href="#">“1.2.3 Right front vehicle interior”, page 10</a>	
Rear vent temperature sensor -G174-	⇒ <a href="#">“1.6.5 Center Console A/C Unit”, page 31</a>	
Driver thorax airbag crash sensor -G179-	⇒ <a href="#">“1.5.1 Driver door”, page 23</a>	
Front passenger thorax airbag crash sensor -G180-	⇒ <a href="#">“1.5.2 Front passenger door”, page 24</a>	
Footwell vent temperature sensor -G192-	⇒ <a href="#">“1.6.4 Climatronic, KH8, part 2”, page 30</a>	
Driver Side Rear Thorax Airbag Crash Sensor -G256-	⇒ <a href="#">“1.3.2 Vehicle Interior Rear, View from Right”, page 18</a>	
Passenger Side Rear Thorax Airbag Crash Sensor -G257-	⇒ <a href="#">“1.3.1 Vehicle Interior Rear, View from Left”, page 17</a>	
Evaporator temperature sensor -G308-	⇒ <a href="#">“1.6.1 A/C System, KH9, part 1”, page 27</a>	For vehicles with A/C system
Evaporator temperature sensor -G308-	⇒ <a href="#">“1.6.3 Climatronic, KH8, part 1”, page 29</a>	For vehicles with Climatronic
Rain/light recognition sensor -G397-	⇒ <a href="#">“1.4.1 Roof, Part 1”, page 20</a>	

Component	Chapter	Comments
Rear temperature control door motor position sensor -G479-	⇒ <a href="#">“1.6.5 Center Console A/C Unit”, page 31</a>	
Driver belt force limiter -G551-	⇒ <a href="#">“1.2.1 Left front vehicle interior”, page 7</a>	
Front passenger belt force limiter -G552-	⇒ <a href="#">“1.2.3 Right front vehicle interior”, page 10</a>	
Anti-theft alarm system sensor -G578-	⇒ <a href="#">“1.4.1 Roof, Part 1”, page 20</a>	
Left front exterior door handle touch sensor -G605-	⇒ <a href="#">“1.5.1 Driver door”, page 23</a>	
Right front exterior door handle touch sensor -G606-	⇒ <a href="#">“1.5.2 Front passenger door”, page 24</a>	
Rear air distribution door motor position sensor -G643-	⇒ <a href="#">“1.6.5 Center Console A/C Unit”, page 31</a>	
Fuel Delivery Unit -GX1-	⇒ <a href="#">“1.3.2 Vehicle Interior Rear, View from Right”, page 18</a>	
Accelerator Pedal Module -GX2-	⇒ <a href="#">“1.2.2 Left Front Footwell”, page 9</a>	
Signal horn activation -H-	⇒ <a href="#">“1.2.5 Steering Wheel”, page 12</a>	
Front parking aid warning buzzer -H22-	⇒ <a href="#">“1.2.2 Left Front Footwell”, page 9</a>	
Fresh air blower control module -J126-	⇒ <a href="#">“1.6.1 A/C System, KH9, part 1”, page 27</a>	For vehicles with A/C system
Fresh air blower control module -J126-	⇒ <a href="#">“1.6.3 Climatronic, KH8, part 1”, page 29</a>	For vehicles with Climatronic
Airbag control module -J234-	⇒ <a href="#">“1.2.4 Instrument panel”, page 11</a>	
Power sunroof control module -J245-	⇒ <a href="#">“1.4.3 Roof, Sliding/Tilting Sunroof, 3FU”, page 22</a>	
Driver Door Control Module -J386-	⇒ <a href="#">“1.5.1 Driver door”, page 23</a>	
Front Passenger’s Door Control Module -J387-	⇒ <a href="#">“1.5.2 Front passenger door”, page 24</a>	
Rear fresh air blower control module -J391-	⇒ <a href="#">“1.6.5 Center Console A/C Unit”, page 31</a>	
Parking aid control module -J446-	⇒ <a href="#">“1.2.2 Left Front Footwell”, page 9</a>	
Multifunction steering wheel control module -J453-	⇒ <a href="#">“1.2.5 Steering Wheel”, page 12</a>	
Vehicle electrical system control module -J519-	⇒ <a href="#">“1.2.2 Left Front Footwell”, page 9</a>	
Digital sound system control module -J525-	⇒ <a href="#">“1.2.1 Left front vehicle interior”, page 7</a>	
Steering column electronics control module -J527-	⇒ <a href="#">“1.2.5 Steering Wheel”, page 12</a>	Connection in steering wheel
Steering column electronics control module -J527-	⇒ <a href="#">“1.2.6 Steering column”, page 13</a>	Component location on the steering column
Data bus on board diagnostic interface -J533-	⇒ <a href="#">“1.2.2 Left Front Footwell”, page 9</a>	
Fuel pump control module -J538-	⇒ <a href="#">“1.3.2 Vehicle Interior Rear, View from Right”, page 18</a>	
Front information display control head -J685-	⇒ <a href="#">“1.2.4 Instrument panel”, page 11</a>	
Front passenger seat occupant detection sensor -J706-	⇒ <a href="#">“1.2.9 Right front seat”, page 16</a>	
Cornering lamp and headlamp range control module -J745-	⇒ <a href="#">“1.2.2 Left Front Footwell”, page 9</a>	
Electronic steering column lock control module -J764-	⇒ <a href="#">“1.2.6 Steering column”, page 13</a>	



Component	Chapter	Comments
Information electronics control module 1 -J794-	⇒ <a href="#">“1.2.3 Right front vehicle interior”, page 10</a>	
Driver seat adjustment control module -J810-	⇒ <a href="#">“1.2.8 Left front seat”, page 15</a>	
Peripheral camera control module -J928-	⇒ <a href="#">“1.2.3 Right front vehicle interior”, page 10</a>	
Control module for emergency call module and communication unit -J949-	⇒ <a href="#">“1.2.7 Front center console”, page 14</a>	
Access/start system interface -J965-	⇒ <a href="#">“1.2.3 Right front vehicle interior”, page 10</a>	
Central locking -SAFE- indicator lamp -K133-	⇒ <a href="#">“1.5.1 Driver door”, page 23</a>	
Left front footwell lamp -K268-	⇒ <a href="#">“1.2.2 Left Front Footwell”, page 9</a>	
Right front footwell lamp -K269-	⇒ <a href="#">“1.2.3 Right front vehicle interior”, page 10</a>	
Instrument cluster -KX2-	⇒ <a href="#">“1.2.4 Instrument panel”, page 11</a>	
Cupholder illumination bulb -L121-	⇒ <a href="#">“1.2.4 Instrument panel”, page 11</a>	
Center console illumination bulb -L150-	⇒ <a href="#">“1.2.7 Front center console”, page 14</a>	
Instrument panel contour illumination lamp 1 -L243-	⇒ <a href="#">“1.2.2 Left Front Footwell”, page 9</a>	
Instrument panel contour illumination lamp 2 -L244-	⇒ <a href="#">“1.2.2 Left Front Footwell”, page 9</a>	
Instrument panel contour illumination lamp 3 -L245-	⇒ <a href="#">“1.2.3 Right front vehicle interior”, page 10</a>	
Driver airbag igniter -N95-	⇒ <a href="#">“1.2.5 Steering Wheel”, page 12</a>	
Driver seat belt tensioner igniter 1 -N153-	⇒ <a href="#">“1.2.1 Left front vehicle interior”, page 7</a>	
Front passenger seat belt tensioner igniter 1 -N154-	⇒ <a href="#">“1.2.3 Right front vehicle interior”, page 10</a>	
Driver thorax airbag igniter -N199-	⇒ <a href="#">“1.2.8 Left front seat”, page 15</a>	
Front passenger thorax airbag igniter -N200-	⇒ <a href="#">“1.2.9 Right front seat”, page 16</a>	
Driver head curtain airbag igniter -N251-	⇒ <a href="#">“1.2.1 Left front vehicle interior”, page 7</a>	
Front passenger head curtain airbag igniter -N252-	⇒ <a href="#">“1.2.3 Right front vehicle interior”, page 10</a>	
Driver seat belt tensioner igniter 2 -N297-	⇒ <a href="#">“1.2.1 Left front vehicle interior”, page 7</a>	
Front passenger seat belt tensioner igniter 2 -N298-	⇒ <a href="#">“1.2.3 Right front vehicle interior”, page 10</a>	
Front passenger airbag unit -NX3-	⇒ <a href="#">“1.2.3 Right front vehicle interior”, page 10</a>	
Left rear treble speaker -R14-	⇒ <a href="#">“1.5.3 Left rear door”, page 25</a>	
Left rear bass speaker -R15-	⇒ <a href="#">“1.5.3 Left rear door”, page 25</a>	
Right rear treble speaker -R16-	⇒ <a href="#">“1.5.4 Right rear door”, page 26</a>	
Right rear bass speaker -R17-	⇒ <a href="#">“1.5.4 Right rear door”, page 26</a>	
Left front treble speaker -R20-	⇒ <a href="#">“1.5.1 Driver door”, page 23</a>	
Left front bass speaker -R21-	⇒ <a href="#">“1.5.1 Driver door”, page 23</a>	
Right front treble speaker -R22-	⇒ <a href="#">“1.5.2 Front passenger door”, page 24</a>	
Right front bass speaker -R23-	⇒ <a href="#">“1.5.2 Front passenger door”, page 24</a>	

Component	Chapter	Comments
Telephone microphone -R38-	⇒ <a href="#">“1.4.1 Roof, Part 1”, page 20</a>	
Access/Start System Antenna in Luggage Compartment -R137-	⇒ <a href="#">“1.3.2 Vehicle Interior Rear, View from Right”, page 18</a>	
Access/Start System Antenna 1 in Vehicle Interior -R138-	⇒ <a href="#">“1.2.4 Instrument panel”, page 11</a>	
Access/Start System Antenna 2 in Vehicle Interior -R139-	⇒ <a href="#">“1.3.3 Rear Center Console”, page 19</a>	
External audio source connection -R199-	⇒ <a href="#">“1.2.7 Front center console”, page 14</a>	
Center speaker -R208-	⇒ <a href="#">“1.2.4 Instrument panel”, page 11</a>	
Driver assistance systems front camera -R242-	⇒ <a href="#">“1.4.1 Roof, Part 1”, page 20</a>	
USB distributor -R293-	⇒ <a href="#">“1.2.4 Instrument panel”, page 11</a>	
Emergency call module speaker -R335-	⇒ <a href="#">“1.2.3 Right front vehicle interior”, page 10</a>	
Roof antenna -RX5-	⇒ <a href="#">“1.4.2 Roof, Part 2”, page 21</a>	
Converter with socket, 12 V-230 V -U13-	⇒ <a href="#">“1.3.3 Rear Center Console”, page 19</a>	
12 V socket 2 -U18-	⇒ <a href="#">“1.2.7 Front center console”, page 14</a>	
12 V socket 3 -U19-	⇒ <a href="#">“1.3.3 Rear Center Console”, page 19</a>	
Diagnostic connection -U31-	⇒ <a href="#">“1.2.2 Left Front Footwell”, page 9</a>	
USB charging socket 1 -U37-	⇒ <a href="#">“1.3.3 Rear Center Console”, page 19</a>	
USB connection 1 -U41-	⇒ <a href="#">“1.2.7 Front center console”, page 14</a>	
USB connection 2 -U42-	⇒ <a href="#">“1.3.3 Rear Center Console”, page 19</a>	
Sunroof motor -V1-	⇒ <a href="#">“1.4.3 Roof, Sliding/Tilting Sunroof, 3FU”, page 22</a>	
Fresh air blower -V2-	⇒ <a href="#">“1.6.1 A/C System, KH9, part 1”, page 27</a>	For vehicles with A/C system
Fresh air blower -V2-	⇒ <a href="#">“1.6.3 Climatronic, KH8, part 1”, page 29</a>	For vehicles with Climatronic
Driver seat forward/back adjustment motor -V28-	⇒ <a href="#">“1.2.8 Left front seat”, page 15</a>	
Front passenger seat forward/back adjustment motor -V31-	⇒ <a href="#">“1.2.9 Right front seat”, page 16</a>	
Driver backrest adjustment motor -V45-	⇒ <a href="#">“1.2.8 Left front seat”, page 15</a>	
Front passenger backrest adjustment motor -V46-	⇒ <a href="#">“1.2.9 Right front seat”, page 16</a>	
Rear fresh air blower -V80-	⇒ <a href="#">“1.6.5 Center Console A/C Unit”, page 31</a>	
Recirculation door motor -V113-	⇒ <a href="#">“1.6.1 A/C System, KH9, part 1”, page 27</a>	
Driver seat lumbar support curvature adjustment motor -V125-	⇒ <a href="#">“1.2.8 Left front seat”, page 15</a>	
Rear temperature control door motor -V137-	⇒ <a href="#">“1.6.5 Center Console A/C Unit”, page 31</a>	
Driver seat height adjustment motor -V138-	⇒ <a href="#">“1.2.8 Left front seat”, page 15</a>	
Driver window regulator motor -V147-	⇒ <a href="#">“1.5.1 Driver door”, page 23</a>	
Front passenger window regulator motor -V148-	⇒ <a href="#">“1.5.2 Front passenger door”, page 24</a>	

Component	Chapter	Comments
Driver seat angle adjustment motor -V243-	⇒ <a href="#">“1.2.8 Left front seat”, page 15</a>	
Front passenger seat angle adjustment motor -V244-	⇒ <a href="#">“1.2.9 Right front seat”, page 16</a>	
Front passenger seat height adjustment motor -V246-	⇒ <a href="#">“1.2.9 Right front seat”, page 16</a>	
Sunroof shade motor -V260-	⇒ <a href="#">“1.4.3 Roof, Sliding/Tilting Sunroof, 3FU”, page 22</a>	
Left parking brake motor -V282-	⇒ <a href="#">“1.3.1 Vehicle Interior Rear, View from Left”, page 17</a>	
Right parking brake motor -V283-	⇒ <a href="#">“1.3.2 Vehicle Interior Rear, View from Right”, page 18</a>	
Rear Air Distribution Door Motor -V427-	⇒ <a href="#">“1.6.5 Center Console A/C Unit”, page 31</a>	
Driver side rear window regulator motor -V471-	⇒ <a href="#">“1.5.3 Left rear door”, page 25</a>	
Passenger side rear window regulator motor -V472-	⇒ <a href="#">“1.5.4 Right rear door”, page 26</a>	
Left front seat backrest fan 1 -V512-	⇒ <a href="#">“1.2.8 Left front seat”, page 15</a>	
Left front seat cushion fan 1 -V514-	⇒ <a href="#">“1.2.8 Left front seat”, page 15</a>	
Right front seat backrest fan 1 -V516-	⇒ <a href="#">“1.2.9 Right front seat”, page 16</a>	
Right front seat cushion fan 1 -V518-	⇒ <a href="#">“1.2.9 Right front seat”, page 16</a>	
Driver Exterior Rearview Mirror -VX4-	⇒ <a href="#">“1.5.1 Driver door”, page 23</a>	
Front Passenger Exterior Rearview Mirror -VX5-	⇒ <a href="#">“1.5.2 Front passenger door”, page 24</a>	
Driver door lock unit -VX21-	⇒ <a href="#">“1.5.1 Driver door”, page 23</a>	
Front passenger door lock unit -VX22-	⇒ <a href="#">“1.5.2 Front passenger door”, page 24</a>	
Left rear door lock unit -VX23-	⇒ <a href="#">“1.5.3 Left rear door”, page 25</a>	
Right rear door lock unit -VX24-	⇒ <a href="#">“1.5.4 Right rear door”, page 26</a>	
Air distribution door -VX33-	⇒ <a href="#">“1.6.2 A/C System, KH9, part 2”, page 28</a>	For vehicles with A/C system
Air distribution door -VX33-	⇒ <a href="#">“1.6.4 Climatronic, KH8, part 2”, page 30</a>	For vehicles with Climatronic
Left front control temperature door -VX34-	⇒ <a href="#">“1.6.2 A/C System, KH9, part 2”, page 28</a>	For vehicles with A/C system
Left front control temperature door -VX34-	⇒ <a href="#">“1.6.4 Climatronic, KH8, part 2”, page 30</a>	For vehicles with Climatronic
Right front temperature control door -VX35-	⇒ <a href="#">“1.6.3 Climatronic, KH8, part 1”, page 29</a>	
Defroster door -VX47-	⇒ <a href="#">“1.6.3 Climatronic, KH8, part 1”, page 29</a>	
Air recirculation door -VX52-	⇒ <a href="#">“1.6.3 Climatronic, KH8, part 1”, page 29</a>	
Glove compartment lamp -W6-	⇒ <a href="#">“1.2.3 Right front vehicle interior”, page 10</a>	
Front passenger vanity mirror lamp -W14-	⇒ <a href="#">“1.4.1 Roof, Part 1”, page 20</a>	
Driver vanity mirror lamp -W20-	⇒ <a href="#">“1.4.1 Roof, Part 1”, page 20</a>	
Driver door warning lamp -W30-	⇒ <a href="#">“1.5.1 Driver door”, page 23</a>	
Front passenger door warning lamp -W36-	⇒ <a href="#">“1.5.2 Front passenger door”, page 24</a>	
Left rear interior lamp -W47-	⇒ <a href="#">“1.4.3 Roof, Sliding/Tilting Sunroof, 3FU”, page 22</a>	

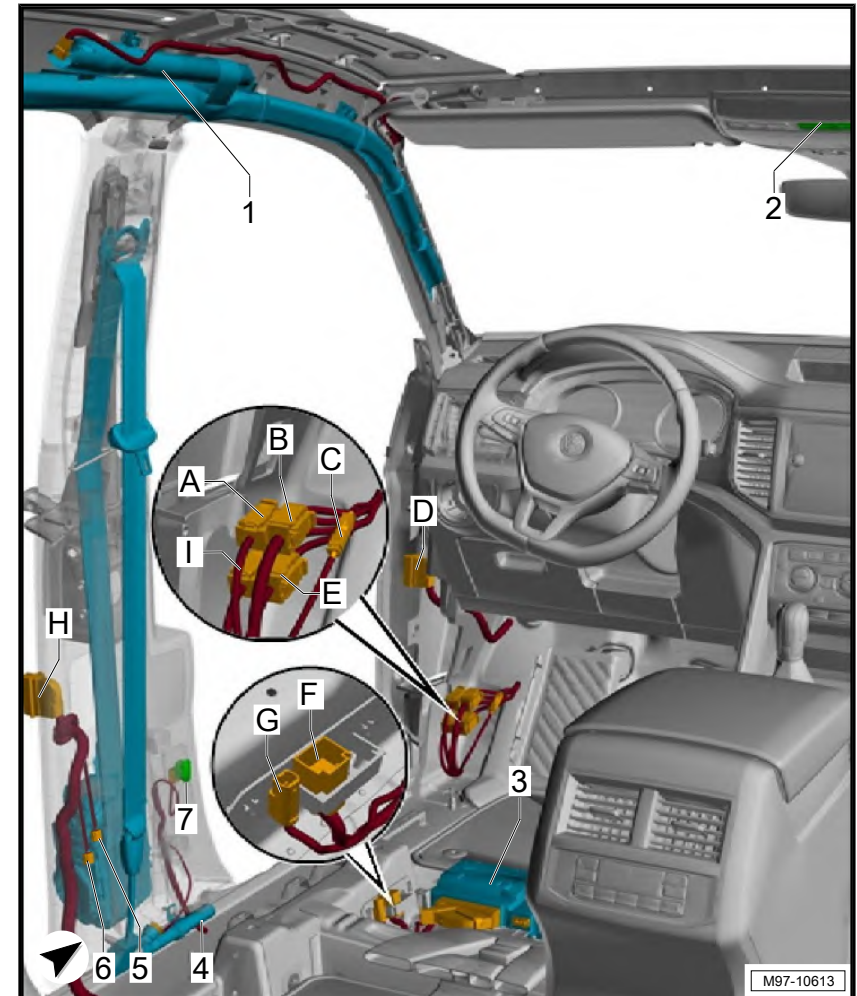
Component	Chapter	Comments
Right rear interior lamp -W48-	⇒ <a href="#">“1.4.3 Roof, Sliding/Tilting Sunroof, 3FU”, page 22</a>	
Interior lamp -W64-	⇒ <a href="#">“1.4.2 Roof, Part 2”, page 21</a>	
Driver Side Door Ambient Lighting Lamp -W86-	⇒ <a href="#">“1.5.1 Driver door”, page 23</a>	
Passenger Side Door Ambient Lighting Lamp -W87-	⇒ <a href="#">“1.5.2 Front passenger door”, page 24</a>	
Front interior lamp -WX1-	⇒ <a href="#">“1.4.1 Roof, Part 1”, page 20</a>	
Rear interior lamp -WX2-	⇒ <a href="#">“1.4.2 Roof, Part 2”, page 21</a>	For vehicles without a sliding/tilting sunroof
Rear interior lamp -WX2-	⇒ <a href="#">“1.4.3 Roof, Sliding/Tilting Sunroof, 3FU”, page 22</a>	For vehicles with a sliding/tilting sunroof
Heated steering wheel -Z36-	⇒ <a href="#">“1.2.5 Steering Wheel”, page 12</a>	
Window defogger for front sensor system -Z113-	⇒ <a href="#">“1.4.1 Roof, Part 1”, page 20</a>	

## 1.2 Front of vehicle interior

- ◆ ⇒ [“1.2.1 Left front vehicle interior”, page 7](#)
- ◆ ⇒ [“1.2.2 Left Front Footwell”, page 9](#)
- ◆ ⇒ [“1.2.3 Right front vehicle interior”, page 10](#)
- ◆ ⇒ [“1.2.4 Instrument panel”, page 11](#)
- ◆ ⇒ [“1.2.5 Steering Wheel”, page 12](#)
- ◆ ⇒ [“1.2.6 Steering column”, page 13](#)
- ◆ ⇒ [“1.2.7 Front center console”, page 14](#)
- ◆ ⇒ [“1.2.8 Left front seat”, page 15](#)
- ◆ ⇒ [“1.2.9 Right front seat”, page 16](#)

### 1.2.1 Left front vehicle interior

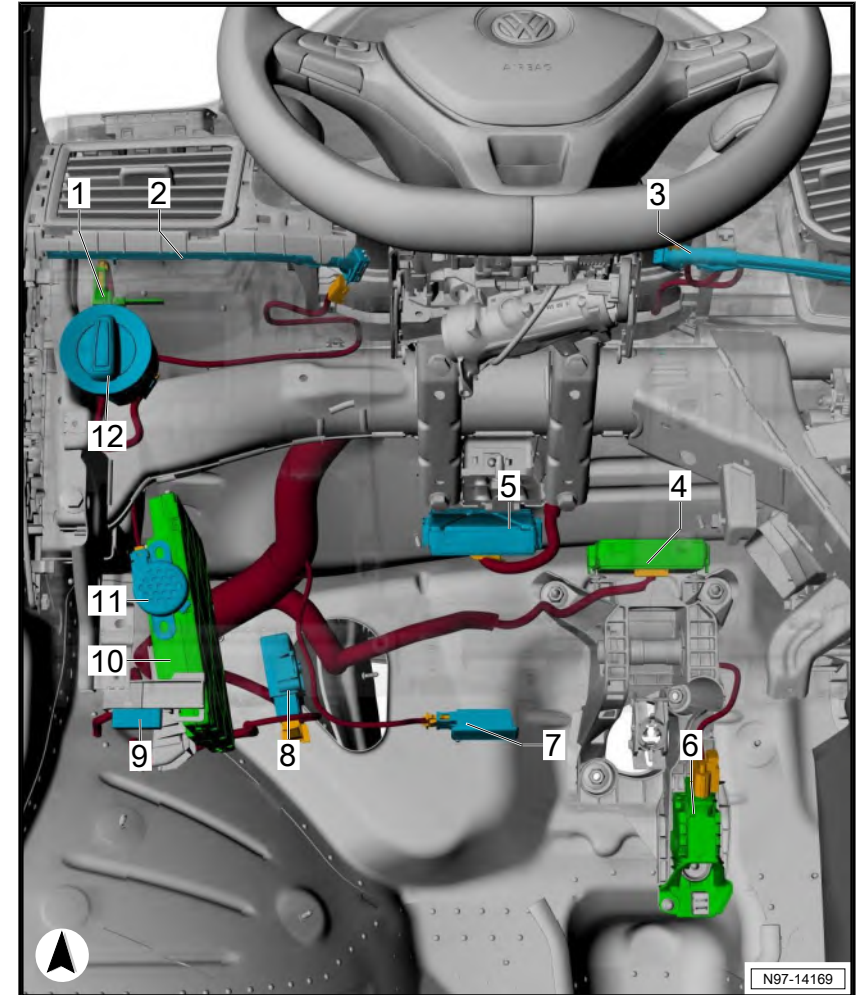
- A - 17-Pin Connector -T17a- , black / 17-Pin Connector -T17j- , black
- B - 17-Pin Connector -T17b- , brown / 17-Pin Connector -T17k- , brown
- C - 5-Pin Connector -T5ac- , black / 5-Pin Connector -T5p- , black
- D - 27-Pin Connector -T27e- , black
  - For vehicles without peripheral camera
- D - 29-Pin Connector -T29c- , white
  - For vehicles with peripheral camera
- E - 17-Pin Connector -T17d- , blue / 17-Pin Connector -T17m- , blue
- F - 17-Pin Connector -T17h- , red / 17-Pin Connector -T17q- , red
- G - 3-Pin Connector -T3ad- , yellow / 3-Pin Connector -T3ax- , yellow
- H - 27-Pin Connector -T27g- , black
- I - 17-Pin Connector -T17c- , red / 17-Pin Connector -T17l- , red
- 1 - Driver head curtain airbag igniter -N251-
- 2 - Garage door opener control head -E284-
- 3 - Digital sound system control module -J525-
- 4 - Driver seat belt tensioner igniter 2 -N297-
- 5 - Driver belt force limiter -G551-
- 6 - Driver seat belt tensioner igniter 1 -N153-
- 7 - Interior monitoring and vehicle inclination deactivation button -E616-



Return to overview => [page 1](#)

### 1.2.2 Left Front Footwell

- 1 - Left vent temperature sensor -G150-
- 2 - Instrument panel contour illumination lamp 1 -L243-
- 3 - Instrument panel contour illumination lamp 2 -L244-
- 4 - Cornering lamp and headlamp range control module -J745-
- 5 - Data bus on board diagnostic interface -J533-
- 6 - Accelerator Pedal Module -GX2-
- 7 - Left front footwell lamp -K268-
- 8 - Parking aid control module -J446-
- 9 - Diagnostic connection -U31-
- 10 - Vehicle electrical system control module -J519-
- 11 - Front parking aid warning buzzer -H22-
- 12 - Rotary light switch -EX1-



Return to overview ⇒ [page 1](#)

### 1.2.3 Right front vehicle interior

**A** - 2-Pin Connector -T2by-, black / 2-Pin Connector -T2bz-, black

**B** - 27-Pin Connector -T27f-, black

□ For vehicles without peripheral camera

**B** - 29-Pin Connector -T29d-, white

□ For vehicles with peripheral camera

**C** - 17-Pin Connector -T17f-, black / 17-Pin Connector -T17o-, black

**D** - 17-Pin Connector -T17i-, red / 17-Pin Connector -T17r-, red

**E** - 3-Pin Connector -T3af-, yellow / 3-Pin Connector -T3da-, yellow

**F** - 27-Pin Connector -T27h-, black

**G** - 17-Pin Connector -T17g-, brown / 17-Pin Connector -T17p-, brown

**1** - Front passenger airbag unit -NX3-

**2** - Instrument panel contour illumination lamp 3 -L245-

**3** - Right vent temperature sensor -G151-

**4** - Front passenger head curtain airbag igniter -N252-

**5** - Information electronics control module 1 -J794-

**6** - Glove compartment lamp -W6-

**7** - Glove compartment lamp switch -E26-

**8** - Front passenger seat belt tensioner igniter 1 -N154-

**9** - Front passenger belt force limiter -G552-

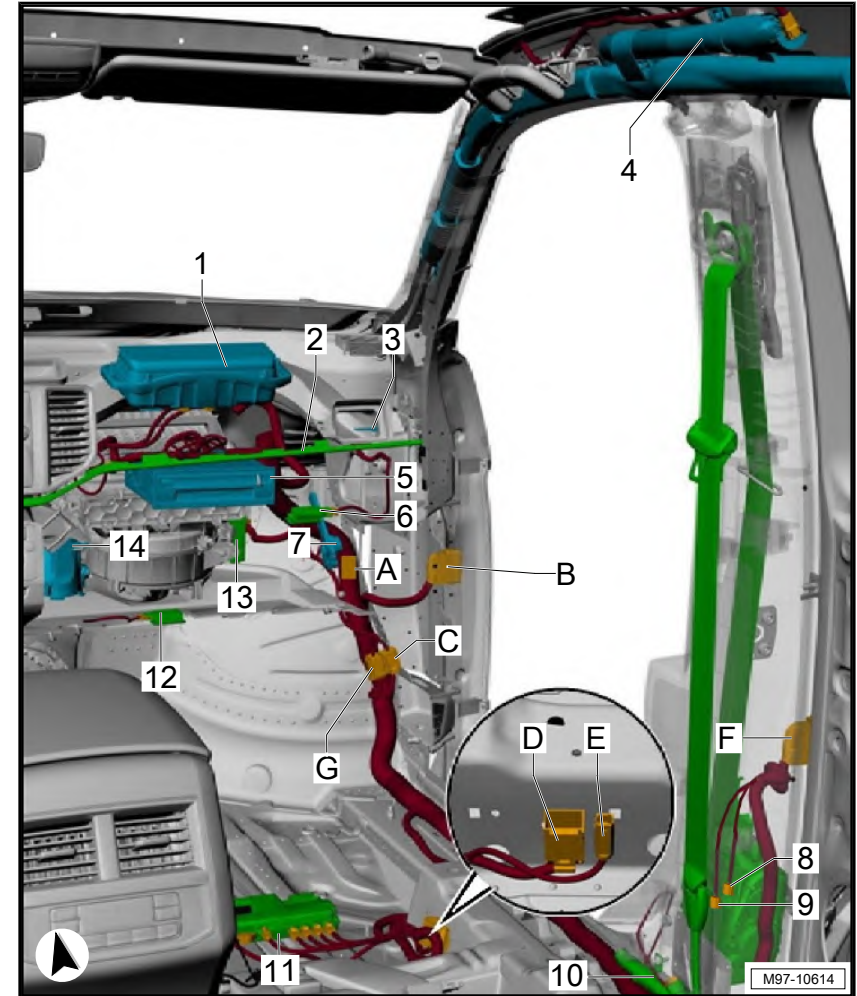
**10** - Front passenger seat belt tensioner igniter 2 -N298-

**11** - Peripheral camera control module -J928-

**12** - Right front footwell lamp -K269-

**13** - Access/start system interface -J965-

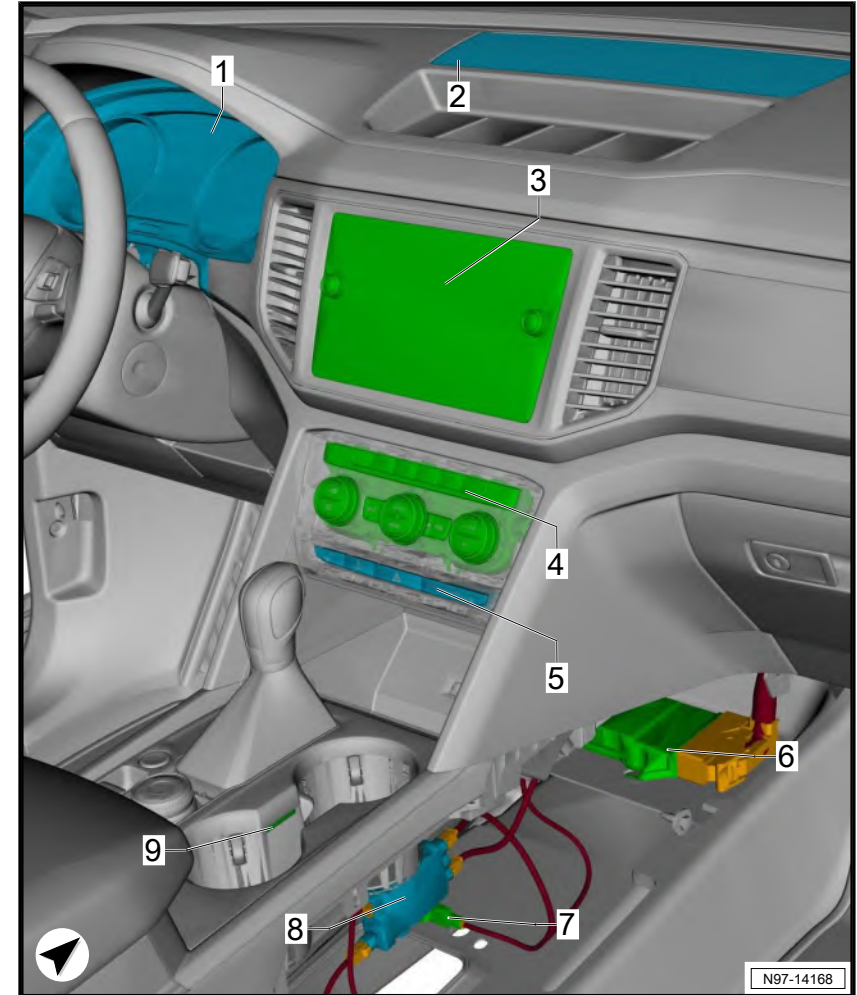
**14** - Emergency call module speaker -R335-



Return to overview ⇒ [page 1](#)

### 1.2.4 Instrument panel

- 1 - Instrument cluster -KX2-
- 2 - Center speaker -R208-
- 3 - Front information display control head -J685-
- 4 - Heater and A/C controls -EX21-
- 5 - Switch module in instrument panel, center -EX22-
- 6 - Airbag control module -J234-
- 7 - Access/Start System Antenna 1 in Vehicle Interior -R138-
- 8 - USB distributor -R293-
- 9 - Cupholder illumination bulb -L121-





Return to overview ⇒ [page 1](#)

### 1.2.5 Steering Wheel

**1 - Steering column electronics control module -J527-**

- ❑ Connection in steering wheel
- ❑ Component location in the steering column ⇒ [Item 2 \(page 13\)](#)

**2 - Driver airbag igniter -N95-**

**3 - Tiptronic upshift button on steering wheel -E438-**

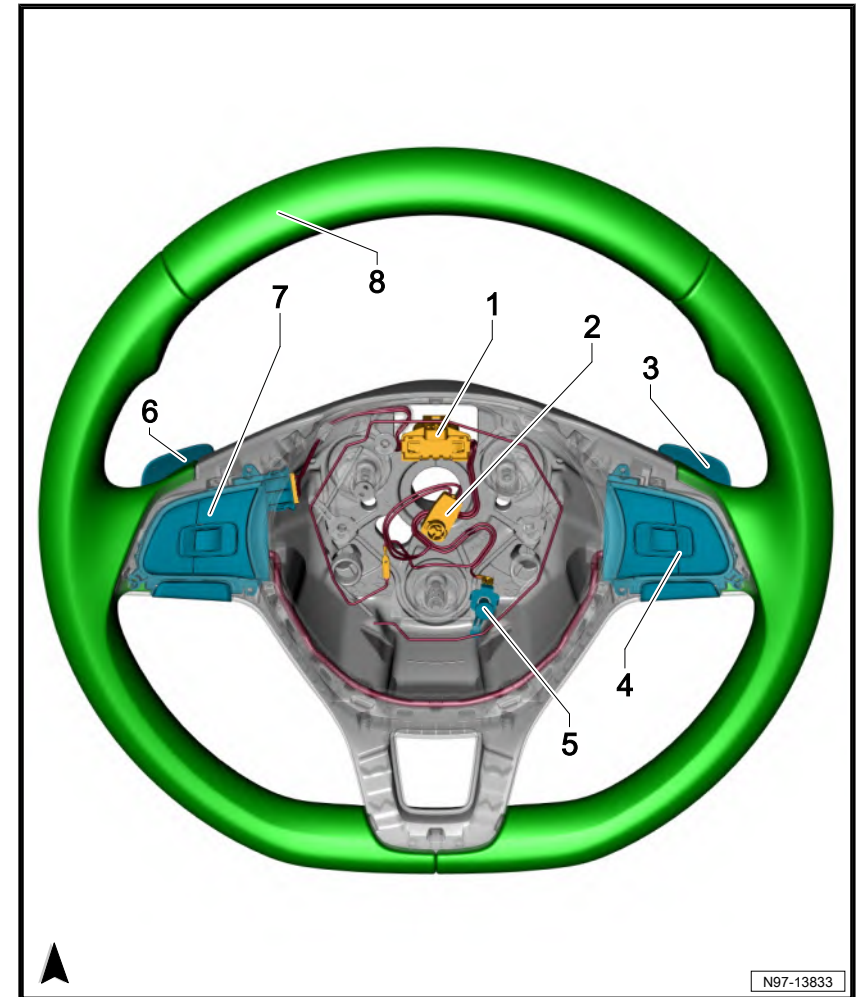
**4 - Right multifunction buttons on steering wheel -E441-**

**5 - Signal horn activation -H-**

**6 - Tiptronic downshift button on steering wheel -E439-**

**7 - Multifunction steering wheel control module -J453-**

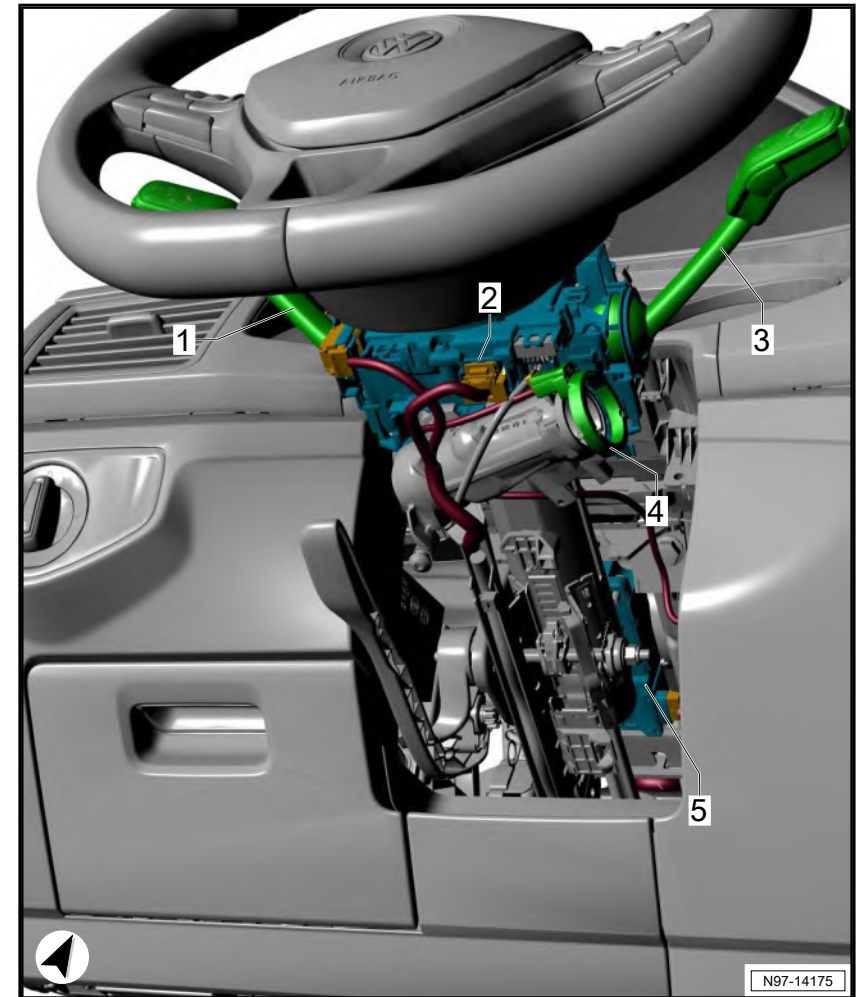
**8 - Heated steering wheel -Z36-**



Return to overview ⇒ [page 1](#)

## 1.2.6 Steering column

- 1 - Turn signal switch -E2-
- 2 - Steering column electronics control module -J527-
  - ❑ Component location on the steering column
  - ❑ Component location steering wheel connection ⇒ [Item 1 \(page 12\)](#)
- 3 - Windshield wiper intermittent mode switch -E22-
- 4 - Anti-theft immobilizer reader coil -D2-
- 5 - Electronic steering column lock control module -J764-



Return to overview => [page 1](#)

### 1.2.7 Front center console

A - 10-Pin Connector -T10o- , black / 10-Pin Connector -T10x- , black

1 - Control module for emergency call module and communication unit -J949-

2 - Center console illumination bulb -L150-

3 - External audio source connection -R199-

4 - 12 V socket 2 -U18-

5 - USB connection 1 -U41-

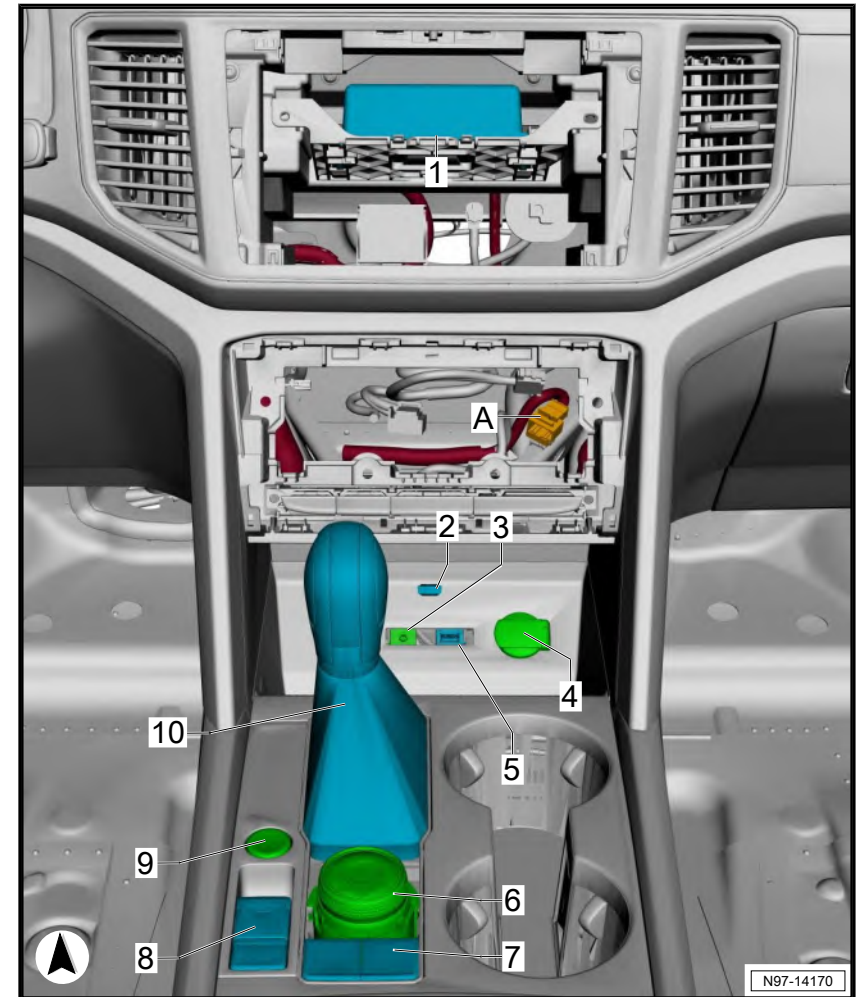
6 - Driving profile selection control head -E881-

7 - Center console switch module 2 -EX30-

8 - Electromechanical parking brake button -E538-

9 - Start system button -E378-

10 - Selector mechanism -EX2-



Return to overview ⇒ [page 1](#)

### 1.2.8 Left front seat

A - 8-Pin Connector -T8as- , black / 8-Pin Connector -T8au- , black

B - 4-Pin Connector -T4ck- , black / 4-Pin Connector -T4cu- , black

1 - Driver backrest adjustment motor -V45-

2 - Left front seat backrest fan 1 -V512-

3 - Driver seat lumbar support curvature adjustment motor -V125-

4 - Driver thorax airbag igniter -N199-

5 - Driver seat height adjustment motor -V138-

6 - Left front seat adjustment control head -EX33-

7 - Left front seat adjustment control head 2 -EX38-

8 - Driver seat lumbar support adjustment switch -E176-

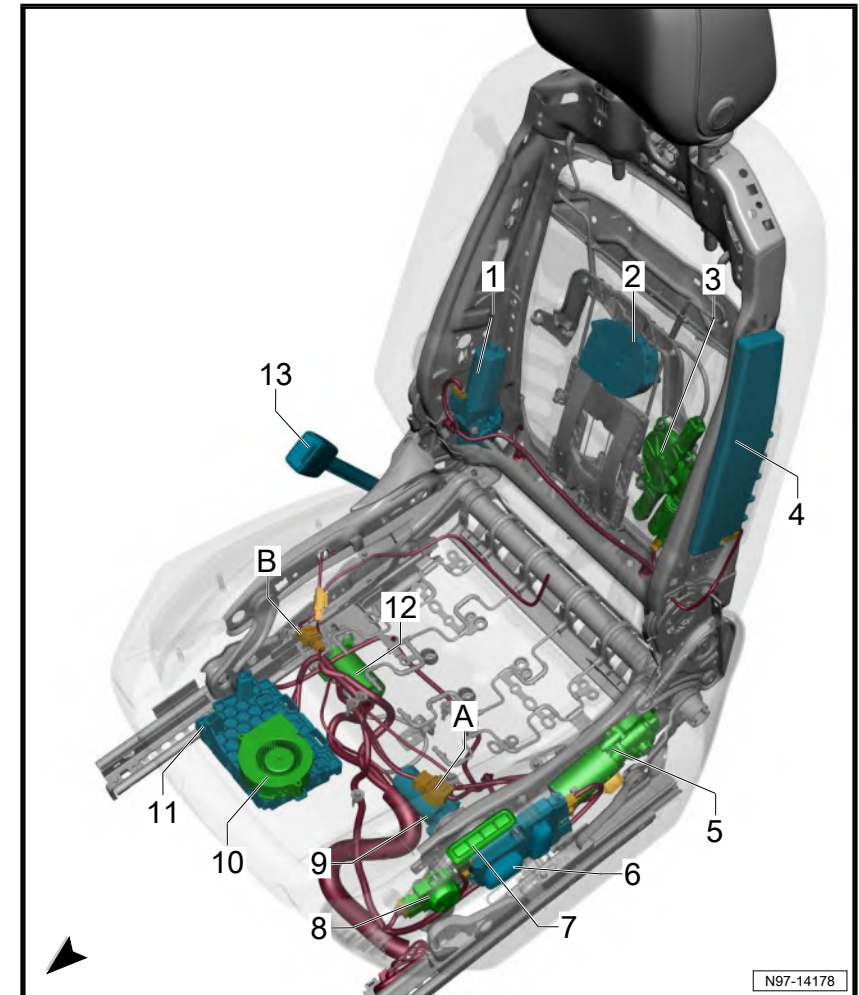
9 - Driver seat angle adjustment motor -V243-

10 - Left front seat cushion fan 1 -V514-

11 - Driver seat adjustment control module -J810-

12 - Driver seat forward/back adjustment motor -V28-

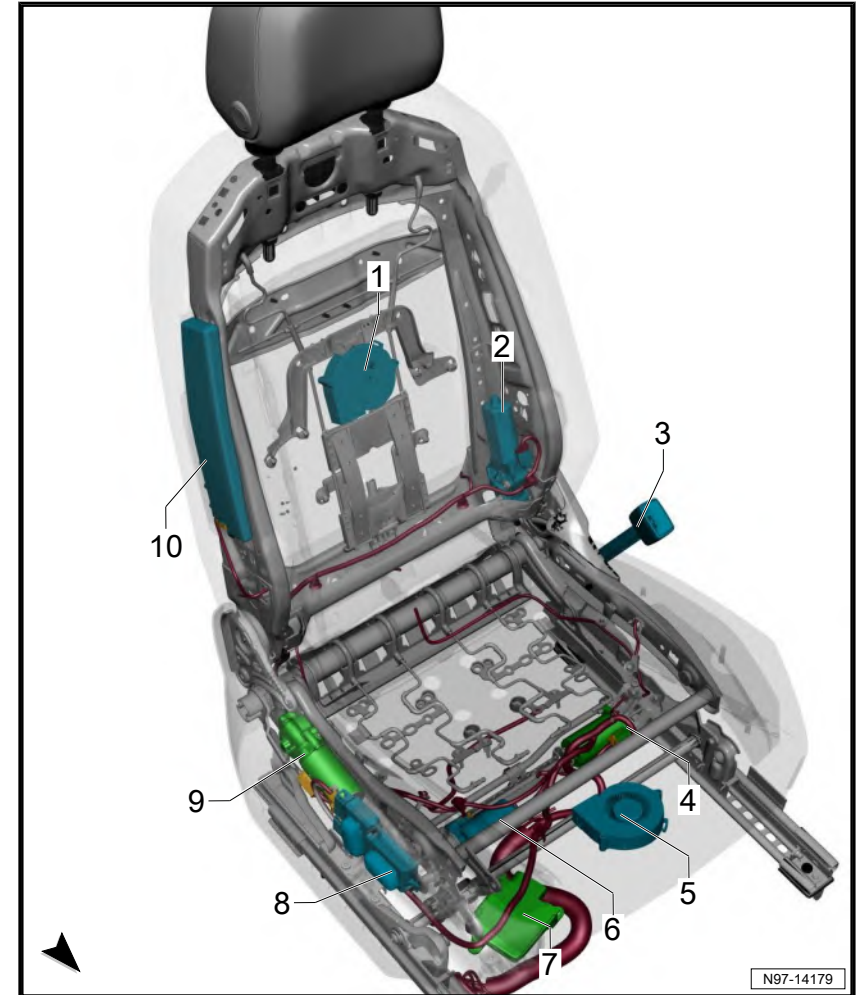
13 - Driver seat belt switch -E24-



[Return to overview ⇒ page 1](#)

### 1.2.9 Right front seat

- 1 - Right front seat backrest fan 1 -V516-
- 2 - Front passenger backrest adjustment motor -V46-
- 3 - Front passenger seat belt switch -E25-
- 4 - Front passenger seat forward/back adjustment motor -V31-
- 5 - Right front seat cushion fan 1 -V518-
- 6 - Front passenger seat angle adjustment motor -V244-
- 7 - Passenger occupant detection system control module -J706-
- 8 - Right front seat adjustment control head -EX34-
- 9 - Front passenger seat height adjustment motor -V246-
- 10 - Front passenger thorax airbag igniter -N200-



[Return to overview ⇒ page 1](#)

### 1.3 Rear Vehicle Interior

- ◆ [⇒ "1.3.1 Vehicle Interior Rear, View from Left", page 17](#)

◆ ⇒ [“1.3.2 Vehicle Interior Rear, View from Right”, page 18](#)

◆ ⇒ [“1.3.3 Rear Center Console”, page 19](#)

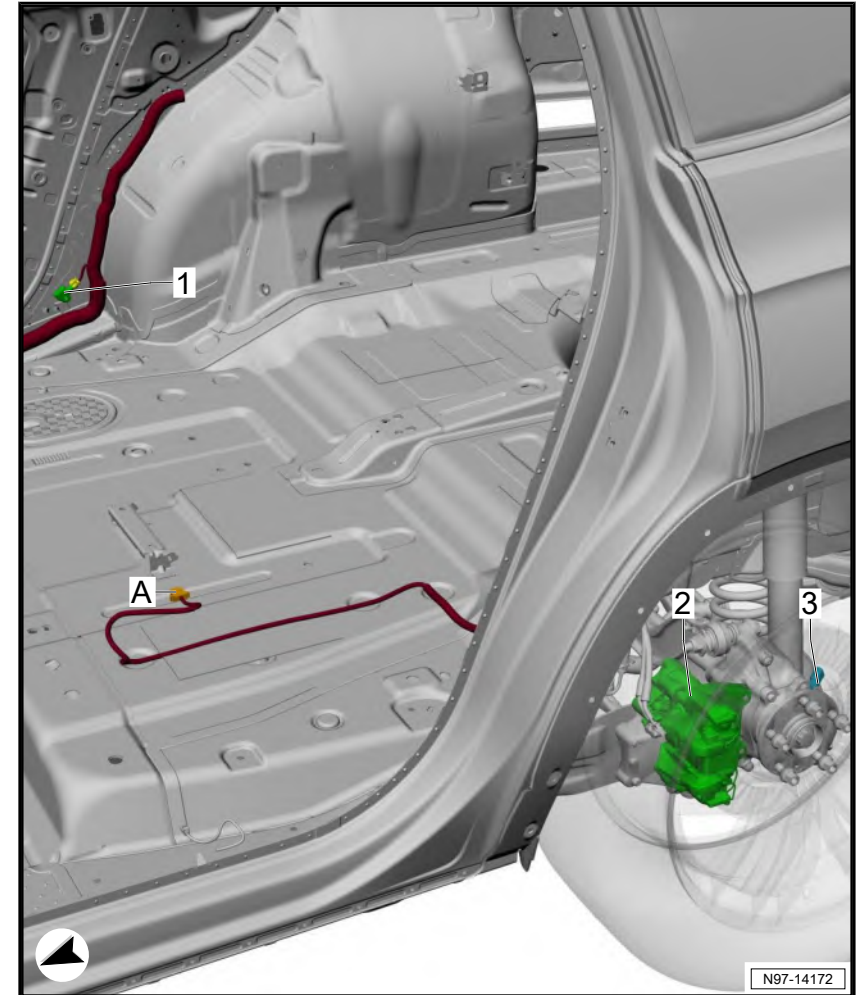
### 1.3.1 Vehicle Interior Rear, View from Left

A - 4-Pin Connector -T4cq- , black / 4-Pin Connector -T4cr- , black

1 - Passenger Side Rear Thorax Airbag Crash Sensor -G257-

2 - Left parking brake motor -V282-

3 - Left rear ABS wheel speed sensor -G46-



Return to overview ⇒ [page 1](#)

### 1.3.2 Vehicle Interior Rear, View from Right

A - 4-Pin Connector -T4cs- , black / 4-Pin Connector -T4ct- , black

1 - Access/Start System Antenna in Luggage Compartment -R137-

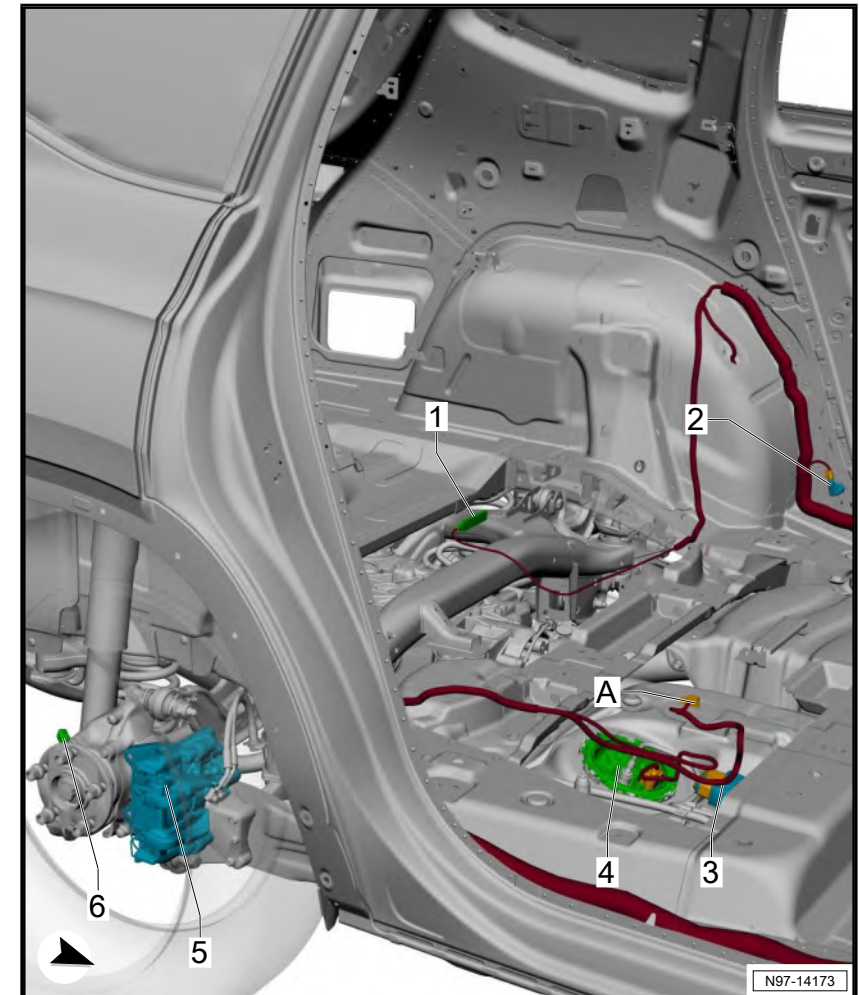
2 - Driver Side Rear Thorax Airbag Crash Sensor -G256-

3 - Fuel pump control module -J538-

4 - Fuel Delivery Unit -GX1-

5 - Right parking brake motor -V283-

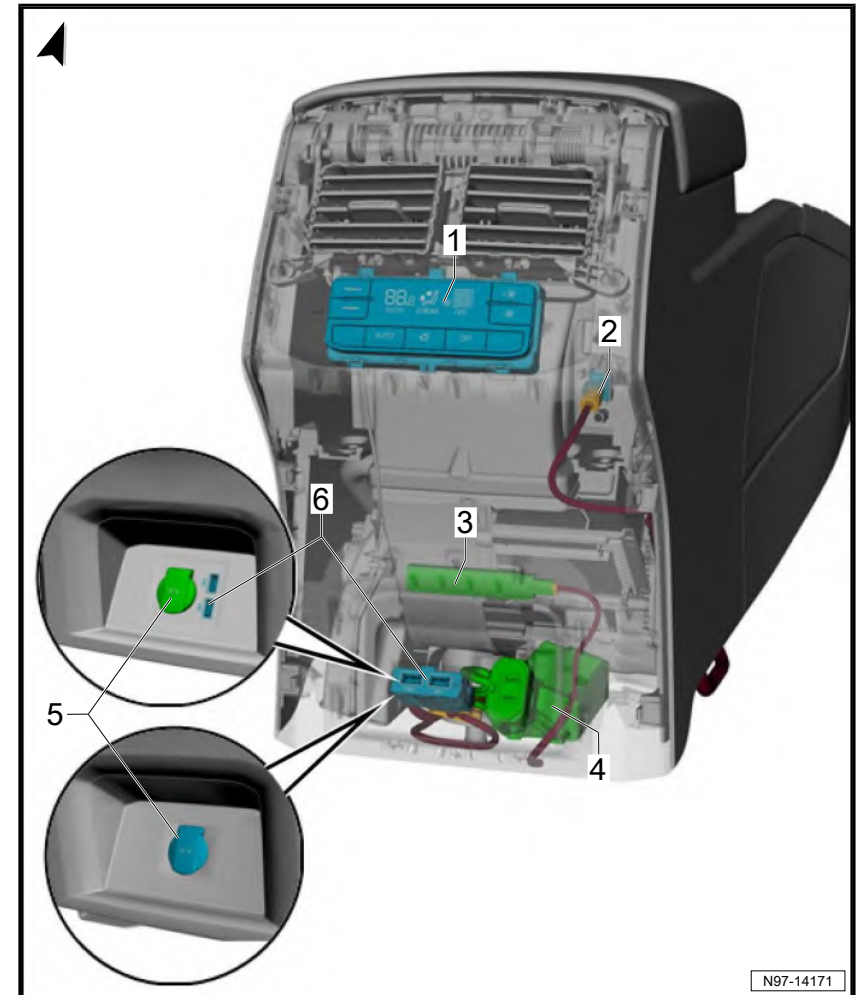
6 - Right rear ABS wheel speed sensor -G44-



Return to overview ⇒ [page 1](#)

### 1.3.3 Rear Center Console

- 1 - Rear A/C display control head -E265-
- 2 - USB connection 2 -U42-
- 3 - Access/Start System Antenna 2 in Vehicle Interior -R139-
- 4 - Converter with socket, 12 V-230 V -U13-
- 5 - 12 V socket 3 -U19-
- 6 - USB charging socket 1 -U37-



Return to overview ⇒ [page 1](#)

### 1.4 Roof

- ◆ ⇒ [“1.4.1 Roof, Part 1”, page 20](#)



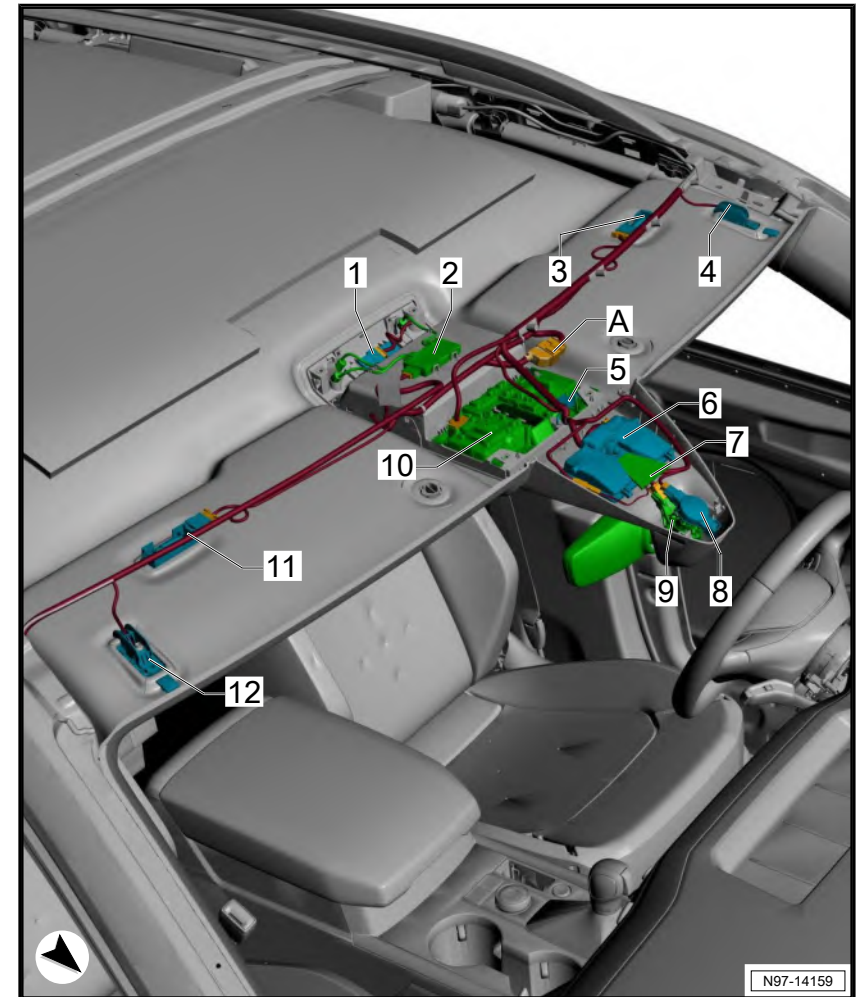
◆ ⇒ [“1.4.2 Roof, Part 2”, page 21](#)

◆ ⇒ [“1.4.3 Roof, Sliding/Tilting Sunroof, 3FU”, page 22](#)

### 1.4.1 Roof, Part 1

A - 16-Pin Connector -T16a- , brown / 16-Pin Connector -T16d- , brown

- 1 - Telematics button module -E734-
- 2 - Anti-theft alarm system sensor -G578-
- 3 - Driver vanity mirror lamp -W20-
- 4 - Driver vanity mirror lamp contact switch -F147-
- 5 - Telephone microphone -R38-
- 6 - Driver assistance systems front camera -R242-
- 7 - Window defogger for front sensor system -Z113-
- 8 - Rain/light recognition sensor -G397-
- 9 - Interior rearview mirror -EX5-
- 10 - Front interior lamp -WX1-
- 11 - Front passenger vanity mirror lamp -W14-
- 12 - Front passenger vanity mirror lamp contact switch -F148-



Return to overview ⇒ [page 1](#)

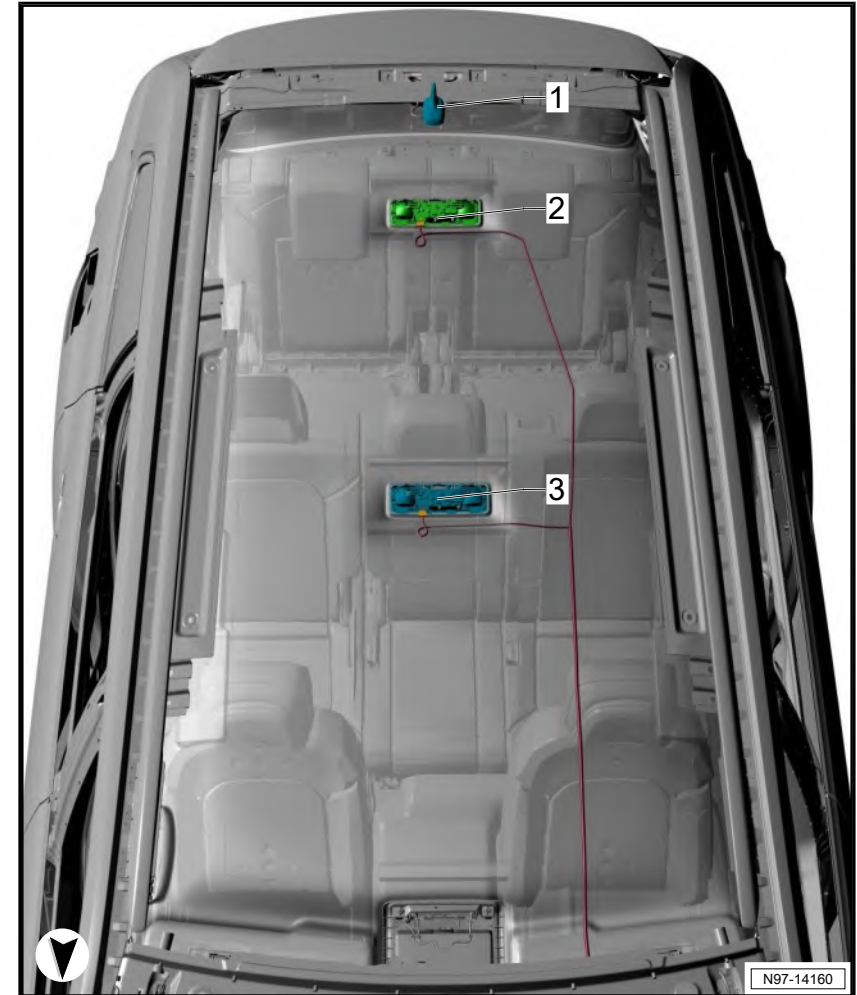
### 1.4.2 Roof, Part 2

1 - Roof antenna -RX5-

2 - Rear interior lamp -WX2-

- For vehicles without a sliding/tilting sunroof
- Component location for vehicles with sliding/tilting sunroof ⇒ [Item 1 \(page 22\)](#)

3 - Interior lamp -W64-



Return to overview ⇒ [page 1](#)

### 1.4.3 Roof, Sliding/Tilting Sunroof, 3FU

A - 6-Pin Connector -T6as- , black / 6-Pin Connector -T6k- , black

1 - Rear interior lamp -WX2-

- ❑ For vehicles with a sliding/tilting sunroof
- ❑ Component location for vehicles without a sliding/tilting sunroof ⇒ [Item 2 \(page 21\)](#)

2 - Power sunroof control module -J245-

3 - Sunroof shade motor -V260-

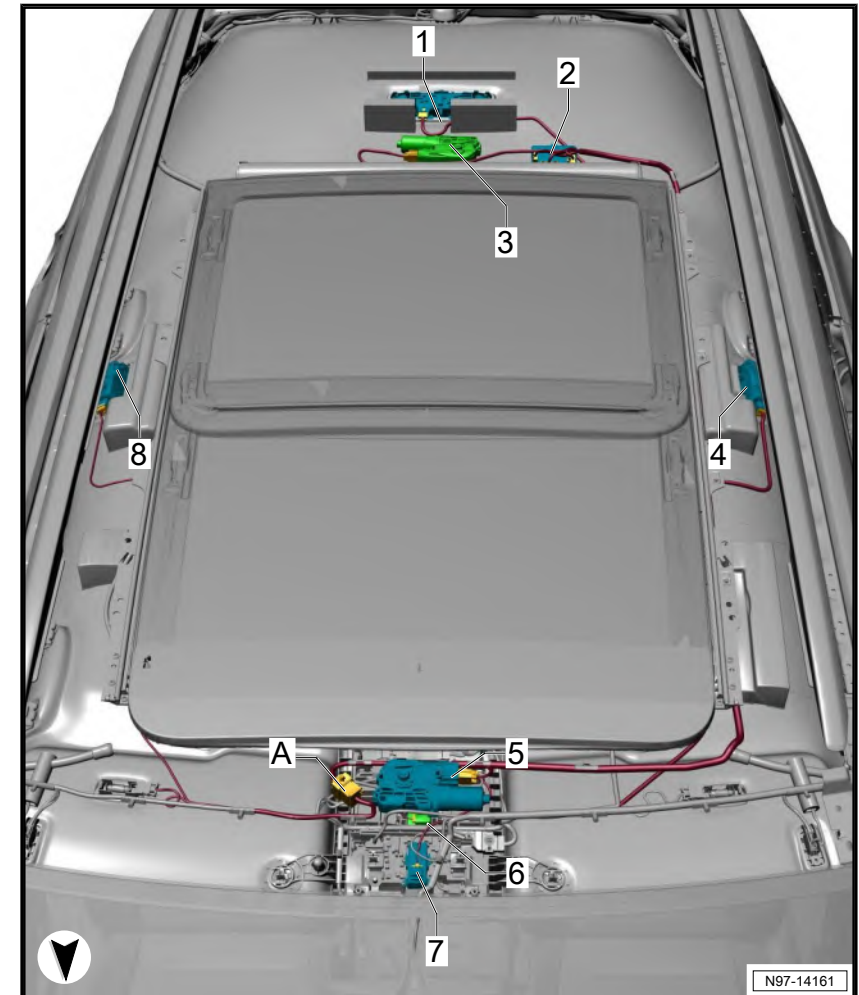
4 - Left rear interior lamp -W47-

5 - Sunroof motor -V1-

6 - Roof shade button 1 -E584-

7 - Sunroof button -E325-

8 - Right rear interior lamp -W48-



Return to overview ⇒ [page 1](#)

### 1.5 Doors

◆ ⇒ [“1.5.1 Driver door”, page 23](#)

- ◆ ⇒ [“1.5.2 Front passenger door”, page 24](#)
- ◆ ⇒ [“1.5.3 Left rear door”, page 25](#)
- ◆ ⇒ [“1.5.4 Right rear door”, page 26](#)

### 1.5.1 Driver door

**A** - 4-Pin Connector -T4i- , black / 4-Pin Connector -T4z- , black

**B** - 27-Pin Connector -T27a- , black

- For vehicles without peripheral camera

**B** - 29-Pin Connector -T29a- , white

- For vehicles with peripheral camera

**1** - Driver Side Door Ambient Lighting Lamp -W86-

**2** - Driver interior locking button -E308-

**3** - Central locking -SAFE- indicator lamp -K133-

**4** - Driver Exterior Rearview Mirror -VX4-

**5** - Left front treble speaker -R20-

**6** - Exterior rearview mirror adjuster -EX11-

**7** - Driver Door Control Module -J386-

**8** - Left front bass speaker -R21-

**9** - Rear lid remote release button -E233-

**10** - Driver thorax airbag crash sensor -G179-

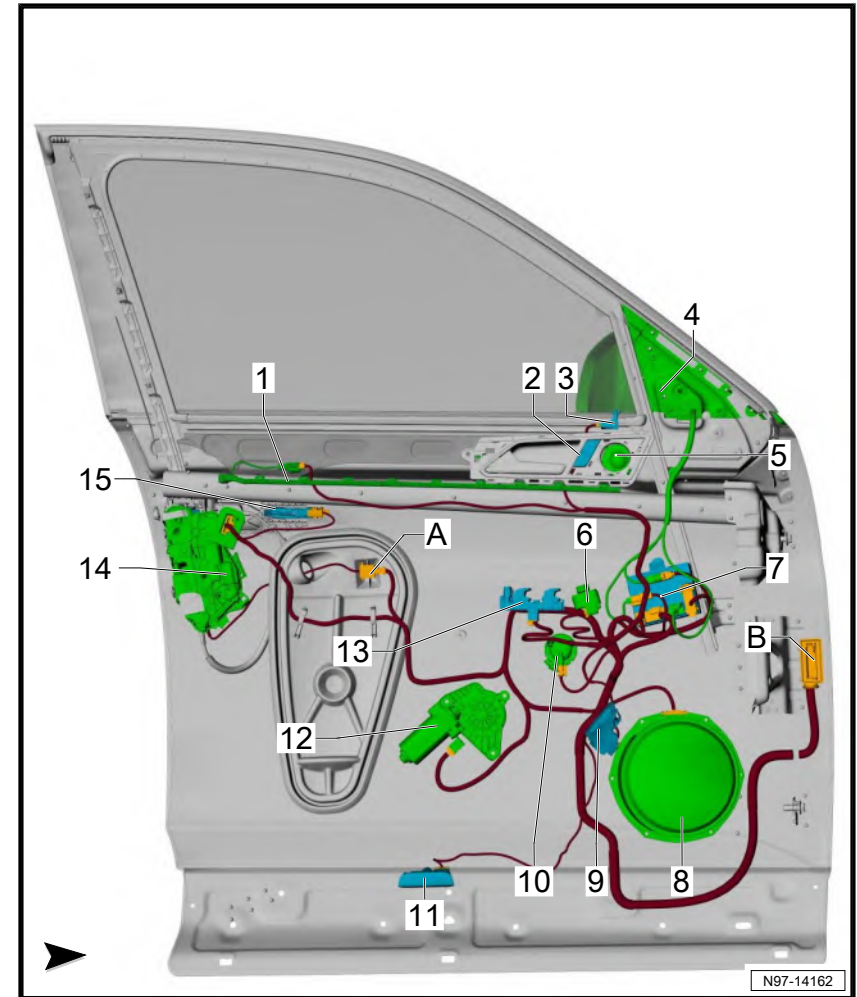
**11** - Driver door warning lamp -W30-

**12** - Driver window regulator motor -V147-

**13** - Power window control head in driver door -EX36-

**14** - Driver door lock unit -VX21-

**15** - Left front exterior door handle touch sensor -G605-



Return to overview ⇒ [page 1](#)

## 1.5.2 Front passenger door

A - 4-Pin Connector -T4I- , black / 4-Pin Connector -T4x- , black

B - 27-Pin Connector -T27b- , black

□ For vehicles without peripheral camera

B - 29-Pin Connector -T29b- , white

□ For vehicles with peripheral camera

1 - Front Passenger Exterior Rearview Mirror -VX5-

2 - Front passenger interior locking button -E309-

3 - Front passenger power window button -E716-

4 - Passenger Side Door Ambient Lighting Lamp -W87-

5 - Right front exterior door handle touch sensor -G606-

6 - Front passenger door lock unit -VX22-

7 - Front passenger window regulator motor -V148-

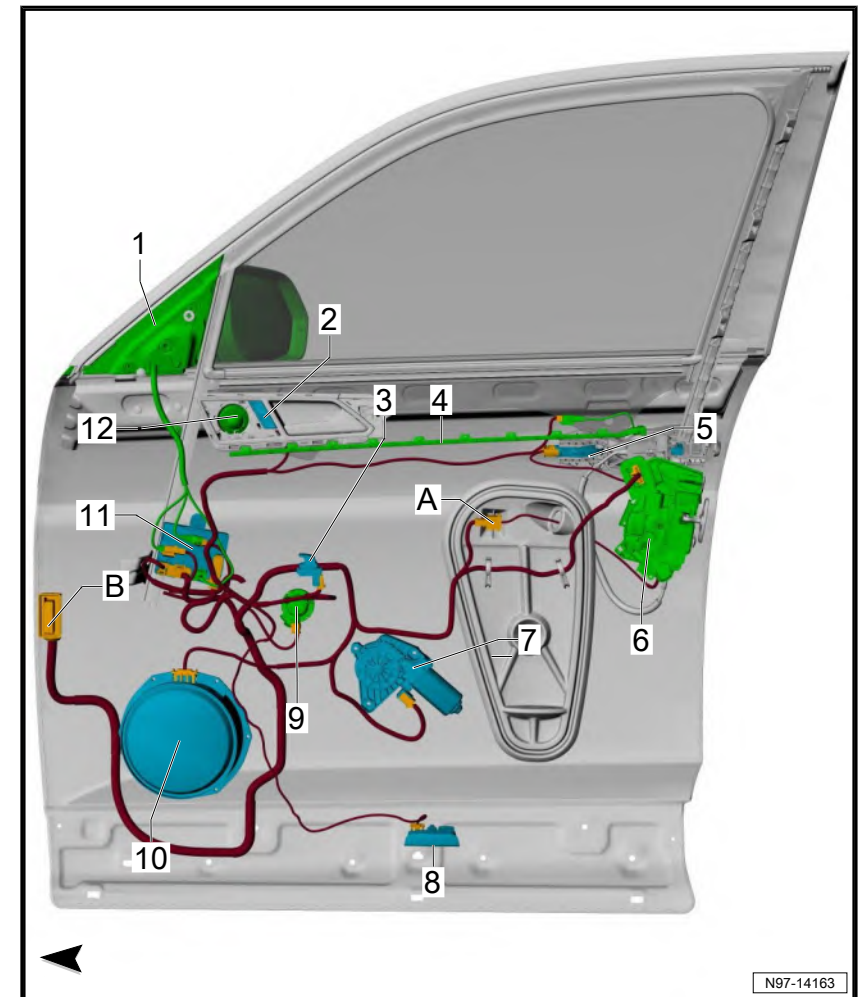
8 - Front passenger door warning lamp -W36-

9 - Front passenger thorax airbag crash sensor -G180-

10 - Right front bass speaker -R23-

11 - Front Passenger's Door Control Module -J387-

12 - Right front treble speaker -R22-



Return to overview ⇒ [page 1](#)

### 1.5.3 Left rear door

A - 4-Pin Connector -T4o- , black / 4-Pin Connector -T4t- , black

B - 27-Pin Connector -T27c- , black

C - 8-Pin Connector -T8m- , black / 8-Pin Connector -T8s- , black

1 - Left rear exterior door handle -EX8-

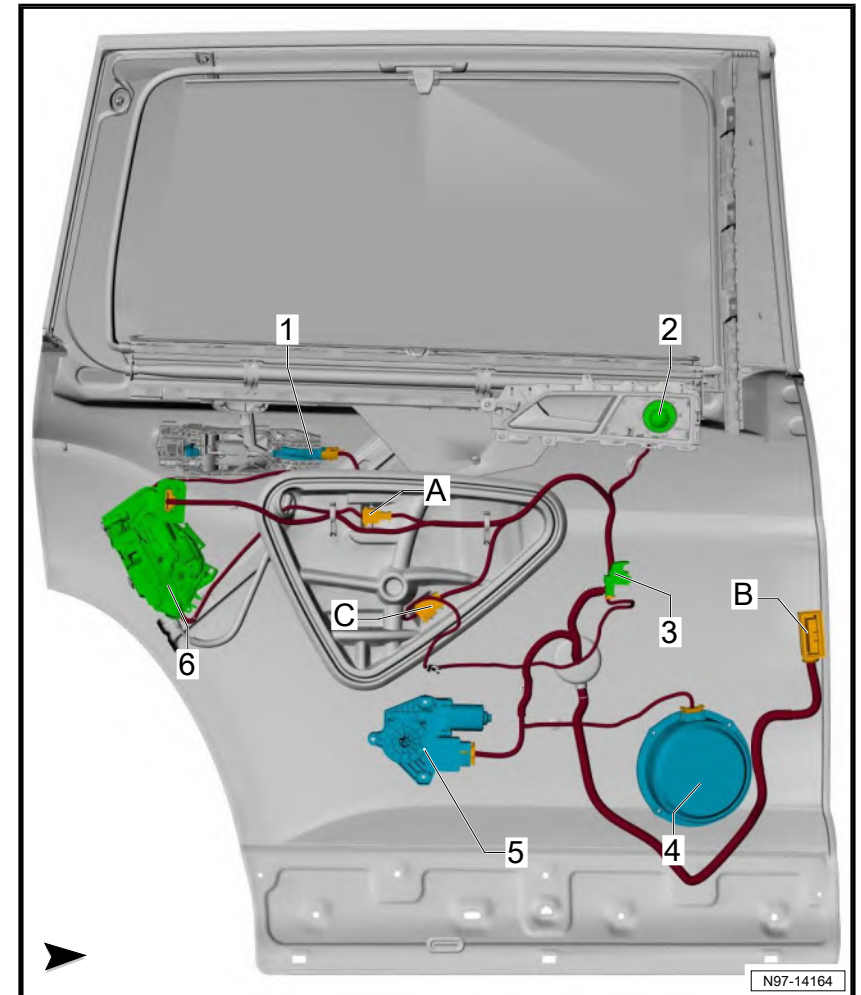
2 - Left rear treble speaker -R14-

3 - Driver side rear power window button -E711-

4 - Left rear bass speaker -R15-

5 - Driver side rear window regulator motor -V471-

6 - Left rear door lock unit -VX23-



Return to overview ⇒ [page 1](#)

### 1.5.4 Right rear door

A - 4-Pin Connector -T4q- , black / 4-Pin Connector -T4v- , black

B - 8-Pin Connector -T8o- , black / 8-Pin Connector -T8t- , black

C - 27-Pin Connector -T27d- , black

1 - Right rear treble speaker -R16-

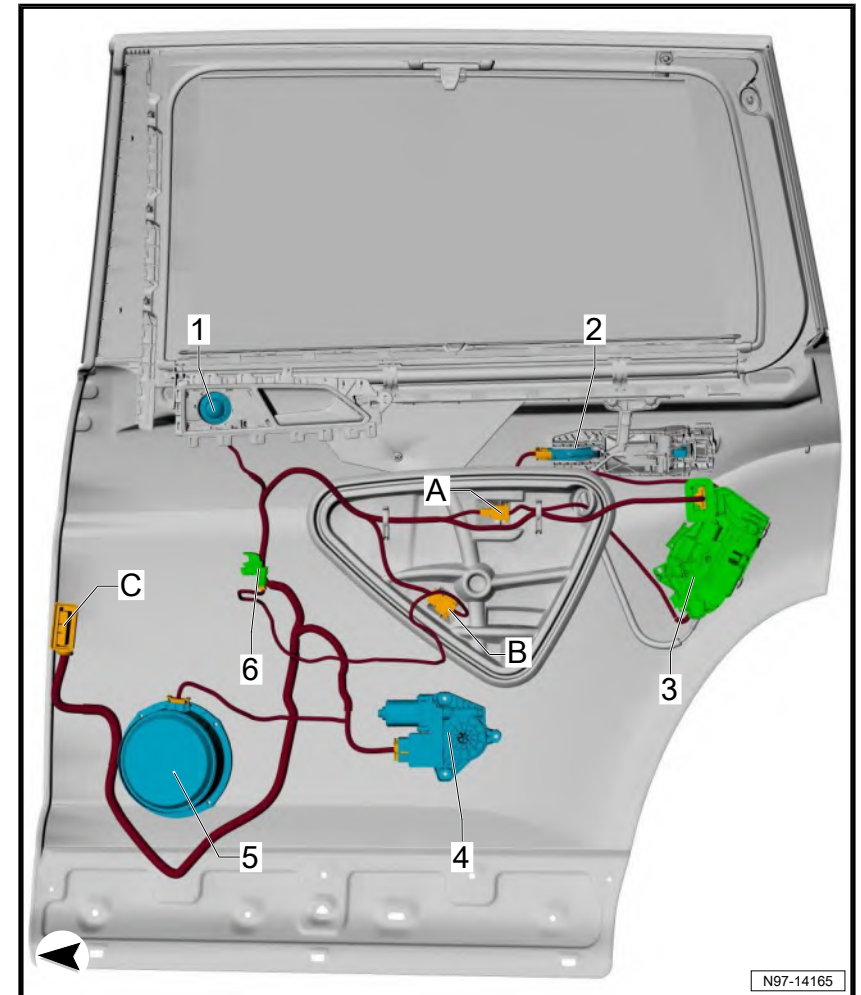
2 - Right rear exterior door handle -EX9-

3 - Right rear door lock unit -VX24-

4 - Passenger side rear window regulator motor -V472-

5 - Right rear bass speaker -R17-

6 - Passenger side rear power window button -E713-



Return to overview ⇒ [page 1](#)

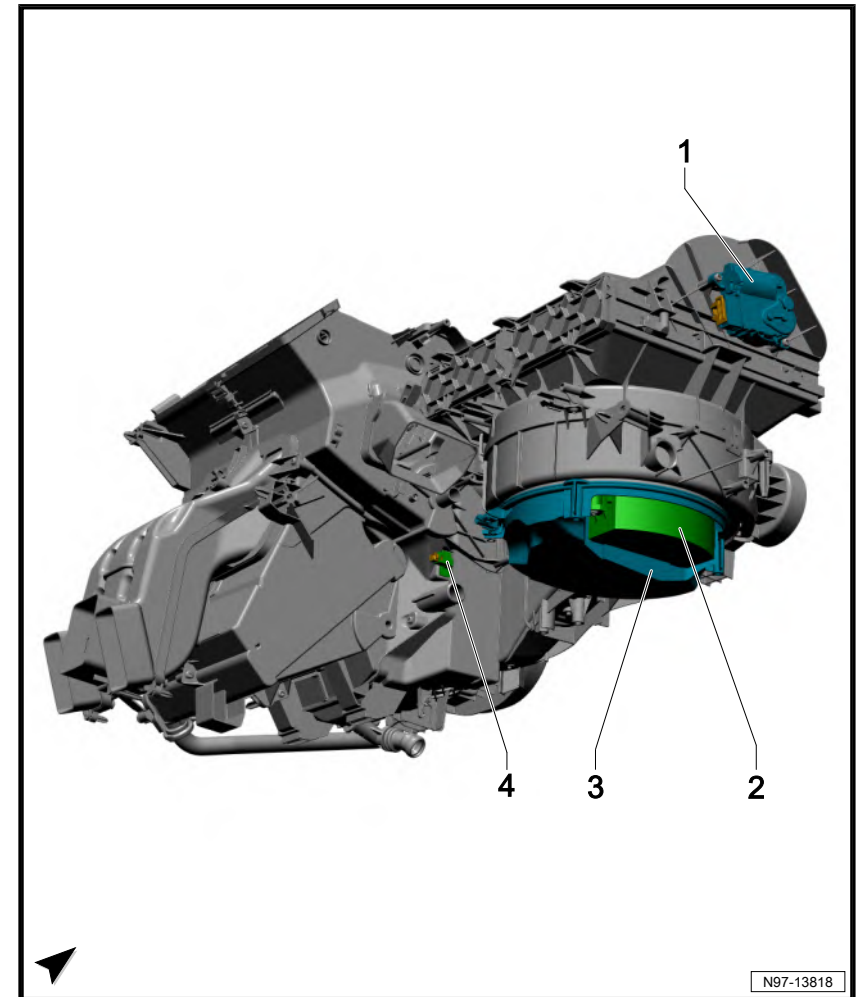
### 1.6 HVAC

◆ ⇒ [“1.6.1 A/C System, KH9, part 1”, page 27](#)

- ◆ ⇒ [“1.6.2 A/C System, KH9, part 2”, page 28](#)
- ◆ ⇒ [“1.6.3 Climatronic, KH8, part 1”, page 29](#)
- ◆ ⇒ [“1.6.4 Climatronic, KH8, part 2”, page 30](#)
- ◆ ⇒ [“1.6.5 Center Console A/C Unit”, page 31](#)

### 1.6.1 A/C System, KH9, part 1

- 1 - Recirculation door motor -V113-
- 2 - Fresh air blower control module -J126-
  - ❑ For vehicles with A/C system
  - ❑ Component location for vehicles with Climatronic ⇒ [Item 3 \(page 29\)](#)
- 3 - Fresh air blower -V2-
  - ❑ For vehicles with A/C system
  - ❑ Component location for vehicles with Climatronic ⇒ [Item 4 \(page 29\)](#)
- 4 - Evaporator temperature sensor -G308-
  - ❑ For vehicles with A/C system
  - ❑ Component location for vehicles with Climatronic ⇒ [Item 6 \(page 29\)](#)





Return to overview [⇒ page 1](#)

## 1.6.2 A/C System, KH9, part 2

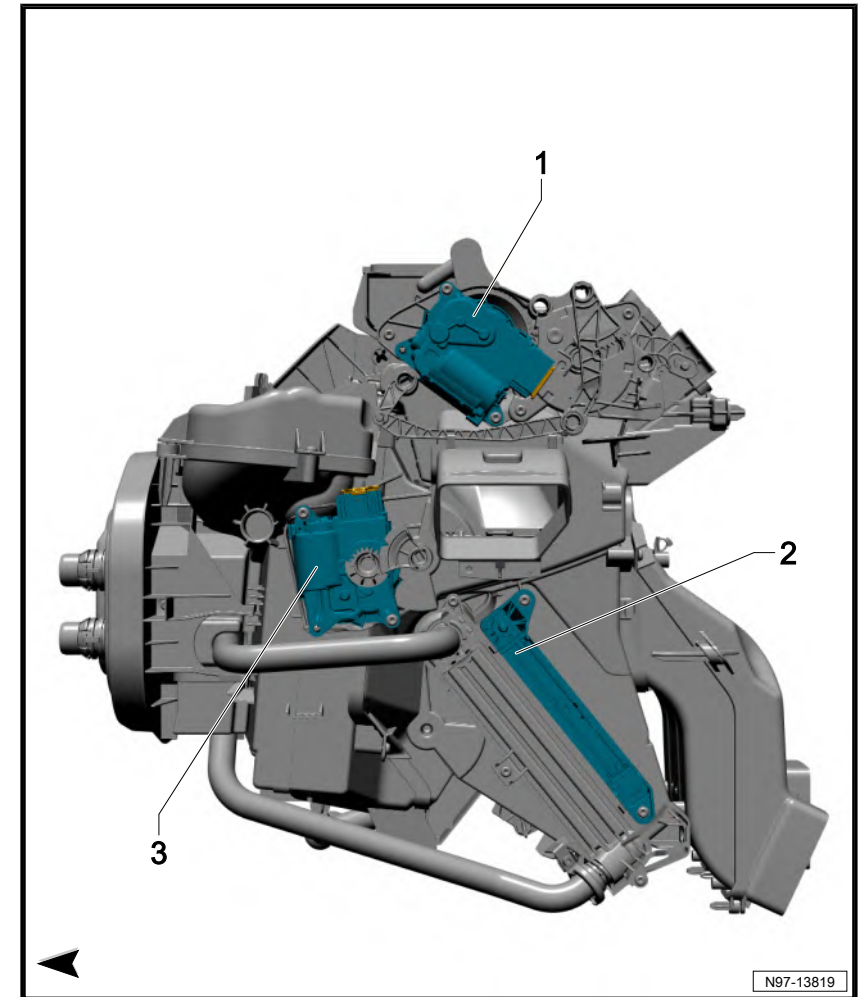
### 1 - Air distribution door -VX33-

- For vehicles with A/C system
- Component location for vehicles with Climatronic [⇒ Item 1 \(page 30\)](#)

### 2 - Not installed

### 3 - Left front control temperature door -VX34-

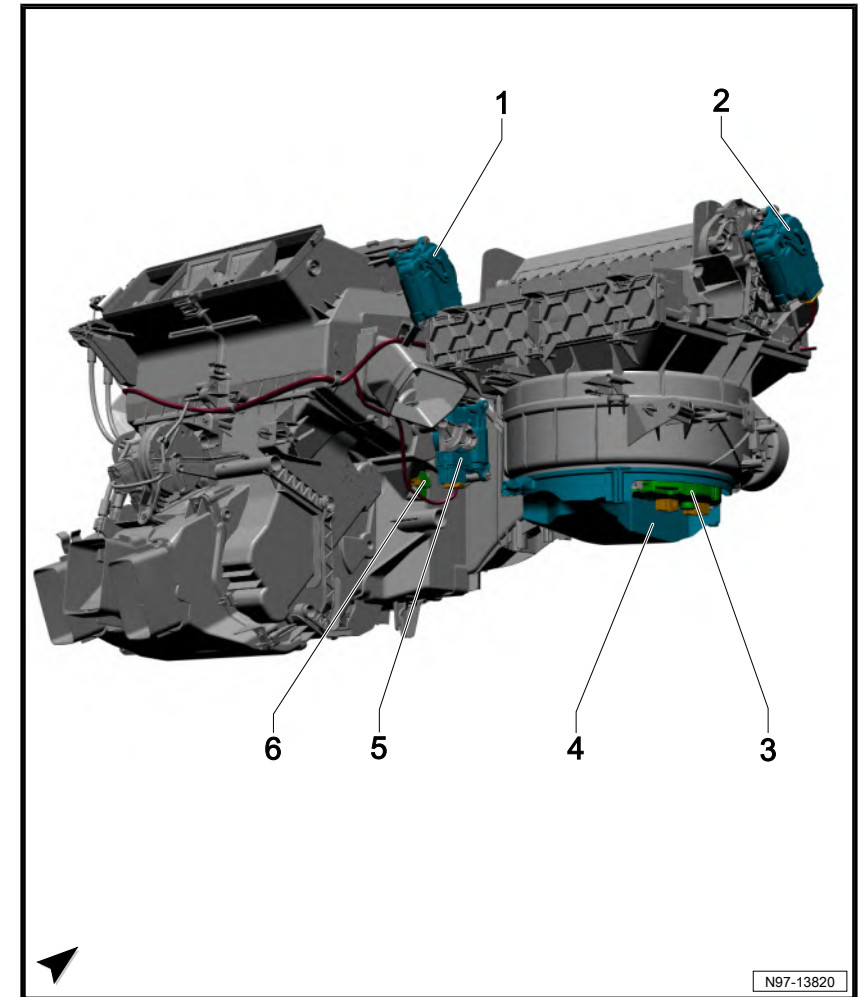
- For vehicles with A/C system
- Component location for vehicles with Climatronic [⇒ Item 5 \(page 30\)](#)



Return to overview ⇒ [page 1](#)

### 1.6.3 Climatronic, KH8, part 1

- 1 - Defroster door -VX47-
- 2 - Air recirculation door -VX52-
- 3 - Fresh air blower control module -J126-
  - For vehicles with Climatronic
  - Component location for vehicles with an A/C system ⇒ [Item 2 \(page 27\)](#)
- 4 - Fresh air blower -V2-
  - For vehicles with Climatronic
  - Component location for vehicles with an A/C system ⇒ [Item 3 \(page 27\)](#)
- 5 - Right front temperature control door -VX35-
- 6 - Evaporator temperature sensor -G308-
  - For vehicles with Climatronic
  - Component location for vehicles with an A/C system ⇒ [Item 4 \(page 27\)](#)



Return to overview ⇒ [page 1](#)

### 1.6.4 Climatronic, KH8, part 2

**1 - Air distribution door -VX33-**

- For vehicles with Climatronic
- Component location for vehicles with an A/C system ⇒ [Item 1 \(page 28\)](#)

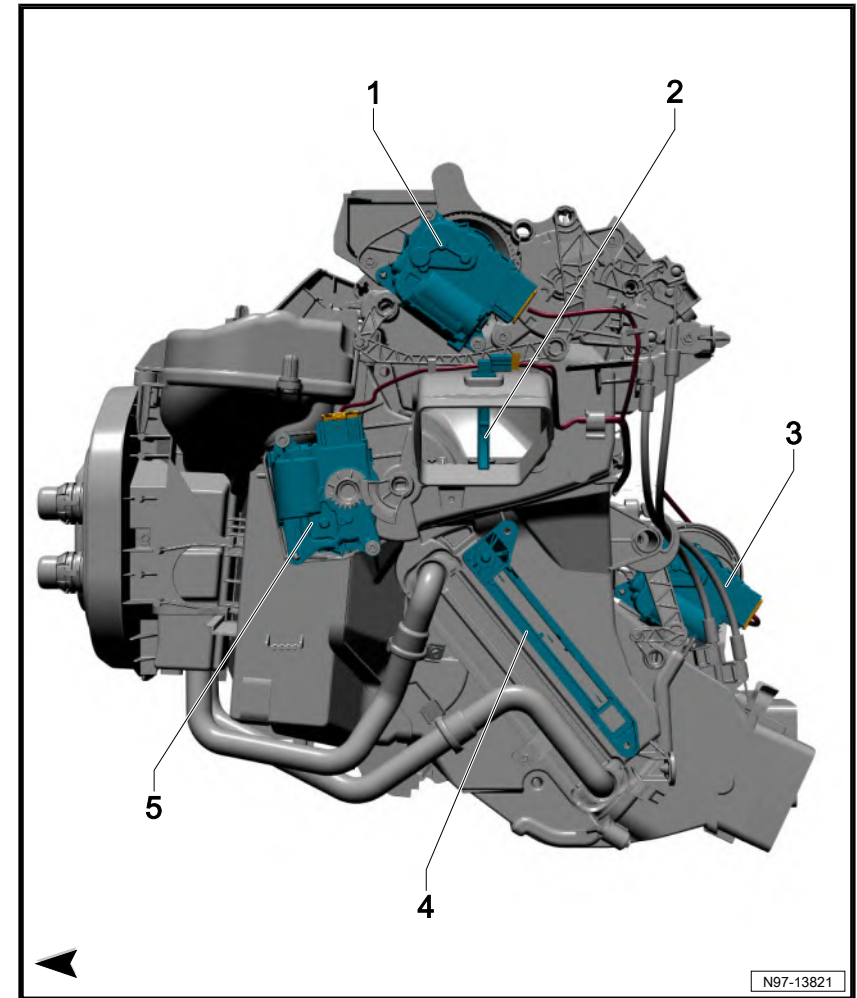
**2 - Footwell vent temperature sensor -G192-**

**3 - Not installed**

**4 - Not installed**

**5 - Left front control temperature door -VX34-**

- For vehicles with Climatronic
- Component location for vehicles with an A/C system ⇒ [Item 3 \(page 28\)](#)



Return to overview ⇒ [page 1](#)

### 1.6.5 Center Console A/C Unit

A - 16-Pin Connector -T16e- , brown / 16-Pin Connector -T16k- , brown

1 - Rear fresh air blower control module -J391-

2 - Rear vent temperature sensor -G174-

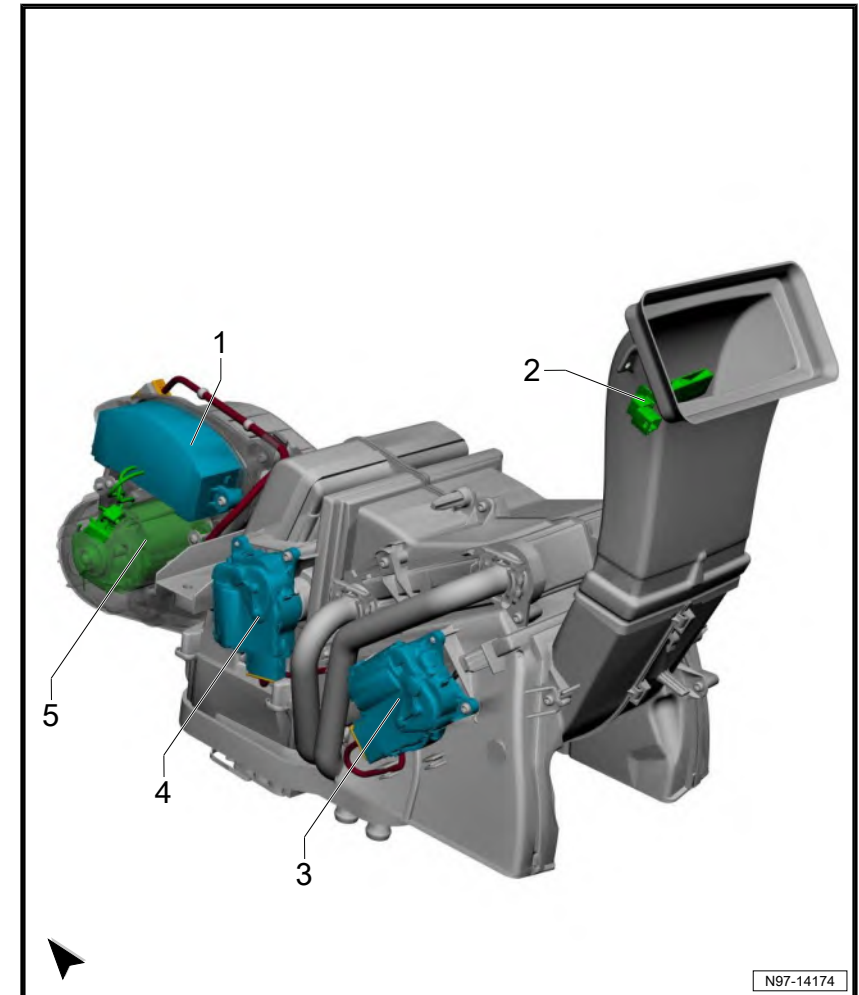
3 - Rear Air Distribution Door Motor -V427-

□ Rear air distribution door motor position sensor -G643-

4 - Rear temperature control door motor -V137-

□ Rear temperature control door motor position sensor -G479-

5 - Rear fresh air blower -V80-



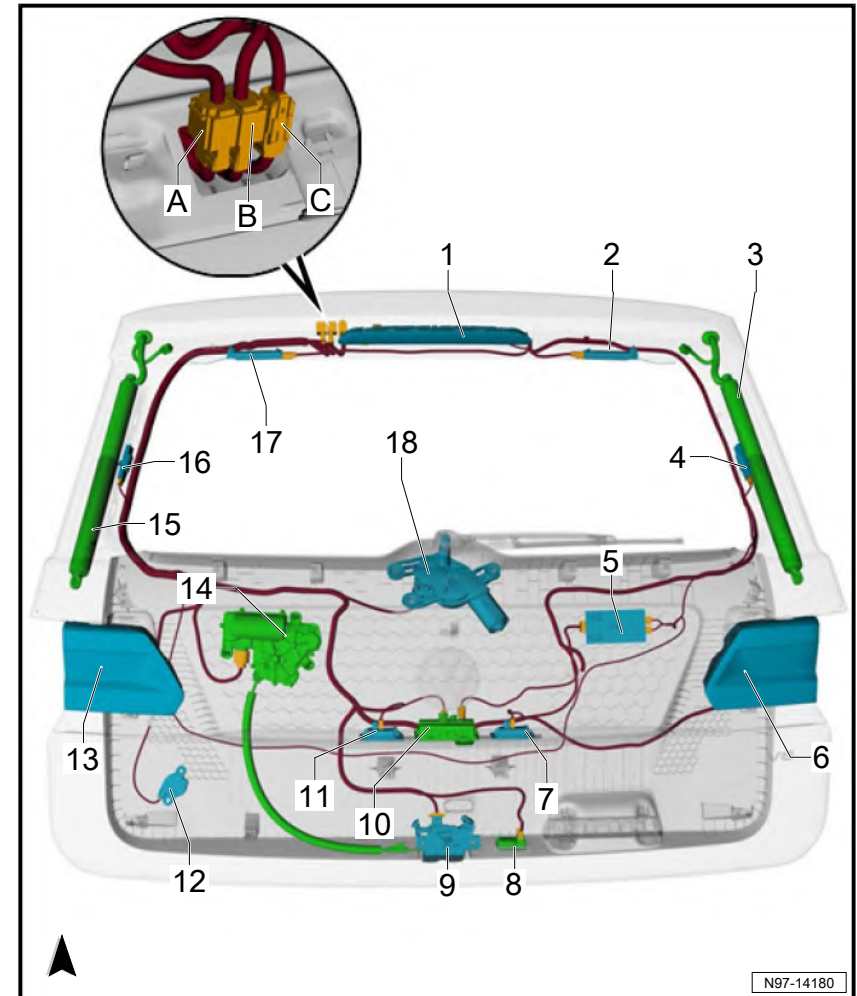
Return to overview ⇒ [page 1](#)

**1 Comp.Loc.: Vehicle Rear**

- ◆ ⇒ [“1.1 Tailgate”, page 1](#)
- ◆ ⇒ [“1.2 Bumper, rear”, page 3](#)
- ◆ ⇒ [“1.3 Vehicle rear, left view”, page 4](#)
- ◆ ⇒ [“1.4 Vehicle rear, right view”, page 5](#)

**1.1 Tailgate**

- A - 10-pin connector -T10b- , brown / 10-pin connector -T10s- , brown
- B - 10-pin connector -T10a- , black / 10-pin connector -T10r- , black
- C - 10-pin connector -T10c- , black / 10-pin connector -T10q- , black
- 1 - High-mounted brake lamp bulb -M25-
- 2 - Right antenna module -R109-
- 3 - Rear lid motor 2 -V445-
- 4 - FM frequency filter in negative wire -R178-
- 5 - AM frequency filter -R177-
- 6 - Right tail lamp 2 -MX6-
- 7 - Right license plate lamp -X5-
- 8 - Rear lid lock button in luggage compartment -E406-
- 9 - Rear lid lock unit -VX25-
- 10 - Rear lid handle -EX37-
- 11 - Left license plate lamp -X4-
- 12 - Rear lid warning buzzer -H32-
- 13 - Left tail lamp 2 -MX5-
- 14 - Rear lid closing aid -VX16-
- 15 - Rear lid motor 1 -V444-
- 16 - FM frequency filter in positive wire -R179-
- 17 - Left antenna module -R108-
- 18 - Rear window wiper motor -V12-



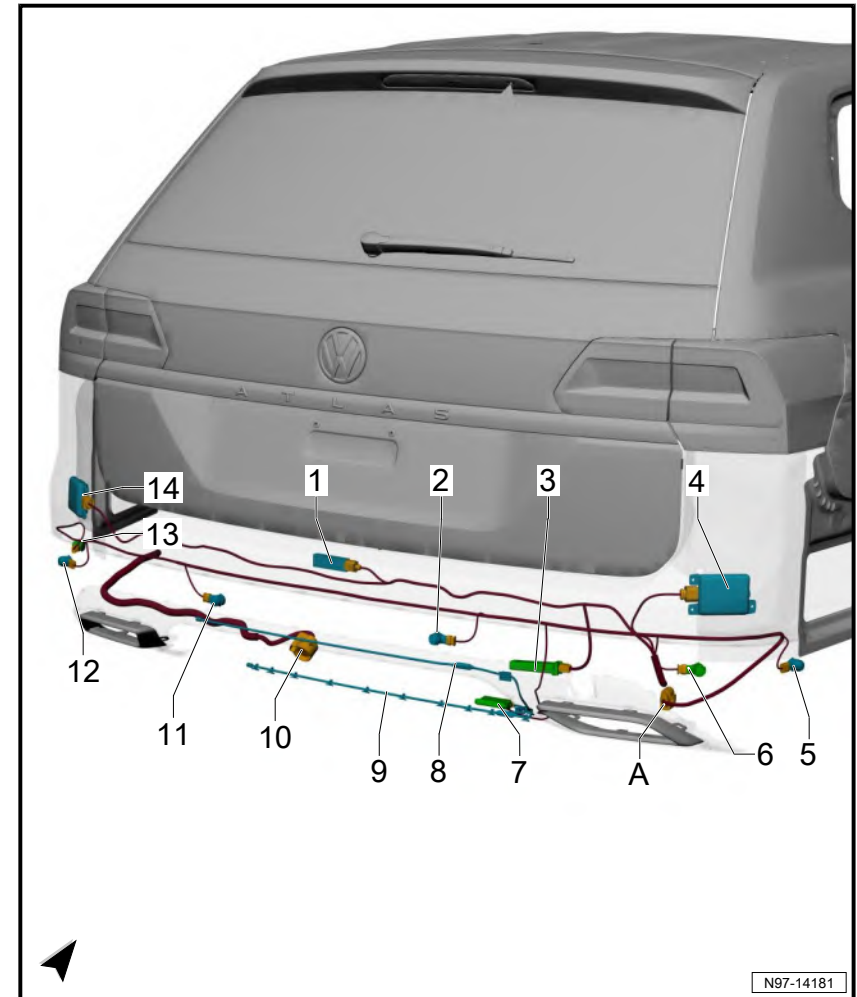
Back to top ⇒ [page 1](#)

## 1.2 Bumper, rear

A - 4-pin connector -T4ab- , black / 4-pin connector -T4bk- , black

A - 14-pin connector -T14c- , black / 14-pin connector -T14m- , black

- 1 - Access/start system antenna in rear bumper -R136-
- 2 - Right rear center parking aid sensor -G205-
- 3 - Tire pressure monitoring control module -J502-
- 4 - Blind spot detection control module -J1086-
- 5 - Right rear parallel parking assistance sensor -G717-
- 6 - Right rear parking aid sensor -G206-
- 7 - Rear lid opener control module -J938-
- 8 - Power rear lid opener sensor -G750-
- 9 - Rear lid opener sensor 2 -G760-
- 10 - Trailer socket -U10-
- 11 - Left rear center parking aid sensor -G204-
- 12 - Left rear parking aid sensor -G203-
- 13 - Left rear parallel parking assistance sensor -G716-
- 14 - Blind spot detection control module 2 -J1087-

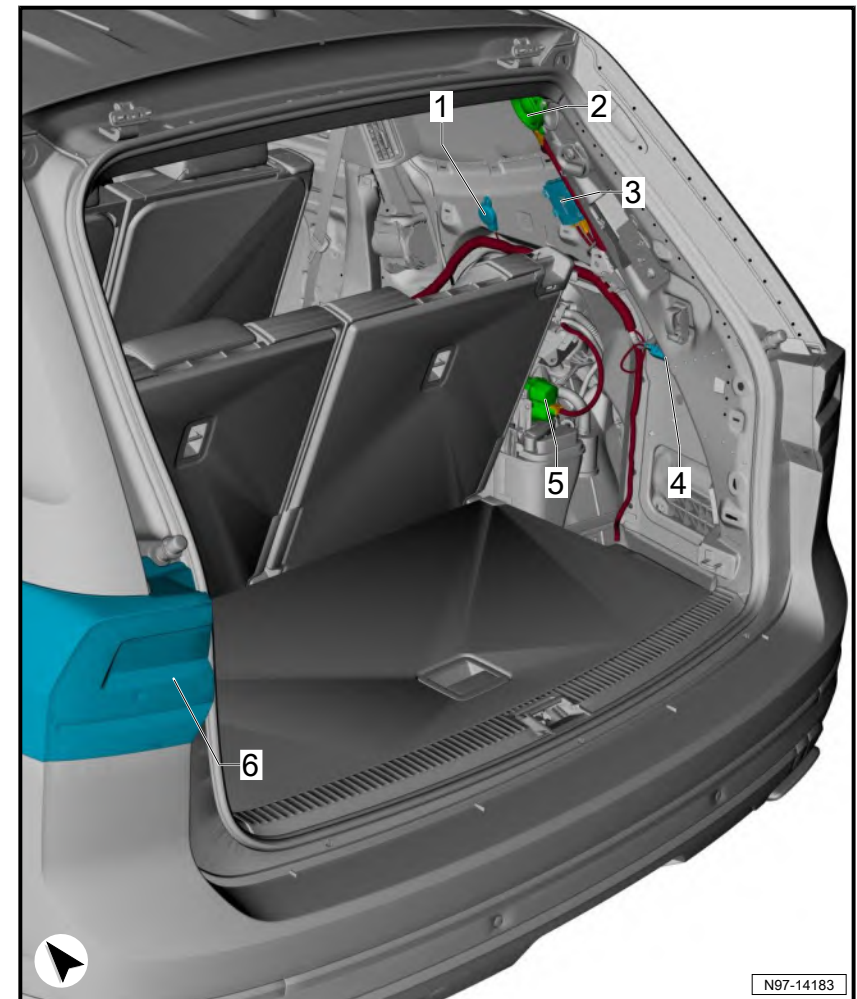


Volkswagen Technical Site: <https://vwts.ru>

Back to top ⇒ [page 1](#)

### 1.3 Vehicle rear, left view

- 1 - Rear parking aid warning buzzer -H15-
- 2 - Right effects speaker -R210-
- 3 - Auxiliary coolant heater radio frequency receiver -R149-
- 4 - Luggage compartment lamp -W3-
- 5 - Fuel tank leak detection control module -J909-
- 6 - Left tail lamp -MX3-





Back to top ⇒ [page 1](#)

### 1.4 Vehicle rear, right view

A - 8-pin connector -T8ah- , black / 8-pin connector -T8p- , black

1 - Fuel filler door unlock -EX13-

2 - Right tail lamp -MX4-

3 - Subwoofer -R211-

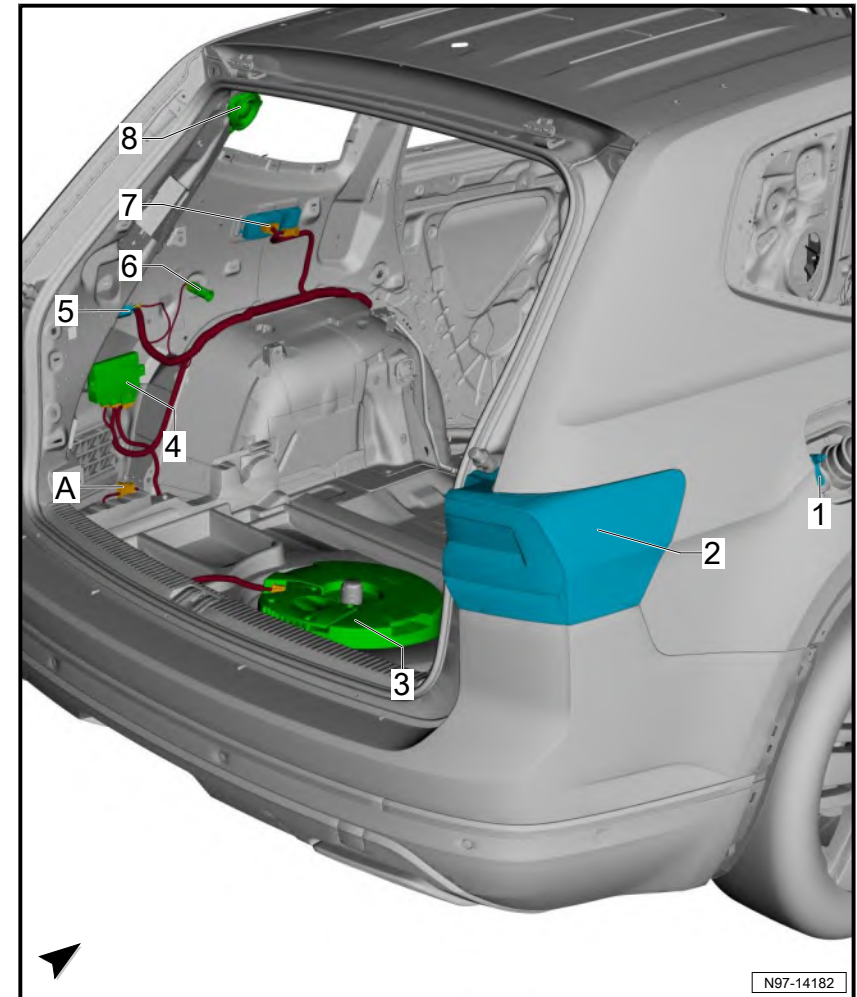
4 - Towing recognition control module -J345-

5 - Luggage compartment lamp 2 -W115-

6 - 12 V socket -U5-

7 - Rear lid control module -J605-

8 - Left effects speaker -R209-



Back to top ⇒ [page 1](#)

1 Comp. Loc.: Vehicle Underbody

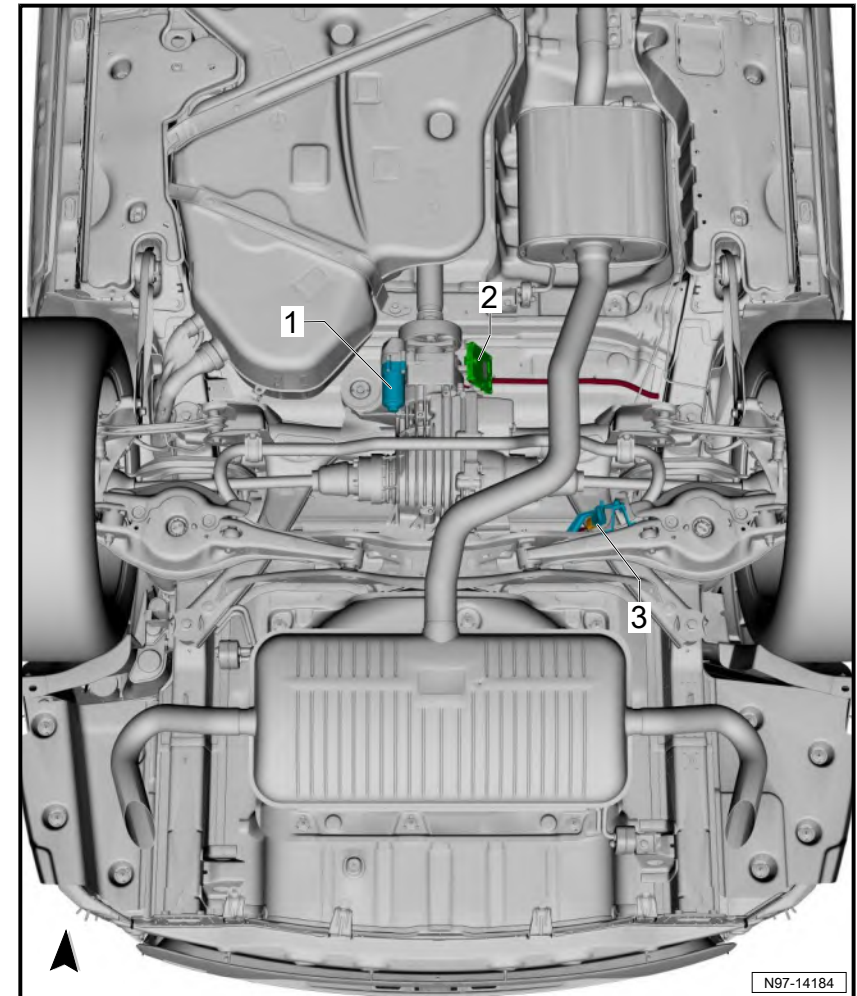
◆ ⇒ ["1.2 Underbody, rear", page 1](#)

1.1 Components index

Component	Chapter	Comment
Left rear level control system sensor -G76-	⇒ <a href="#">"1.2 Underbody, rear", page 1</a>	
All wheel drive control module -J492-	⇒ <a href="#">"1.2 Underbody, rear", page 1</a>	
Haldex clutch pump -V181-	⇒ <a href="#">"1.2 Underbody, rear", page 1</a>	

1.2 Underbody, rear

- 1 - Haldex clutch pump -V181-
- 2 - All wheel drive control module -J492-
- 3 - Left rear level control system sensor -G76-



Back to top ⇒ [page 1](#)

1 Conn. View: Component w/ Prefix A to D

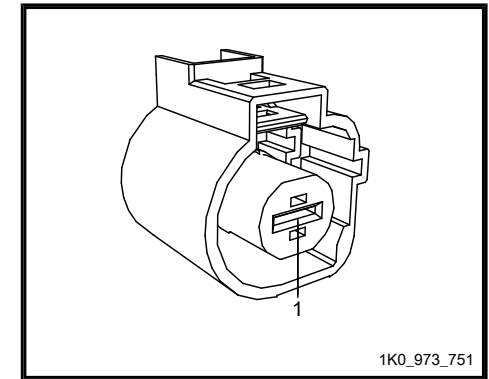
- ◆ ⇒ [“1.1 Starter B”, page 1](#)
- ◆ ⇒ [“1.2 Generator with voltage regulator CX1”, page 1](#)
- ◆ ⇒ [“1.3 Anti-theft immobilizer reader coil D2”, page 2](#)

1.1 Starter -B-

- ◆ ⇒ [“1.1.1 1-pin connector T1ig”, page 1](#)

1.1.1 1-pin connector -T1ig-

1-pin connector -T1ig-



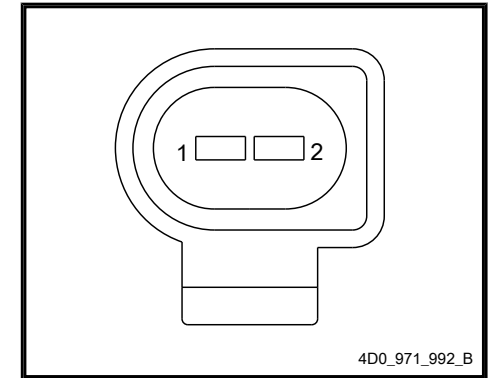
Cavity	Function
1	Power (30)

1.2 Generator with voltage regulator -CX1-

- ◆ ⇒ [“1.2.1 2-pin connector T2ga”, page 2](#)

1.2.1 2-pin connector -T2ga-

2-pin connector -T2ga-



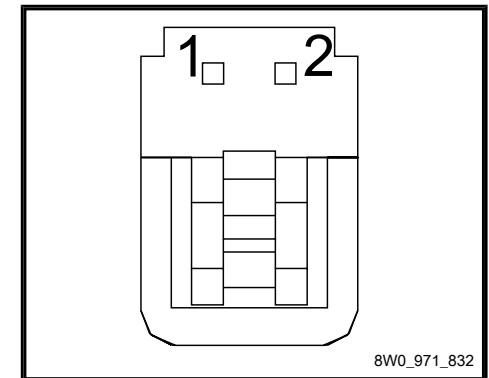
Cavity	Function	Cavity	Function
1	LIN Bus	2	...

1.3 Anti-theft immobilizer reader coil -D2-

◆ ⇒ ["1.3.1 2-pin connector T2bo", page 2](#)

1.3.1 2-pin connector -T2bo-

2-pin connector -T2bo-



Cavity	Function	Cavity	Function
1	Signal (+)	2	Signal (-)

## 1 Conn. View: Component w/ Prefix E

- ◆ ⇒ [D1.1 river seat belt switchE24 ”, page 2](#)
- ◆ ⇒ [F1.2 ront passenger seat belt switchE25 ”, page 2](#)
- ◆ ⇒ [G1.3 love compartment lamp switchE26 ”, page 3](#)
- ◆ ⇒ [D1.4 river seat lumbar support adjustment switchE176 ”, page 4](#)
- ◆ ⇒ [R1.5 ear lid remote release buttonE233 ”, page 4](#)
- ◆ ⇒ [R1.6 ear A/C display control headE265 ”, page 5](#)
- ◆ ⇒ [G1.7 arage door opener control headE284 ”, page 6](#)
- ◆ ⇒ [D1.8 river interior locking buttonE308 ”, page 6](#)
- ◆ ⇒ [F1.9 ront passenger interior locking buttonE309 ”, page 7](#)
- ◆ ⇒ [S1.10 tart system buttonE378 ”, page 7](#)
- ◆ ⇒ [R1.11 ear lid lock button in luggage compartmentE406 ”, page 8](#)
- ◆ ⇒ [E1.12 lectromechanical parking brake buttonE538 ”, page 8](#)
- ◆ ⇒ [R1.13 oof shade button 1E584 ”, page 9](#)
- ◆ ⇒ [D1.14 river side rear power window buttonE711 ”, page 9](#)
- ◆ ⇒ [P1.15 assenger side rear power window buttonE713 ”, page 10](#)
- ◆ ⇒ [F1.16 ront passenger power window buttonE716 ”, page 10](#)
- ◆ ⇒ [T1.17 elematics button moduleE734 ”, page 11](#)
- ◆ ⇒ [D1.18 riving profile selection control headE881 ”, page 11](#)
- ◆ ⇒ [R1.19 otary light switchEX1 ”, page 12](#)
- ◆ ⇒ [S1.20 elector mechanismEX2 ”, page 12](#)
- ◆ ⇒ [I1.21 nterior rearview mirrorEX5 ”, page 13](#)
- ◆ ⇒ [L1.22 eft rear exterior door handleEX8 ”, page 13](#)
- ◆ ⇒ [R1.23 ight rear exterior door handleEX9 ”, page 14](#)
- ◆ ⇒ [E1.24 xterior rearview mirror adjusterEX11 ”, page 14](#)
- ◆ ⇒ [F1.25 uel filler door unlockEX13 ”, page 15](#)

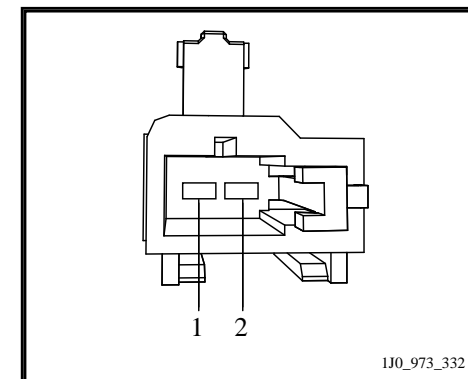
- ◆ ⇒ [H1.26 eater and A/C controlsEX21 ”, page 15](#)
- ◆ ⇒ [S1.27 witch module in instrument panel, centerEX22 ”, page 17](#)
- ◆ ⇒ [C1.28 enter console switch module 2EX30 ”, page 17](#)
- ◆ ⇒ [L1.29 eft front seat adjustment control headEX33 ”, page 18](#)
- ◆ ⇒ [R1.30 ight front seat adjustment control headEX34 ”, page 19](#)
- ◆ ⇒ [P1.31 ower window control head in driver doorEX36 ”, page 20](#)
- ◆ ⇒ [R1.32 ear lid handleEX37 ”, page 21](#)
- ◆ ⇒ [L1.33 eft front seat adjustment control head 2EX38 ”, page 23](#)

### 1.1 Driver seat belt switch -E24-

- ◆ ⇒ [21.1.1 -pin connectorT2ge ”, page 2](#)

#### 1.1.1 2-pin connector -T2ge-

2-pin connector -T2ge-

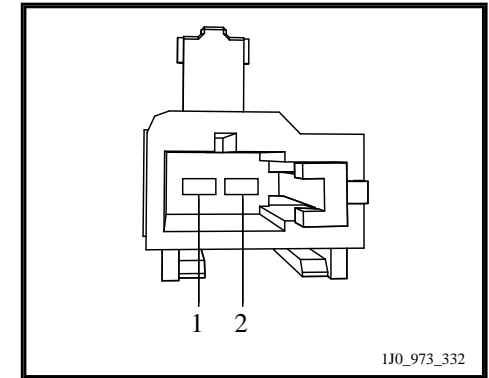


### 1.2 Front passenger seat belt switch -E25-

- ◆ ⇒ [21.2.1 -pin connector T2gg ”, page 2](#)

#### 1.2.1 2-pin connector -T2gg-

2-pin connector -T2gg-



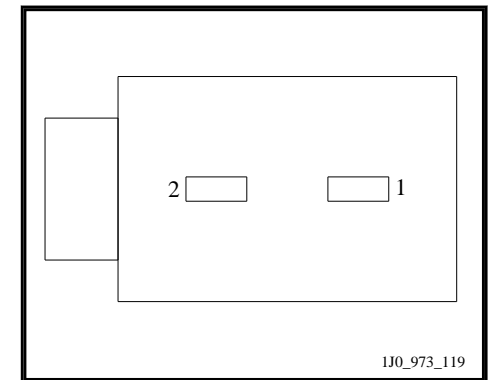
**1.3 Glove compartment lamp switch -E26-**

◆ ⇒ [21.3.1 -pin connector T2cz](#) ", page 3

◆ ⇒ [31.3.2 -pin connector T3do](#) ", page 3

**1.3.1 2-pin connector -T2cz-**

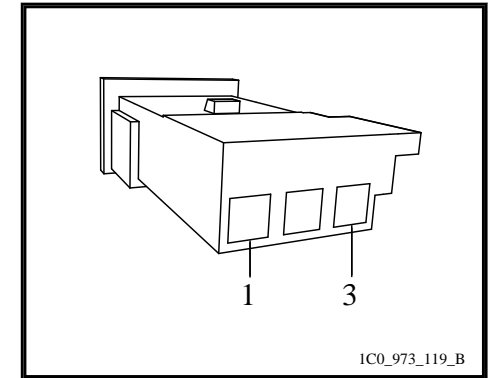
2-pin connector -T2cz-



**1.3.2 3-pin connector -T3do-**

3-pin connector -T3do-



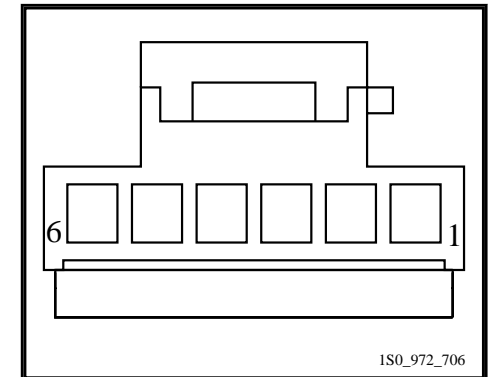


1.4 Driver seat lumbar support adjustment switch -E176-

◆ ⇒ [-1.4.1 6pin connector T6ah](#) ", page 4

1.4.1 -6pin connector -T6ah-

6-pin connector -T6ah-

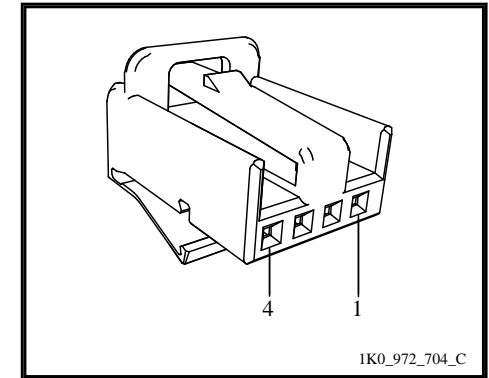


1.5 Rear lid remote release button -E233-

◆ ⇒ [41.5.1 -pin connector T4ad](#) ", page 4

1.5.1 4-pin connector -T4ad-

4-pin connector -T4ad-



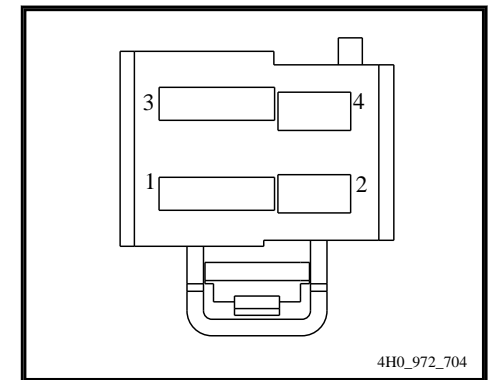
1.6 Rear A/C display control head -E265-

◆ ⇒ [41.6.1 -pin connector T4ap](#) ", page 5

◆ ⇒ [61.6.2 -pin connector T6l](#) ", page 5

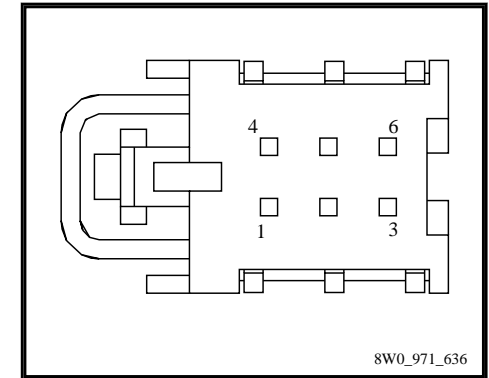
1.6.1 4-pin connector -T4ap-

4-pin connector -T4ap-



1.6.2 6-pin connector -T6l-

6-pin connector -T6l-

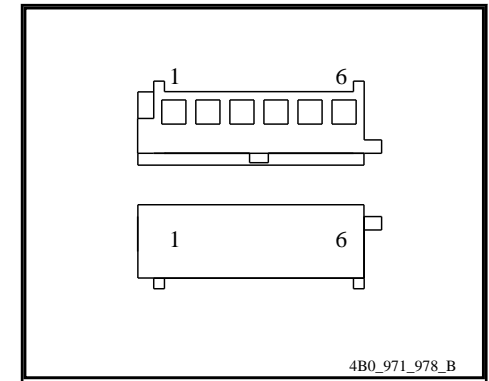


1.7 Garage door opener control head -E284-

◆ ⇒ [61.7.1 -pin connector T6b](#) ", page 6

1.7.1 6-pin connector -T6b-

6-pin connector -T6b-

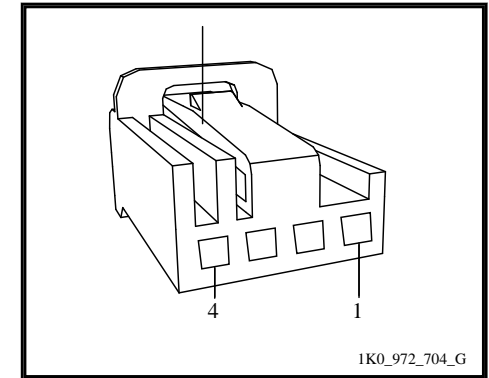


1.8 Driver interior locking button -E308-

◆ ⇒ [41.8.1 -pin connector T4ac](#) ", page 6

1.8.1 4-pin connector -T4ac-

4-pin connector -T4ac-

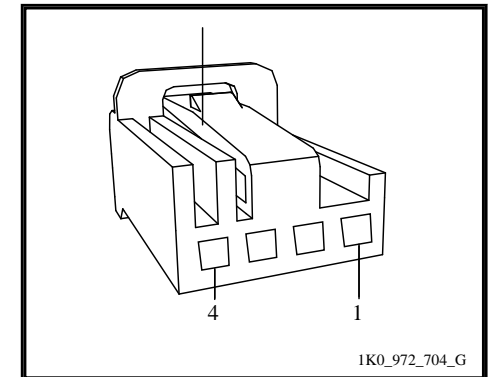


**1.9 Front passenger interior locking button -E309-**

◆ ⇒ [41.9.1 -pin connector T4ag](#) ", page 7

**1.9.1 4-pin connector -T4ag-**

4-pin connector -T4ag-

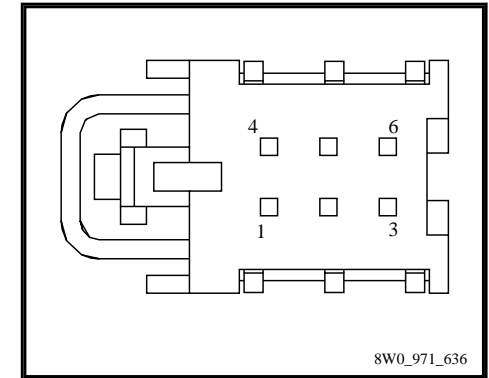


**1.10 Start system button -E378-**

◆ ⇒ [61.10.1 -pin connector T6m](#) ", page 7

**1.10.1 6-pin connector -T6m-**

6-pin connector -T6m-

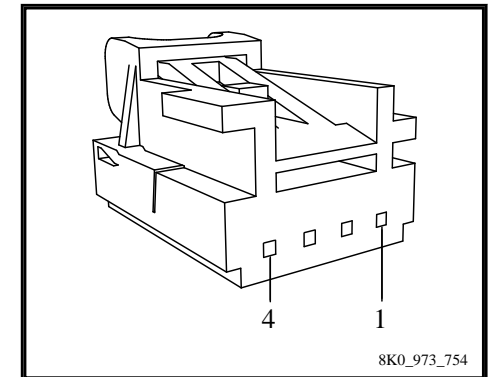


1.11 Rear lid lock button in luggage compartment -E406-

◆ ⇒ [41.11.1 -pin connector T4h](#) ", page 8

1.11.1 4-pin connector -T4h-

4-pin connector -T4h-

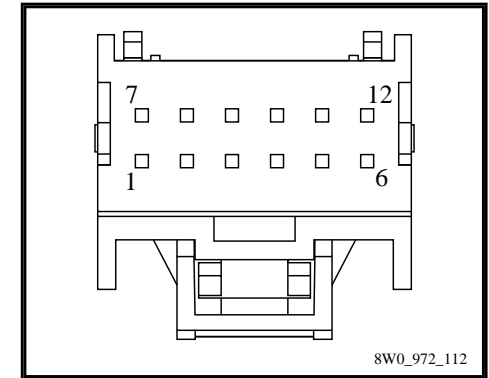


1.12 Electromechanical parking brake button -E538-

◆ ⇒ [11.12.1 2-pin connector T12b](#) ", page 8

1.12.1 12-pin connector -T12b-

12-pin connector -T12b-

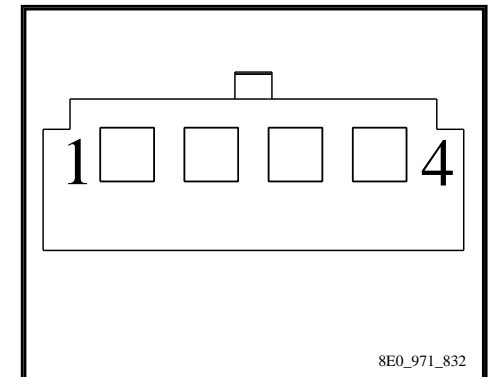


**1.13 Roof shade button 1 -E584-**

◆ ⇒ [41.13.1 -pin connector T4cp](#)”, page 9

**1.13.1 4-pin connector -T4cp-**

4-pin connector -T4cp-

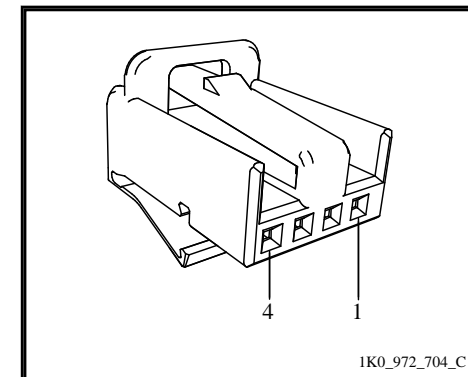


**1.14 Driver side rear power window button -E711-**

◆ ⇒ [41.14.1 -pin connector T4ai](#)”, page 9

**1.14.1 4-pin connector -T4ai-**

4-pin connector -T4ai-

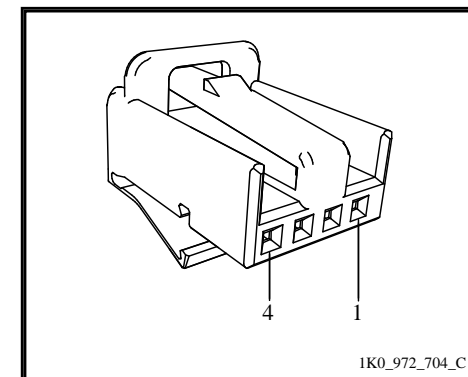


**1.15 Passenger side rear power window button -E713-**

◆ ⇒ [41.15.1 -pin connector T4ak](#)”, page 10

**1.15.1 4-pin connector -T4ak-**

4-pin connector -T4ak-

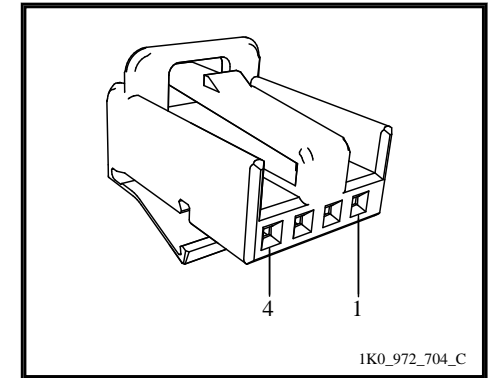


**1.16 Front passenger power window button -E716-**

◆ ⇒ [41.16.1 -pin connector T4af](#)”, page 10

**1.16.1 4-pin connector -T4af-**

4-pin connector -T4af-

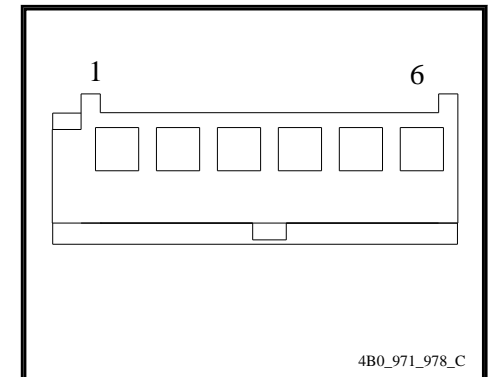


1.17 Telematics button module -E734-

◆ ⇒ [61.17.1 -pin connector T6a ", page 11](#)

1.17.1 6-pin connector -T6a-

6-pin connector -T6a-



1.18 Driving profile selection control head -E881-

◆ ⇒ [41.18.1 -pin connector T4am ", page 11](#)

1.18.1 4-pin connector -T4am-

4-pin connector -T4am-

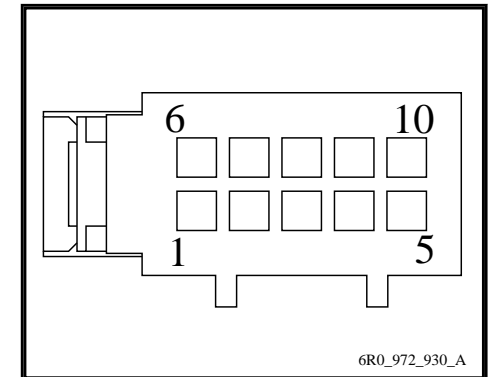
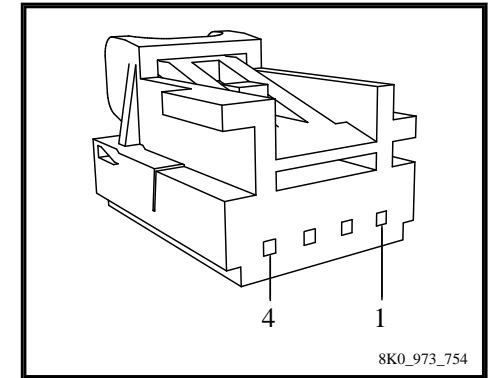


1.19 Rotary light switch -EX1-

◆ ⇒ [11.19.1 0-pin connector T10n](#), page 12

1.19.1 10-pin connector -T10n-

10-pin connector -T10n-

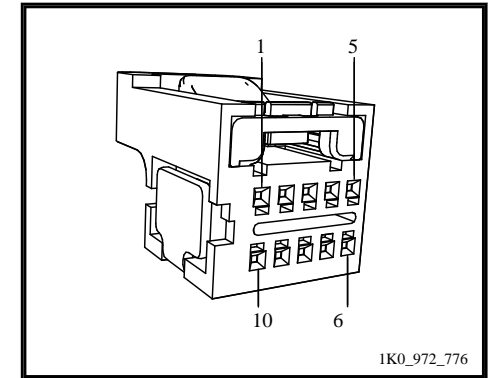


1.20 Selector mechanism -EX2-

◆ ⇒ [11.20.1 0-pin connector T10i](#), page 12

1.20.1 10-pin connector -T10i-

10-pin connector -T10i-

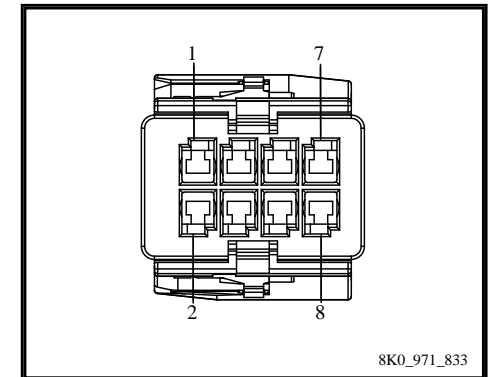


1.21 Interior rearview mirror -EX5-

◆ ⇒ [81.21.1 -pin connector T8u](#) ", page 13

1.21.1 8-pin connector -T8u-

8-pin connector -T8u-

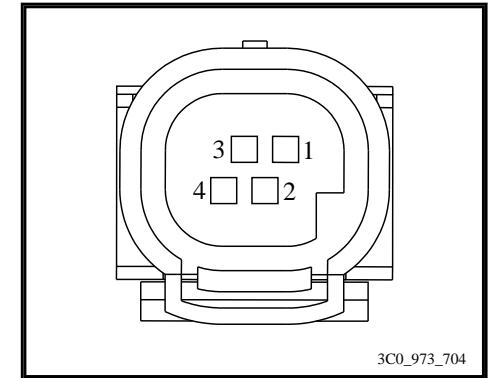


1.22 Left rear exterior door handle -EX8-

◆ ⇒ [41.22.1 -pin connector T4s](#) ", page 13

1.22.1 4-pin connector -T4s-

4-pin connector -T4s-

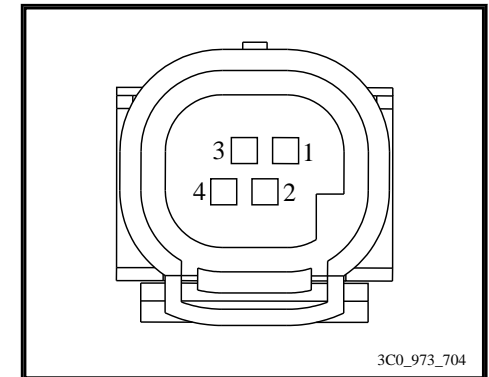


1.23 Right rear exterior door handle -EX9-

◆ ⇒ [41.23.1 -pin connector T4u](#) ", page 14

1.23.1 4-pin connector -T4u-

4-pin connector -T4u-

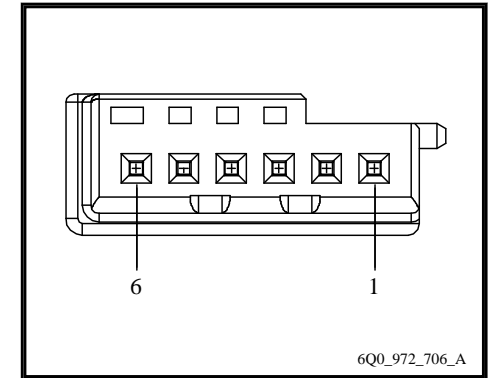


1.24 Exterior rearview mirror adjuster -EX11-

◆ ⇒ [61.24.1 -pin connector T6h](#) ", page 14

1.24.1 6-pin connector -T6h-

6-pin connector -T6h-

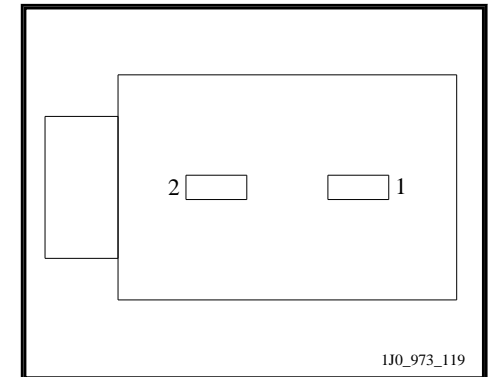


1.25 Fuel filler door unlock -EX13-

◆ ⇒ [21.25.1 -pin connector T2cu](#)”, page 15

1.25.1 2-pin connector -T2cu-

2-pin connector -T2cu-



1.26 Heater and A/C controls -EX21-

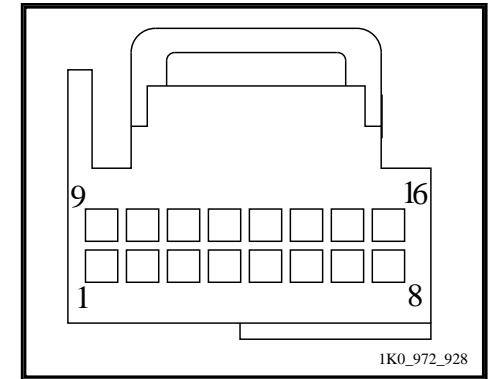
◆ ⇒ [61.26.1 -pin connector T16i](#)”, page 15

◆ ⇒ [61.26.2 -pin connector T16j](#)”, page 16

◆ ⇒ [21.26.3 0-pin connector T20f](#)”, page 16

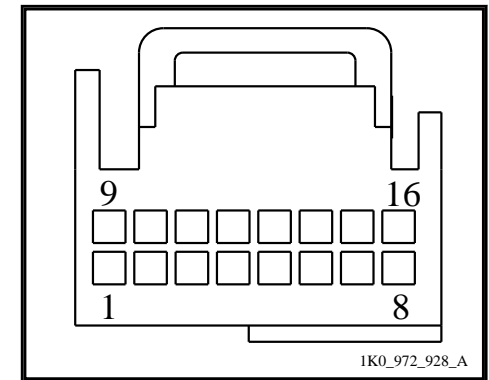
1.26.1 6-pin connector -T16i-

6-pin connector -T16i-



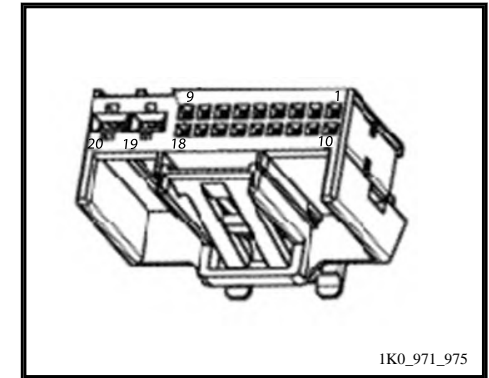
1.26.2 6-pin connector -T16j-

6-pin connector -T16j-



1.26.3 20-pin connector -T20f-

20-pin connector -T20f-

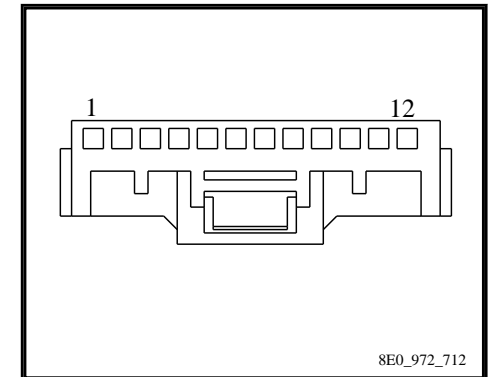


1.27 Switch module in instrument panel, center -EX22-

◆ ⇒ [11.27.1 2-pin connector T12g](#)”, page 17

1.27.1 12-pin connector -T12g-

12-pin connector -T12g-

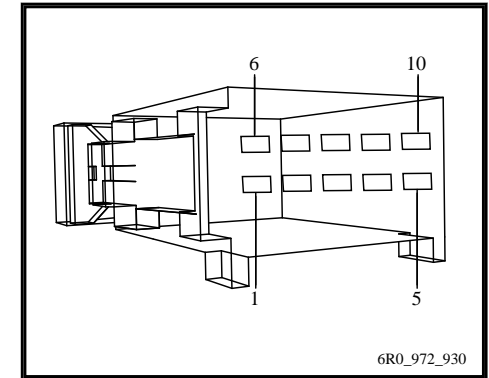


1.28 Center console switch module 2 -EX30-

◆ ⇒ [11.28.1 0-pin connector T10j](#)”, page 17

1.28.1 10-pin connector -T10j-

10-pin connector -T10j-

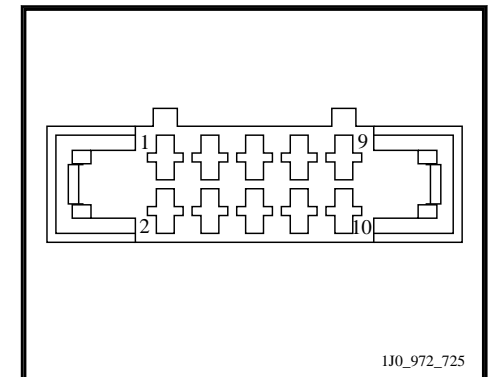


1.29 Left front seat adjustment control head -EX33-

- ◆ ⇒ [11.29.1 0-pin connector T10aa](#) ", page 18
- ◆ ⇒ [11.29.2 2-pin connector T12i](#) ", page 18
- ◆ ⇒ [61.29.3 -pin connector T6ai](#) ", page 19

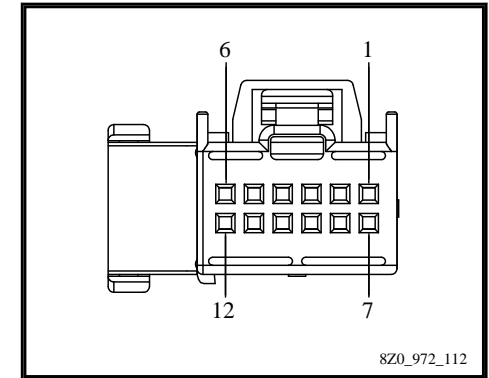
1.29.1 10-pin connector -T10aa-

10-pin connector -T10aa-



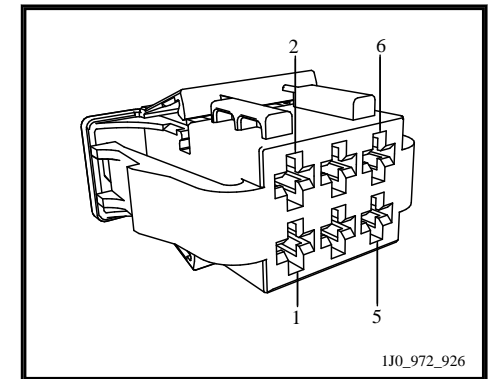
1.29.2 12-pin connector -T12i-

12-pin connector -T12i-



### 1.29.3 6-pin connector -T6ai-

6-pin connector -T6ai-



### 1.30 Right front seat adjustment control head -EX34-

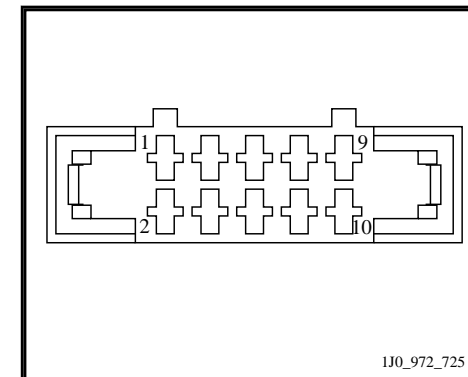
◆ ⇒ [11.30.1 0-pin connector T10ab](#)”, page 19

◆ ⇒ [61.30.2 -pin connector T6al](#)”, page 20

#### 1.30.1 10-pin connector -T10ab-

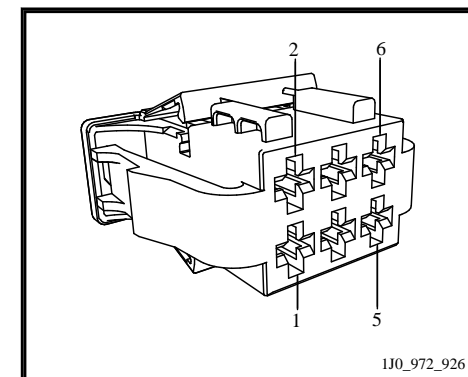
10-pin connector -T10ab-





1.30.2 6-pin connector -T6al-

6-pin connector -T6al-



1.31 Power window control head in driver door -EX36-

◆ ⇒ [11.31.1 0-pin connector T10g", page 20](#)

1.31.1 10-pin connector -T10g-

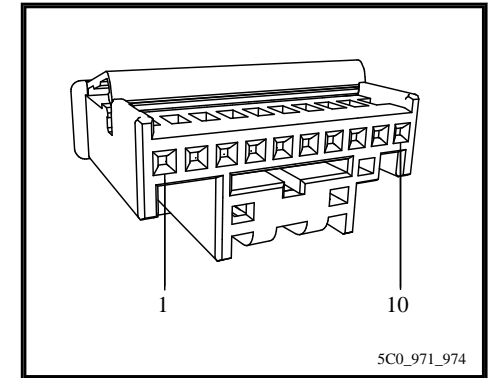
10-pin connector -T10g-

1.32 Rear lid handle -EX37-

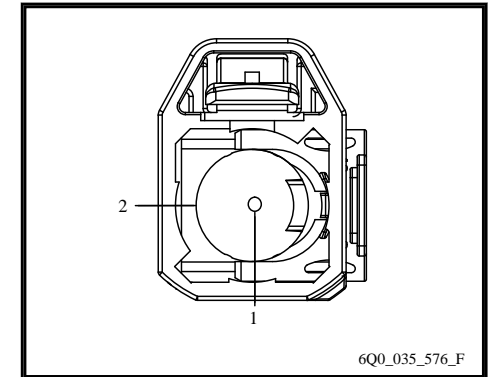
- ◆ ⇒ [21.32.1 -pin connector T2dm](#) ", page 21
- ◆ ⇒ [21.32.2 -pin connector T2i](#) ", page 21
- ◆ ⇒ [41.32.3 -pin connector T4bx](#) ", page 22
- ◆ ⇒ [51.32.4 -pin connector T5t](#) ", page 22
- ◆ ⇒ [81.32.5 -pin connector T8ai](#) ", page 23

1.32.1 2-pin connector -T2dm-

2-pin connector -T2dm-



5C0\_971\_974

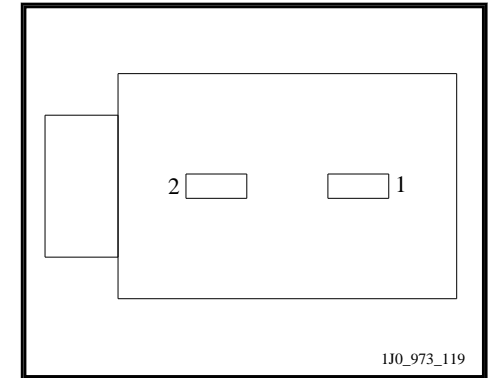


6Q0\_035\_576\_F

1.32.2 2-pin connector -T2i-

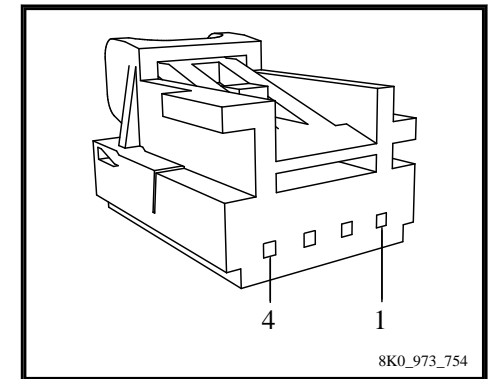
2-pin connector -T2i-

1.32.3 4-pin connector -T4bx-  
4-pin connector -T4bx-

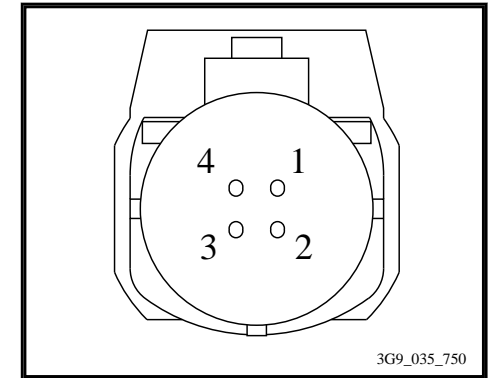


1J0\_973\_119

1.32.4 5-pin connector -T5t-  
5-pin connector -T5t-

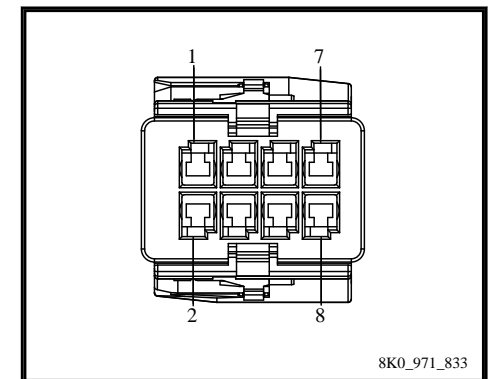


8K0\_973\_754



1.32.5 8-pin connector -T8ai-

8-pin connector -T8ai-

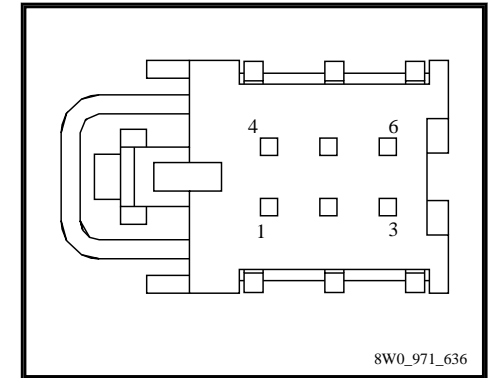


1.33 Left front seat adjustment control head 2 -EX38-

◆ ⇒ [61.33.1 -pin connector T6ak](#) ", page 23

1.33.1 6-pin connector -T6ak-

6-pin connector -T6ak-



1 Conn. View: Component w/ Prefix F

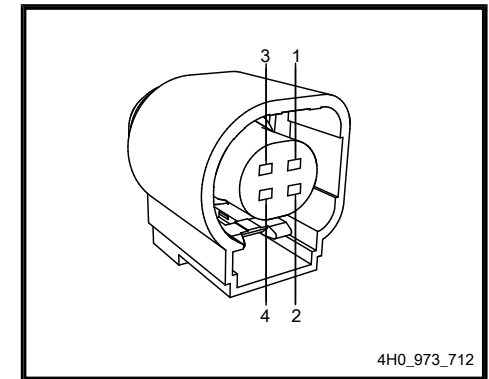
- ◆ ⇒ [“1.1 Brake lamp switch F”, page 1](#)
- ◆ ⇒ [“1.2 Brake fluid level warning switch F34”, page 1](#)
- ◆ ⇒ [“1.3 Multifunction transmission range switch F125”, page 2](#)
- ◆ ⇒ [“1.4 Driver vanity mirror lamp contact switch F147”, page 3](#)
- ◆ ⇒ [“1.5 Front passenger vanity mirror lamp contact switch F148”, page 3](#)
- ◆ ⇒ [“1.6 Oil pressure switch F1”, page 4](#)
- ◆ ⇒ [“1.7 Hood contact switch F387”, page 4](#)

1.1 Brake lamp switch -F-

- ◆ ⇒ [“1.1.1 4-pin connector T4bq”, page 1](#)

1.1.1 4-pin connector -T4bq-

4-pin connector -T4bq-



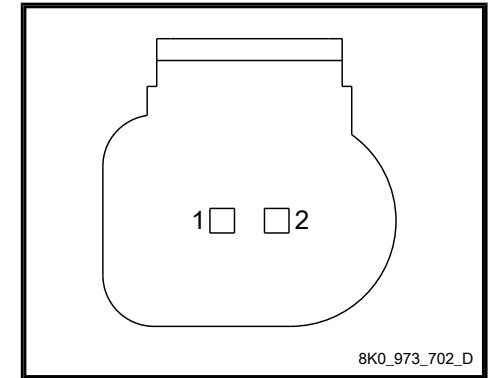
Cavity	Function	Cavity	Function
1	Signal (+)	3	Signal (+)
2	Ground (31)	4	Power (30)

1.2 Brake fluid level warning switch -F34-

- ◆ ⇒ [“1.2.1 2-pin connector T2eb”, page 2](#)

**1.2.1 2-pin connector -T2eb-**

2-pin connector -T2eb-



8K0\_973\_702\_D

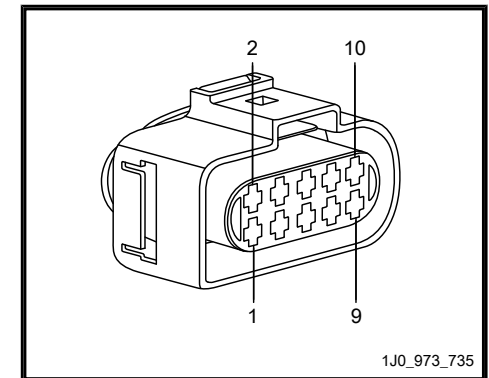
Cavity	Function	Cavity	Function
1	Ground (31)	2	Power

**1.3 Multifunction transmission range switch -F125-**

◆ ⇒ ["1.3.1 10-pin connector T10w", page 2](#)

**1.3.1 10-pin connector -T10w-**

10-pin connector -T10w-



1J0\_973\_735

Cavity	Function	Cavity	Function
1	Signal A	6	...
2	Signal I(+) ST	7	Signal B
3	Ground (31)	8	Signal (-) R
4	Ground (31) ST	9	Signal C

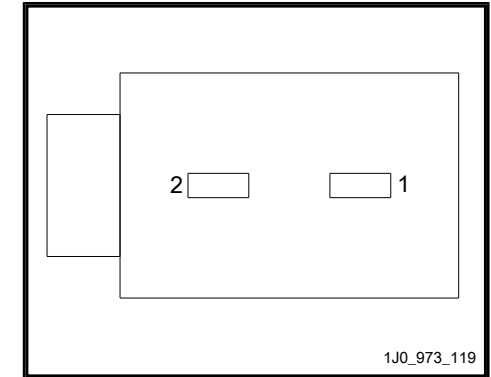
5	Signal PA	10	Power (15)
---	-----------	----	------------

**1.4 Driver vanity mirror lamp contact switch -F147-**

◆ ⇒ ["1.4.1 2-pin connector T2ap", page 3](#)

**1.4.1 2-pin connector -T2ap-**

2-pin connector -T2ap-



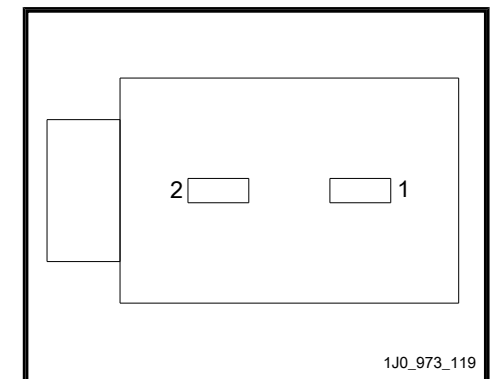
Cavity	Function	Cavity	Function
1	Ground (31)	2	Power

**1.5 Front passenger vanity mirror lamp contact switch -F148-**

◆ ⇒ ["1.5.1 2-pin connector T2au", page 3](#)

**1.5.1 2-pin connector -T2au-**

2-pin connector -T2au-





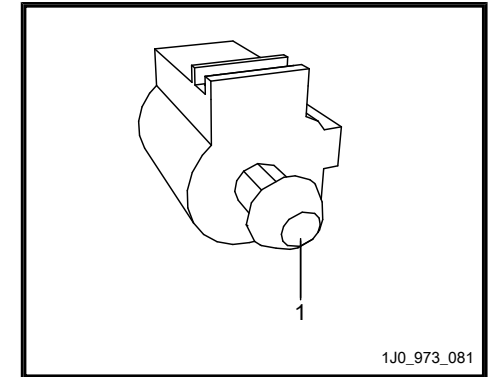
Cavity	Function	Cavity	Function
1	Ground (31)	2	Power

**1.6 Oil pressure switch -F1-**

◆ ⇒ ["1.6.1 1-pin connector T1kt", page 4](#)

**1.6.1 1-pin connector -T1kt-**

1-pin connector -T1kt-

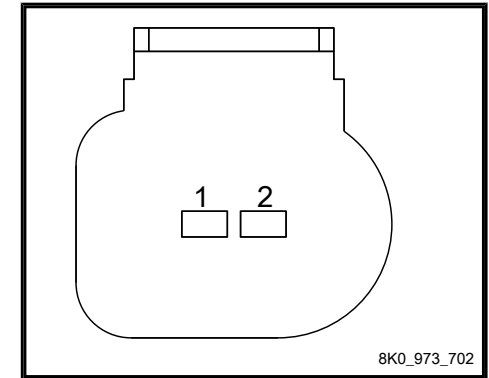


Cavity	Function
1	Signal (+)

**1.7 Hood contact switch -F387-**

◆ ⇒ ["1.7.1 2-pin connector T2es", page 5](#)

1.7.1 2-pin connector -T2es-  
2-pin connector -T2es-



Cavity	Function	Cavity	Function
1	Power	2	Ground (31)

## 1 Conn. View: Component w/ Prefix G

- ◆ ⇒ [“1.1 Outside air temperature sensor G17 ”, page 3](#)
- ◆ ⇒ [“1.2 Engine speed sensor G28 ”, page 3](#)
- ◆ ⇒ [“1.3 Engine coolant level sensor G32 ”, page 4](#)
- ◆ ⇒ [“1.4 Windshield washer fluid level sensor G33 ”, page 5](#)
- ◆ ⇒ [“1.5 Camshaft position sensor G40 ”, page 5](#)
- ◆ ⇒ [“1.6 Right rear ABS wheel speed sensor G44 ”, page 6](#)
- ◆ ⇒ [“1.7 Right front ABS wheel speed sensor G45 ”, page 6](#)
- ◆ ⇒ [“1.8 Left rear ABS wheel speed sensor G46 ”, page 7](#)
- ◆ ⇒ [“1.9 Left front ABS wheel speed sensor G47 ”, page 7](#)
- ◆ ⇒ [“1.10 Knock sensor 1 G61 ”, page 8](#)
- ◆ ⇒ [“1.11 Engine coolant temperature sensor G62 ”, page 9](#)
- ◆ ⇒ [“1.12 Knock sensor 2 G66 ”, page 9](#)
- ◆ ⇒ [“1.13 Mass airflow sensor G70 ”, page 10](#)
- ◆ ⇒ [“1.14 Left rear level control system sensor G76 ”, page 10](#)
- ◆ ⇒ [“1.15 Engine coolant temperature sensor G83 ”, page 11](#)
- ◆ ⇒ [“1.16 Front passenger seat occupant detection sensor G128 ”, page 11](#)
- ◆ ⇒ [“1.17 Left vent temperature sensor G150 ”, page 12](#)
- ◆ ⇒ [“1.18 Right vent temperature sensor G151 ”, page 13](#)
- ◆ ⇒ [“1.20 Rear vent temperature sensor G174 ”, page 14](#)
- ◆ ⇒ [“1.21 Driver thorax airbag crash sensor G179 ”, page 14](#)
- ◆ ⇒ [“1.22 Front passenger thorax airbag crash sensor G180 ”, page 15](#)
- ◆ ⇒ [“1.23 Footwell vent temperature sensor G192 ”, page 16](#)
- ◆ ⇒ [“1.24 Left rear parking aid sensor G203 ”, page 16](#)
- ◆ ⇒ [“1.25 Left rear center parking aid sensor G204 ”, page 17](#)
- ◆ ⇒ [“1.26 Right rear center parking aid sensor G205 ”, page 17](#)

- ◆ ⇒ [“1.27 Right rear parking aid sensor G206 ”, page 18](#)
- ◆ ⇒ [“1.28 Fuel pressure sensor G247 ”, page 19](#)
- ◆ ⇒ [“1.29 Right front parking aid sensor G252 ”, page 19](#)
- ◆ ⇒ [“1.30 Right front center parking aid sensor G253 ”, page 20](#)
- ◆ ⇒ [“1.31 Left front center parking aid sensor G254 ”, page 20](#)
- ◆ ⇒ [“1.32 Left front parking aid sensor G255 ”, page 21](#)
- ◆ ⇒ [“1.33 Oil level thermal sensor G266 ”, page 22](#)
- ◆ ⇒ [“1.34 Driver front airbag crash sensor G283 ”, page 22](#)
- ◆ ⇒ [“1.35 Passenger side front airbag crash sensor G284 ”, page 23](#)
- ◆ ⇒ [“1.36 Brake booster pressure sensor G294 ”, page 23](#)
- ◆ ⇒ [“1.19 Camshaft position sensor 3 G300 ”, page 13](#)
- ◆ ⇒ [“1.37 Evaporator temperature sensor G308 ”, page 24](#)
- ◆ ⇒ [“1.38 Rain/light recognition sensor G397 ”, page 24](#)
- ◆ ⇒ [“1.39 Motor temperature sensor G407 ”, page 25](#)
- ◆ ⇒ [“1.40 Low fuel pressure sensor G410 ”, page 26](#)
- ◆ ⇒ [“1.41 Electric trailer brake position sensor G508 ”, page 26](#)
- ◆ ⇒ [“1.42 Left front parallel parking assistance sensor G568 ”, page 27](#)
- ◆ ⇒ [“1.43 Right front parallel parking assistance sensor G569 ”, page 27](#)
- ◆ ⇒ [“1.44 Anti-theft alarm system sensor G578 ”, page 28](#)
- ◆ ⇒ [“1.45 Left front exterior door handle touch sensor G605 ”, page 29](#)
- ◆ ⇒ [“1.46 Right front exterior door handle touch sensor G606 ”, page 29](#)
- ◆ ⇒ [“1.47 Left rear parallel parking assistance sensor G716 ”, page 30](#)
- ◆ ⇒ [“1.48 Right rear parallel parking assistance sensor G717 ”, page 30](#)
- ◆ ⇒ [“1.49 Refrigerant circuit pressure sensor G805 ”, page 31](#)
- ◆ ⇒ [“1.50 Fuel delivery unit GX1 ”, page 32](#)
- ◆ ⇒ [“1.51 Accelerator pedal module GX2 ”, page 32](#)

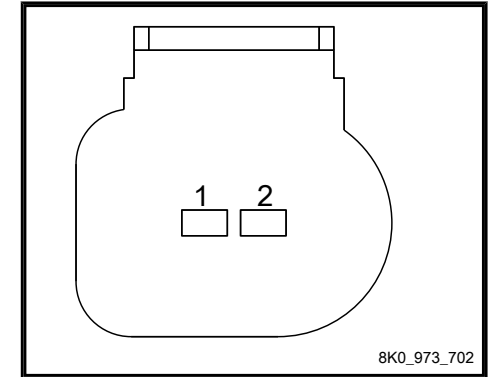
- ◆ ⇒ [“1.52 Throttle valve control module GX3 ”, page 33](#)
- ◆ ⇒ [“1.53 Oxygen sensor 1 after catalytic converter GX7 ”, page 33](#)
- ◆ ⇒ [“1.54 Oxygen sensor 2 after catalytic converter GX8 ”, page 34](#)
- ◆ ⇒ [“1.55 Oxygen sensor 1 before catalytic converter GX10 ”, page 35](#)
- ◆ ⇒ [“1.56 Oxygen sensor 2 before catalytic converter GX11 ”, page 35](#)

**1.1 Outside air temperature sensor -G17-**

- ◆ ⇒ [“1.1.1 2-pin connector T2eh ”, page 3](#)

**1.1.1 2-pin connector -T2eh-**

2-pin connector -T2eh-



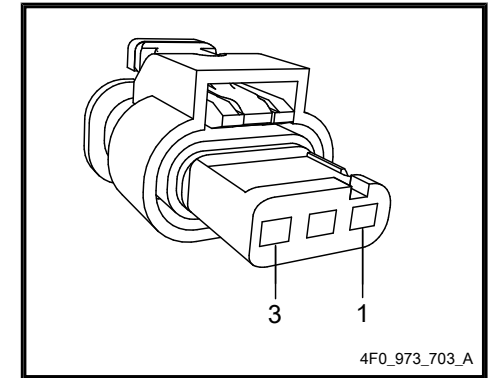
Cavity	Function	Cavity	Function
1	Ground (31)	2	Signal (+)

**1.2 Engine speed sensor -G28-**

- ◆ ⇒ [“1.2.1 3-pin connector T3ap ”, page 4](#)

**1.2.1 3-pin connector -T3ap-**

3-pin connector -T3ap-



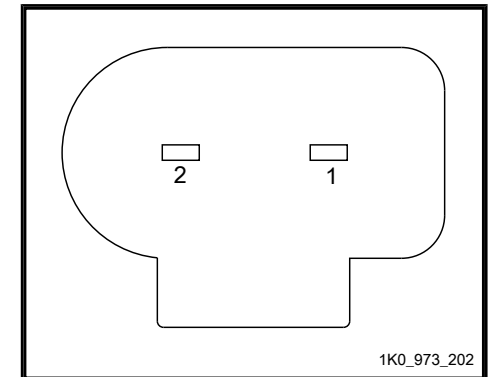
Cavity	Function	Cavity	Function
1	Power (+5V)	3	Ground
2	Signal Monitor		

**1.3 Engine coolant level sensor -G32-**

◆ ⇒ ["1.3.1 2-pin connector T2ep", page 4](#)

**1.3.1 2-pin connector -T2ep-**

2-pin connector -T2ep-



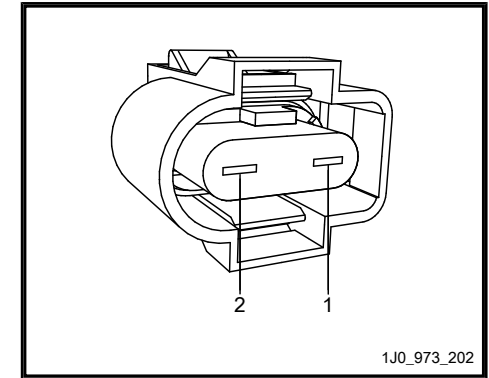
Cavity	Function	Cavity	Function
1	Signal (+)	2	Ground (31)

1.4 Windshield washer fluid level sensor -G33-

◆ ⇒ [“1.4.1 2-pin connector T2ej”, page 5](#)

1.4.1 2-pin connector -T2ej-

2-pin connector -T2ej-



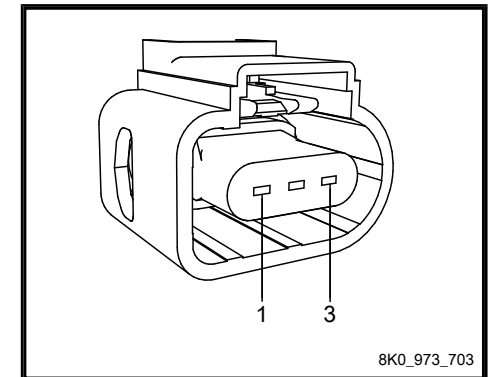
Cavity	Function	Cavity	Function
1	Ground (31)	2	Signal (+)

1.5 Camshaft position sensor -G40-

◆ ⇒ [“1.5.1 3-pin connector T3au”, page 5](#)

1.5.1 3-pin connector -T3au-

3-pin connector -T3au-



Cavity	Function	Cavity	Function
1	Power (+5V)	3	Ground

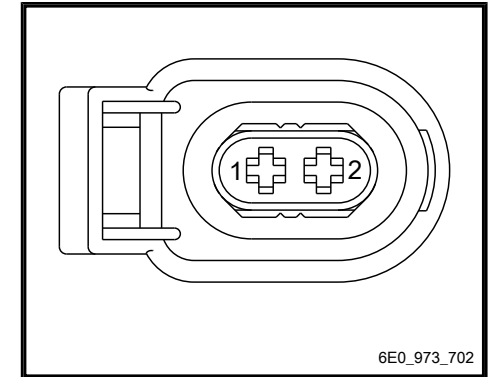
2	Signal Monitor		
---	----------------	--	--

**1.6 Right rear ABS wheel speed sensor -G44-**

◆ ⇒ ["1.6.1 2-pin connector T2dj", page 6](#)

**1.6.1 2-pin connector -T2dj-**

2-pin connector -T2dj-



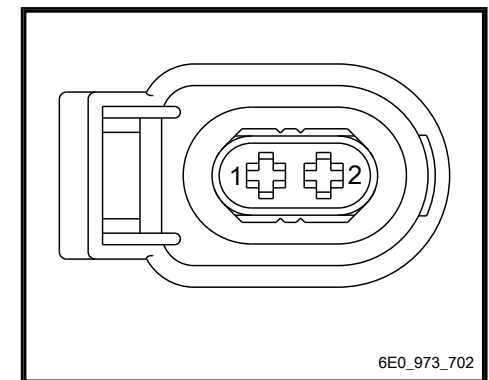
Cavity	Function	Cavity	Function
1	Signal (+)	2	Ground (31)

**1.7 Right front ABS wheel speed sensor -G45-**

◆ ⇒ ["1.7.1 2-pin connector T2fb", page 6](#)

**1.7.1 2-pin connector -T2fb-**

2-pin connector -T2fb-





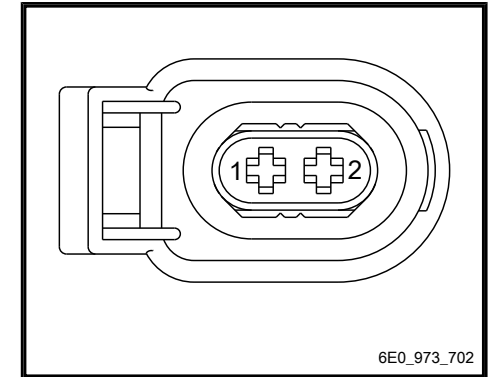
Cavity	Function	Cavity	Function
1	Signal (+)	2	Ground (31)

**1.8 Left rear ABS wheel speed sensor -G46-**

◆ ⇒ ["1.8.1 2-pin connector T2dg", page 7](#)

**1.8.1 2-pin connector -T2dg-**

2-pin connector -T2dg-



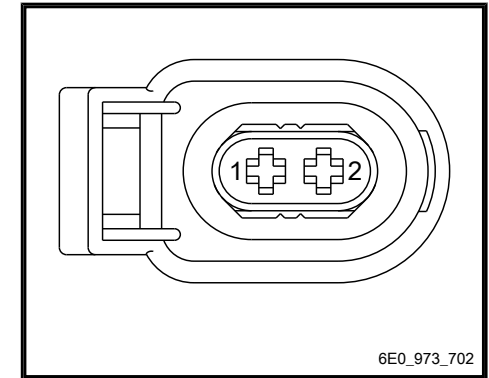
Cavity	Function	Cavity	Function
1	Ground	2	Signal (+)

**1.9 Left front ABS wheel speed sensor -G47-**

◆ ⇒ ["1.9.1 2-pin connector T2fe", page 8](#)

1.9.1 2-pin connector -T2fe-

2-pin connector -T2fe-



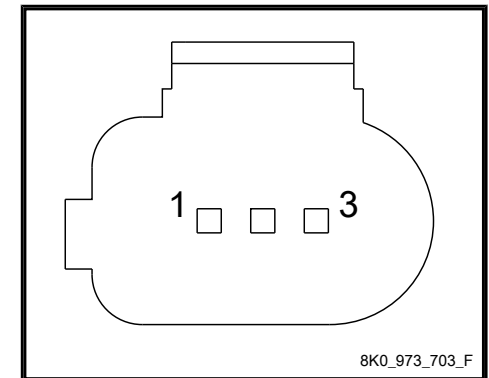
Cavity	Function	Cavity	Function
1	Ground	2	Signal (+)

1.10 Knock sensor 1 -G61-

◆ ⇒ ["1.10.1 3-pin connector T3as", page 8](#)

1.10.1 3-pin connector -T3as-

3-pin connector -T3as-



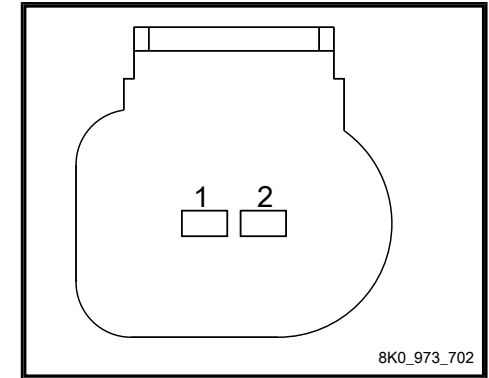
Cavity	Function	Cavity	Function
1	Signal Output	3	Shield
2	Ground		

1.11 Engine coolant temperature sensor -G62-

◆ ⇒ ["1.11.1 2-pin connector T2fg", page 9](#)

1.11.1 2-pin connector -T2fg-

2-pin connector -T2fg-



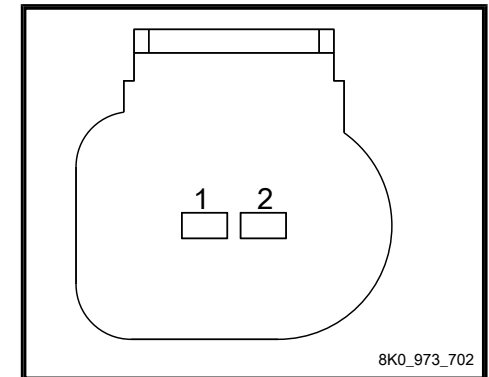
Cavity	Function	Cavity	Function
1	Signal (+)	2	Ground

1.12 Knock sensor 2 -G66-

◆ ⇒ ["1.12.1 2-pin connector T2fo", page 9](#)

1.12.1 2-pin connector -T2fo-

2-pin connector -T2fo-



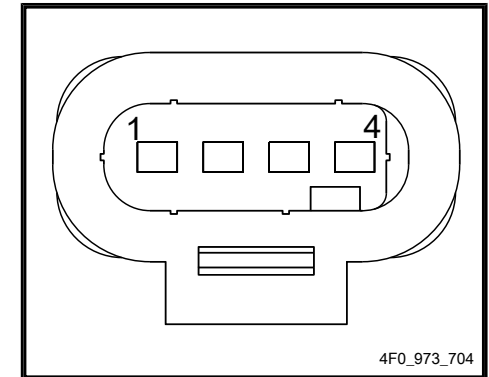
Cavity	Function	Cavity	Function
1	Signal Output	2	Ground

1.13 Mass airflow sensor -G70-

◆ ⇒ [“1.13.1 4-pin connector T4bs”, page 10](#)

1.13.1 4-pin connector -T4bs-

4-pin connector -T4bs-



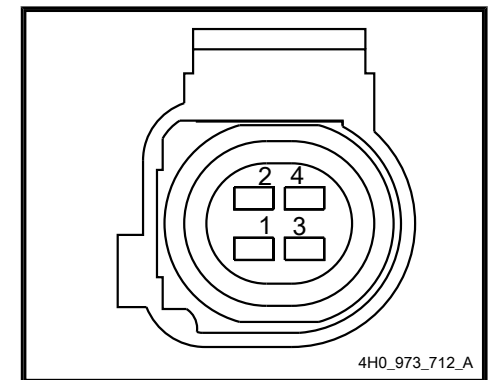
Cavity	Function	Cavity	Function
1	Signal Output	3	Ground (MAF)
2	Power (+5V)	4	Ground (IAT)

1.14 Left rear level control system sensor -G76-

◆ ⇒ [“1.14.1 4-pin connector T4bd”, page 10](#)

1.14.1 4-pin connector -T4bd-

4-pin connector -T4bd-



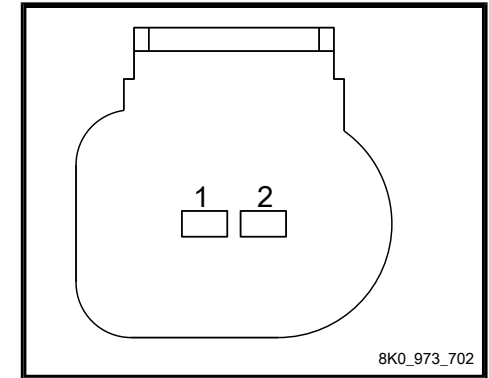
Cavity	Function	Cavity	Function
1	TBD	3	TBD
2	TBD	4	TBD

**1.15 Engine coolant temperature sensor -G83-**

◆ ⇒ ["1.15.1 2-pin connector T2eq", page 11](#)

**1.15.1 2-pin connector -T2eq-**

2-pin connector -T2eq-



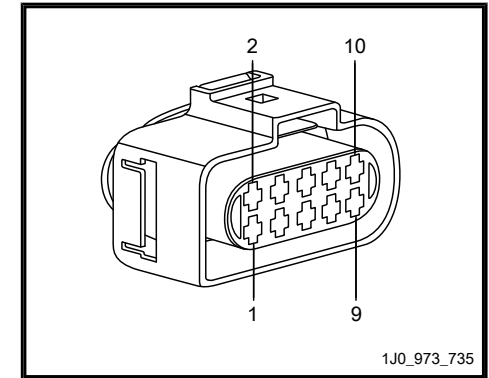
Cavity	Function	Cavity	Function
1	Ground	2	Signal (+)

**1.16 Front passenger seat occupant detection sensor -G128-**

◆ ⇒ ["1.16.1 10-pin connector T10ac", page 12](#)

**1.16.1 10-pin connector -T10ac-**

10-pin connector -T10ac-



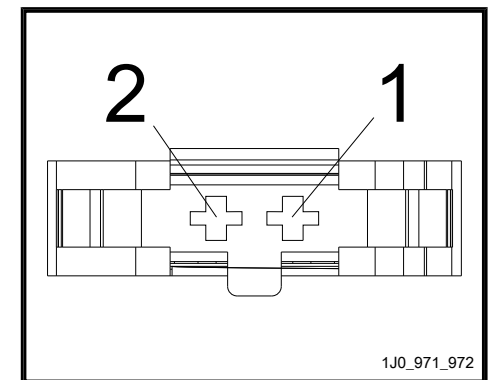
Cavity	Function	Cavity	Function
1	...	6	Ground
2	Shield	7	LIN Bus
3	Ground (31)	8	Signal (+) RF seat heater
4	Ground (31)	9	Power (15a)
5	...	10	Signal (+) RF backrest heater

**1.17 Left vent temperature sensor -G150-**

◆ ⇒ ["1.17.1 2-pin connector T2bk", page 12](#)

**1.17.1 2-pin connector -T2bk-**

2-pin connector -T2bk-



Cavity	Function	Cavity	Function

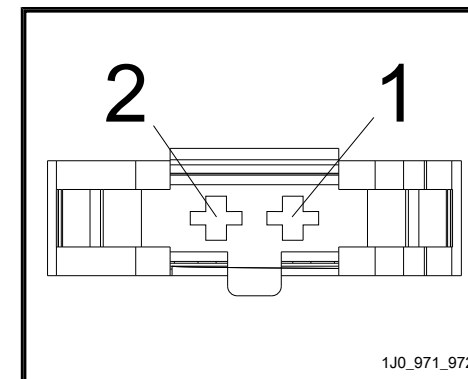
1	Ground	2	Signal (+)
---	--------	---	------------

1.18 Right vent temperature sensor -G151-

◆ ⇒ ["1.18.1 2-pin connector T2bx", page 13](#)

1.18.1 2-pin connector -T2bx-

2-pin connector -T2bx-



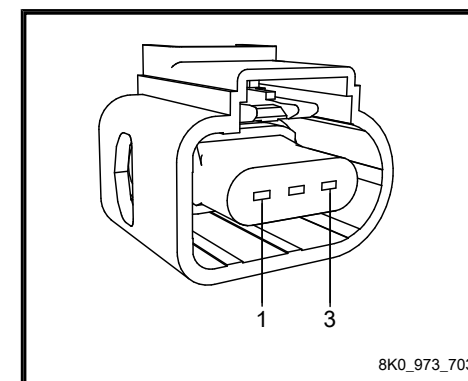
Cavity	Function	Cavity	Function
1	Ground	2	Signal (+)

1.19 Camshaft position sensor 3 -G300-

◆ ⇒ ["1.19.1 3-pin connector T3ar", page 13](#)

1.19.1 3-pin connector -T3ar-

3-pin connector -T3ar-



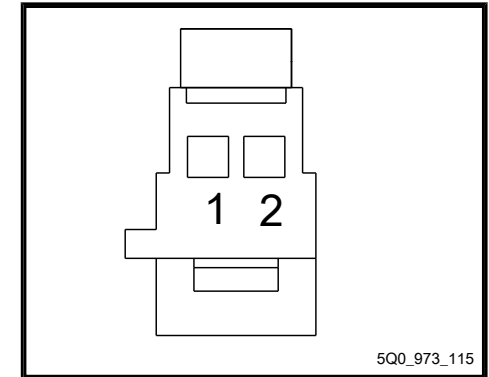
Cavity	Function	Cavity	Function
1	Power (+5V)	3	Ground
2	Signal Monitor		

**1.20 Rear vent temperature sensor -G174-**

◆ ⇒ [“1.20.1 2-pin connector T2gq”, page 14](#)

**1.20.1 2-pin connector -T2gq-**

2-pin connector -T2gq-



Cavity	Function	Cavity	Function
1	Ground	2	Signal (+)

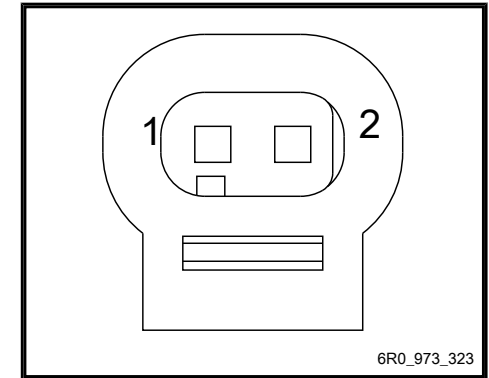
**1.21 Driver thorax airbag crash sensor -G179-**

◆ ⇒ [“1.21.1 2-pin connector T2m”, page 15](#)



1.21.1 2-pin connector -T2m-

2-pin connector -T2m-



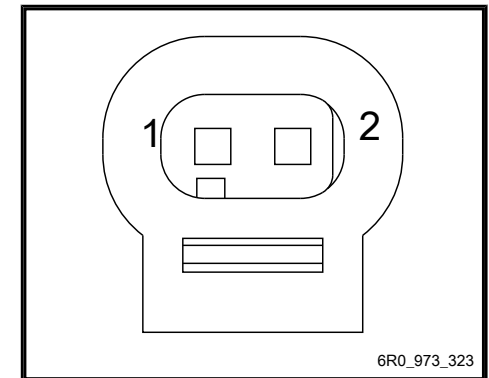
Cavity	Function	Cavity	Function
1	Signal (+)	2	Signal (-)

1.22 Front passenger thorax airbag crash sensor -G180-

◆ ⇒ ["1.22.1 2-pin connector T2r", page 15](#)

1.22.1 2-pin connector -T2r-

2-pin connector -T2r-



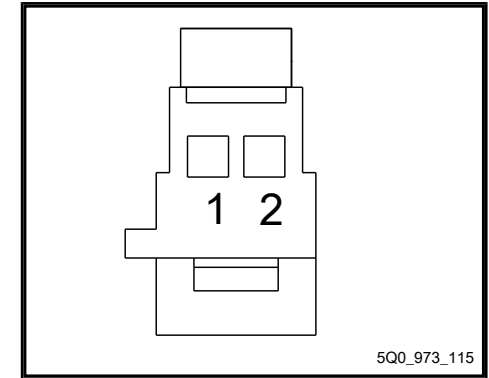
Cavity	Function	Cavity	Function
1	Signal (+)	2	Signal (-)

1.23 Footwell vent temperature sensor -G192-

◆ ⇒ [“1.23.1 2-pin connector T2fz”, page 16](#)

1.23.1 2-pin connector -T2fz-

2-pin connector -T2fz-



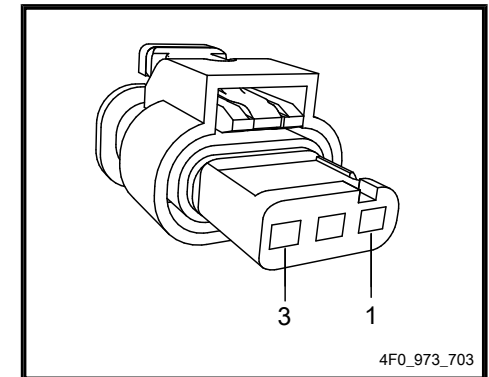
Cavity	Function	Cavity	Function
1	Ground	2	Signal (+)

1.24 Left rear parking aid sensor -G203-

◆ ⇒ [“1.24.1 3-pin connector T3m”, page 16](#)

1.24.1 3-pin connector -T3m-

3-pin connector -T3m-



Cavity	Function	Cavity	Function
1	Power	3	Ground

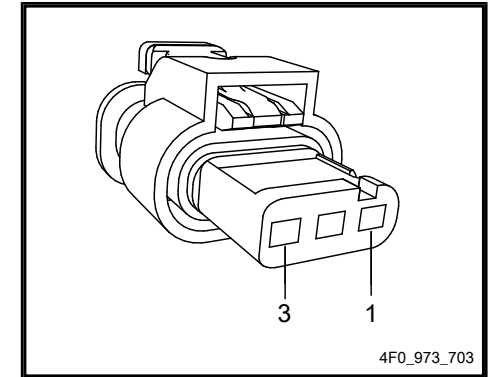
2	Signal Monitor		
---	----------------	--	--

**1.25 Left rear center parking aid sensor -G204-**

◆ ⇒ ["1.25.1 3-pin connector T3n", page 17](#)

**1.25.1 3-pin connector -T3n-**

3-pin connector -T3n-



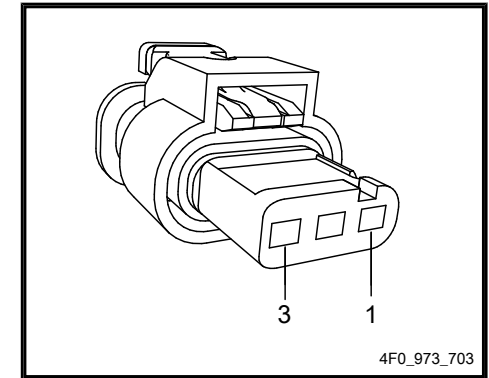
Cavity	Function	Cavity	Function
1	Power	3	Ground
2	Signal Monitor		

**1.26 Right rear center parking aid sensor -G205-**

◆ ⇒ ["1.26.1 3-pin connector T3o", page 18](#)

**1.26.1 3-pin connector -T3o-**

3-pin connector -T3o-



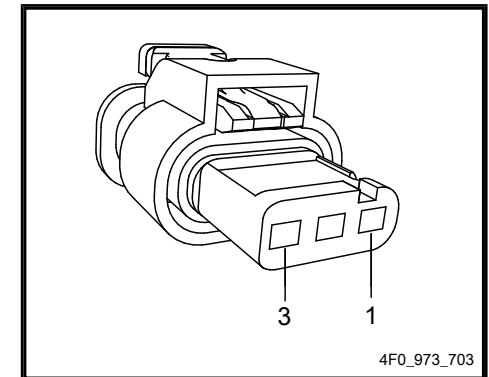
Cavity	Function	Cavity	Function
1	Power	3	Ground
2	Signal Monitor		

**1.27 Right rear parking aid sensor -G206-**

◆ ⇒ ["1.27.1 3-pin connector T3p", page 18](#)

**1.27.1 3-pin connector -T3p-**

3-pin connector -T3p-



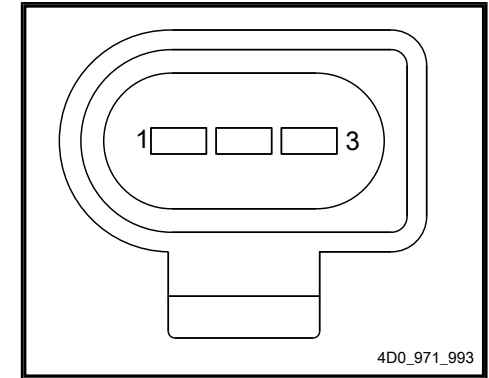
Cavity	Function	Cavity	Function
1	Power	3	Ground
2	Signal Monitor		

1.28 Fuel pressure sensor -G247-

◆ ⇒ ["1.28.1 3-pin connector T3ao", page 19](#)

1.28.1 3-pin connector -T3ao-

3-pin connector -T3ao-



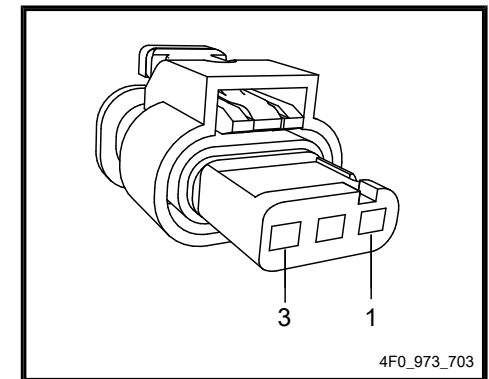
Cavity	Function	Cavity	Function
1	Ground	3	Power (+5V)
2	Signal Monitor		

1.29 Right front parking aid sensor -G252-

◆ ⇒ ["1.29.1 3-pin connector T3d", page 19](#)

1.29.1 3-pin connector -T3d-

3-pin connector -T3d-



Cavity	Function	Cavity	Function
1	Power	3	Ground

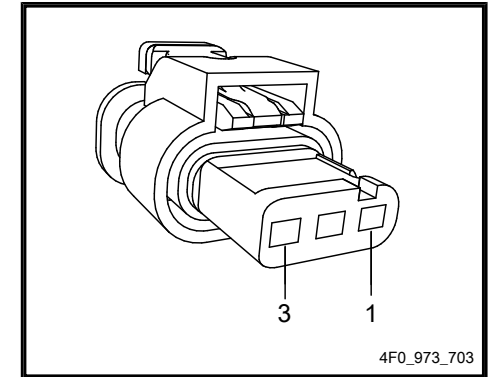
2	Signal Monitor		
---	----------------	--	--

**1.30 Right front center parking aid sensor -G253-**

◆ ⇒ ["1.30.1 3-pin connector T3c ", page 20](#)

**1.30.1 3-pin connector -T3c-**

3-pin connector -T3c-



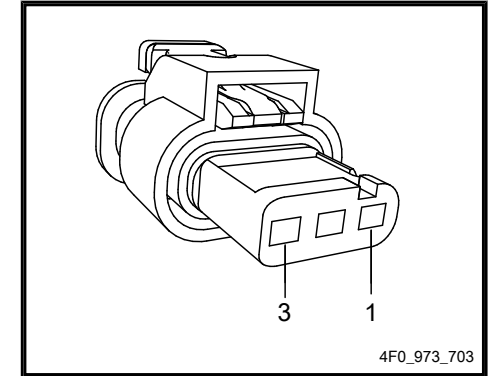
Cavity	Function	Cavity	Function
1	Power	3	Ground
2	Signal Monitor		

**1.31 Left front center parking aid sensor -G254-**

◆ ⇒ ["1.31.1 3-pin connector T3a ", page 21](#)

**1.31.1 3-pin connector -T3a-**

3-pin connector -T3a-



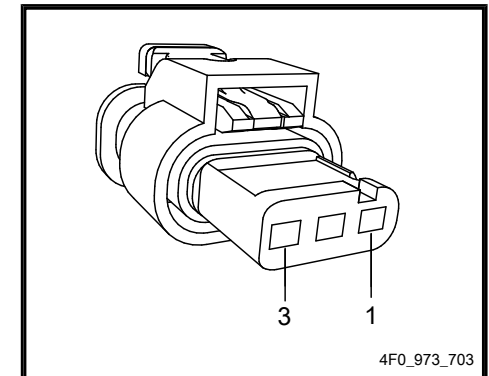
Cavity	Function	Cavity	Function
1	Power	3	Ground
2	Signal Monitor		

**1.32 Left front parking aid sensor -G255-**

◆ ⇒ ["1.32.1 3-pin connector T3b ", page 21](#)

**1.32.1 3-pin connector -T3b-**

3-pin connector -T3b-



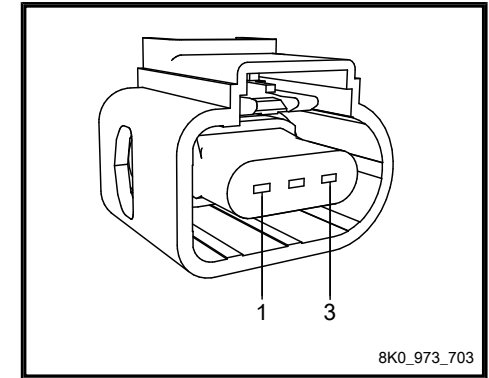
Cavity	Function	Cavity	Function
1	Power	3	Ground
2	Signal Monitor		

**1.33 Oil level thermal sensor -G266-**

◆ ⇒ ["1.33.1 3-pin connector T3v", page 22](#)

**1.33.1 3-pin connector -T3v-**

3-pin connector -T3v-



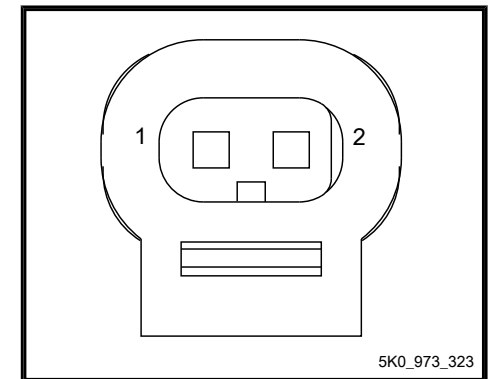
Cavity	Function	Cavity	Function
1	Power (87a)	3	Signal Monitor
2	Ground (31)		

**1.34 Driver front airbag crash sensor -G283-**

◆ ⇒ ["1.34.1 2-pin connector T2eg", page 22](#)

**1.34.1 2-pin connector -T2eg-**

2-pin connector -T2eg-



Cavity	Function	Cavity	Function



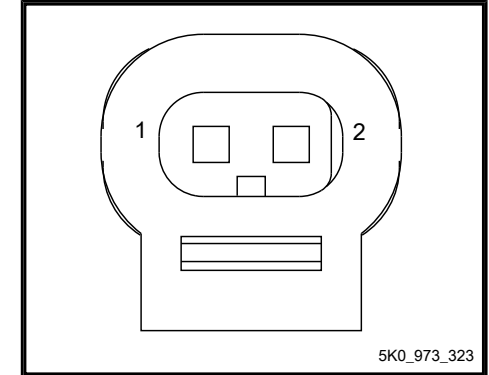
1	Signal (+)	2	Signal (-)
---	------------	---	------------

1.35 Passenger side front airbag crash sensor -G284-

◆ ⇒ ["1.35.1 2-pin connector T2et", page 23](#)

1.35.1 2-pin connector -T2et-

2-pin connector -T2et-



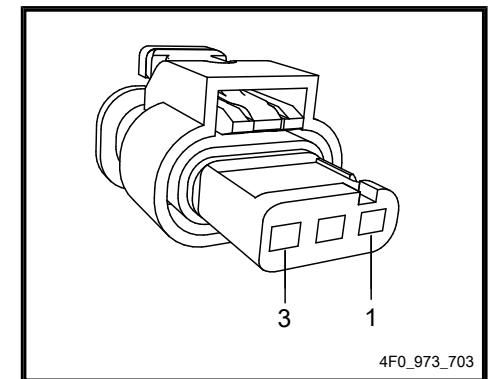
Cavity	Function	Cavity	Function
1	Signal (+)	2	Signal (-)

1.36 Brake booster pressure sensor -G294-

◆ ⇒ ["1.36.1 3-pin connector T3aj", page 23](#)

1.36.1 3-pin connector -T3aj-

3-pin connector -T3aj-



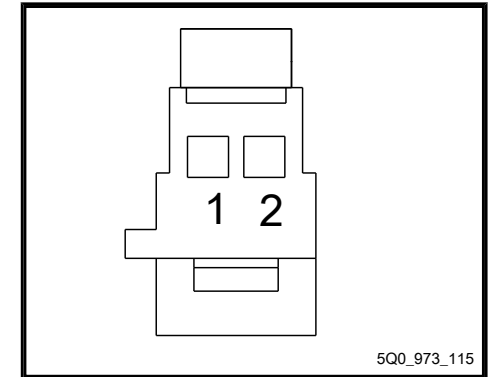
Cavity	Function	Cavity	Function
1	Power (+5V)	3	Signal Monitor
2	Ground		

**1.37 Evaporator temperature sensor -G308-**

◆ ⇒ ["1.37.1 2-pin connector T2fy", page 24](#)

**1.37.1 2-pin connector -T2fy-**

2-pin connector -T2fy-



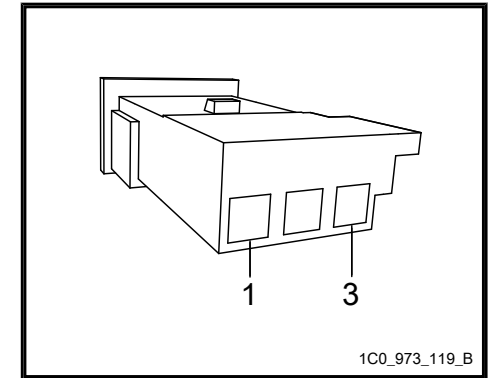
Cavity	Function	Cavity	Function
1	Signal (-)	2	Signal (+)

**1.38 Rain/light recognition sensor -G397-**

◆ ⇒ ["1.38.1 3-pin connector T3w", page 25](#)

1.38.1 3-pin connector -T3w-

3-pin connector -T3w-



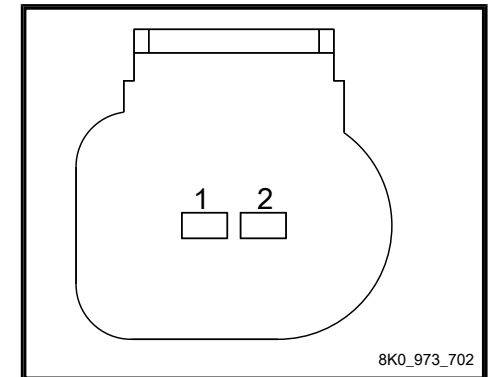
Cavity	Function	Cavity	Function
1	Power (30a)	3	Signal Monitor
2	Ground (31)		

1.39 Motor temperature sensor -G407-

◆ ⇒ ["1.39.1 2-pin connector T2fp", page 25](#)

1.39.1 2-pin connector -T2fp-

2-pin connector -T2fp-



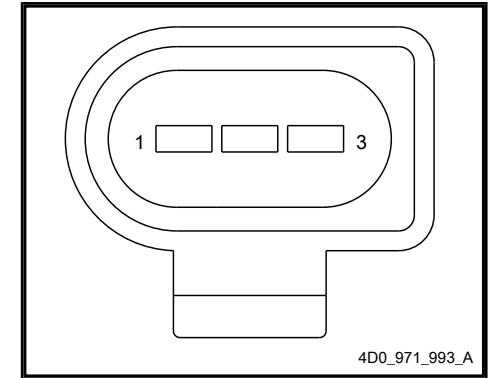
Cavity	Function	Cavity	Function
1	Signal (+)	2	Signal (-)

1.40 Low fuel pressure sensor -G410-

◆ ⇒ ["1.40.1 3-pin connector T3at", page 26](#)

1.40.1 3-pin connector -T3at-

3-pin connector -T3at-



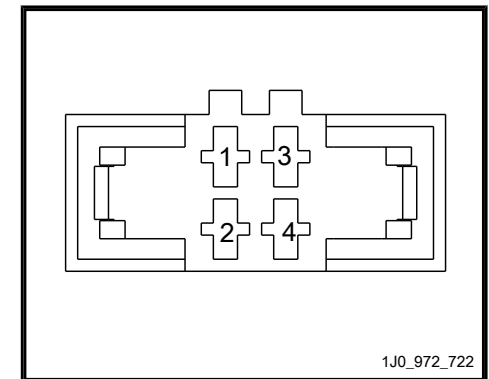
Cavity	Function	Cavity	Function
1	Power (+5V)	3	Signal Monitor
2	Ground		

1.41 Electric trailer brake position sensor -G508-

◆ ⇒ ["1.41.1 4-pin connector T4at", page 26](#)

1.41.1 4-pin connector -T4at-

4-pin connector -T4at-



Cavity	Function	Cavity	Function
1	Ground (31)	3	Signal (+) Brake light

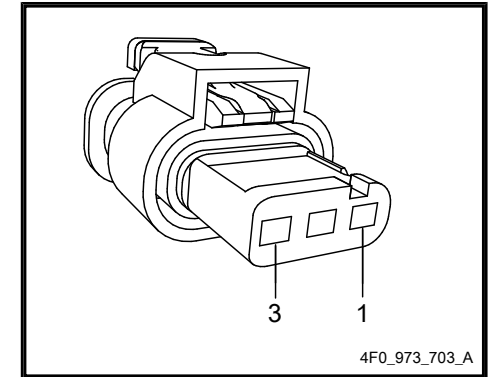
2	Power (30)	4	Signal (+) Trailer socket
---	------------	---	---------------------------

**1.42 Left front parallel parking assistance sensor -G568-**

◆ ⇒ ["1.42.1 3-pin connector T3e", page 27](#)

**1.42.1 3-pin connector -T3e-**

3-pin connector -T3e-



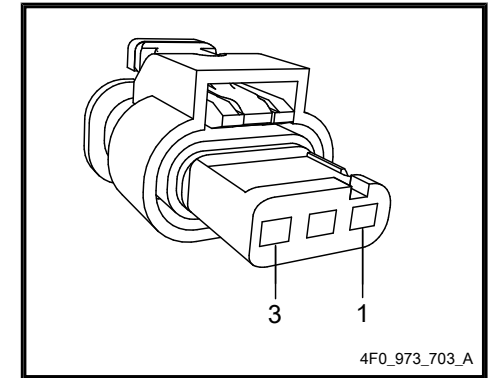
Cavity	Function	Cavity	Function
1	Power	3	Ground
2	Signal Monitor		

**1.43 Right front parallel parking assistance sensor -G569-**

◆ ⇒ ["1.43.1 3-pin connector T3f", page 28](#)

1.43.1 3-pin connector -T3f-

3-pin connector -T3f-



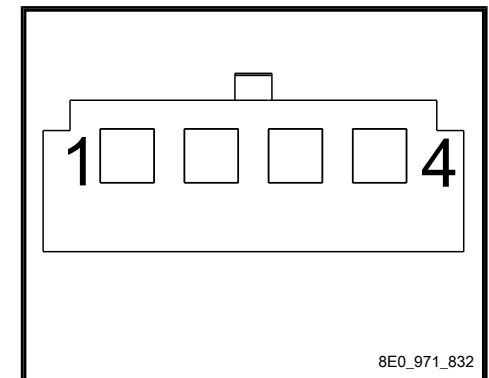
Cavity	Function	Cavity	Function
1	Power	3	Ground
2	Signal Monitor		

1.44 Anti-theft alarm system sensor -G578-

◆ => "1.44.1 4-pin connector T4bz", page 28

1.44.1 4-pin connector -T4bz-

4-pin connector -T4bz-



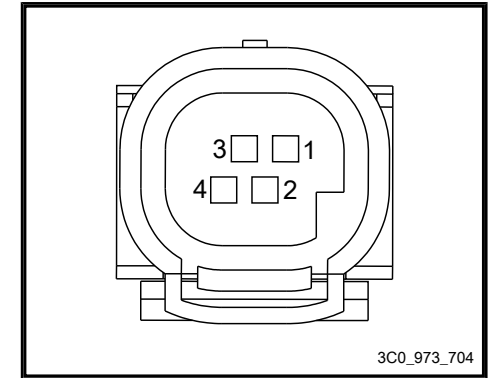
Cavity	Function	Cavity	Function
1	...	3	LIN bus
2	...	4	...

1.45 Left front exterior door handle touch sensor -G605-

◆ ⇒ ["1.45.1 4-pin connector T4y", page 29](#)

1.45.1 4-pin connector -T4y-

4-pin connector -T4y-



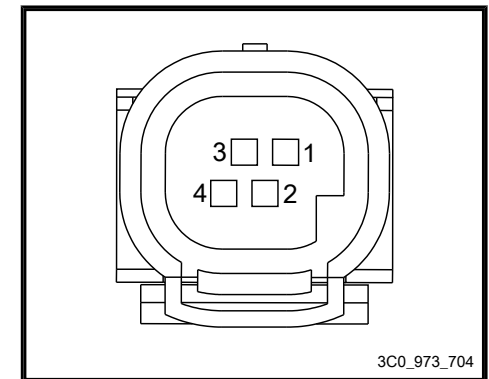
Cavity	Function	Cavity	Function
1	Signal (-) LF Door handle	3	Signal (+) LF Proximity sensor
2	Ground	4	Signal (+) LF Door handle

1.46 Right front exterior door handle touch sensor -G606-

◆ ⇒ ["1.46.1 4-pin connector T4w", page 29](#)

1.46.1 4-pin connector -T4w-

4-pin connector -T4w-



Cavity	Function	Cavity	Function
1	Signal (-) RF Door handle	3	Signal (+) RF Proximity sensor

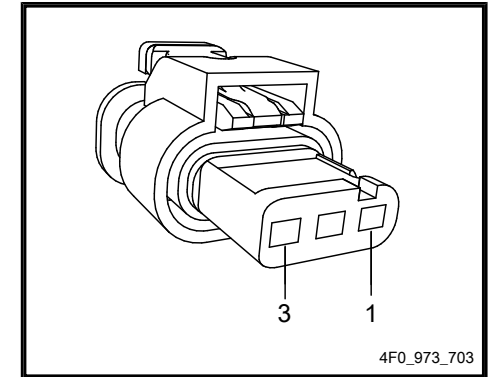
2	Ground	4	Signal (+) RF Door handle
---	--------	---	---------------------------

1.47 Left rear parallel parking assistance sensor -G716-

◆ ⇒ ["1.47.1 3-pin connector T3r", page 30](#)

1.47.1 3-pin connector -T3r-

3-pin connector -T3r-



Cavity	Function	Cavity	Function
1	Power	3	Ground
2	Signal Monitor		

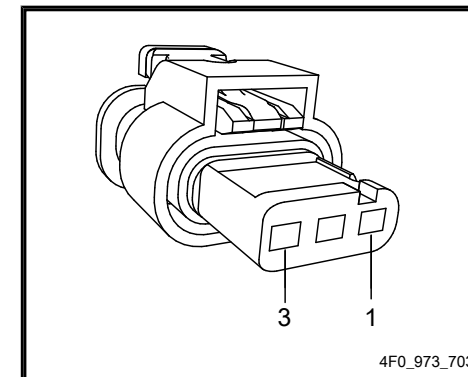
1.48 Right rear parallel parking assistance sensor -G717-

◆ ⇒ ["1.48.1 3-pin connector T3q", page 31](#)



1.48.1 3-pin connector -T3q-

3-pin connector -T3q-



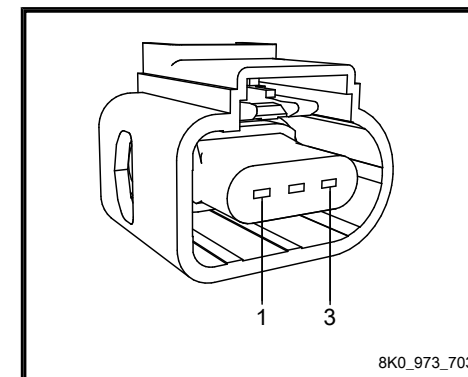
Cavity	Function	Cavity	Function
1	Power	3	Ground
2	Signal Monitor		

1.49 Refrigerant circuit pressure sensor -G805-

◆ ⇒ ["1.49.1 3-pin connector T3ak", page 31](#)

1.49.1 3-pin connector -T3ak-

3-pin connector -T3ak-



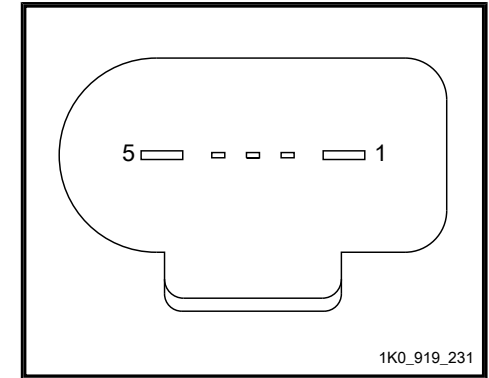
Cavity	Function	Cavity	Function
1	Ground (31)	3	Power (15a)
2	LIN Bus		

**1.50 Fuel delivery unit -GX1-**

◆ ⇒ [“1.50.1 5-pin connector T5g”, page 32](#)

**1.50.1 5-pin connector -T5g-**

5-pin connector -T5g-



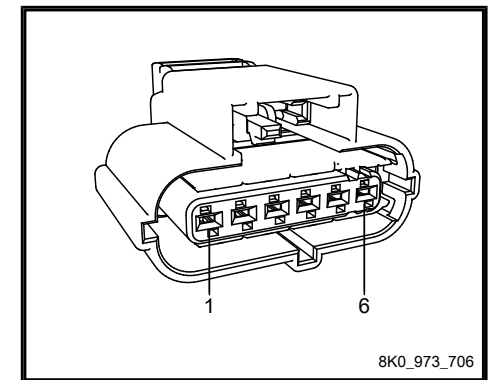
Cavity	Function	Cavity	Function
1	Signal (+) Transfer pump	4	Ground (31)
2	Signal (+) Full	5	Signal (-) Transfer pump
3	Signal (+) Empty		

**1.51 Accelerator pedal module -GX2-**

◆ ⇒ [“1.51.1 6-pin connector T6v”, page 32](#)

**1.51.1 6-pin connector -T6v-**

6-pin connector -T6v-



Cavity	Function	Cavity	Function

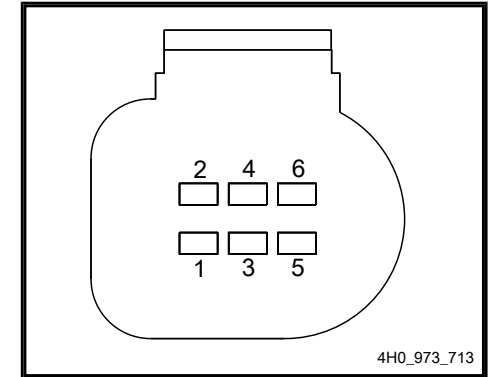
1	Signal output (Pedal value transmitter Signal 2)	4	Signal output (Pedal value transmitter Signal 1)
2	Power (+5V) (Sensor 1)	5	Power (+5V) (Sensor 2)
3	Ground (Pedal value transmitter Signal 1)	6	Ground (Pedal value transmitter Signal 2)

**1.52 Throttle valve control module -GX3-**

◆ ⇒ ["1.52.1 6-pin connector T6x", page 33](#)

**1.52.1 6-pin connector -T6x-**

6-pin connector -T6x-



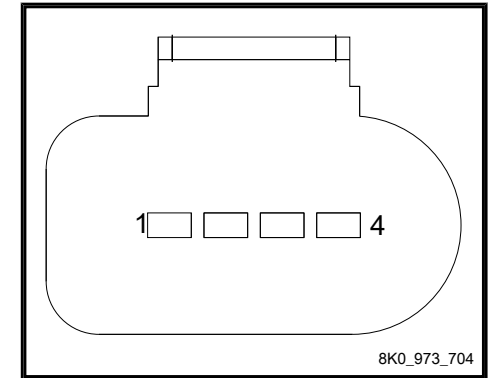
Cavity	Function	Cavity	Function
1	Signal Monitor (+) Sensor 1	4	Signal Monitor (+) Sensor 2
2	Power	5	Signal (-) Throttle motor
3	Signal (+) Throttle motor	6	Ground

**1.53 Oxygen sensor 1 after catalytic converter -GX7-**

◆ ⇒ ["1.53.1 4-pin connector T4bu", page 34](#)

1.53.1 4-pin connector -T4bu-

4-pin connector -T4bu-



8K0\_973\_704

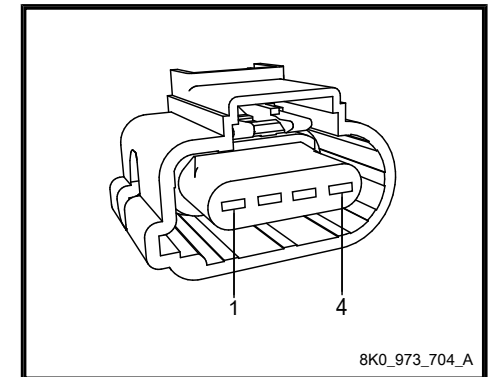
Cavity	Function	Cavity	Function
1	Power (87a)	3	Signal (-)
2	Signal (-) Heater	4	Signal (+)

1.54 Oxygen sensor 2 after catalytic converter -GX8-

◆ => "1.54.1 4-pin connector T4bt", page 34

1.54.1 4-pin connector -T4bt-

4-pin connector -T4bt-



8K0\_973\_704\_A

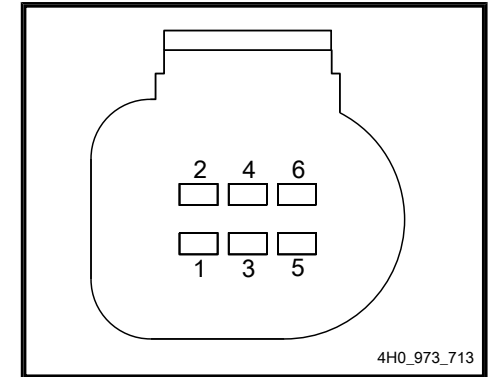
Cavity	Function	Cavity	Function
1	Power (87a)	3	Signal (-)
2	Signal (-) Heater	4	Signal (+)

**1.55 Oxygen sensor 1 before catalytic converter -GX10-**

◆ ⇒ ["1.55.1 6-pin connector T6s", page 35](#)

**1.55.1 6-pin connector -T6s-**

6-pin connector -T6s-



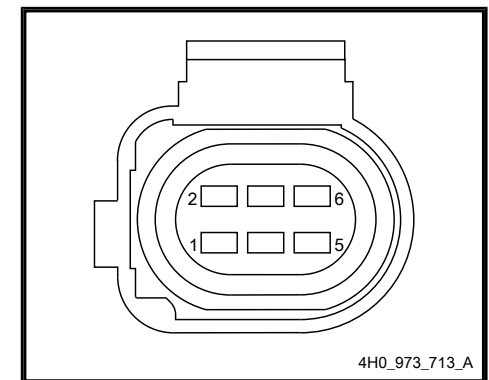
Cavity	Function	Cavity	Function
1	Signal (-) Pump	4	Signal (-) Sensor
2	Signal (+) Pump	5	Power (87a)
3	Signal (-) Heater	6	Signal (+) Sensor

**1.56 Oxygen sensor 2 before catalytic converter -GX11-**

◆ ⇒ ["1.56.1 6-pin connector T6t", page 35](#)

**1.56.1 6-pin connector -T6t-**

6-pin connector -T6t-



Cavity	Function	Cavity	Function

1	Signal (-) Pump	4	Signal (-) Sensor
2	Signal (+) Pump	5	Power (87a)
3	Signal (-) Heater	6	Signal (+) Sensor

1 Conn. View: Component w/ Prefix H to I

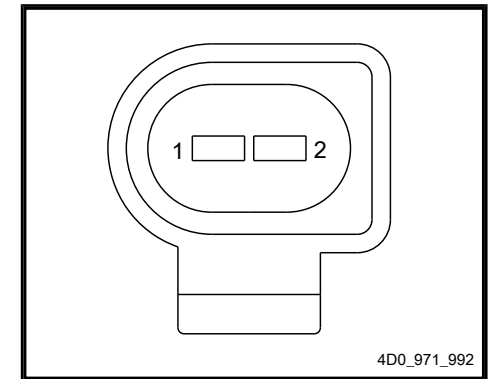
- ◆ ⇒ [“1.1 Anti-theft alarm system horn H8 ”, page 1](#)
- ◆ ⇒ [“1.2 Alarm horn H12 ”, page 1](#)
- ◆ ⇒ [“1.3 Rear parking aid warning buzzer H15 ”, page 2](#)
- ◆ ⇒ [“1.4 Front parking aid warning buzzer H22 ”, page 3](#)
- ◆ ⇒ [“1.5 Rear lid warning buzzer H32 ”, page 3](#)
- ◆ ⇒ [“1.6 Left horn H33 ”, page 4](#)
- ◆ ⇒ [“1.7 Right horn H34 ”, page 4](#)

1.1 Anti-theft alarm system horn -H8-

- ◆ ⇒ [“1.1.1 2-pin connector T2ez ”, page 1](#)

1.1.1 2-pin connector -T2ez-

2-pin connector -T2ez-



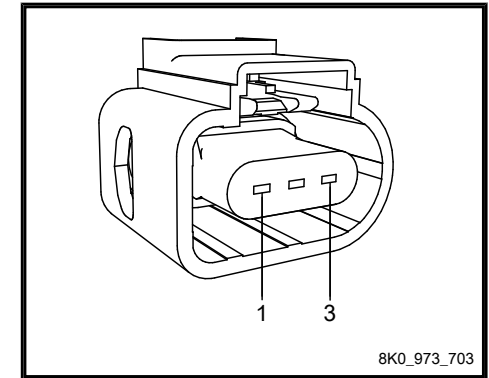
Cavity	Function	Cavity	Function
1	Power	2	Ground (31)

1.2 Alarm horn -H12-

- ◆ ⇒ [“1.2.1 3-pin connector T3dn ”, page 2](#)

1.2.1 3-pin connector -T3dn-

3-pin connector -T3dn-



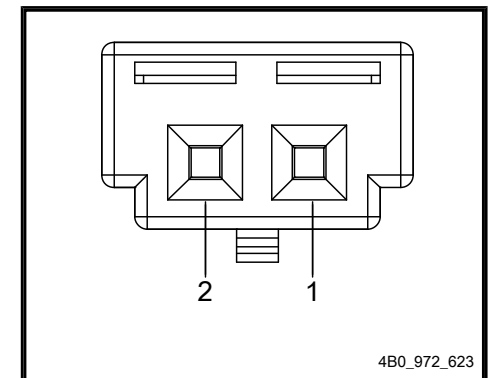
Cavity	Function	Cavity	Function
1	LIN Bus	3	...
2	...		

1.3 Rear parking aid warning buzzer -H15-

◆ ⇒ ["1.3.1 2-pin connector T2cr", page 2](#)

1.3.1 2-pin connector -T2cr-

2-pin connector -T2cr-



Cavity	Function	Cavity	Function
1	Signal (+)	2	Signal (-)

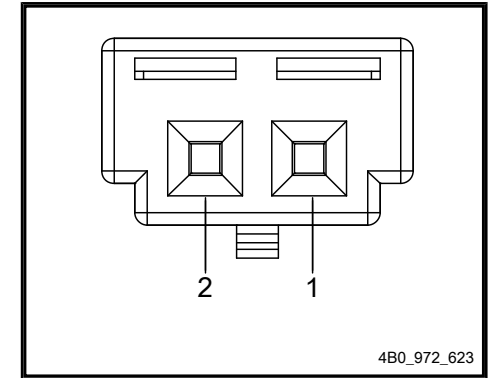


**1.4 Front parking aid warning buzzer -H22-**

◆ ⇒ ["1.4.1 2-pin connector T2bl", page 3](#)

**1.4.1 2-pin connector -T2bl-**

2-pin connector -T2bl-



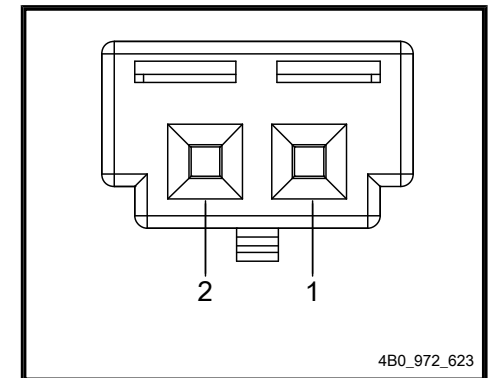
Cavity	Function	Cavity	Function
1	Signal (+)	2	Signal (-)

**1.5 Rear lid warning buzzer -H32-**

◆ ⇒ ["1.5.1 2-pin connector T2e", page 3](#)

**1.5.1 2-pin connector -T2e-**

2-pin connector -T2e-



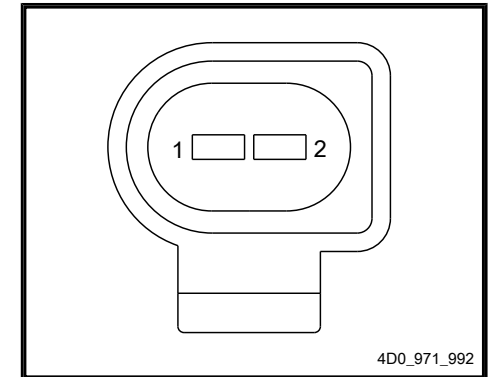
Cavity	Function	Cavity	Function
1	Signal (+)	2	Signal (-)

1.6 Left horn -H33-

◆ ⇒ [“1.6.1 2-pin connector T2ei”, page 4](#)

1.6.1 2-pin connector -T2ei-

2-pin connector -T2ei-



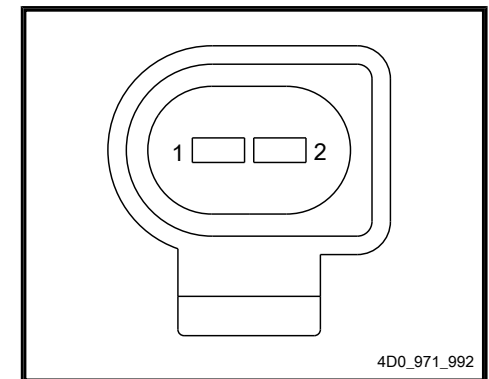
Cavity	Function	Cavity	Function
1	Power (87)	2	Ground (31)

1.7 Right horn -H34-

◆ ⇒ [“1.7.1 2-pin connector T2eu”, page 4](#)

1.7.1 2-pin connector -T2eu-

2-pin connector -T2eu-



Cavity	Function	Cavity	Function

1	Power (87)	2	Ground (31)
---	------------	---	-------------

## 1 Conn. View: Component w/ Prefix J

- ◆ ⇒ [“1.1 ABS control module J104 ”, page 2](#)
- ◆ ⇒ [“1.2 Fresh air blower control module J126 ”, page 3](#)
- ◆ ⇒ [“1.3 Transmission control module J217 ”, page 4](#)
- ◆ ⇒ [“1.4 Airbag control module J234 ”, page 5](#)
- ◆ ⇒ [“1.5 Power sunroof control module J245 ”, page 7](#)
- ◆ ⇒ [“1.6 Towing recognition control module J345 ”, page 9](#)
- ◆ ⇒ [“1.8 Auxiliary heater control module J364 ”, page 12](#)
- ◆ ⇒ [“1.7 Battery monitoring control module J367 ”, page 11](#)
- ◆ ⇒ [“1.9 Driver door control module J386 ”, page 13](#)
- ◆ ⇒ [“1.10 Front passenger door control module J387 ”, page 16](#)
- ◆ ⇒ [“1.11 Rear fresh air blower control module J391 ”, page 19](#)
- ◆ ⇒ [“1.12 Distance regulation control module J428 ”, page 19](#)
- ◆ ⇒ [“1.13 Parking aid control module J446 ”, page 20](#)
- ◆ ⇒ [“1.14 Remote start system relay J471 ”, page 22](#)
- ◆ ⇒ [“1.15 All wheel drive control module J492 ”, page 22](#)
- ◆ ⇒ [“1.16 Power steering control module J500 ”, page 23](#)
- ◆ ⇒ [“1.17 Vehicle electrical system control module J519 ”, page 24](#)
- ◆ ⇒ [“1.18 Digital sound system control module J525 ”, page 29](#)
- ◆ ⇒ [“1.19 Steering column electronics control module J527 ”, page 30](#)
- ◆ ⇒ [“1.20 Garage door opener control module J530 ”, page 32](#)
- ◆ ⇒ [“1.21 Data bus on board diagnostic interface J533 ”, page 33](#)
- ◆ ⇒ [“1.22 Fuel pump control module J538 ”, page 33](#)
- ◆ ⇒ [“1.23 Rear lid control module J605 ”, page 34](#)
- ◆ ⇒ [“1.24 Engine control module J623 ”, page 36](#)
- ◆ ⇒ [“1.25 Front information display control head J685 ”, page 36](#)

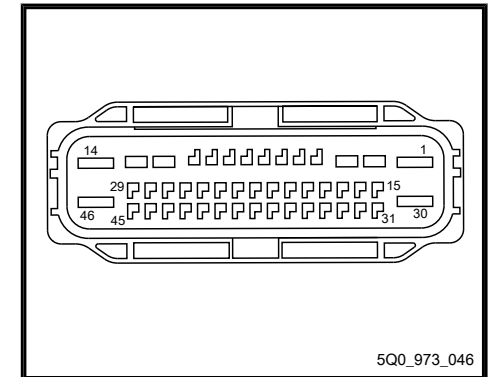
- ◆ ⇒ [“1.26 Cornering lamp and headlamp range control module J745 ”, page 38](#)
- ◆ ⇒ [“1.27 Electronic steering column lock control module J764 ”, page 38](#)
- ◆ ⇒ [“1.28 Information electronics control module 1 J794 ”, page 39](#)
- ◆ ⇒ [“1.29 Driver seat adjustment control module J810 ”, page 46](#)
- ◆ ⇒ [“1.30 Fuel tank leak detection control module J909 ”, page 49](#)
- ◆ ⇒ [“1.31 Peripheral camera control module J928 ”, page 49](#)
- ◆ ⇒ [“1.32 Rear lid opener control module J938 ”, page 53](#)
- ◆ ⇒ [“1.33 Emergency communication control module J949 ”, page 53](#)
- ◆ ⇒ [“1.34 Access/start system interface J965 ”, page 54](#)
- ◆ ⇒ [“1.35 Blind spot detection module J1086 ”, page 56](#)
- ◆ ⇒ [“1.36 Blind spot detection control module 2 J1087 ”, page 56](#)

**1.1 ABS control module -J104-**

- ◆ ⇒ [“1.1.1 46-pin connector T46b ”, page 2](#)

**1.1.1 46-pin connector -T46b-**

46-pin connector -T46b-



Cavity	Function	Cavity	Function
1	Power (30)	24	Signal (+) EPB switch 4
2	EPB signal (+), left	25	...
3	EPB signal (-), left	26	Signal OUT right front (if equipped)
4	Ground RF sensor	27	...
5	Signal (+) RF sensor	28	Signal OUT left front (if equipped)

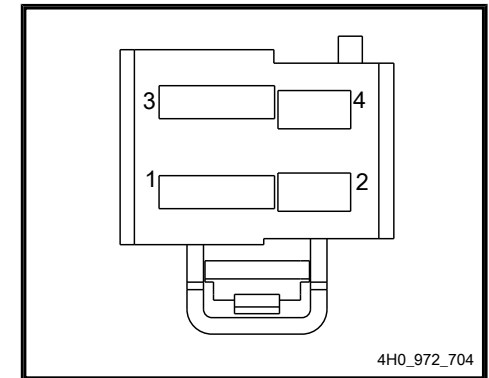
6	Ground LR sensor	29	...
7	Signal (+) LR sensor	30	Power (30)
8	Ground LF sensor	31	Power (30)
9	Signal (+) LF sensor	32	Signal (+) AUTOHOLD, if equipped
10	Ground RR sensor	33	Signal EPB clutch sensor (if equipped)
11	Signal (+) RR sensor	34	...
12	Signal (+/-) left motor	35	Power (15)
13	Signal (+/-) left motor	36	Signal (-) EPB
14	Ground (31)	37	...
15	...	38	Signal (+) vacuum sensor
16	...	39	Signal EPB (if equipped)
17	Signal (+) EPB switch 1	40	...
18	Signal (+) EPB switch 2	41	
19	Signal (+) EPB switch 3	42	CAN-H
20	Signal out RR (if equipped)	43	CAN-L
21	...	44	Power (5V) vacuum sensor
22	Signal out RR (if equipped)	45	Signal (-) vacuum sensor
23	Signal (AUTOHOLD), if equipped	46	Ground (31)

**1.2 Fresh air blower control module -J126-**

◆ ⇒ ["1.2.1 4-pin connector T4ba", page 3](#)

**1.2.1 4-pin connector -T4ba-**

4-pin connector -T4ba-



4H0\_972\_704

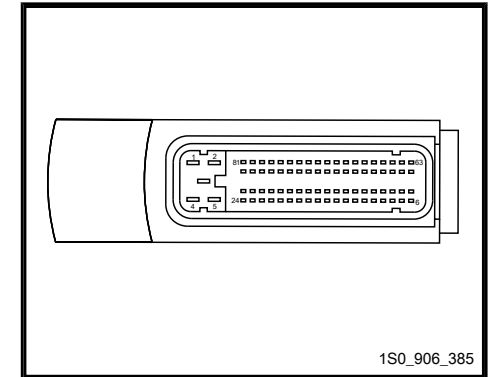
Cavity	Function	Cavity	Function
1	Ground (31)	3	Power (30)
2	...	4	LIN Bus

1.3 Transmission control module -J217-

◆ ⇒ ["1.3.1 81-pin connector T81a", page 4](#)

1.3.1 81-pin connector -T81a-

81-pin connector -T81a-



1S0\_906\_385

Cavity	Function	Cavity	Function
1	Power (30)	42	Signal (+) solenoid U
2	Power (30)	43	Signal (+) solenoid T
3	...	44	CAN-L 2
4	Ground	45	CAN-H 1
5	Ground	46	CAN-L 1
6	...	47	Signal (+) NIN
7	...	48	Signal (-) NOUT
8	...	49	...
9	...	50	...
10	...	51	...
11	...	52	Signal B
12	...	53	Signal PA
13	...	54	...
14	...	55	...

15	...	56	...
16	...	57	Signal (-) OT
17	...	58	Signal (+) OT
18	...	59	...
19	...	60	...
20	...	61	Signal (-) EMOP
21	...	62	Signal (+) EMOP
22	...	63	CAN-H 2
23	...	64	...
24	...	65	...
25	...	66	Signal (-) NIN
26	...	67	signal (+) NOUT
27	...	68	...
28	...	69	...
29	Signal Boot	70	Signal position info
30	Signal (-) solenoid 5	71	Signal A
31	Signal (-) solenoid 4	72	Signal C
32	Signal (-) solenoid 3	73	Signal RL/R
33	Signal (-) solenoid 2	74	Signal Tip-info
34	Signal (-) solenoid 1	75	...
35	Signal (-) solenoid U	76	...
36	Signal (-) solenoid T	77	...
37	Signal (+) solenoid 5	78	Power (15)
38	Signal (+) solenoid 4	79	Signal S2
39	Signal (+) solenoid 3	80	Signal S1
40	Signal (+) solenoid 2	81	Signal (+) solenoid L
41	Signal (+) solenoid 1		

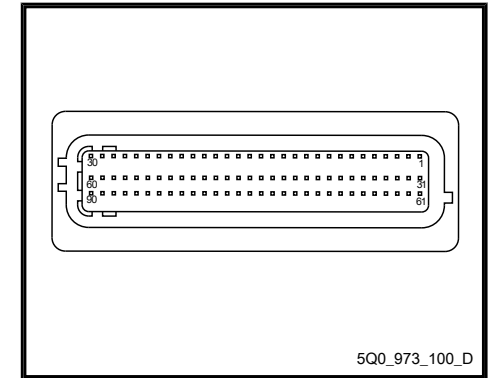
## 1.4 Airbag control module -J234-

◆ ⇒ ["1.4.1 90-pin connector T90c", page 6](#)



1.4.1 90-pin connector -T90c-

90-pin connector -T90c-



Cavity	Function	Cavity	Function
1	...	46	...
2	...	47	...
3	...	48	...
4	Signal (-) Front passenger airbag -disabled- indicator lamp	49	Signal (-) SArd (depend on equipment)
5	...	50	Signal (+) SArd (depend on equipment)
6	...	51	Signal (+) BPrD (depend on equipment)
7	...	52	Signal (-) BPrD (depend on equipment)
8	Signal PWM, (if equipped NZ3)	53	Signal (-) Driver head curtain airbag igniter
9	...	54	Signal (+) Driver head curtain airbag igniter
10	...	55	Signal (+) airbag, driver
11	...	56	Signal (-) airbag, driver
12	...	57	Signal (-) Driver seat belt tensioner igniter 1
13	Signal (+) Front passenger seat belt tensioner igniter 1	58	Signal (+) Driver seat belt tensioner igniter 1
14	Signal (-) Front passenger seat belt tensioner igniter 1	59	Signal (-) driver thorax airbag igniter
15	...	60	Signal (+) driver thorax airbag igniter
16	...	61	Power (15)
17	Signal (+) airbag (if equipped)	62	LIN
18	Signal (-) airbag (if equipped)	63	Signal (-) Driver seat belt switch / Ground (31)
19	Signal (-) SArP	64	LIN
20	Signal (+) SArP	65	...
21	Signal (-) VPrP	66	...
22	Signal (+) VPrP	67	...

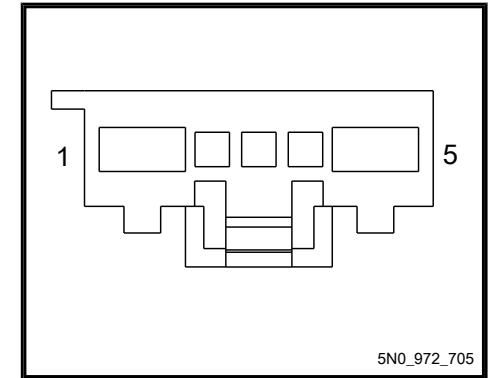
23	Signal (-) Front passenger head curtain airbag igniter	68	Signal (+) Front passenger seat belt tensioner igniter 2
24	Signal (+) Front passenger head curtain airbag igniter	69	Signal (-) Front passenger seat belt tensioner igniter 2
25	Signal (+) Front passenger airbag igniter 1	70	...
26	Signal (-) Front passenger airbag igniter 1	71	...
27	Signal (-) Front passenger seat belt tensioner igniter 1	72	Signal (+) Driver front airbag crash sensor
28	Signal (+) Front passenger seat belt tensioner igniter 1	73	Signal (-) Driver front airbag crash sensor
29	Signal (+) Front passenger thorax airbag igniter	74	...
30	Signal (-) Front passenger thorax airbag igniter	75	...
31	Power (15)	76	...
32	...	77	...
33	Signal (+) Front passenger seat belt switch	78	Signal (+) Passenger side front airbag crash sensor
34	Signal (+) Front passenger seat position sensor	79	Signal (-) Passenger side front airbag crash sensor
35	Signal (+) Driver seat belt switch	80	Signal (+) side airbag, rear left
36	...	81	Signal (-) side airbag, rear left
37	...	82	Signal (+) side crash sensor, left
38	...	83	Signal (-) side crash sensor, left
39	Data, DLC connector	84	Signal (-) Passenger side rear thorax airbag crash sensor
40	...	85	Signal (+) Passenger side rear thorax airbag crash sensor
41	Signal (-) Front passenger airbag igniter 2	86	Signal (+) Front passenger thorax airbag crash sensor
42	Signal (+) Front passenger airbag igniter 2	87	Signal (-) Front passenger thorax airbag crash sensor
43	Signal (+) Driver seat belt tensioner igniter 1	88	...
44	Signal (-) Driver seat belt tensioner igniter 1	89	CAN-H
45	...	90	CAN-L

## 1.5 Power sunroof control module -J245-

- ◆ ⇒ ["1.5.1 5-pin connector T5aq", page 8](#)
- ◆ ⇒ ["1.5.2 16-pin connector T16o", page 8](#)
- ◆ ⇒ ["1.5.3 4-pin connector T4co", page 9](#)

1.5.1 5-pin connector -T5aq-

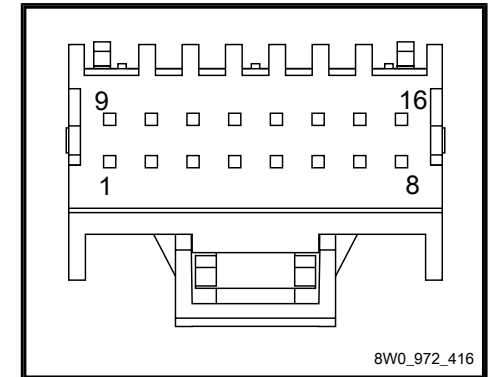
5-pin connector -T5aq-



Cavity	Function	Cavity	Function
1	Ground (31)	4	CAN-L
2	LIN	5	Power (30)
3	CAN-H		

1.5.2 16-pin connector -T16o-

16-pin connector -T16o-

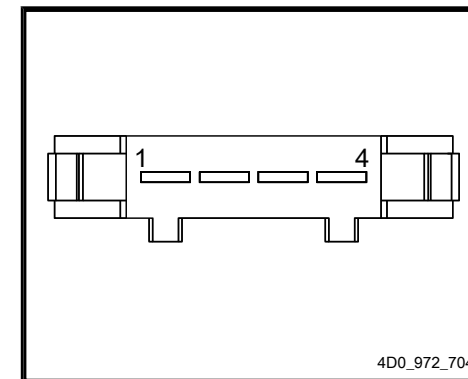


Cavity	Function	Cavity	Function
1	Signal (+) Sunroof shade motor	9	Signal (+/-) Sunroof shade motor
2	Signal (+) Sunroof motor	10	Signal (+/-) Sunroof shade motor
3	Ground motors	11	Signal (+) motors
4	Signal (+) Sunroof button	12	signal (+) sunroof button
5	Signal (+) Roof shade button 1	13	...

6	Ground sunroof button	14	...
7	...	15	Ground (58xt)
8	...	16	Ground (58xt)

**1.5.3 4-pin connector -T4co-**

4-pin connector -T4co-



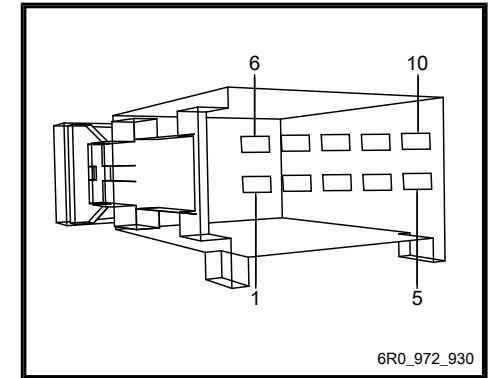
Cavity	Function	Cavity	Function
1	Signal (+/-) Sunroof shade motor	3	Signal (+/-) sunroof motor
2	Signal (+/-) Sunroof shade motor	4	Signal (+/-) sunroof motor

**1.6 Towing recognition control module -J345-**

- ◆ ⇒ ["1.6.1 10-pin connector T10p", page 10](#)
- ◆ ⇒ ["1.6.2 24-pin connector T24a", page 10](#)
- ◆ ⇒ ["1.6.3 6-pin connector T6p", page 11](#)

1.6.1 10-pin connector -T10p-

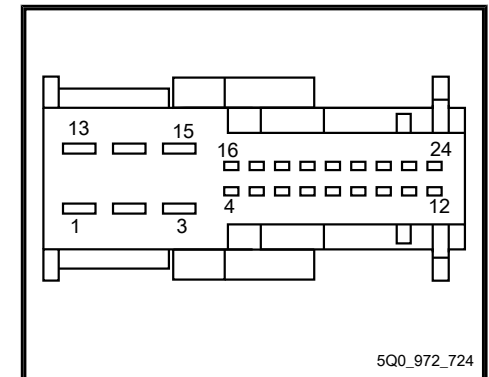
10-pin connector -T10p-



Cavity	Function	Cavity	Function
1	Power (15)	6	Power, Electric trailer brake position sensor
2	Signal BLS (Brake Light Signal)	7	...
3	CAN-H	8	...
4	CAN-L	9	...
5	...	10	...

1.6.2 24-pin connector -T24a-

24-pin connector -T24a-

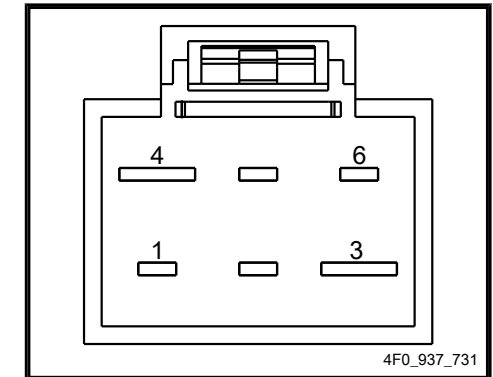


Cavity	Function	Cavity	Function
1	...	13	...
2	Power (30)	14	...
3	...	15	Signal (58) Brake lights

4	...	16	...
5	...	17	...
6	...	18	Signal (+) turn-signals
7	Signal (-) test bridge	19	Power RFS
8	...	20	...
9	...	21	...
10	Signal (+) test bridge	22	...
11	...	23	...
12	...	24	Signal (+) turn-signals

1.6.3 6-pin connector -T6p-

6-pin connector -T6p-



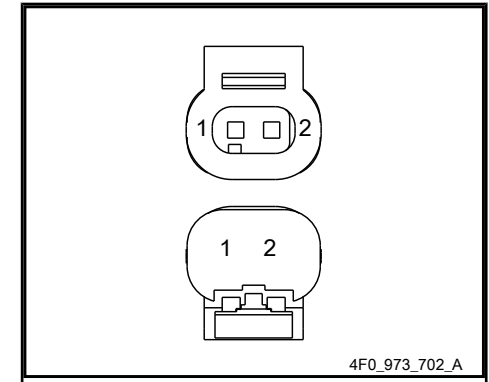
Cavity	Function	Cavity	Function
1	...	4	Power (30), left
2	Ground (31)	5	Power (30), logic
3	Power (30), right	6	Power (30), loading

1.7 Battery monitoring control module -J367-

◆ ⇒ ["1.7.1 2-pin connector T2ea", page 12](#)

1.7.1 2-pin connector -T2ea-

2-pin connector -T2ea-



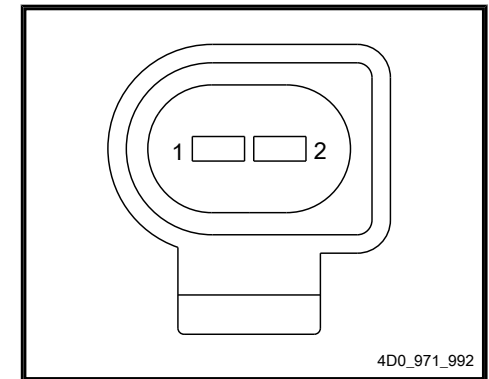
Cavity	Function	Cavity	Function
1	LIN Bus	2	Power (30)

1.8 Auxiliary heater control module -J364-

◆ ⇒ ["1.8.1 2-pin connector T2fa ", page 12](#)

1.8.1 2-pin connector -T2fa-

2-pin connector -T2fa-



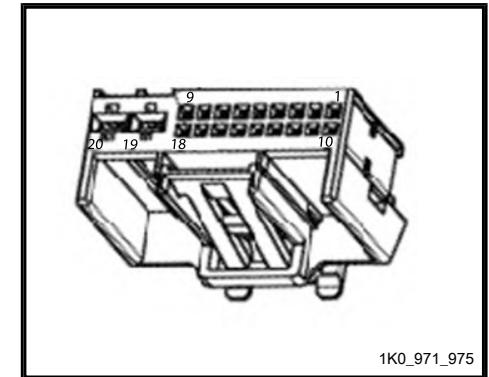
Cavity	Function	Cavity	Function
1	Power	2	TBD

1.9 Driver door control module -J386-

- ◆ ⇒ [“1.9.1 20-pin connector T20a ”, page 13](#)
- ◆ ⇒ [“1.9.2 32-pin connector T32a ”, page 14](#)
- ◆ ⇒ [“1.9.3 6-pin connector T6d ”, page 15](#)
- ◆ ⇒ [“1.9.4 16-pin connector T16m ”, page 15](#)

1.9.1 20-pin connector -T20a-

20-pin connector -T20a-

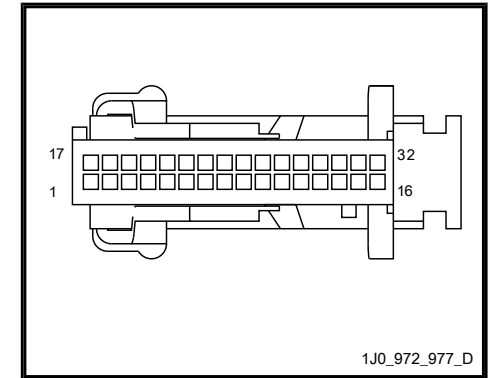


Cavity	Function	Cavity	Function
1	Signal (+) Door lock cylinder contact	11	Signal (+/-) Locking motor
2	Ground (31)	12	...
3	...	13	Signal (+/-) Locking motor
4	...	14	CAN L
5	Signal (+) Door contact	15	CAN H
6	Signal (+) Door lock	16	...
7	...	17	Signal (-) Mirror
8	Signal (+) Mirror	18	...
9	...	19	Power (30a)
10	LIN Bus	20	Ground (31)



1.9.2 32-pin connector -T32a-

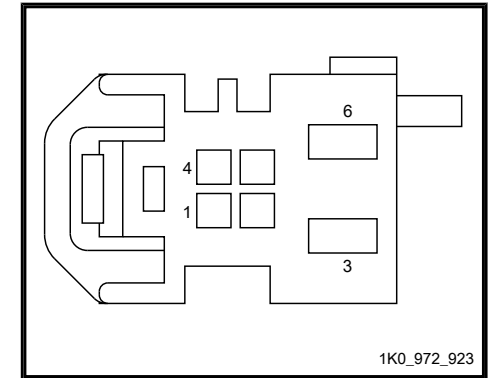
32-pin connector -T32a-



Cavity	Function	Cavity	Function
1	Signal (+) SAFE FED	17	...
2	...	18	...
3	Signal (+) Ambient lighting	19	...
4	Power (58)	20	...
5	Ground	21	...
6	...	22	...
7	...	23	Signal (+) Liftgate
8	Signal (-) Ambient lighting	24	Signal (-) Mirror XY
9	...	25	Signal (+) Mirror XY
10	...	26	...
11	...	27	Signal (+) Child lock
12	Signal (+) Child lock LED	28	Signal (+) Lock/unlock
13	Signal (+) Lock LED	29	Signal (+) RR Window
14	...	30	Signal (+) LR Window
15	...	31	Signal (+) RF Window
16	Signal (+) Door warning lamp	32	Signal (+) LF Window

1.9.3 6-pin connector -T6d-

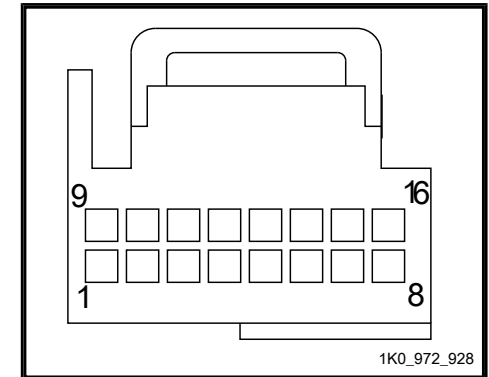
6-pin connector -T6d-



Cavity	Function	Cavity	Function
1	...	4	...
2	...	5	...
3	Signal (+/-) LF Window	6	Signal (+/-) LF Window

1.9.4 16-pin connector -T16m-

16-pin connector -T16m-



Cavity	Function	Cavity	Function
1	Signal (-) Lamp in mirror	9	Signal (+/-) Folding motor
2	...	10	Signal (+/-) Folding motor
3	Signal (+)	11	Signal (-) Turn indicator in mirror
4	Signal (+) Position sensors	12	...
5	Signal (-) Mirror adjustment motors	13	Signal Monitor Mirror L/R

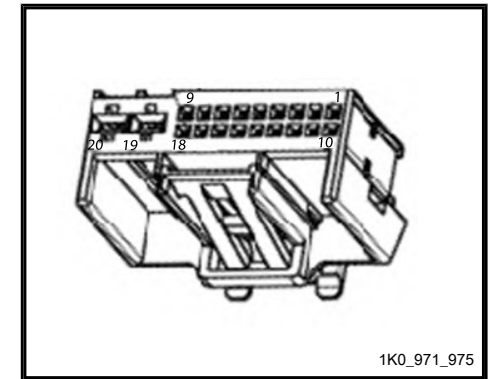
6	...	14	Signal (-) Up/Down
7	Signal (+) Mirror L/R	15	Signal (-) Mirror heater
8	Signal (+) Mirror up/down	16	Signal Monitor Mirror Up/Down

**1.10 Front passenger door control module -J387-**

- ◆ ⇒ [“1.10.1 20-pin connector T20b”, page 16](#)
- ◆ ⇒ [“1.10.2 32-pin connector T32b”, page 17](#)
- ◆ ⇒ [“1.10.3 6-pin connector T6e”, page 18](#)
- ◆ ⇒ [“1.10.4 16-pin connector T16n”, page 18](#)

**1.10.1 20-pin connector -T20b-**

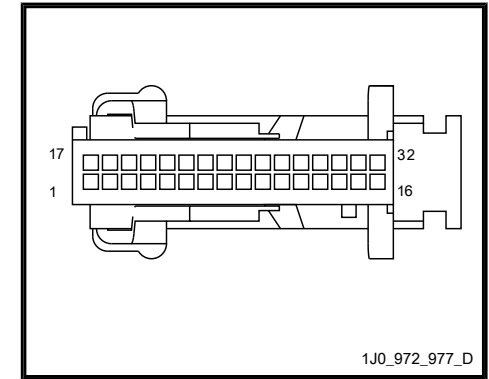
20-pin connector -T20b-



Cavity	Function	Cavity	Function
1	Signal (+) Door lock cylinder contact	11	Signal (+/-) Locking motor
2	Ground (31)	12	...
3	...	13	Signal (+/-) Locking motor
4	...	14	CAN L
5	Signal (+) Door contact	15	CAN H
6	Signal (+) Door lock	16	...
7	...	17	Signal (-) Mirror
8	Signal (+) Mirror	18	...
9	...	19	Power (30a)
10	LIN Bus	20	Ground (31)

1.10.2 32-pin connector -T32b-

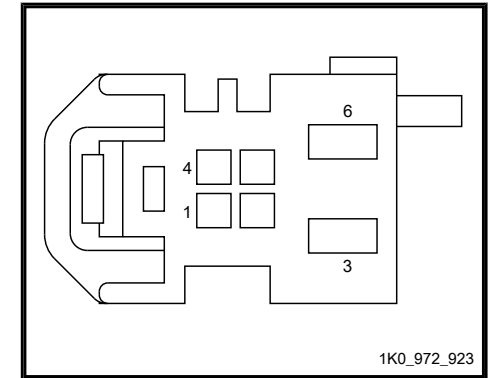
32-pin connector -T32b-



Cavity	Function	Cavity	Function
1	Signal (+) SAFE FED	17	...
2	...	18	...
3	Signal (+) Ambient lighting	19	...
4	Power (58)	20	...
5	Ground	21	...
6	...	22	...
7	...	23	Signal (+) Liftgate
8	Signal (-) Ambient lighting	24	Signal (-) Mirror XY
9	...	25	Signal (+) Mirror XY
10	...	26	...
11	...	27	Signal (+) Child lock
12	Signal (+) Child lock LED	28	Signal (+) Lock/unlock
13	Signal (+) Lock LED	29	...
14	...	30	...
15	...	31	...
16	Signal (+) Door warning lamp	32	Signal (+) RF Window

**1.10.3 6-pin connector -T6e-**

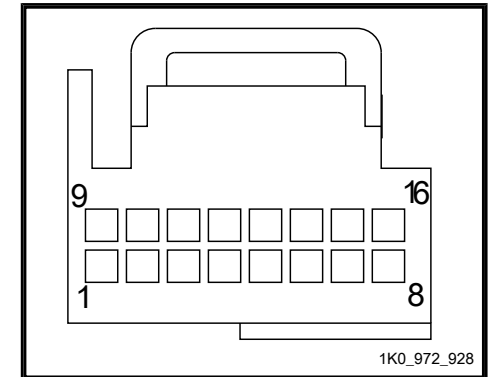
6-pin connector -T6e-



Cavity	Function	Cavity	Function
1	...	4	...
2	...	5	...
3	Signal (+/-) LF Window	6	Signal (+/-) LF Window

**1.10.4 16-pin connector -T16n-**

16-pin connector -T16n-



Cavity	Function	Cavity	Function
1	Signal (-) Lamp in mirror	9	Signal (+/-) Folding motor
2	...	10	Signal (+/-) Folding motor
3	Signal (+)	11	Signal (-) Turn indicator in mirror
4	Signal (+) Position sensors	12	...
5	Signal (-) Mirror adjustment motors	13	Signal Monitor Mirror L/R

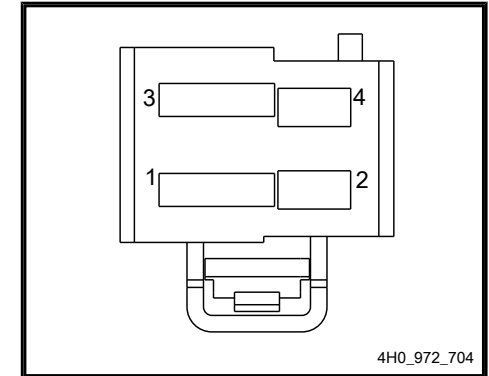
6	...	14	Signal (-) Up/Down
7	Signal (+) Mirror L/R	15	Signal (-) Mirror heater
8	Signal (+) Mirror up/down	16	Signal Monitor Mirror Up/Down

**1.11 Rear fresh air blower control module -J391-**

◆ ⇒ ["1.11.1 4-pin connector T4ao", page 19](#)

**1.11.1 4-pin connector -T4ao-**

4-pin connector -T4ao-



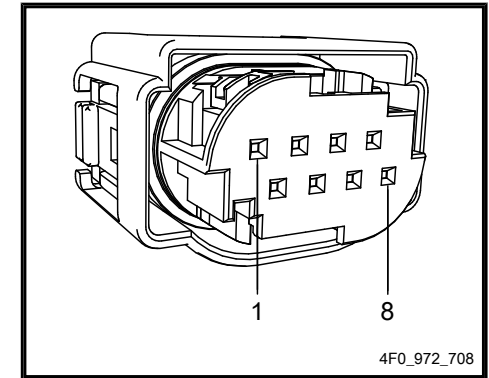
Cavity	Function	Cavity	Function
1	Ground (31)	3	Power (30)
2	Ground (31)	4	LIN Bus

**1.12 Distance regulation control module -J428-**

◆ ⇒ ["1.12.1 8-pin connector T8an", page 20](#)

**1.12.1 8-pin connector -T8an-**

8-pin connector -T8an-



Cavity	Function	Cavity	Function
1	Ground (31)	5	CAN H
2	CAN H extended	6	CAN L
3	CAN L extended	7	...
4	...	8	Power (15a)

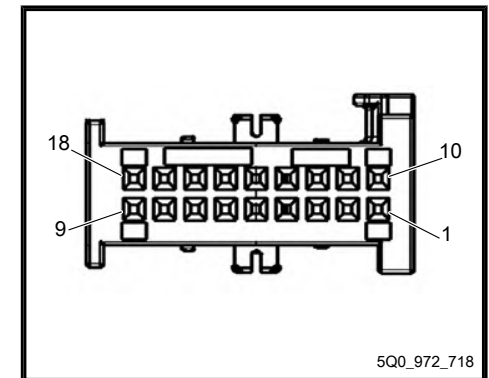
**1.13 Parking aid control module -J446-**

◆ ⇒ ["1.13.1 18-pin connector T18c", page 20](#)

◆ ⇒ ["1.13.2 26-pin connector T26a", page 21](#)

**1.13.1 18-pin connector -T18c-**

18-pin connector -T18c-

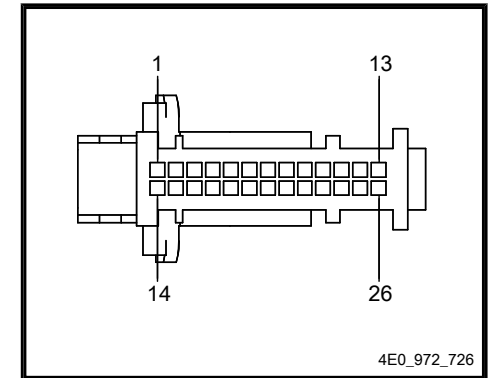


Cavity	Function	Cavity	Function
--------	----------	--------	----------

1	...	10	Ground sensors
2	Signal Monitor LF parallel park sensor	11	Signal Monitor LF park aid sensor
3	Signal Monitor LF center park aid sensor	12	Signal Monitor RF center park aid sensor
4	Signal Monitor RF park aid sensor	13	Signal Monitor RF parallel park sensor
5	...	14	Power (+5V) sensors
6	...	15	...
7	...	16	...
8	...	17	...
9	...	18	...

**1.13.2 26-pin connector -T26a-**

26-pin connector -T26a-



Cavity	Function	Cavity	Function
1	...	14	Power (15a)
2	Signal (+) front park aid buzzer	15	Signal (+) Rear park aid buzzer
3	Signal (+) Parallel park button	16	Signal (+) Park aid button
4	Signal (+) Parallel park lamp	17	Signal (+) Park aid lamp
5	...	18	Signal (+) Rear park aid sensors
6	Signal Monitor LR park aid sensor	19	Signal Monitor LR parallel park aid sensor
7	Signal Monitor RR center park aid sensor	20	Signal Monitor LR center park aid sensor
8	Signal Monitor RR parallel park aid sensor	21	Signal Monitor RR park aid sensor
9	Ground rear park aid buzzer	22	Signal (-) Rear park aid sensors
10	Ground front park aid buzzer	23	CAN L
11	...	24	CAN H



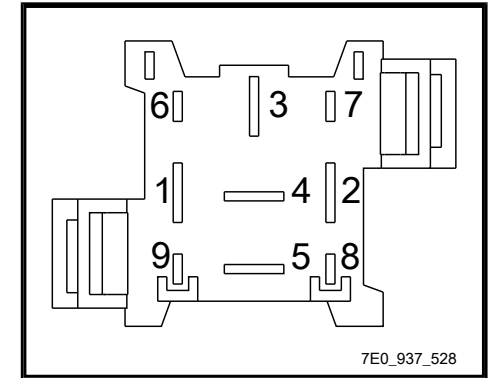
12	...	25	...
13	Ground (31)	26	...

**1.14 Remote start system relay -J471-**

◆ ⇒ [“1.14.1 9-pin connector T9a”, page 22](#)

**1.14.1 9-pin connector -T9a-**

9-pin connector -T9a-



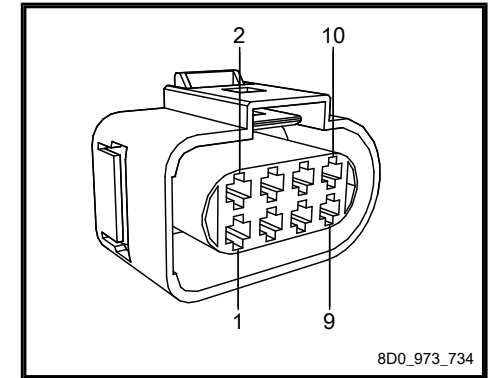
Cavity	Function	Cavity	Function
1	Power (15) Signal	6	Power (30a)
2	Ground (31)	7	Power (15)
3	Power (30a)	8	...
4	...	9	Power (15)
5	Power (15)		

**1.15 All wheel drive control module -J492-**

◆ ⇒ [“1.15.1 8-pin connector T8ag”, page 23](#)

**1.15.1 8-pin connector -T8ag-**

8-pin connector -T8ag-



Cavity	Function	Cavity	Function
1	Power (15)	5	CAN L
2	...	6	...
3	Power (30)	7	Ground (31)
4	CAN H	8	...

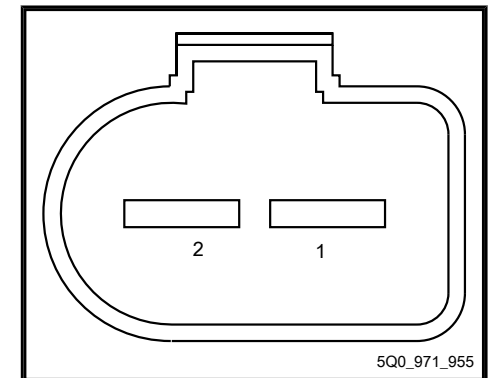
**1.16 Power steering control module -J500-**

◆ ⇒ ["1.16.1 2-pin connector T2am", page 23](#)

◆ ⇒ ["1.16.2 3-pin connector T3t", page 24](#)

**1.16.1 2-pin connector -T2am-**

2-pin connector -T2am-

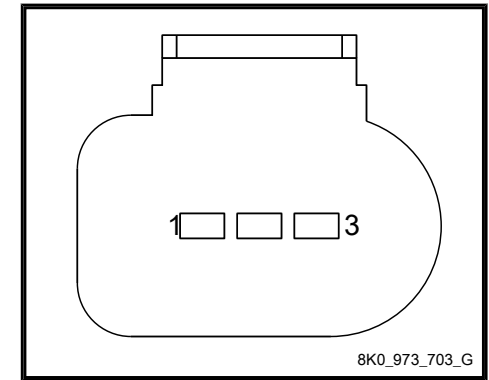


Cavity	Function	Cavity	Function

1	Ground (31)	2	Power (30)
---	-------------	---	------------

1.16.2 3-pin connector -T3t-

3-pin connector -T3t-



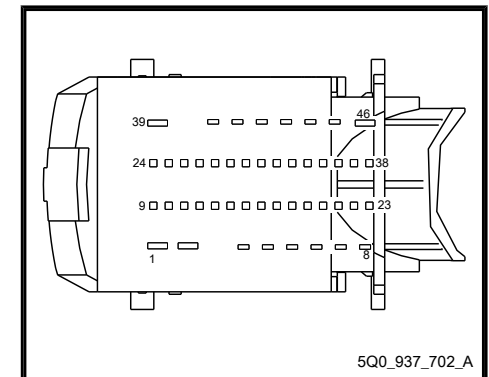
Cavity	Function	Cavity	Function
1	CAN L	3	Power (15)
2	CAN H		

1.17 Vehicle electrical system control module -J519-

- ◆ ⇒ ["1.17.1 46-pin connector T46a", page 24](#)
- ◆ ⇒ ["1.17.2 73-pin connector T73a", page 26](#)
- ◆ ⇒ ["1.17.3 73-pin connector T73b", page 27](#)

1.17.1 46-pin connector -T46a-

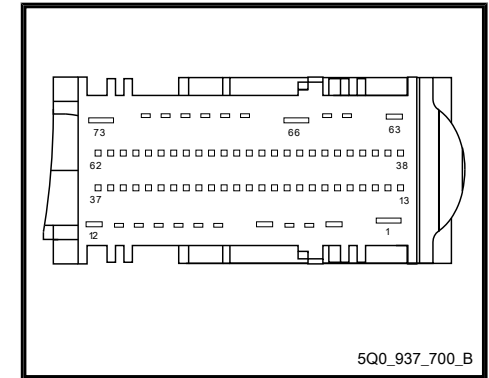
46-pin connector -T46a-



Cavity	Function	Cavity	Function
1	Signal (+) RF low beam	24	Power (87)
2	Signal (+) RF high beam	25	...
3	...	26	...
4	...	27	Signal (+) Outside temperature sensor
5	Signal (+) RF fog lamp	28	Signal (+) Washer fluid level sensor
6	Ground (31)	29	LIN Bus
7	Signal (+) Rear washer pump	30	...
8	Signal (-) rear washer pump	31	LIN Bus Alarm
9	Signal (+) Injection heaters	32	LIN Bus
10	Signal (+) LED module LH tail and parking lamp	33	Ground (31)
11	Signal (+) Back up lamp (manual trans only)	34	...
12	Signal (+) Brake light	35	...
13	Signal (+) Brake fluid sensor	36	...
14	Signal (+) Hood contact switch	37	...
15	Ground (31)	38	...
16	Signal (+) Low coolant level	39	Signal (+) LF high beam
17	Signal (+) Rear lid	40	Signal (+) Anti-theft horn
18	Signal (-) Rear lid	41	...
19	Ground (31)	42	...
20	...	43	...
21	Signal (+) LED module RH tail and parking lamp	44	...
22	...	45	Signal (+) LF fog lamp
23	...	46	Signal (+) Headlamp washer

1.17.2 73-pin connector -T73a-

73-pin connector -T73a-

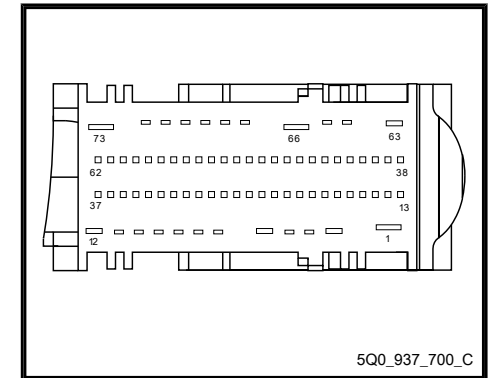


Cavity	Function	Cavity	Function
1	Power (30a)	38	...
2	Signal (+) Drivers seat heater	39	...
3	Signal (+) Fuel filler door	40	...
4	Signal (-) Fuel filler door	41	...
5	Signal (+) Seat backrest heater	42	LIN Bus
6	Signal (+/-) RR unlock motor	43	Power (58)
7	Signal (+/-) RR unlock motor	44	Power (15)
8	...	45	...
9	Signal (+/-) Rear lid motor	46	Signal (+) Daytime running lamps
10	...	47	Power (15)
11	...	48	Signal (+) RR door switch
12	Ground (31)	49	...
13	Power (15)	50	Signal (+) LR door switch
14	Power (15)	51	Signal (+) Start/stop button
15	LIN Bus	52	Signal (+) Rear lid central lock module
16	CAN H	53	Ground (31) switched
17	CAN L	54	...
18	...	55	...
19	...	56	
20	...	57	Signal (+) High mount stop light
21	...	58	...
22	Signal (+) LR Level control sensor	59	Power (58)

23	Signal (-) LR Level control sensor	60	Signal (+) Left tail lamp
24	...	61	Signal (+/-) Rear wiper
25	...	62	Signal (+/-) Rear wiper
26	...	63	Ground (31)
27	...	64	...
28	...	65	Signal (+) RR light
29	Signal (+) Fog lamps	66	Power (30a)
30	...	67	...
31	...	68	Signal (+/-) LR unlock motor
32	Signal (+) Rear lid	69	Signal (+/-) LR unlock motor
33	Signal (+) RR central lock switch	70	...
34	...	71	Signal (+) Left tail lamp
35	Signal (+) SAFE drivers door	72	Signal (+) LR fog lamp
36	...	73	Power (30)
37	...		

**1.17.3 73-pin connector -T73b-**

73-pin connector -T73b-



Cavity	Function	Cavity	Function
1	Power (30)	38	...
2	...	39	...
3	Control Output BCM	40	Signal (+) Passenger seat heater
4	Power (30)	41	...
5	Signal (+) Left low beam	42	Signal (+) Warning light button

6	Control Output BCM	43	Signal (+) Drivers seat heater
7	...	44	...
8	Signal (+) RR tail lamp/stop lamp	45	...
9	Control Output BCM	46	...
10	Power (58)	47	...
11	Signal (+) RR lamp	48	Signal (+) Hazard warning lamp LED
12	Power (30)	49	...
13	...	50	...
14	Signal (+) Wake up	51	...
15	Power (56) Headlamps	52	...
16	Control Input Light switch (Auto)	53	...
17	...	54	LIN Bus
18	...	55	...
19	Power (58d)	56	Ground (31)
20	...	57	Ground (31)
21	...	58	Signal (+) Brake lamp
22	Power (58)	59	...
23	Control Output BCM	60	Signal (+) Start/stop LED
24	Power (30)	61	...
25	...	62	Power (58d)
26	...	63	Ground (31)
27	...	64	...
28	LIN Bus	65	...
29	LIN Bus	66	...
30	...	67	Signal (+) Door contact
31	Signal (+) RR turn signal	68	...
32	Signal (+) LED	69	...
33	...	70	...
34	...	71	...
35	...	72	Signal (+) floor lights
36	...	73	Power (30)
37	...		

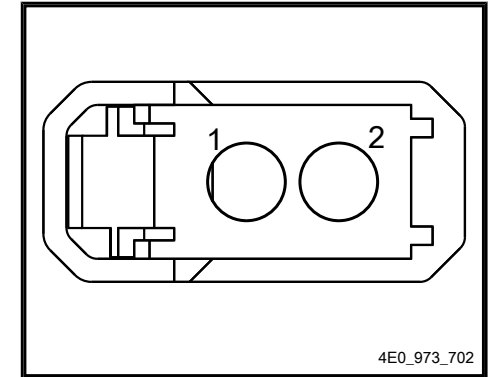
1.18 Digital sound system control module -J525-

◆ ⇒ "1.18.1 2-pin connector T2cf", page 29

◆ ⇒ "1.18.2 38-pin connector T38a", page 29

1.18.1 2-pin connector -T2cf-

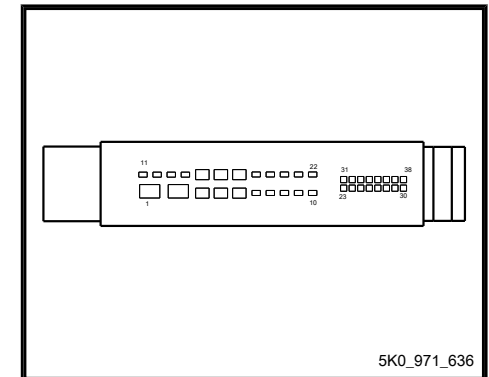
2-pin connector -T2cf-



Cavity	Function	Cavity	Function
1	Fiber optic cable	2	Fiber optic cable

1.18.2 38-pin connector -T38a-

38-pin connector -T38a-



Cavity	Function	Cavity	Function
1	Power (30)	20	Signal (-) RR speakers
2	Ground (31)	21	Signal (+) RF bass speaker
3	Signal (-) LF bass speaker	22	Signal (+) RF bass speaker



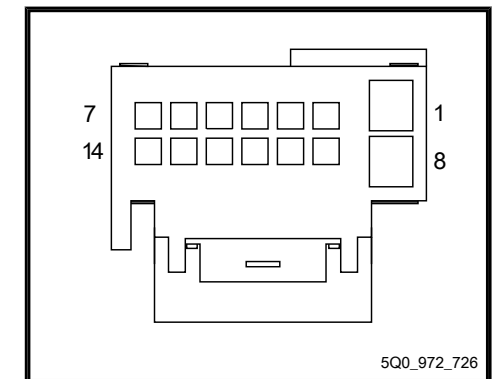
4	Signal (-) Right effects speaker	23	...
5	Signal (+) Subwoofer	24	...
6	Signal (-) RF treble speaker	25	...
7	Signal (+) LR speakers	26	...
8	Signal (+) RR speakers	27	...
9	Signal (-) RF bass speaker	28	...
10	Signal (-) RF bass speaker	29	...
11	Signal (-) LF treble speaker	30	...
12	Signal (+) LF treble speaker	31	Signal (+) Left effects speaker
13	Signal (-) LF bass speaker	32	Signal (-) Left effects speaker
14	Signal (+) LF bass speaker	33	Signal (+) Center speaker
15	Signal (+) LF bass speaker	34	Signal (-) Center speaker
16	Signal (+) Right effects speaker	35	...
17	Signal (-) Subwoofer	36	...
18	Signal (+) RF treble speaker	37	...
19	Signal (-) LR speakers	38	MMI Diag

**1.19 Steering column electronics control module -J527-**

- ◆ ⇒ ["1.19.1 14-pin connector T14j", page 30](#)
- ◆ ⇒ ["1.19.2 16-pin connector T16g", page 31](#)
- ◆ ⇒ ["1.19.3 4-pin connector T4aw", page 32](#)

**1.19.1 14-pin connector -T14j-**

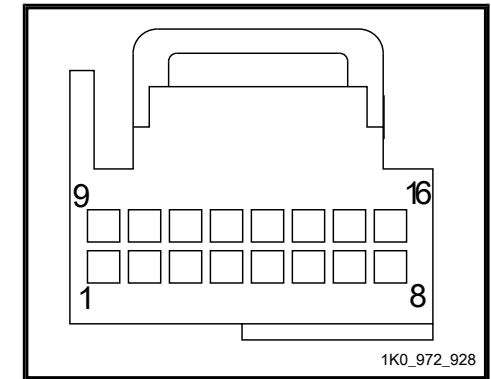
14-pin connector -T14j-



Cavity	Function	Cavity	Function
1	Power (30)	8	Ground (31)
2	Power (30)	9	Signal (+) P/N switch
3	...	10	Power (15)
4	Ground (31)	11	Power (15)
5	CAN L	12	Signal (+) I/P switch
6	CAN H	13	Signal (+) Access start
7	Signal (+) Cruise control	14	LIN Bus

**1.19.2 16-pin connector -T16g-**

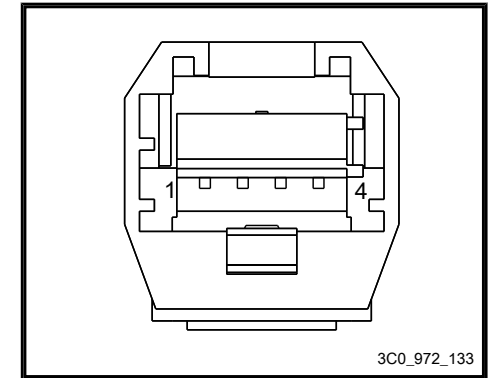
16-pin connector -T16g-



Cavity	Function	Cavity	Function
1	Power (30)	9	...
2	Ground (31)	10	...
3	CAN L	11	Signal (+) P/N switch
4	CAN H	12	...
5	Signal (+) Cruise control	13	...
6	Signal (+) Access start	14	Power (15)
7	Signal (+) I/P switch	15	...
8	LIN Bus	16	Power (15)

**1.19.3 4-pin connector -T4aw-**

4-pin connector -T4aw-



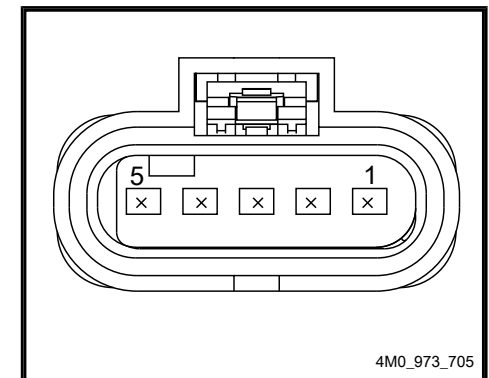
Cavity	Function	Cavity	Function
1	Signal (+) Driver airbag	3	...
2	Signal (-) Driver airbag	4	...

**1.20 Garage door opener control module -J530-**

◆ ⇒ ["1.20.1 5-pin connector T5ae", page 32](#)

**1.20.1 5-pin connector -T5ae-**

5-pin connector -T5ae-



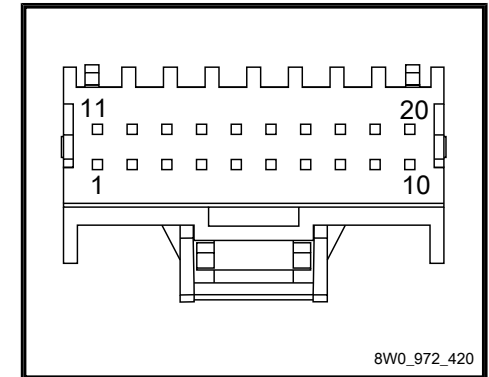
Cavity	Function	Cavity	Function
1	Power (30a)	4	Shielding antenna
2	Ground (31)	5	Signal control antenna
3	LIN Bus		

1.21 Data bus on board diagnostic interface -J533-

◆ ⇒ [“1.21.1 20-pin connector T20e”, page 33](#)

1.21.1 20-pin connector -T20e-

20-pin connector -T20e-



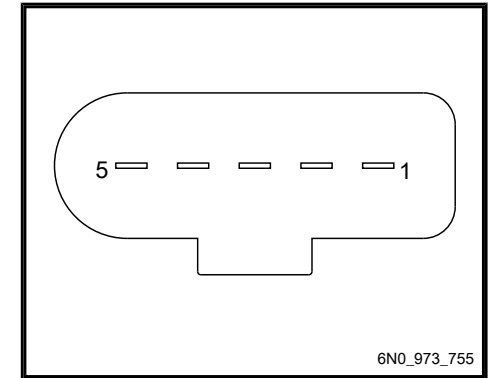
Cavity	Function	Cavity	Function
1	Power (30a)	11	Ground (31)
2	Power (30)	12	Ground (31)
3	LIN Bus	13	LIN Bus
4	...	14	Power (15a)
5	CAN L Comfort system	15	CAN H Comfort system
6	CAN L Powertrain	16	CAN H Powertrain
7	CAN L Extended	17	CAN H Extended
8	CAN L Suspension	18	CAN H Suspension
9	...	19	...
10	CAN L	20	CAN H

1.22 Fuel pump control module -J538-

◆ ⇒ [“1.22.1 5-pin connector T5f”, page 34](#)

1.22.1 5-pin connector -T5f-

5-pin connector -T5f-



Cavity	Function	Cavity	Function
1	Signal (+) Fuel pump	4	Ground (31)
2	Signal (-) Fuel pump	5	Control output PWM
3	Power (87a)		

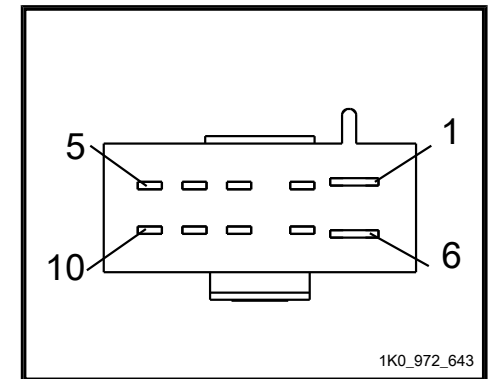
1.23 Rear lid control module -J605-

◆ ⇒ [“1.23.1 10-pin connector T10l”, page 34](#)

◆ ⇒ [“1.23.2 32-pin connector T32c”, page 35](#)

1.23.1 10-pin connector -T10l-

10-pin connector -T10l-

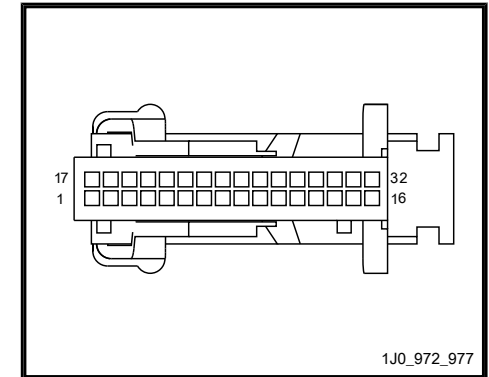


Cavity	Function	Cavity	Function
1	Power (30)	6	Ground (31)

2	Signal (+) Rear lid motor 1	7	...
3	Signal (+) Rear lid motor 2	8	...
4	Signal (-) Rear lid motor 1	9	Signal (-) Rear lid motor 2
5	Signal (-) Lid closing motor	10	Signal (+) Lid closing motor

**1.23.2 32-pin connector -T32c-**

32-pin connector -T32c-



Cavity	Function	Cavity	Function
1	...	17	...
2	...	18	...
3	...	19	...
4	...	20	...
5	Signal (-) Rear lid warning buzzer	21	Signal (+) Rear lid warning buzzer
6	...	22	...
7	Signal monitor rear lid closing aid	23	...
8	...	24	Signal monitor rear lid motor 2
9	...	25	Signal monitor rear lid motor 2
10	Ground rear lid motor 1	26	Signal monitor rear lid motor 1
11	Ground rear lid motor 2	27	Signal monitor rear lid motor 1
12	Signal (+) rear lid motor 2	28	Signal (+) rear lid motor 1
13	...	29	...
14	Signal monitor rear lid lock button	30	...
15	...	31	CAN L Comfort
16	...	32	CAN H Comfort

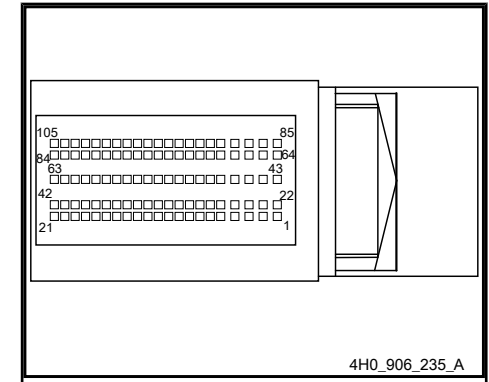
1.24 Engine control module -J623-

◆ ⇒ [“1.24.1 105-pin connector T105a”, page 36](#)

◆ ⇒ [“1.24.2 91-pin connector T91a”, page 36](#)

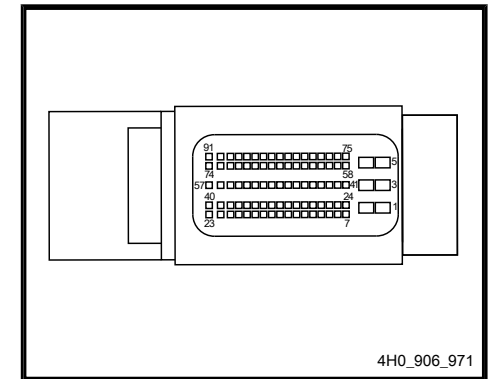
1.24.1 105-pin connector -T105a-

105-pin connector -T105a-



1.24.2 91-pin connector -T91a-

91-pin connector -T91a-



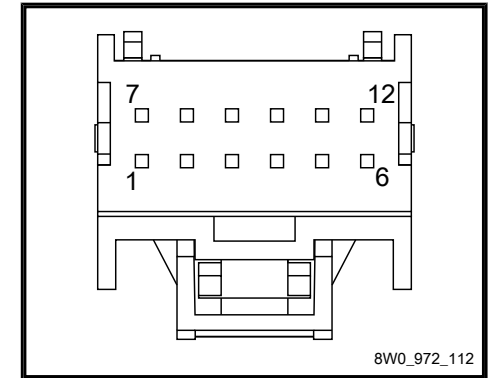
1.25 Front information display control head -J685-

◆ ⇒ [“1.25.1 12-pin connector T12c”, page 37](#)

◆ ⇒ [“1.25.2 5-pin connector T5m”, page 37](#)

**1.25.1 12-pin connector -T12c-**

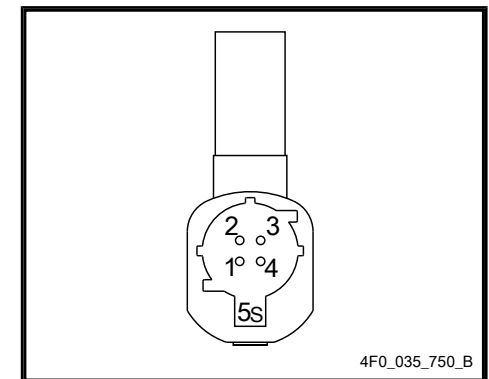
12-pin connector -T12c-



Cavity	Function	Cavity	Function
1	Power (30)	7	Ground (31)
2	...	8	...
3	CAN H	9	CAN L
4	...	10	...
5	Signal control	11	Signal control
6	...	12	...

**1.25.2 5-pin connector -T5m-**

5-pin connector -T5m-



Cavity	Function	Cavity	Function
1	LIN Ground	4	Signal (-) front
2	Signal (+) front	5	Shield



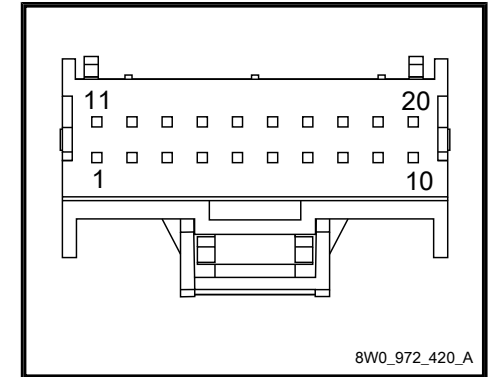
3	LIN Bus		
---	---------	--	--

**1.26 Cornering lamp and headlamp range control module -J745-**

◆ ⇒ [“1.26.1 20-pin connector T20i”, page 38](#)

**1.26.1 20-pin connector -T20i-**

20-pin connector -T20i-



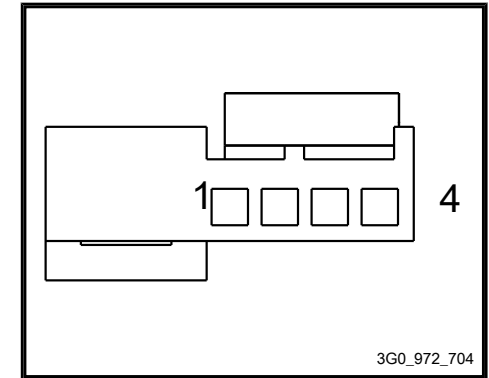
Cavity	Function	Cavity	Function
1	Power (30a)	11	Ground (31)
2	...	12	...
3	...	13	...
4	...	14	...
5	CAN L	15	CAN H
6	...	16	...
7	...	17	...
8	...	18	...
9	CAN L Comfort	19	CAN H Comfort
10	CAN L Extended	20	CAN H Extended

**1.27 Electronic steering column lock control module -J764-**

◆ ⇒ [“1.27.1 4-pin connector T4ax”, page 39](#)

1.27.1 4-pin connector -T4ax-

4-pin connector -T4ax-



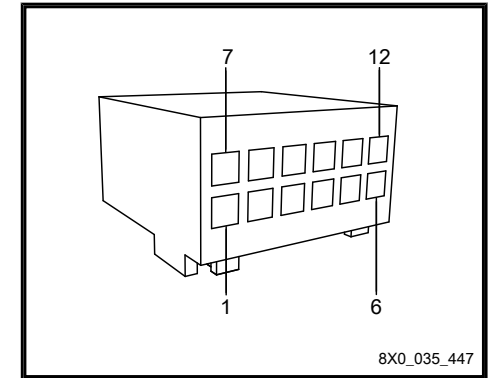
Cavity	Function	Cavity	Function
1	CAN H Comfort	3	Power (30)
2	CAN L Comfort	4	Ground (31)

1.28 Information electronics control module 1 -J794-

- ◆ ⇒ ["1.28.1 12-pin connector T12d", page 40](#)
- ◆ ⇒ ["1.28.2 12-pin connector T12e", page 40](#)
- ◆ ⇒ ["1.28.3 12-pin connector T12f", page 41](#)
- ◆ ⇒ ["1.28.4 2-pin connector T2bv", page 42](#)
- ◆ ⇒ ["1.28.5 2-pin connector T2dw", page 42](#)
- ◆ ⇒ ["1.28.6 2-pin connector T2dz", page 43](#)
- ◆ ⇒ ["1.28.7 4-pin connector T4bn", page 43](#)
- ◆ ⇒ ["1.28.8 5-pin connector T5k", page 44](#)
- ◆ ⇒ ["1.28.9 5-pin connector T5n", page 44](#)
- ◆ ⇒ ["1.28.10 8-pin connector T8ae", page 45](#)
- ◆ ⇒ ["1.28.11 8-pin connector T8af", page 45](#)

1.28.1 12-pin connector -T12d-

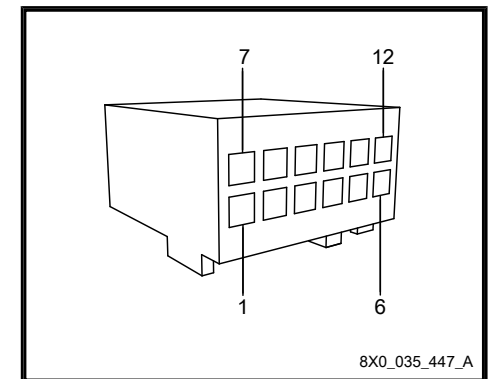
12-pin connector -T12d-



Cavity	Function	Cavity	Function
1	Signal (+) Microphone	7	Signal (-) Microphone
2	...	8	...
3	...	9	...
4	Signal (+) Emergency call module	10	Signal (-) Emergency call module
5	...	11	...
6	Signal (+) Camera composite line	12	Shield camera composite line

1.28.2 12-pin connector -T12e-

12-pin connector -T12e-

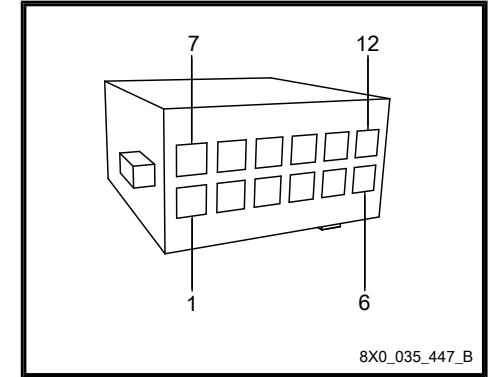


Cavity	Function	Cavity	Function
1	Ground line out	7	Signal (+) Left
2	Signal (+) Right	8	Ground (31)

3	Power (+5V)	9	...
4	Ground	10	...
5	...	11	...
6	...	12	...

**1.28.3 12-pin connector -T12f-**

12-pin connector -T12f-

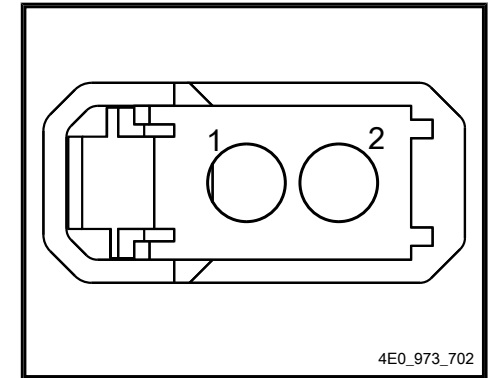


8X0\_035\_447\_B

Cavity	Function	Cavity	Function
1	CAN H	7	CAN L
2	Signal Control	8	Signal Control
3	...	9	...
4	...	10	...
5	...	11	...
6	CAN H Infotainment	12	CAN L Infotainment

1.28.4 2-pin connector -T2bv-

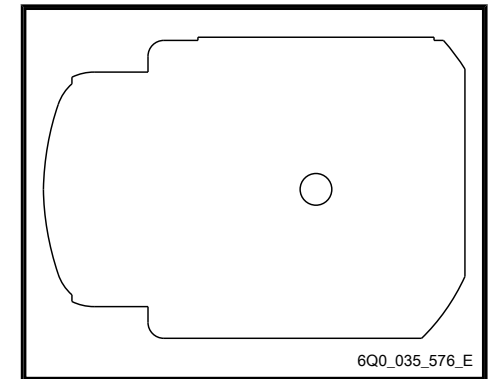
2-pin connector -T2bv-



Cavity	Function	Cavity	Function
1	MOST Bus Fiber optic cable	2	MOST Bus Fiber optic cable

1.28.5 2-pin connector -T2dw-

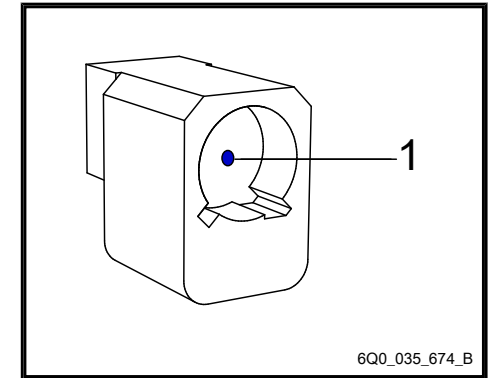
2-pin connector -T2dw-



Cavity	Function	Cavity	Function
1	Signal (+) GSM Antenna	2	Shield

1.28.6 2-pin connector -T2dz-

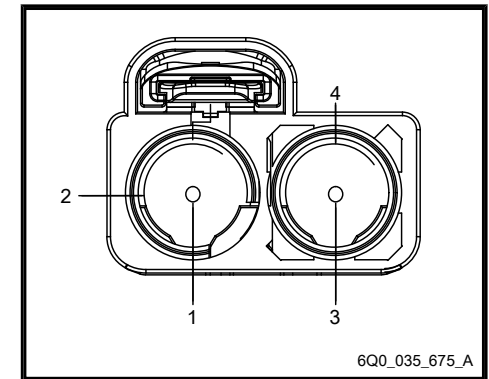
2-pin connector -T2dz-



Cavity	Function	Cavity	Function
1	Signal (+) GPS Antenna	2	Shield

1.28.7 4-pin connector -T4bn-

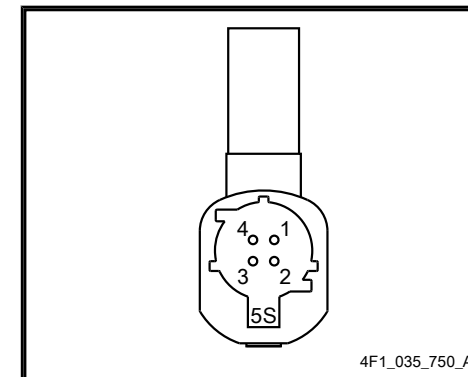
4-pin connector -T4bn-



Cavity	Function	Cavity	Function
1	Signal (+) Left antenna module FM2	3	Signal (+) Right antenna module AM/FM
2	Shield FM2	4	Shield AM/FM

1.28.8 5-pin connector -T5k-

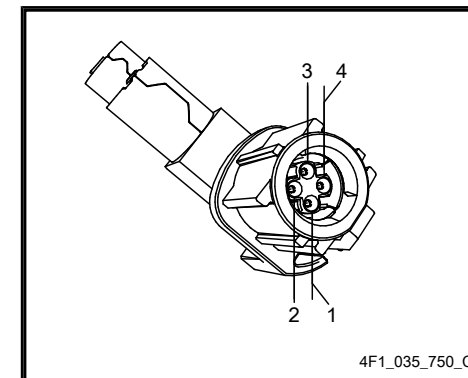
5-pin connector -T5k-



Cavity	Function	Cavity	Function
1	Signal (-) LVDS front	4	LIN ground
2	LIN Bus	5	Shield
3	Signal (+) LVDS front		

1.28.9 5-pin connector -T5n-

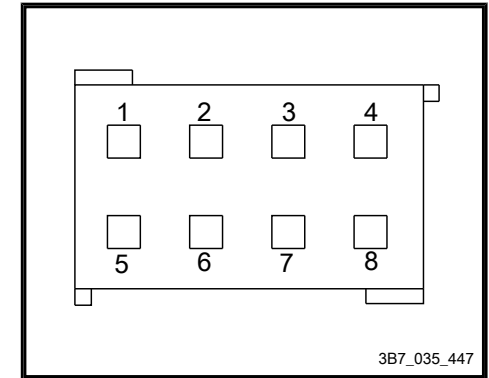
5-pin connector -T5n-



Cavity	Function	Cavity	Function
1	Signal (+) USB 1	4	Signal (+) USB 2
2	Signal (-) USB 2	5	Shield
3	Signal (-) USB 1		

1.28.10 8-pin connector -T8ae-

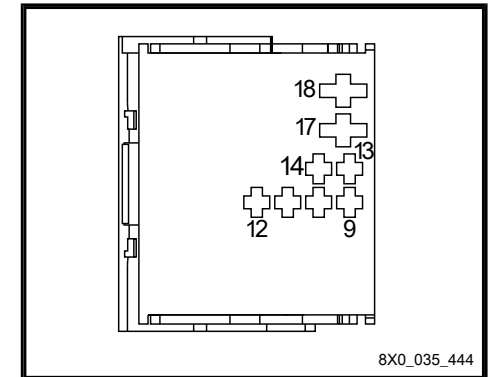
8-pin connector -T8ae-



Cavity	Function	Cavity	Function
1	Signal (+) RR Bass speaker	5	Signal (-) RR Bass speaker
2	Signal (+) RF Bass speaker	6	Signal (-) RF Bass speaker
3	Signal (+) LF Bass speaker	7	Signal (-) LF Bass speaker
4	Signal (+) LR Bass speaker	8	Signal (-) LR Bass speaker

1.28.11 8-pin connector -T8af-

8-pin connector -T8af-



Cavity	Function	Cavity	Function
9	...	13	...
10	...	14	...
11	...	17	Ground (31)
12	...	18	Power (30a)

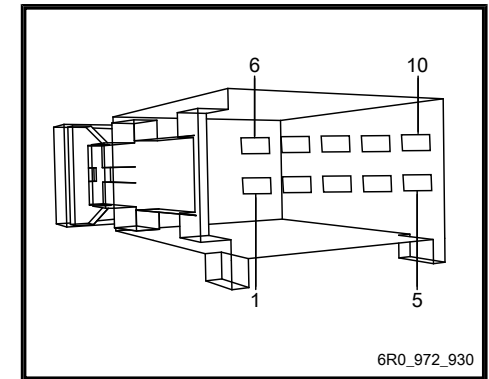


1.29 Driver seat adjustment control module -J810-

- ◆ ⇒ [“1.29.1 10-pin connector T10z”, page 46](#)
- ◆ ⇒ [“1.29.2 12-pin connector T12h”, page 47](#)
- ◆ ⇒ [“1.29.3 16-pin connector T16l”, page 47](#)
- ◆ ⇒ [“1.29.4 32-pin connector T32e”, page 48](#)

1.29.1 10-pin connector -T10z-

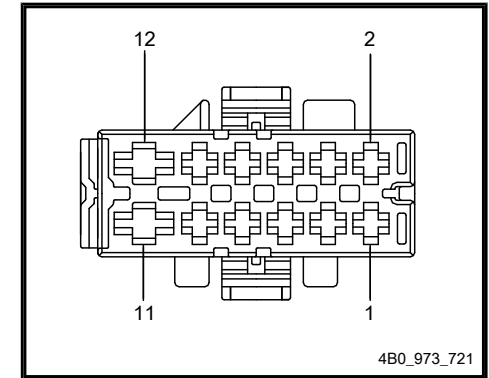
10-pin connector -T10z-



Cavity	Function	Cavity	Function
1	Ground (31)	6	...
2	...	7	Signal Monitor drivers backrest adjustment
3	...	8	Signal Monitor drivers seat height adjustment
4	...	9	Signal Monitor drivers tilt adjustment
5	...	10	Signal Monitor drivers seat back/forward adjustment

**1.29.2 12-pin connector -T12h-**

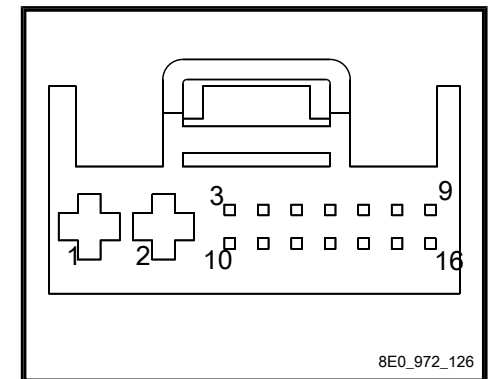
12-pin connector -T12h-



Cavity	Function	Cavity	Function
1	Signal (+/-) drivers backrest adjustment motor	7	Signal (+/-) drivers seat angle adjustment motor
2	...	8	Signal (+/-) drivers seat height adjustment motor
3	Signal (+/-) drivers seat height adjustment motor	9	Signal (+/-) drivers forward/back adjustment motor
4	...	10	Signal (+/-) drivers seat angle adjustment motor
5	Signal (+/-) drivers forward/back adjustment motor	11	Power (30a)
6	Signal (+/-) drivers backrest adjustment motor	12	Ground (31)

**1.29.3 16-pin connector -T16l-**

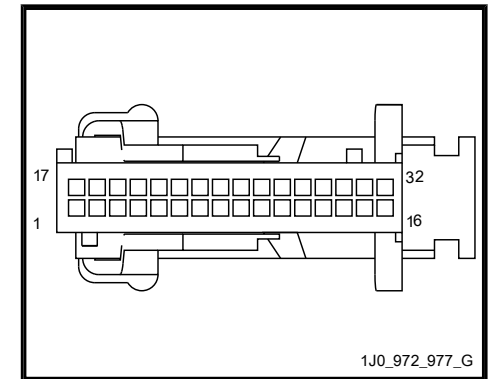
16-pin connector -T16l-



Cavity	Function	Cavity	Function
1	Signal Monitor driver lumbar position sensor	9	...
2	...	10	...

3	...	11	Signal (+/-) drivers lumbar motor
4	Ground drivers lumbar position sensor	12	Signal (+/-) drivers lumbar motor
5	...	13	...
6	...	14	...
7	...	15	...
8	...	16	...

1.29.4 32-pin connector -T32e-  
32-pin connector -T32e-



Cavity	Function	Cavity	Function
1	...	17	...
2	...	18	...
3	...	19	...
4	...	20	...
5	...	21	...
6	Signal Input drivers lumbar adjustment	22	Signal Input drivers backrest adjustment
7	...	23	Signal Input drivers height adjustment
8	...	24	Signal Input drivers angle adjustment
9	...	25	Signal Input drivers forward/back adjustment
10	Ground	26	...
11	Signal Input drivers memory button 2	27	Signal Input drivers memory button 4
12	Signal Input drivers memory button 1	28	Signal Input drivers memory button 3
13	...	29	...
14	...	30	...

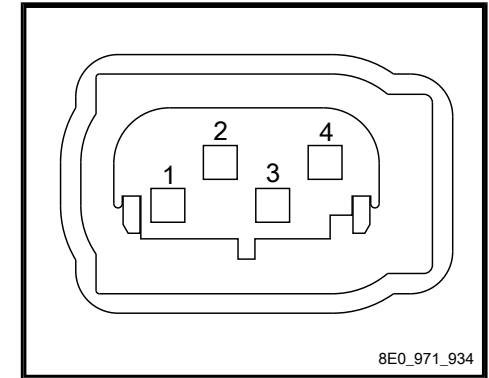
15	CAN L	31	...
16	CAN H	32	...

**1.30 Fuel tank leak detection control module -J909-**

◆ ⇒ [“1.30.1 4-pin connector T4bj”, page 49](#)

**1.30.1 4-pin connector -T4bj-**

4-pin connector -T4bj-



8E0\_971\_934

Cavity	Function	Cavity	Function
1	Signal (+) leak detection heater	3	Signal (+) leak detection vent
2	Signal (+) leak detection pump	4	Power (87a)

**1.31 Peripheral camera control module -J928-**

◆ ⇒ [“1.31.1 18-pin connector T18b”, page 50](#)

◆ ⇒ [“1.31.2 2-pin connector T2du”, page 50](#)

◆ ⇒ [“1.31.3 5-pin connector T5q”, page 51](#)

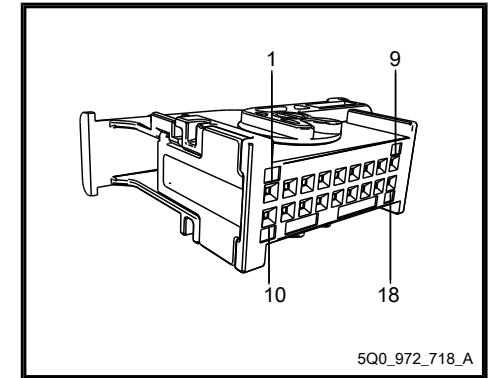
◆ ⇒ [“1.31.4 5-pin connector T5r”, page 51](#)

◆ ⇒ [“1.31.5 5-pin connector T5s”, page 52](#)

◆ ⇒ [“1.31.6 5-pin connector T5u”, page 52](#)

**1.31.1 18-pin connector -T18b-**

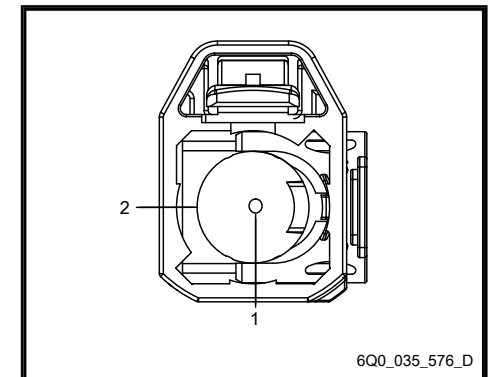
18-pin connector -T18b-



Cavity	Function	Cavity	Function
1	Power (30)	10	CAN-L
2	CAN-H	11	...
3	...	12	Ground (31)
4	Signal (+) Swing	13	...
5	...	14	...
6	...	15	...
7	...	16	...
8	...	17	...
9	Signal (shield) video	18	Signal (+) video in

**1.31.2 2-pin connector -T2du-**

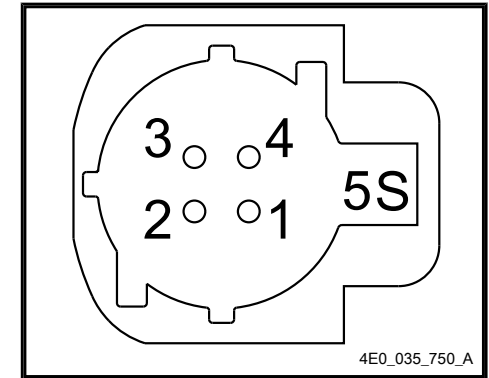
2-pin connector -T2du-



Cavity	Function	Cavity	Function
1	Data video out	2	Signal video out ground

**1.31.3 5-pin connector -T5q-**

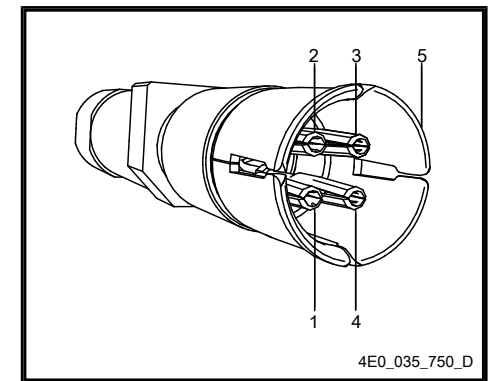
5-pin connector -T5q-



Cavity	Function	Cavity	Function
1	Ground (31)	4	Signal (+)
2	Signal (-)	5	Shield (if equipped)
3	Power		

**1.31.4 5-pin connector -T5r-**

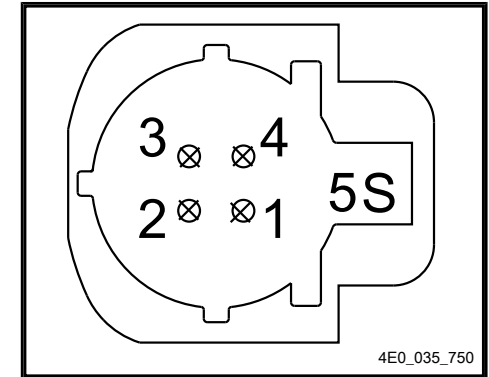
5-pin connector -T5r-



Cavity	Function	Cavity	Function
1	Ground (31)	4	Signal (+)

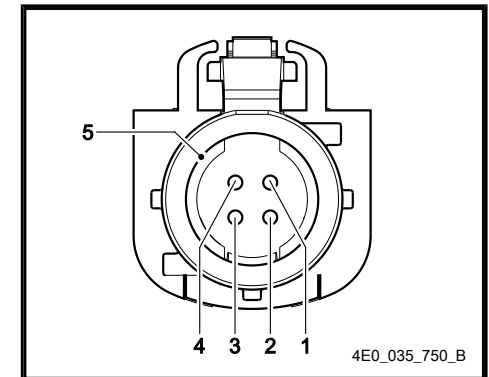
2	Signal (-)	5	Shield (if equipped)
3	Power		

**1.31.5 5-pin connector -T5s-**  
5-pin connector -T5s-



Cavity	Function	Cavity	Function
1	Ground (31)	4	Signal (+)
2	Signal (-)	5	Shield (if equipped)
3	Power		

**1.31.6 5-pin connector -T5u-**  
5-pin connector -T5u-



Cavity	Function	Cavity	Function
1	Ground (31)	4	Signal (+)

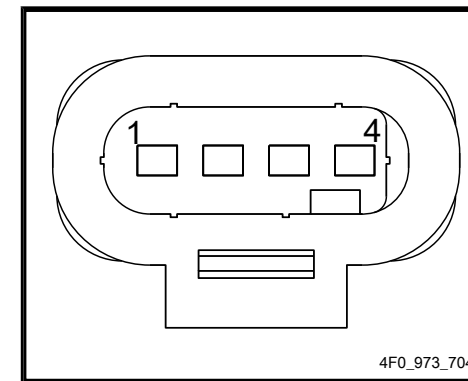
2	Signal (-)	5	Shield (if equipped)
3	Power		

**1.32 Rear lid opener control module -J938-**

◆ ⇒ ["1.32.1 4-pin connector T4aa", page 53](#)

**1.32.1 4-pin connector -T4aa-**

4-pin connector -T4aa-



Cavity	Function	Cavity	Function
1	Ground (31)	3	LIN Bus
2	...	4	Power (30a)

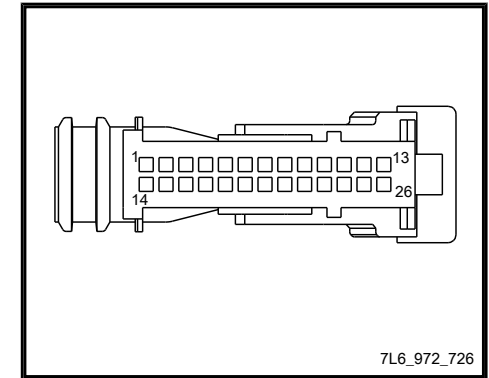
**1.33 Emergency communication control module -J949-**

◆ ⇒ ["1.33.1 26-pin connector T26b", page 54](#)



1.33.1 26-pin connector -T26b-

26-pin connector -T26b-



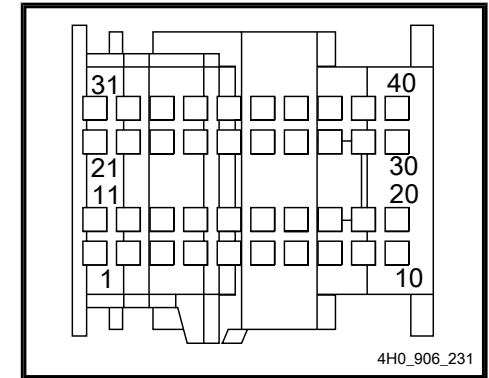
Cavity	Function	Cavity	Function
1	Power (30a)	14	CAN H Comfort
2	CAN L Comfort	15	...
3	Signal Input Airbag module	16	...
4	Signal (-) Microphone	17	Signal (+) Microphone
5	Signal (-) Microphone	18	Signal (+) Microphone
6	Signal Output Telematics button	19	Signal Output Telematics button
7	Signal Output Telematics button	20	Signal Output Telematics button
8	...	21	Signal Output (-) Emergency call (if equipped)
9	Signal Output (+) Emergency call (if equipped)	22	...
10	Signal Output Emergency Call module (if equipped)	23	...
11	Signal Output Emergency Call module (if equipped)	24	...
12	...	25	...
13	Power (58d)	26	Ground (31)

1.34 Access/start system interface -J965-

◆ ⇒ ["1.34.1 40-pin connector T40a", page 55](#)

1.34.1 40-pin connector -T40a-

40-pin connector -T40a-



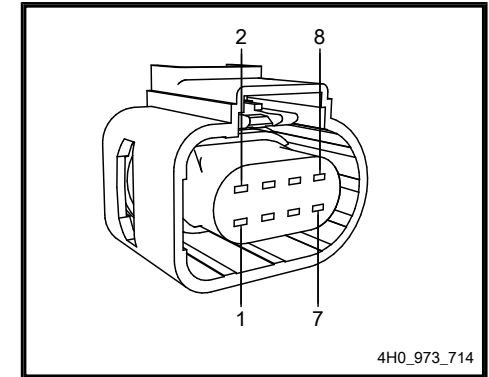
Cavity	Function	Cavity	Function
1	...	21	Signal (+) RF door handle
2	Power (30a)	22	Signal (+) LF door handle
3	Output Signal RR proximity sensor door handle	23	Signal Output R137
4	Signal (-) LR door handle	24	Signal (-) LF door handle
5	CAN L Comfort	25	Signal (+) LR door handle
6	CAN H Comfort	26	Control Output Wake-up J519
7	Control Input Start system button	27	Power (15)
8	Power (58) Start button illumination bulb	28	Signal (+) RR door handle
9	...	29	Signal (-) RR door handle
10	...	30	Power (30)
11	Output Signal LF proximity sensor door handle	31	Signal Output R136
12	Output Signal RF proximity sensor door handle	32	Signal (-) RF door handle
13	Output Signal LR proximity sensor door handle	33	Signal Output R137
14	...	34	Signal Output R136
15	Control Output start motor request	35	Power (15)
16	LIN Bus	36	Signal Output R138
17	Ground (31)	37	Signal Output R139
18	...	38	Signal Output R138
19	Control Input Start system button	39	Signal Output R139
20	...	40	Signal Output J519

1.35 Blind spot detection module -J1086-

◆ ⇒ ["1.35.1 8-pin connector T8ad", page 56](#)

1.35.1 8-pin connector -T8ad-

8-pin connector -T8ad-



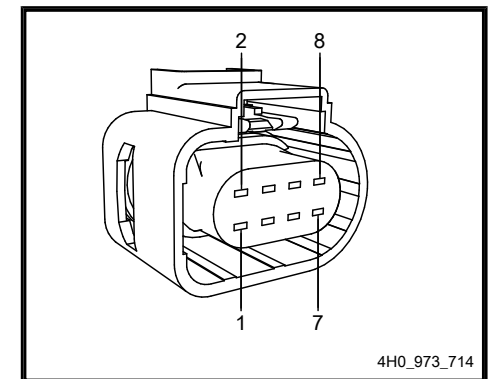
Cavity	Function	Cavity	Function
1	...	5	Ground (31)
2	...	6	CAN H
3	CAN H Extended (if equipped)	7	CAN L
4	CAN L Extended (if equipped)	8	Power (15a)

1.36 Blind spot detection control module 2 -J1087-

◆ ⇒ ["1.36.1 8-pin connector T8ae", page 56](#)

1.36.1 8-pin connector -T8ae-

8-pin connector -T8ae-



Cavity	Function	Cavity	Function
1	...	5	Ground (31)
2	...	6	CAN H
3	Signal (+) Passenger blindspot lamp in outside mirror	7	CAN L
4	Signal (+) Drivers blindspot lamp in outside mirror	8	Power (15a)

**1 Conn. View: Component w/ Prefix K to M**

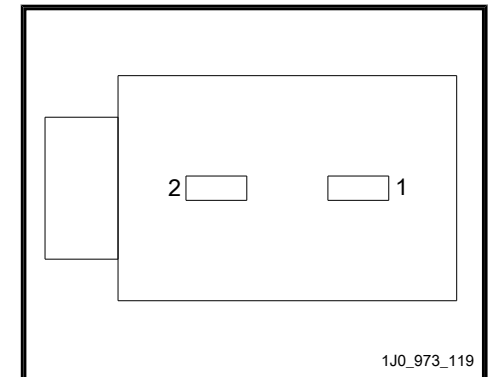
- ◆ ⇒ [“1.1 Central locking -SAFE- indicator lamp K133 ”, page 1](#)
- ◆ ⇒ [“1.2 Left front footwell lamp K268 ”, page 2](#)
- ◆ ⇒ [“1.3 Right front footwell lamp K269 ”, page 2](#)
- ◆ ⇒ [“1.4 Instrument cluster KX2 ”, page 3](#)
- ◆ ⇒ [“1.5 Left front fog lamp bulb L22 ”, page 4](#)
- ◆ ⇒ [“1.6 Right front fog lamp bulb L23 ”, page 5](#)
- ◆ ⇒ [“1.7 Cupholder illumination bulb L121 ”, page 6](#)
- ◆ ⇒ [“1.8 Center console illumination bulb L150 ”, page 6](#)
- ◆ ⇒ [“1.9 High-mounted brake lamp bulb M25 ”, page 7](#)
- ◆ ⇒ [“1.10 Left front headlamp MX1 ”, page 7](#)
- ◆ ⇒ [“1.11 Right front headlamp MX2 ”, page 8](#)
- ◆ ⇒ [“1.12 Left tail lamp MX3 ”, page 9](#)
- ◆ ⇒ [“1.13 Right tail lamp MX4 ”, page 10](#)
- ◆ ⇒ [“1.14 Left tail lamp 2 MX5 ”, page 11](#)
- ◆ ⇒ [“1.15 Right tail lamp 2 MX6 ”, page 12](#)

**1.1 Central locking -SAFE- indicator lamp -K133-**

- ◆ ⇒ [“1.1.1 2-pin connector T2x ”, page 1](#)

**1.1.1 2-pin connector -T2x-**

2-pin connector -T2x-



1J0\_973\_119

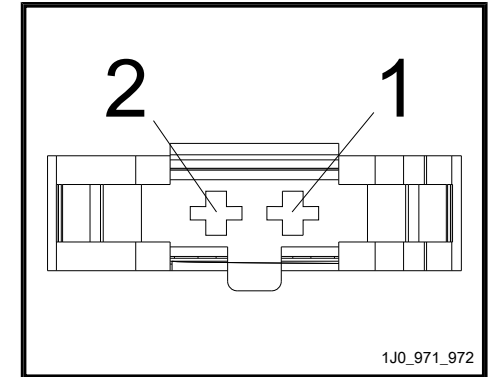
Cavity	Function	Cavity	Function
1	Ground	2	Signal (+)

**1.2 Left front footwell lamp -K268-**

◆ ⇒ ["1.2.1 2-pin connector T2bi", page 2](#)

**1.2.1 2-pin connector -T2bi-**

2-pin connector -T2bi-



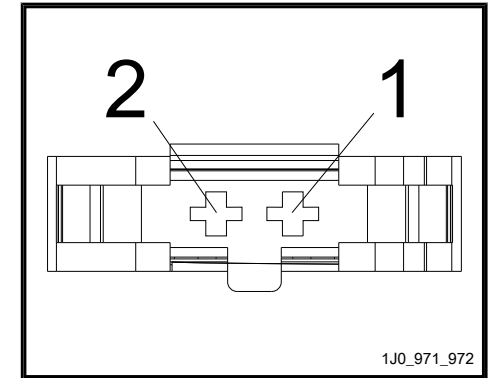
Cavity	Function	Cavity	Function
1	Ground	2	Signal (+)

**1.3 Right front footwell lamp -K269-**

◆ ⇒ ["1.3.1 2-pin connector T2bt", page 3](#)

1.3.1 2-pin connector -T2bt-

2-pin connector -T2bt-



Cavity	Function	Cavity	Function
1	Ground	2	Signal (+)

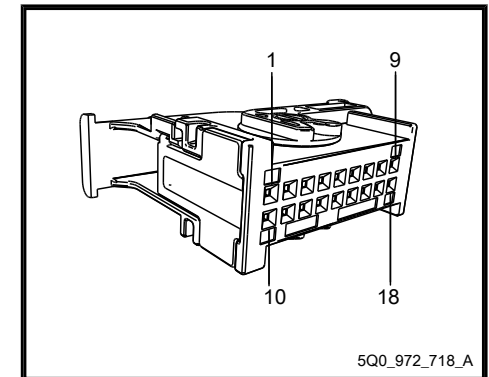
1.4 Instrument cluster -KX2-

◆ ⇒ [“1.4.1 18-pin connector T18a”, page 3](#)

◆ ⇒ [“1.4.2 2-pin connector T2bp”, page 4](#)

1.4.1 18-pin connector -T18a-

18-pin connector -T18a-

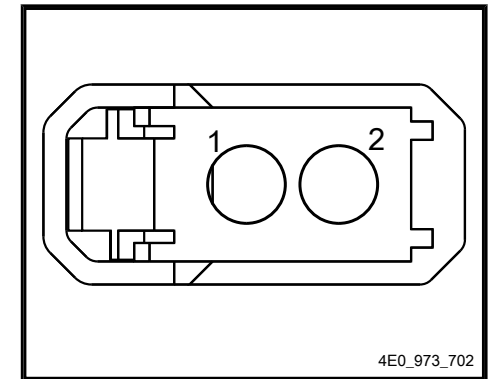


Cavity	Function	Cavity	Function
1	Power (30)	10	Ground (31)
2	...	11	Fuel level sensor signal ground (31)
3	...	12	...

4	Parking break data (if equipped)	13	...
5	Parking break data (if equipped)	14	Signal, fuel level, empty
6	...	15	Signal, fuel level, full
7	Signal, parking break (if equipped)	16	LIN
8	Ground (31) Anti-theft immobilizer reader coil	17	CAN L
9	Signal (+) Anti-theft immobilizer reader coil	18	CAN H

**1.4.2 2-pin connector -T2bp-**

2-pin connector -T2bp-



Cavity	Function	Cavity	Function
1	MOST BUS input (if equipped)	2	MOST BUS output (if equipped)

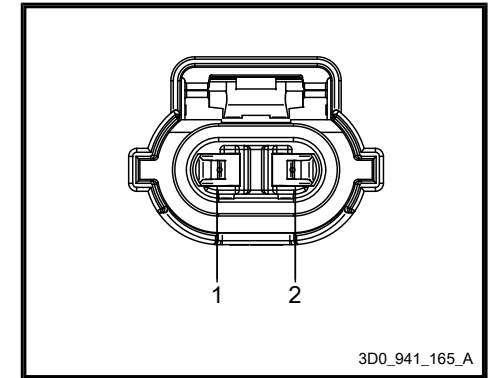
**1.5 Left front fog lamp bulb -L22-**

◆ ⇒ ["1.5.1 2-pin connector T2a", page 5](#)



1.5.1 2-pin connector -T2a-

2-pin connector -T2a-



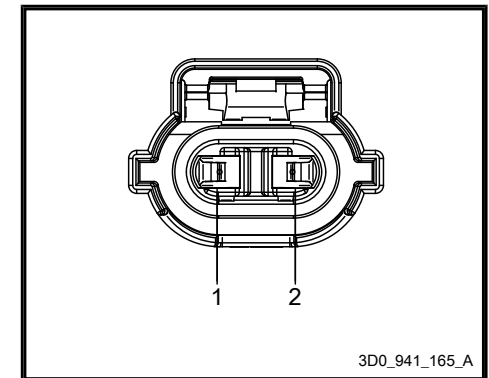
Cavity	Function	Cavity	Function
1	Ground (31)	2	Signal (+)

1.6 Right front fog lamp bulb -L23-

◆ ⇒ ["1.6.1 2-pin connector T2b", page 5](#)

1.6.1 2-pin connector -T2b-

2-pin connector -T2b-



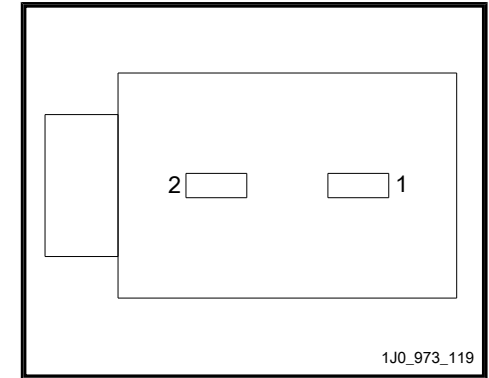
Cavity	Function	Cavity	Function
1	Ground (31)	2	Signal (+)

1.7 Cupholder illumination bulb -L121-

◆ ⇒ ["1.7.1 2-pin connector T2aw", page 6](#)

1.7.1 2-pin connector -T2aw-

2-pin connector -T2aw-



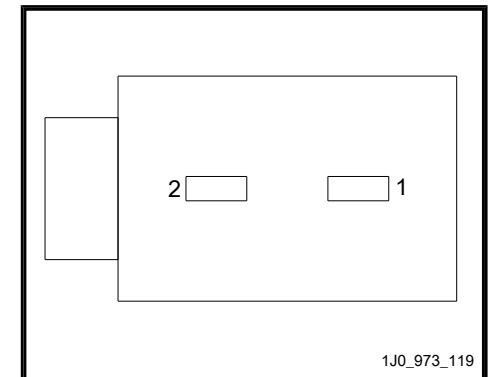
Cavity	Function	Cavity	Function
1	Ground (31)	2	Power (58d)

1.8 Center console illumination bulb -L150-

◆ ⇒ ["1.8.1 2-pin connector T2av", page 6](#)

1.8.1 2-pin connector -T2av-

2-pin connector -T2av-



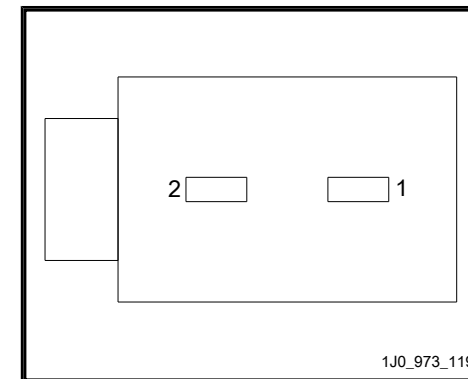
Cavity	Function	Cavity	Function
1	Ground (31)	2	Power (58d)

1.9 High-mounted brake lamp bulb -M25-

◆ ⇒ [“1.9.1 2-pin connector T2ce”, page 7](#)

1.9.1 2-pin connector -T2ce-

2-pin connector -T2ce-



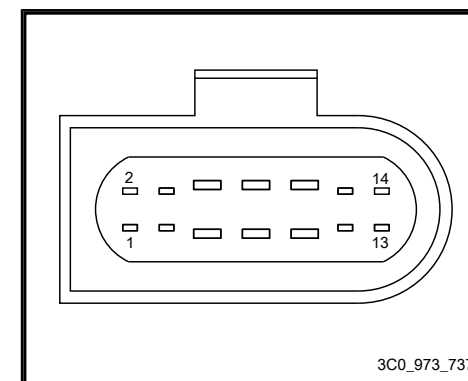
Cavity	Function	Cavity	Function
1	Ground (31)	2	Signal (+)

1.10 Left front headlamp -MX1-

◆ ⇒ [“1.10.1 14-pin connector T14p”, page 7](#)

1.10.1 14-pin connector -T14p-

14-pin connector -T14p-



Cavity	Function	Cavity	Function

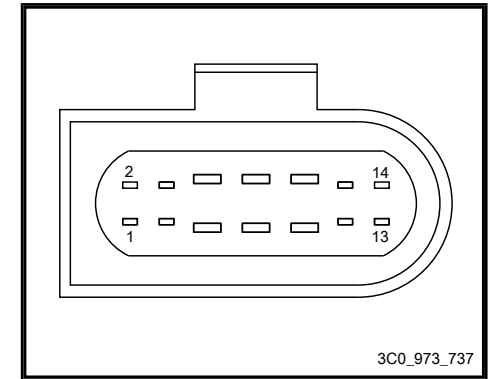
1	CAN H	8	Power (15)
2	CAN L	9	...
3	...	10	...
4	Power (15) (if equipped)	11	Power (56a)
5	Ground (31)	12	...
6	Power (56b)	13	...
7	Ground (31)	14	...

**1.11 Right front headlamp -MX2-**

◆ ⇒ ["1.11.1 14-pin connector T14s", page 8](#)

**1.11.1 14-pin connector -T14s-**

14-pin connector -T14s-



3C0\_973\_737

Cavity	Function	Cavity	Function
1	CAN H	8	Power (15)
2	CAN L	9	...
3	...	10	...
4	Power (15) (if equipped)	11	Power (56a)
5	Ground (31)	12	...
6	Power (56b)	13	...
7	Ground (31)	14	...

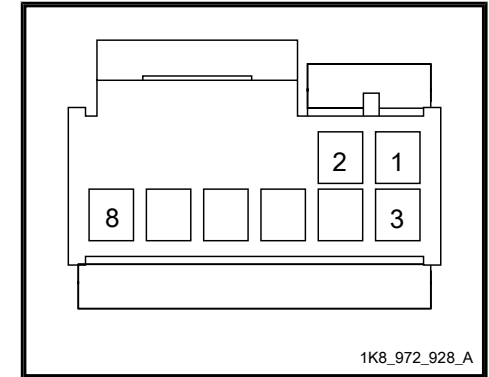
1.12 Left tail lamp -MX3-

◆ ⇒ "1.12.1 8-pin connector T8w ", page 9

◆ ⇒ "1.12.2 8-pin connector T8z ", page 9

1.12.1 8-pin connector -T8w-

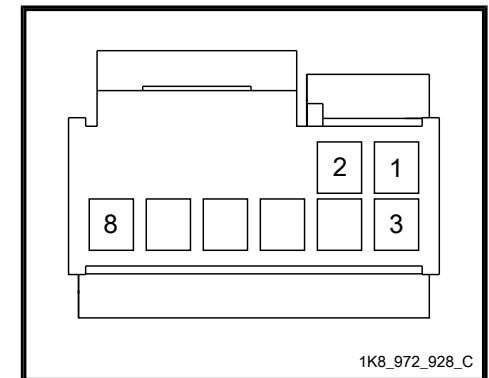
8-pin connector -T8w-



Cavity	Function	Cavity	Function
1	...	5	...
2	...	6	Signal (+)
3	Ground (31)	7	...
4	Power (58)	8	Signal (+)

1.12.2 8-pin connector -T8z-

8-pin connector -T8z-



Cavity	Function	Cavity	Function

1	...	5	Signal (+)
2	...	6	Signal (+)
3	Ground (31)	7	...
4	Control Output	8	Signal (+)

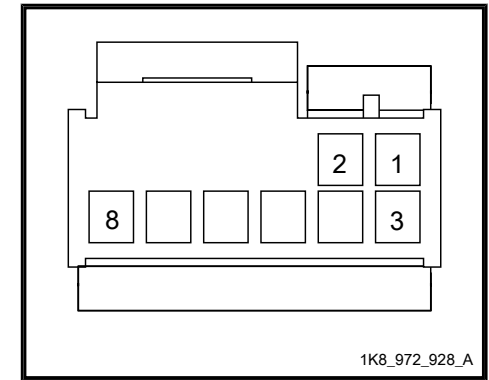
1.13 Right tail lamp -MX4-

◆ ⇒ ["1.13.1 8-pin connector T8aa", page 10](#)

◆ ⇒ ["1.13.2 8-pin connector T8ac", page 11](#)

1.13.1 8-pin connector -T8aa-

8-pin connector -T8aa-

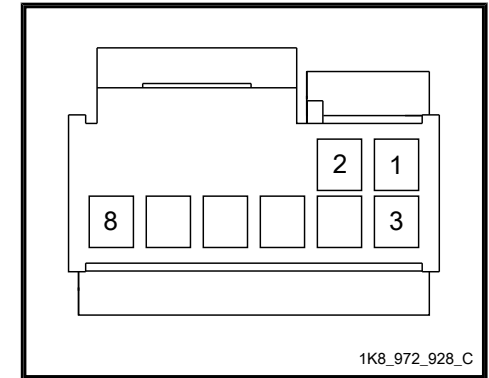


Cavity	Function	Cavity	Function
1	...	5	...
2	...	6	Signal (+)
3	Ground (31)	7	...
4	Power (58)	8	Signal (+)

1.13.2 8-pin connector -T8ac-

8-pin connector -T8ac-

Cavity	Function	Cavity	Function
1	...	5	Signal (+)
2	...	6	Signal (+)
3	Ground (31)	7	...
4	Control Output	8	Signal (+)

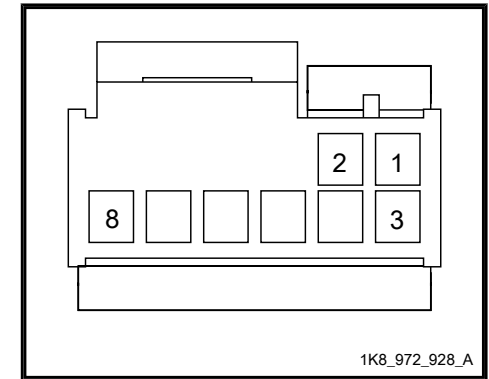


1.14 Left tail lamp 2 -MX5-

- ◆ ⇒ ["1.14.1 8-pin connector T8d", page 11](#)
- ◆ ⇒ ["1.14.2 8-pin connector T8e", page 12](#)

1.14.1 8-pin connector -T8d-

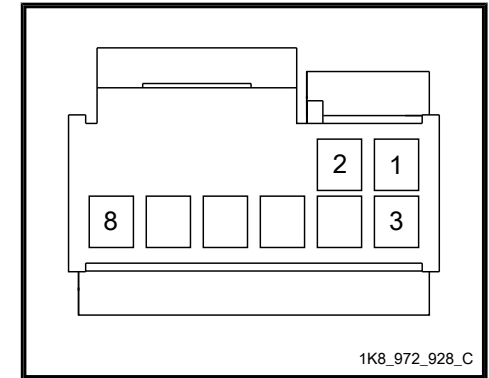
8-pin connector -T8d-



Cavity	Function	Cavity	Function
1	...	5	...
2	...	6	...
3	Ground (31)	7	Signal (+)
4	Power (58)	8	...

**1.14.2 8-pin connector -T8e-**

8-pin connector -T8e-



Cavity	Function	Cavity	Function
1	...	5	Signal (+)
2	...	6	...
3	Ground (31)	7	Control Output
4	Power (58)	8	...

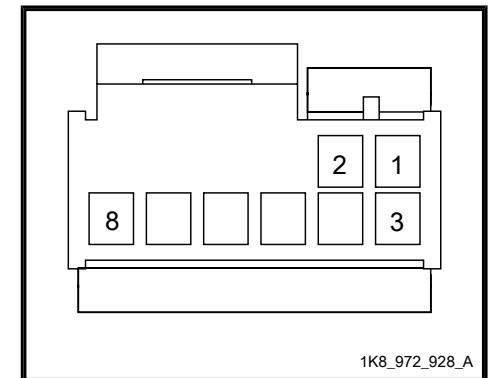
**1.15 Right tail lamp 2 -MX6-**

◆ ⇒ ["1.15.1 8-pin connector T8a", page 12](#)

◆ ⇒ ["1.15.2 8-pin connector T8b", page 13](#)

**1.15.1 8-pin connector -T8a-**

8-pin connector -T8a-



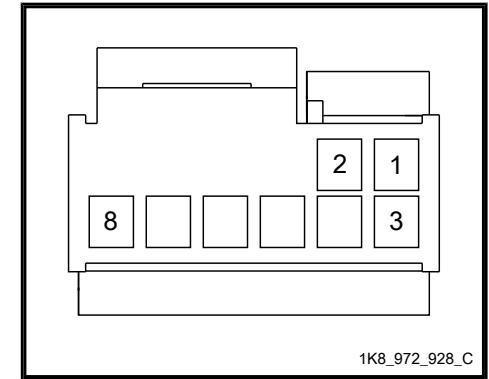
Cavity	Function	Cavity	Function



1	...	5	...
2	...	6	...
3	Ground (31)	7	Signal (+)
4	Power (58)	8	...

**1.15.2 8-pin connector -T8b-**

8-pin connector -T8b-



Cavity	Function	Cavity	Function
1	...	5	Signal (+)
2	...	6	...
3	Ground (31)	7	Control Output
4	Power (58)	8	...

## 1 Conn. View: Component w/ Prefix N

- ◆ ⇒ [“1.1 Cylinder 1 fuel injector N30 ”, page 2](#)
- ◆ ⇒ [“1.2 Cylinder 2 fuel injector N31 ”, page 2](#)
- ◆ ⇒ [“1.3 Cylinder 3 fuel injector N32 ”, page 3](#)
- ◆ ⇒ [“1.4 Cylinder 4 fuel injector N33 ”, page 4](#)
- ◆ ⇒ [“1.5 Ignition coil 1 with power output stage N70 ”, page 4](#)
- ◆ ⇒ [“1.6 Positive crankcase ventilation heating element N79 ”, page 5](#)
- ◆ ⇒ [“1.7 EVAP canister purge regulator valve 1 N80 ”, page 5](#)
- ◆ ⇒ [“1.8 Coolant shut-off valve N82 ”, page 6](#)
- ◆ ⇒ [“1.9 Cylinder 5 fuel injector N83 ”, page 6](#)
- ◆ ⇒ [“1.10 Cylinder 6 fuel injector N84 ”, page 7](#)
- ◆ ⇒ [“1.11 Ignition coil 2 with power output stage N127 ”, page 8](#)
- ◆ ⇒ [“1.12 Driver seat belt tensioner igniter 1 N153 ”, page 8](#)
- ◆ ⇒ [“1.13 Front passenger seat belt tensioner igniter 1 N154 ”, page 9](#)
- ◆ ⇒ [“1.14 Driver thorax airbag igniter N199 ”, page 11](#)
- ◆ ⇒ [“1.15 Front passenger thorax airbag igniter N200 ”, page 12](#)
- ◆ ⇒ [“1.16 Camshaft adjustment valve 1 N205 ”, page 12](#)
- ◆ ⇒ [“1.17 Coolant circulation valve N214 ”, page 13](#)
- ◆ ⇒ [“1.18 Driver head curtain airbag igniter N251 ”, page 13](#)
- ◆ ⇒ [“1.19 Front passenger head curtain airbag igniter N252 ”, page 14](#)
- ◆ ⇒ [“1.20 Fuel pressure regulator valve N276 ”, page 14](#)
- ◆ ⇒ [“1.21 Heater coolant shut-off valve N279 ”, page 15](#)
- ◆ ⇒ [“1.22 A/C compressor regulator valve N280 ”, page 16](#)
- ◆ ⇒ [“1.23 Ignition coil 3 with power output stage N291 ”, page 16](#)
- ◆ ⇒ [“1.24 Ignition coil 4 with power output stage N292 ”, page 17](#)
- ◆ ⇒ [“1.25 Intake manifold runner control valve N316 ”, page 17](#)

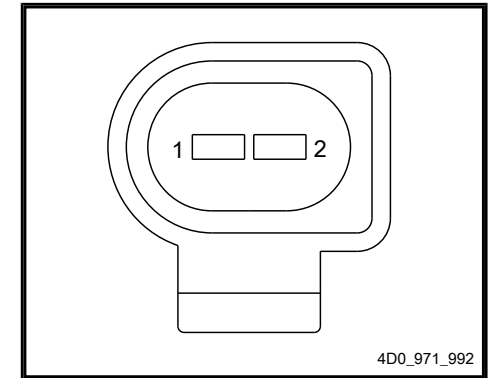
- ◆ ⇒ [“1.26 Exhaust camshaft adjustment valve 1 N318 ”, page 18](#)
- ◆ ⇒ [“1.27 Ignition coil 5 with power output stage N323 ”, page 19](#)
- ◆ ⇒ [“1.28 Ignition coil 6 with power output stage N324 ”, page 19](#)
- ◆ ⇒ [“1.29 Compressor magnetic clutch N421 ”, page 20](#)
- ◆ ⇒ [“1.30 Cylinder block coolant valve N545 ”, page 20](#)
- ◆ ⇒ [“1.31 Transmission NX1 ”, page 21](#)
- ◆ ⇒ [“1.32 Front passenger airbag unit NX3 ”, page 22](#)

**1.1 Cylinder 1 fuel injector -N30-**

- ◆ ⇒ [“1.1.1 2-pin connector T2fj ”, page 2](#)

**1.1.1 2-pin connector -T2fj-**

2-pin connector -T2fj-



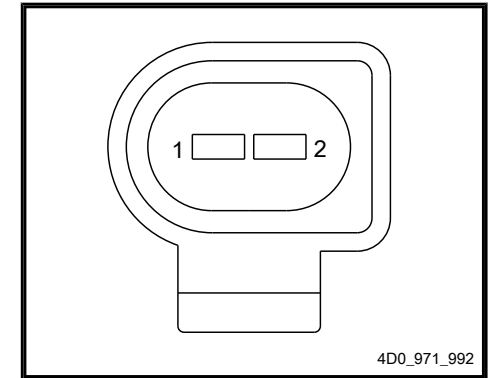
Cavity	Function	Cavity	Function
1	Ground (31)	2	Signal (+)

**1.2 Cylinder 2 fuel injector -N31-**

- ◆ ⇒ [“1.2.1 2-pin connector T2fk ”, page 3](#)

1.2.1 2-pin connector -T2fk-

2-pin connector -T2fk-



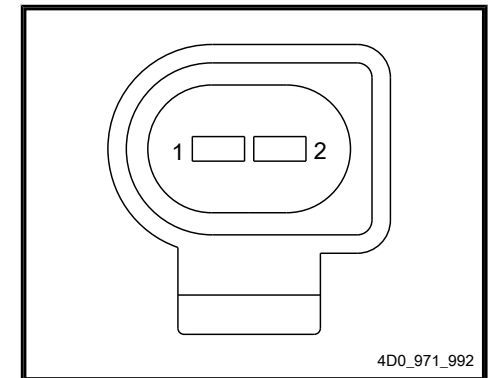
Cavity	Function	Cavity	Function
1	Ground (31)	2	Signal (+)

1.3 Cylinder 3 fuel injector -N32-

◆ ⇒ ["1.3.1 2-pin connector T2fi", page 3](#)

1.3.1 2-pin connector -T2fi-

2-pin connector -T2fi-



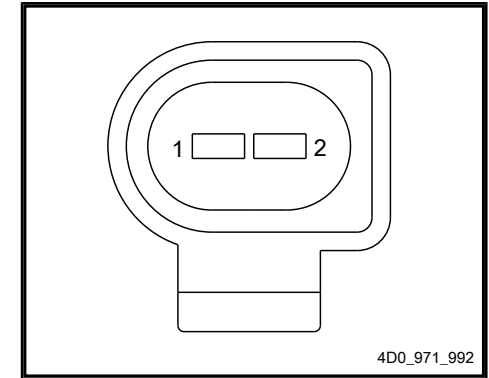
Cavity	Function	Cavity	Function
1	Ground (31)	2	Signal (+)

1.4 Cylinder 4 fuel injector -N33-

◆ ⇒ ["1.4.1 2-pin connector T2fl", page 4](#)

1.4.1 2-pin connector -T2fl-

2-pin connector -T2fl-



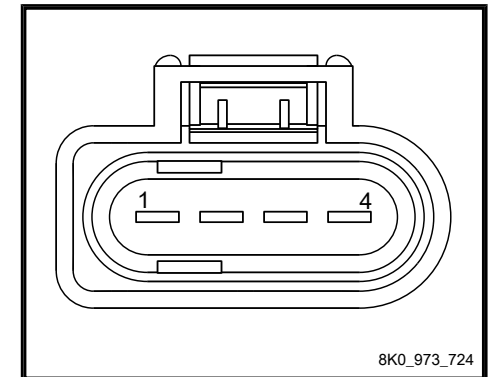
Cavity	Function	Cavity	Function
1	Ground (31)	2	Signal (+)

1.5 Ignition coil 1 with power output stage -N70-

◆ ⇒ ["1.5.1 4-pin connector T4ca", page 4](#)

1.5.1 4-pin connector -T4ca-

4-pin connector -T4ca-



Cavity	Function	Cavity	Function
1	Ground (31)	3	Power (87a)

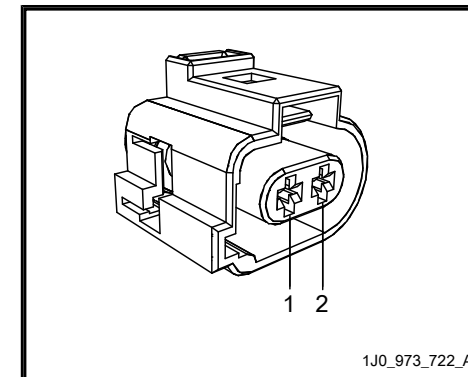
2	Ground (31)	4	Signal Control (+)
---	-------------	---	--------------------

1.6 Positive crankcase ventilation heating element -N79-

◆ ⇒ ["1.6.1 2-pin connector T2ft", page 5](#)

1.6.1 2-pin connector -T2ft-

2-pin connector -T2ft-



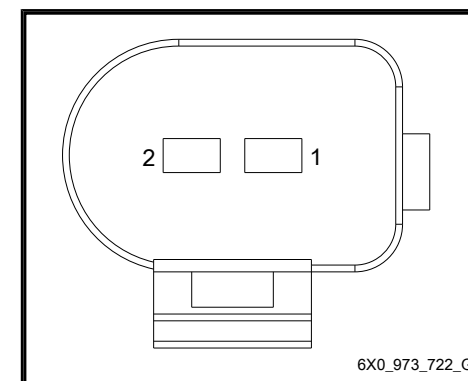
Cavity	Function	Cavity	Function
1	Power (87a)	2	Signal (-)

1.7 EVAP canister purge regulator valve 1 -N80-

◆ ⇒ ["1.7.1 2-pin connector T2fu", page 5](#)

1.7.1 2-pin connector -T2fu-

2-pin connector -T2fu-



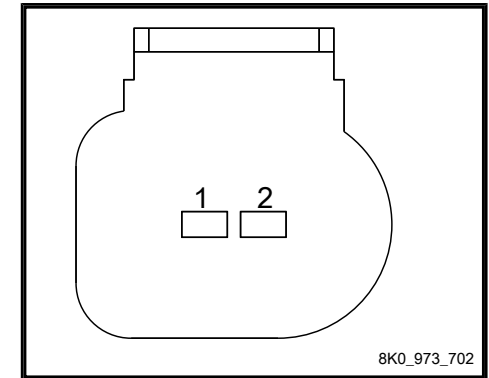
Cavity	Function	Cavity	Function
1	Power (87a)	2	Signal (-)

**1.8 Coolant shut-off valve -N82-**

◆ ⇒ ["1.8.1 2-pin connector T2fq", page 6](#)

**1.8.1 2-pin connector -T2fq-**

2-pin connector -T2fq-



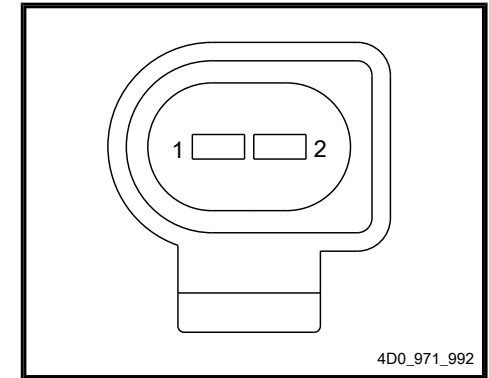
Cavity	Function	Cavity	Function
1	Power (87a)	2	Signal (-)

**1.9 Cylinder 5 fuel injector -N83-**

◆ ⇒ ["1.9.1 2-pin connector T2fh", page 7](#)

1.9.1 2-pin connector -T2fh-

2-pin connector -T2fh-



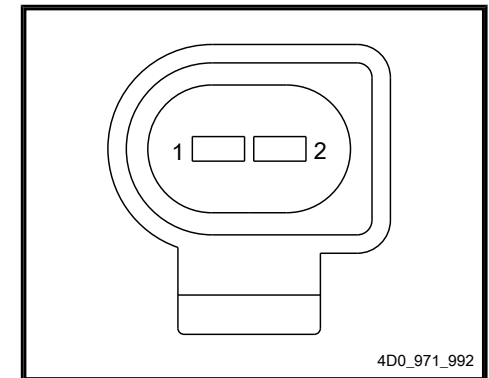
Cavity	Function	Cavity	Function
1	Ground (31)	2	Signal (+)

1.10 Cylinder 6 fuel injector -N84-

◆ ⇒ ["1.10.1 2-pin connector T2fm", page 7](#)

1.10.1 2-pin connector -T2fm-

2-pin connector -T2fm-



Cavity	Function	Cavity	Function
1	Ground (31)	2	Signal (+)

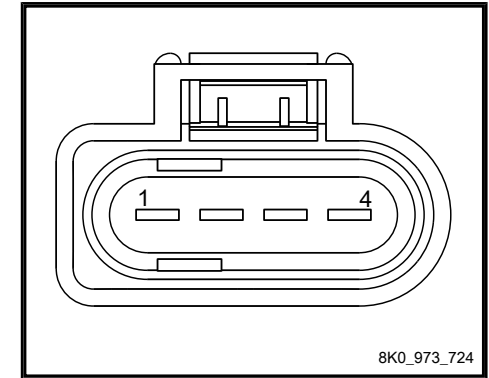


1.11 Ignition coil 2 with power output stage -N127-

◆ ⇒ [“1.11.1 4-pin connector T4cb”, page 8](#)

1.11.1 4-pin connector -T4cb-

4-pin connector -T4cb-



Cavity	Function	Cavity	Function
1	Ground (31)	3	Power (87a)
2	Ground (31)	4	Signal Control (+)

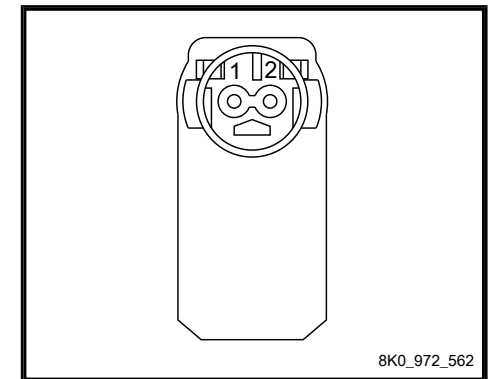
1.12 Driver seat belt tensioner igniter 1 -N153-

◆ ⇒ [“1.12.1 2-pin connector T2ck”, page 8](#)

◆ ⇒ [“1.12.2 2-pin connector T2cl”, page 9](#)

1.12.1 2-pin connector -T2ck-

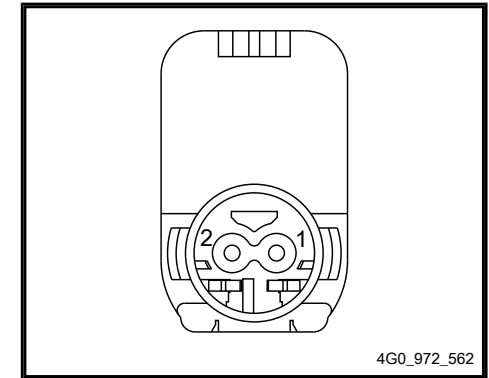
2-pin connector -T2ck-



Cavity	Function	Cavity	Function
1	Control Input (-)	2	Control Input (+)

**1.12.2 2-pin connector -T2cl-**

2-pin connector -T2cl-



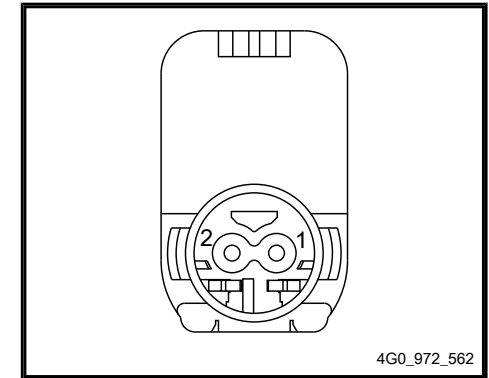
Cavity	Function	Cavity	Function
1	Signal (-)	2	Signal (+)

**1.13 Front passenger seat belt tensioner igniter 1 -N154-**

- ◆ ⇒ [“1.13.1 2-pin connector T2cn”, page 10](#)
- ◆ ⇒ [“1.13.2 2-pin connector T2co”, page 10](#)
- ◆ ⇒ [“1.13.3 2-pin connector T2cp”, page 11](#)

1.13.1 2-pin connector -T2cn-

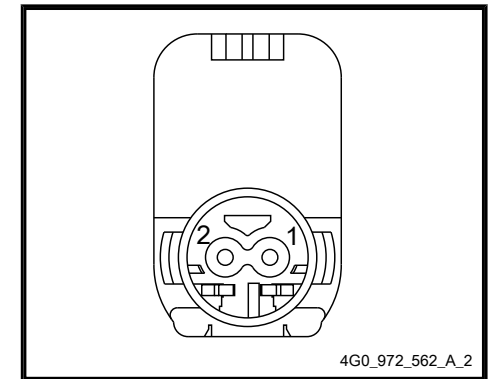
2-pin connector -T2cn-



Cavity	Function	Cavity	Function
1	Signal (-)	2	Signal (+)

1.13.2 2-pin connector -T2co-

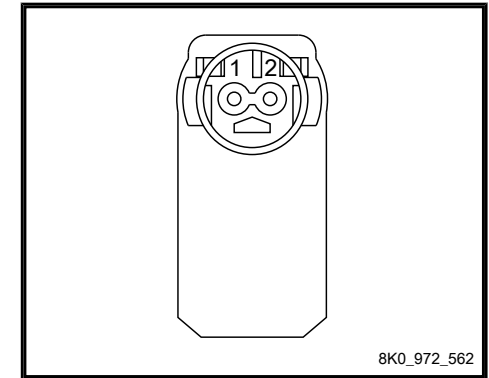
2-pin connector -T2co-



Cavity	Function	Cavity	Function
1	Signal (-)	2	Signal (+)

1.13.3 2-pin connector -T2cp-

2-pin connector -T2cp-



8K0\_972\_562

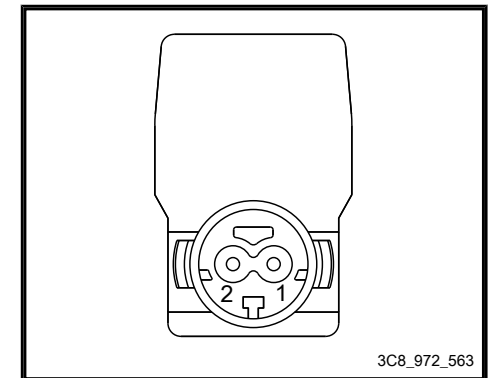
Cavity	Function	Cavity	Function
1	Control Input (-)	2	Control Input (+)

1.14 Driver thorax airbag igniter -N199-

◆ ⇒ ["1.14.1 3-pin connector T3ay", page 11](#)

1.14.1 3-pin connector -T3ay-

3-pin connector -T3ay-



3C8\_972\_563

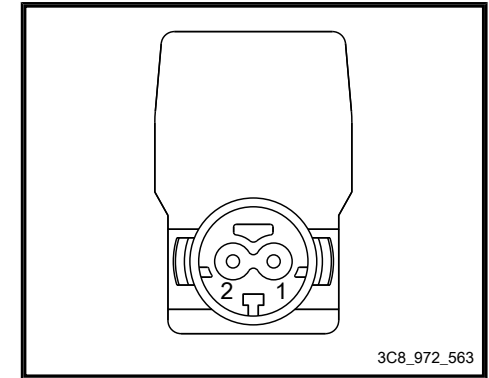
Cavity	Function	Cavity	Function
1	Signal (-)	3	Ground (31)
2	Signal (+)		

**1.15 Front passenger thorax airbag igniter -N200-**

◆ ⇒ ["1.15.1 3-pin connector T3db", page 12](#)

**1.15.1 3-pin connector -T3db-**

3-pin connector -T3db-



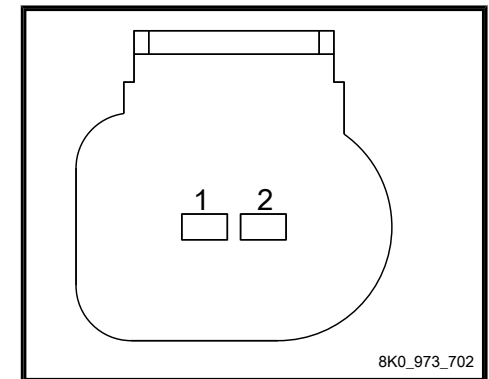
Cavity	Function	Cavity	Function
1	Signal (-)	3	Ground (31)
2	Signal (+)		

**1.16 Camshaft adjustment valve 1 -N205-**

◆ ⇒ ["1.16.1 2-pin connector T2fs", page 12](#)

**1.16.1 2-pin connector -T2fs-**

2-pin connector -T2fs-



Cavity	Function	Cavity	Function

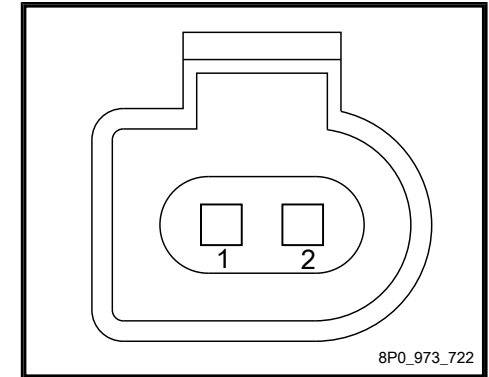
1	Power (87a)	2	Signal (-)
---	-------------	---	------------

**1.17 Coolant circulation valve -N214-**

◆ ⇒ ["1.17.1 2-pin connector T2fx", page 13](#)

**1.17.1 2-pin connector -T2fx-**

2-pin connector -T2fx-



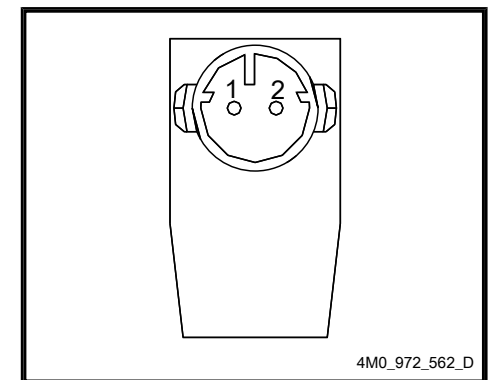
Cavity	Function	Cavity	Function
1	Power (87a)	2	Signal (-)

**1.18 Driver head curtain airbag igniter -N251-**

◆ ⇒ ["1.18.1 2-pin connector T2ar", page 13](#)

**1.18.1 2-pin connector -T2ar-**

2-pin connector -T2ar-



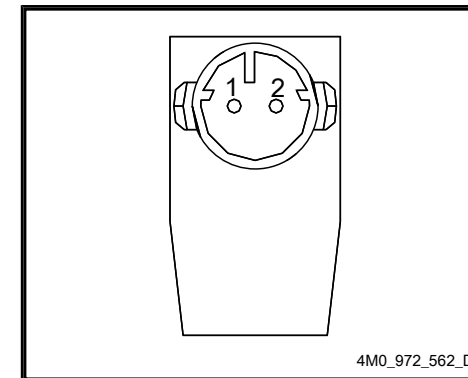
Cavity	Function	Cavity	Function
1	Signal (-)	2	Signal (+)

**1.19 Front passenger head curtain airbag igniter -N252-**

◆ ⇒ ["1.19.1 2-pin connector T2as", page 14](#)

**1.19.1 2-pin connector -T2as-**

2-pin connector -T2as-



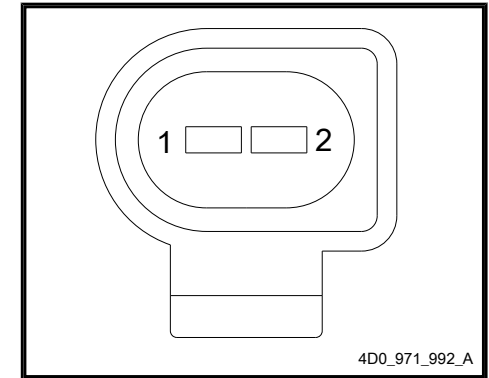
Cavity	Function	Cavity	Function
1	Signal (-)	2	Signal (+)

**1.20 Fuel pressure regulator valve -N276-**

◆ ⇒ ["1.20.1 2-pin connector T2fn", page 15](#)

1.20.1 2-pin connector -T2fn-

2-pin connector -T2fn-



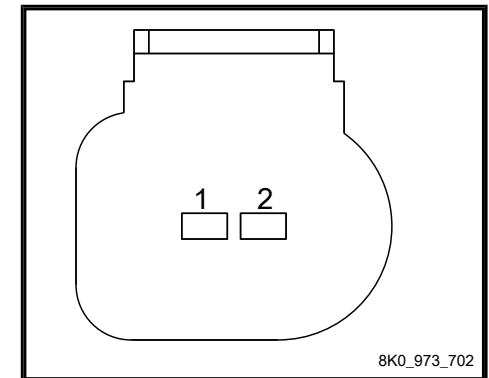
Cavity	Function	Cavity	Function
1	Signal (+)	2	Signal (-)

1.21 Heater coolant shut-off valve -N279-

◆ ⇒ ["1.21.1 2-pin connector T2db", page 15](#)

1.21.1 2-pin connector -T2db-

2-pin connector -T2db-



Cavity	Function	Cavity	Function
1	TBD	2	TBD

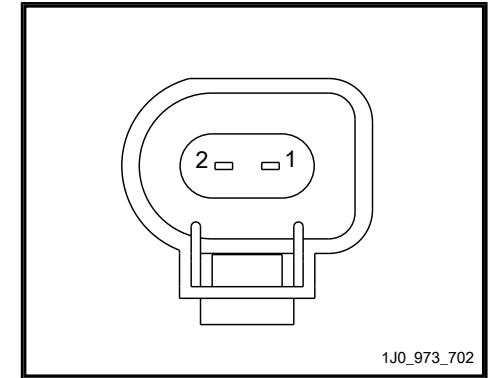


**1.22 A/C compressor regulator valve -N280-**

◆ ⇒ ["1.22.1 2-pin connector T2gd", page 16](#)

**1.22.1 2-pin connector -T2gd-**

2-pin connector -T2gd-



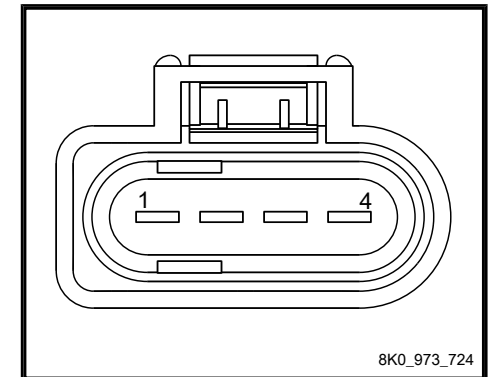
Cavity	Function	Cavity	Function
1	Signal (+)	2	Ground (31)

**1.23 Ignition coil 3 with power output stage -N291-**

◆ ⇒ ["1.23.1 4-pin connector T4cc", page 16](#)

**1.23.1 4-pin connector -T4cc-**

4-pin connector -T4cc-



Cavity	Function	Cavity	Function
1	Ground (31)	3	Power (87a)

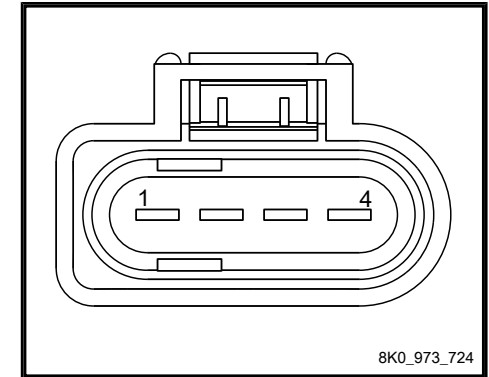
2	Ground (31)	4	Signal Control (+)
---	-------------	---	--------------------

**1.24 Ignition coil 4 with power output stage -N292-**

◆ ⇒ ["1.24.1 4-pin connector T4cd", page 17](#)

**1.24.1 4-pin connector -T4cd-**

4-pin connector -T4cd-



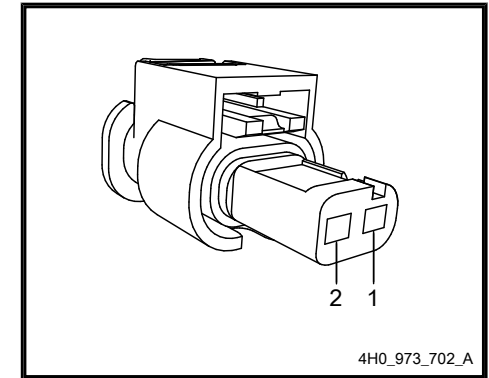
Cavity	Function	Cavity	Function
1	Ground (31)	3	Power (87a)
2	Ground (31)	4	Signal Control (+)

**1.25 Intake manifold runner control valve -N316-**

◆ ⇒ ["1.25.1 2-pin connector T2fv", page 18](#)

1.25.1 2-pin connector -T2fv-

2-pin connector -T2fv-



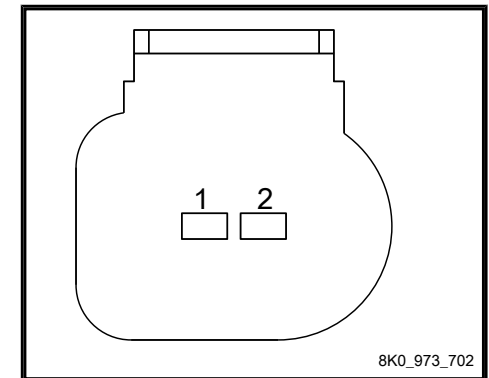
Cavity	Function	Cavity	Function
1	Power (87a)	2	Signal (-)

1.26 Exhaust camshaft adjustment valve 1 -N318-

◆ ⇒ ["1.26.1 2-pin connector T2fw", page 18](#)

1.26.1 2-pin connector -T2fw-

2-pin connector -T2fw-



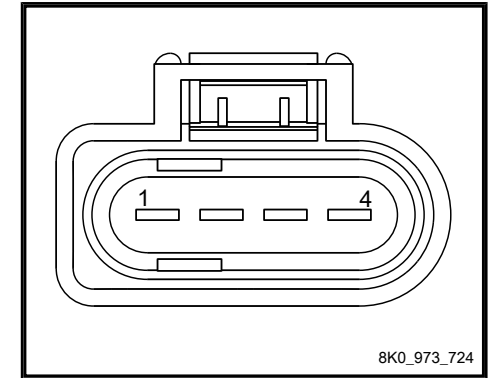
Cavity	Function	Cavity	Function
1	Power (87a)	2	Signal (-)

**1.27 Ignition coil 5 with power output stage -N323-**

◆ ⇒ ["1.27.1 4-pin connector T4ce", page 19](#)

**1.27.1 4-pin connector -T4ce-**

4-pin connector -T4ce-



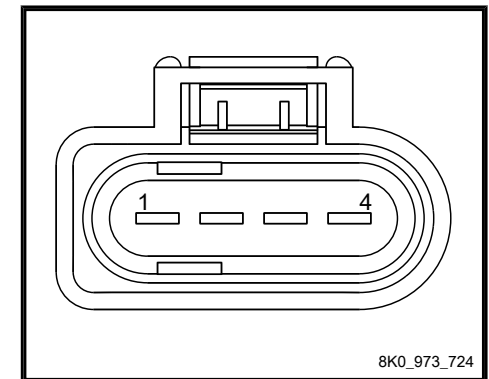
Cavity	Function	Cavity	Function
1	Ground (31)	3	Power (87a)
2	Ground (31)	4	Signal Control (+)

**1.28 Ignition coil 6 with power output stage -N324-**

◆ ⇒ ["1.28.1 4-pin connector T4cf", page 19](#)

**1.28.1 4-pin connector -T4cf-**

4-pin connector -T4cf-



Cavity	Function	Cavity	Function
1	Ground (31)	3	Power (87a)

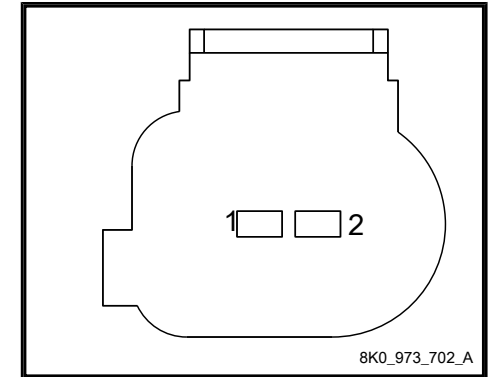
2	Ground (31)	4	Signal Control (+)
---	-------------	---	--------------------

1.29 Compressor magnetic clutch -N421-

◆ ⇒ ["1.29.1 2-pin connector T2gc", page 20](#)

1.29.1 2-pin connector -T2gc-

2-pin connector -T2gc-



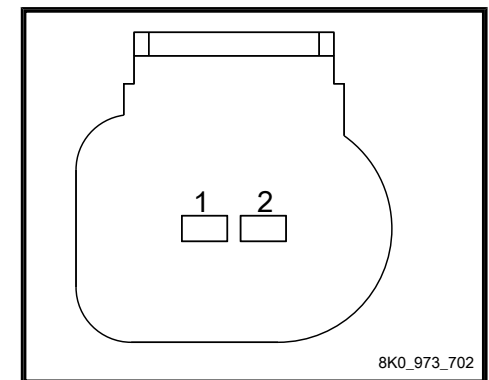
Cavity	Function	Cavity	Function
1	Power (30a)	2	Ground (31)

1.30 Cylinder block coolant valve -N545-

◆ ⇒ ["1.30.1 2-pin connector T2fr", page 20](#)

1.30.1 2-pin connector -T2fr-

2-pin connector -T2fr-



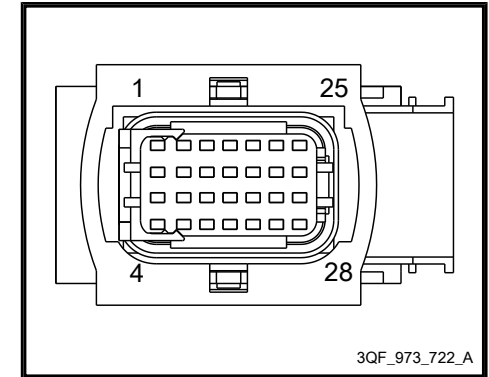
Cavity	Function	Cavity	Function
1	Power (87a)	2	Signal (-)

### 1.31 Transmission -NX1-

◆ ⇒ ["1.31.1 28-pin connector T28a", page 21](#)

#### 1.31.1 28-pin connector -T28a-

28-pin connector -T28a-



Cavity	Function	Cavity	Function
1	Signal (+) OT	15	Signal (+) SLU
2	Signal (-) OT	16	Signal (-) SLU
3	...	17	Signal (+) Solenoid Valve 4
4	...	18	Signal (-) Solenoid Valve 4
5	Signal (+) Solenoid Valve 1	19	Signal (+) EMOP
6	Signal (-) Solenoid Valve 1	20	Signal (-) EMOP
7	Signal S1	21	Signal (+) Solenoid Valve 5
8	Signal S2	22	Signal (-) Solenoid Valve 5
9	Signal (+) Solenoid Valve 2	23	Signal (+) NOUT
10	Signal (-) Solenoid Valve 2	24	Signal (-) NOUT
11	Signal (+) SLT	25	Signal (+) NIN
12	Signal (-) SLT	26	Signal (-) NIN
13	Signal (+) Solenoid Valve 3	27	...
14	Signal (-) Solenoid Valve 3	28	...

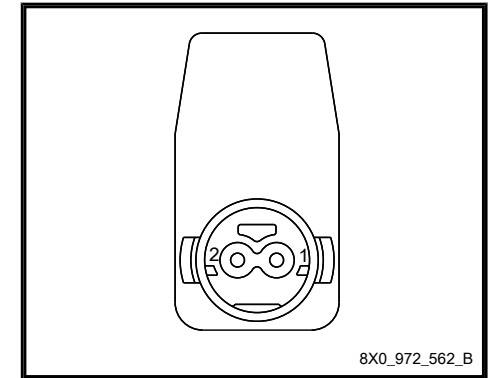
1.32 Front passenger airbag unit -NX3-

◆ ⇒ ["1.32.1 2-pin connector T2bs"](#), page 22

◆ ⇒ ["1.32.2 3-pin connector T3ab"](#), page 22

1.32.1 2-pin connector -T2bs-

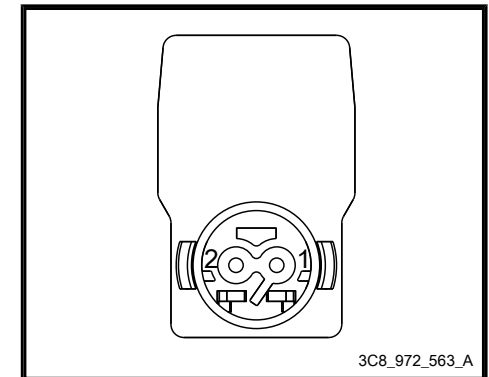
2-pin connector -T2bs-



Cavity	Function	Cavity	Function
1	Signal (-)	2	Signal (+)

1.32.2 3-pin connector -T3ab-

3-pin connector -T3ab-



Cavity	Function	Cavity	Function
1	Signal (-)	3	Ground (31)

2	Signal (+)		
---	------------	--	--



## 1 Conn. View: Component w/ Prefix R

- ◆ ⇒ [“1.1 Antenna R11 ”, page 2](#)
- ◆ ⇒ [“1.2 Left rear treble speaker R14 ”, page 2](#)
- ◆ ⇒ [“1.3 Left rear bass speaker R15 ”, page 3](#)
- ◆ ⇒ [“1.4 Right rear treble speaker R16 ”, page 4](#)
- ◆ ⇒ [“1.5 Right rear bass speaker R17 ”, page 5](#)
- ◆ ⇒ [“1.6 Left front treble speaker R20 ”, page 6](#)
- ◆ ⇒ [“1.7 Left front bass speaker R21 ”, page 7](#)
- ◆ ⇒ [“1.8 Right front treble speaker R22 ”, page 8](#)
- ◆ ⇒ [“1.9 Right front bass speaker R23 ”, page 9](#)
- ◆ ⇒ [“1.10 Telephone microphone R38 ”, page 10](#)
- ◆ ⇒ [“1.11 Navigation system interface R94 ”, page 10](#)
- ◆ ⇒ [“1.12 Access/start system antenna in rear bumper R136 ”, page 11](#)
- ◆ ⇒ [“1.13 Access/start system antenna in luggage compartment R137 ”, page 12](#)
- ◆ ⇒ [“1.14 Access/start system antenna 1 in vehicle interior R138 ”, page 12](#)
- ◆ ⇒ [“1.15 Access/start system antenna 2 in vehicle interior R139 ”, page 13](#)
- ◆ ⇒ [“1.16 Auxiliary coolant heater radio frequency receiver R149 ”, page 13](#)
- ◆ ⇒ [“1.17 AM frequency filter R177 ”, page 14](#)
- ◆ ⇒ [“1.18 External audio source connection R199 ”, page 14](#)
- ◆ ⇒ [“1.19 Center speaker R208 ”, page 15](#)
- ◆ ⇒ [“1.20 Left effects speaker R209 ”, page 16](#)
- ◆ ⇒ [“1.21 Right effects speaker R210 ”, page 16](#)
- ◆ ⇒ [“1.22 Subwoofer R211 ”, page 17](#)
- ◆ ⇒ [“1.23 Driver assistance systems front camera R242 ”, page 17](#)
- ◆ ⇒ [“1.24 Front peripheral camera R243 ”, page 18](#)
- ◆ ⇒ [“1.25 Storage compartment with cell phone interface R265 ”, page 18](#)

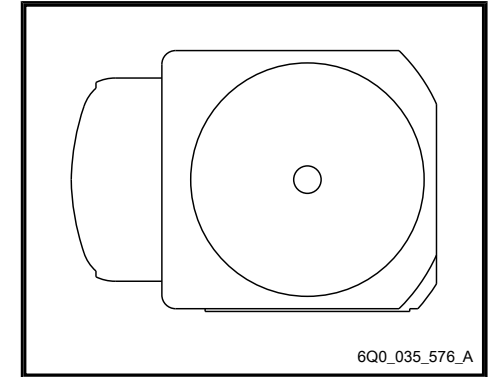
- ◆ ⇒ [“1.26 USB distributor R293 ”, page 19](#)
- ◆ ⇒ [“1.27 Emergency call module speaker R335 ”, page 21](#)
- ◆ ⇒ [“1.28 Roof antenna RX5 ”, page 22](#)

**1.1 Antenna -R11-**

- ◆ ⇒ [“1.1.1 2-pin connector T2dx ”, page 2](#)

**1.1.1 2-pin connector -T2dx-**

2-pin connector -T2dx-



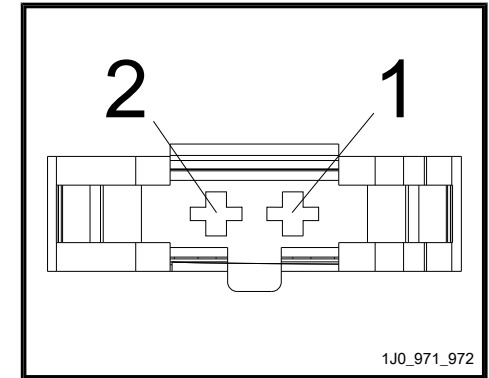
Cavity	Function	Cavity	Function
1	TBD	2	TBD

**1.2 Left rear treble speaker -R14-**

- ◆ ⇒ [“1.2.1 2-pin connector T2t ”, page 3](#)
- ◆ ⇒ [“1.2.2 2-pin connector T2u w/ Subwoofer ”, page 3](#)

1.2.1 2-pin connector -T2t-

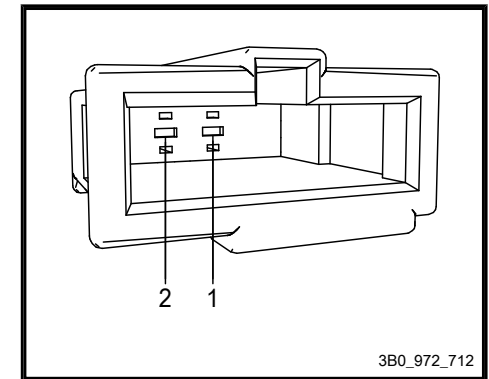
2-pin connector -T2t-



Cavity	Function	Cavity	Function
1	Signal (+)	2	Signal (-)

1.2.2 2-pin connector -T2u- w/ Subwoofer

2-pin connector -T2u-



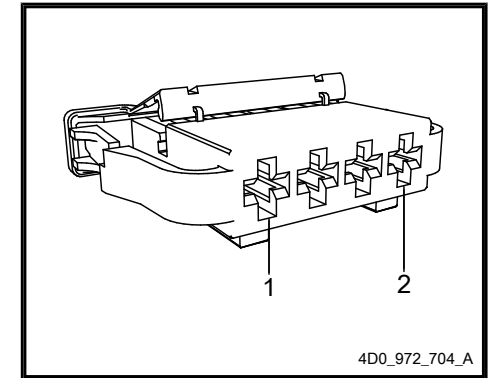
Cavity	Function	Cavity	Function
1	Signal (+)	2	Signal (-)

1.3 Left rear bass speaker -R15-

◆ ⇒ ["1.3.1 4-pin connector T4p", page 4](#)

1.3.1 4-pin connector -T4p-

4-pin connector -T4p-



4D0\_972\_704\_A

Cavity	Function	Cavity	Function
1	Signal (-)	3	Signal (+)
2	Signal (-)	4	Signal (+)

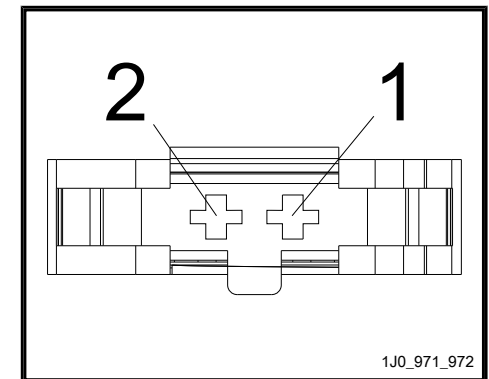
1.4 Right rear treble speaker -R16-

◆ ⇒ ["1.4.1 2-pin connector T2v"](#), page 4

◆ ⇒ ["1.4.2 2-pin connector T2w w/ Subwoofer"](#), page 5

1.4.1 2-pin connector -T2v-

2-pin connector -T2v-

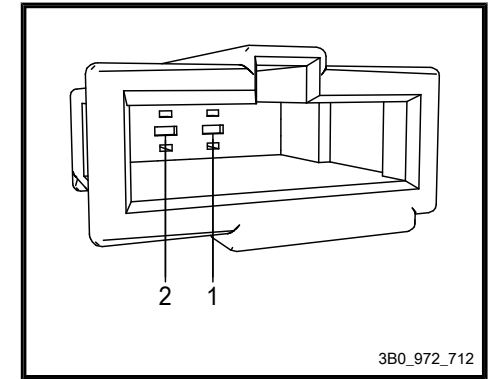


1J0\_971\_972

Cavity	Function	Cavity	Function
1	Signal (+)	2	Signal (-)

1.4.2 2-pin connector -T2w- w/ Subwoofer

2-pin connector -T2w-



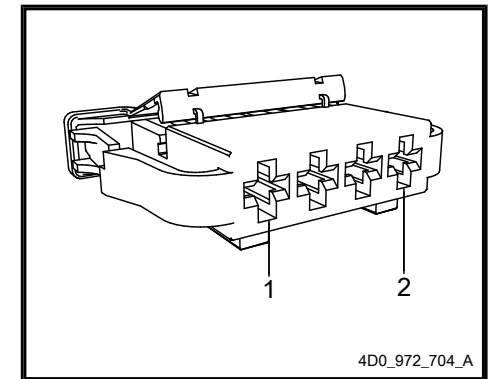
Cavity	Function	Cavity	Function
1	Signal (+)	2	Signal (-)

1.5 Right rear bass speaker -R17-

◆ ⇒ ["1.5.1 4-pin connector T4r"](#), page 5

1.5.1 4-pin connector -T4r-

4-pin connector -T4r-



Cavity	Function	Cavity	Function
1	Signal (-)	3	Signal (+)
2	Signal (-)	4	Signal (+)

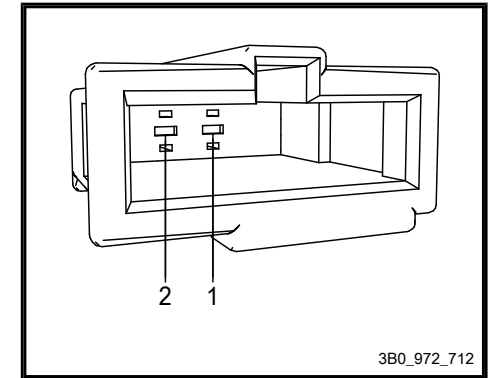
1.6 Left front treble speaker -R20-

◆ ⇒ [“1.6.1 2-pin connector T2j”, page 6](#)

◆ ⇒ [“1.6.2 2-pin connector T2k w/ Subwoofer”, page 6](#)

1.6.1 2-pin connector -T2j-

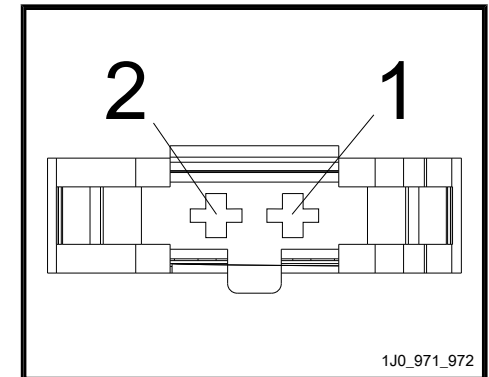
2-pin connector -T2j-



Cavity	Function	Cavity	Function
1	Signal (+)	2	Signal (-)

1.6.2 2-pin connector -T2k- w/ Subwoofer

2-pin connector -T2k-



Cavity	Function	Cavity	Function
1	Signal (+)	2	Signal (-)

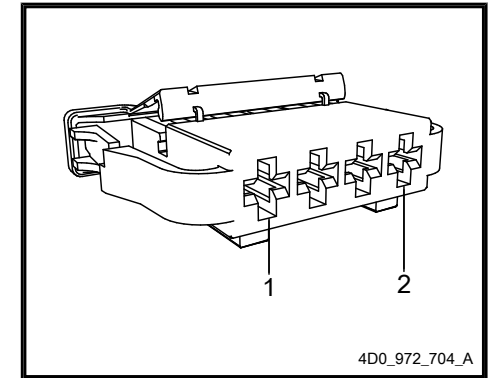
1.7 Left front bass speaker -R21-

◆ ⇒ [“1.7.1 4-pin connector T4j”, page 7](#)

◆ ⇒ [“1.7.2 4-pin connector T4k w/ Subwoofer”, page 7](#)

1.7.1 4-pin connector -T4j-

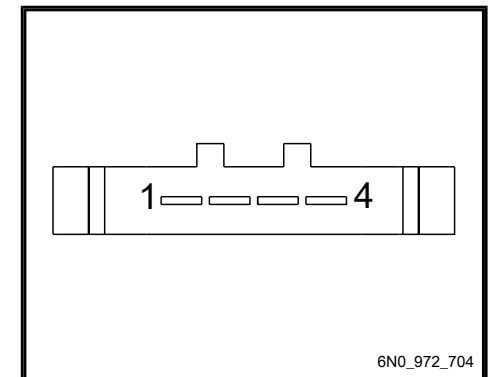
4-pin connector -T4j-



Cavity	Function	Cavity	Function
1	Signal (-)	3	...
2	...	4	Signal (+)

1.7.2 4-pin connector -T4k- w/ Subwoofer

4-pin connector -T4k-



Cavity	Function	Cavity	Function
1	Signal (-)	3	Signal (+)

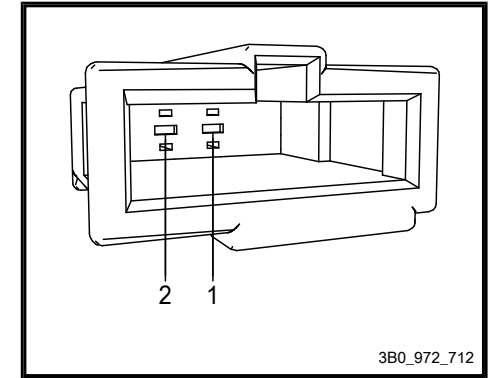
2	Signal (-)	4	Signal (+)
---	------------	---	------------

**1.8 Right front treble speaker -R22-**

- ◆ ⇒ ["1.8.1 2-pin connector T2o ", page 8](#)
- ◆ ⇒ ["1.8.2 2-pin connector T2p w/ Subwoofer ", page 8](#)

**1.8.1 2-pin connector -T2o-**

2-pin connector -T2o-

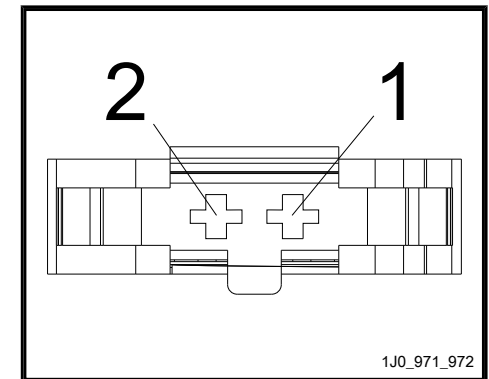


3B0\_972\_712

Cavity	Function	Cavity	Function
1	Signal (+)	2	Signal (-)

**1.8.2 2-pin connector -T2p- w/ Subwoofer**

2-pin connector -T2p-



1J0\_971\_972

Cavity	Function	Cavity	Function



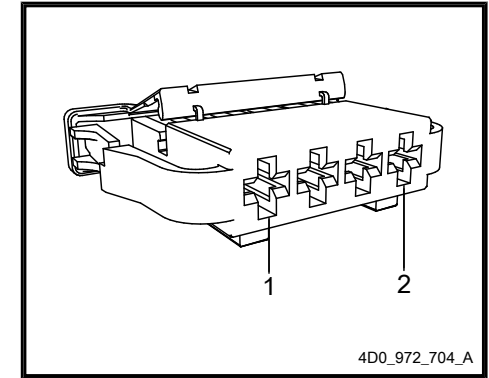
1	Signal (+)	2	Signal (-)
---	------------	---	------------

**1.9 Right front bass speaker -R23-**

- ◆ ⇒ ["1.9.1 4-pin connector T4m ", page 9](#)
- ◆ ⇒ ["1.9.2 4-pin connector T4n w/ Subwoofer ", page 9](#)

**1.9.1 4-pin connector -T4m-**

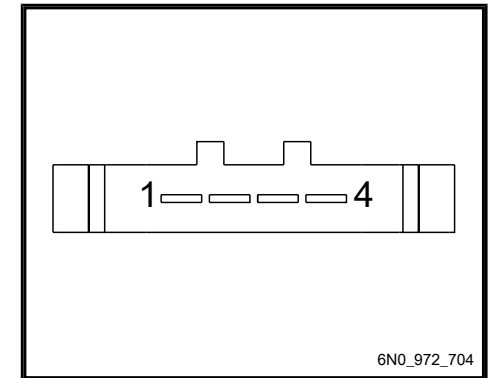
4-pin connector -T4m-



Cavity	Function	Cavity	Function
1	Signal (-)	3	...
2	...	4	Signal (+)

**1.9.2 4-pin connector -T4n- w/ Subwoofer**

4-pin connector -T4n-



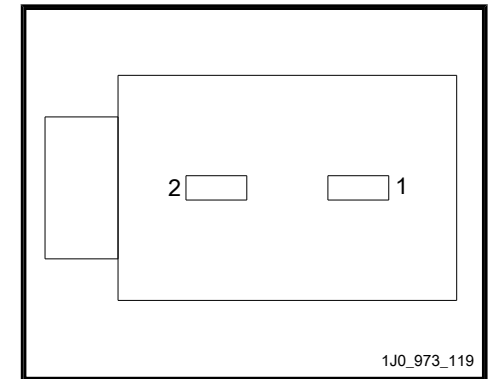
Cavity	Function	Cavity	Function
1	Signal (-)	3	Signal (+)
2	Signal (-)	4	Signal (+)

**1.10 Telephone microphone -R38-**

◆ ⇒ [“1.10.1 2-pin connector T2ao”, page 10](#)

**1.10.1 2-pin connector -T2ao-**

2-pin connector -T2ao-



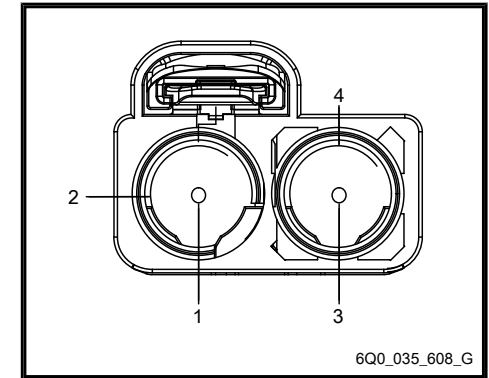
Cavity	Function	Cavity	Function
1	Signal (-)	2	Signal (+)

**1.11 Navigation system interface -R94-**

◆ ⇒ [“1.11.1 4-pin connector T4bm”, page 11](#)

1.11.1 4-pin connector -T4bm-

4-pin connector -T4bm-



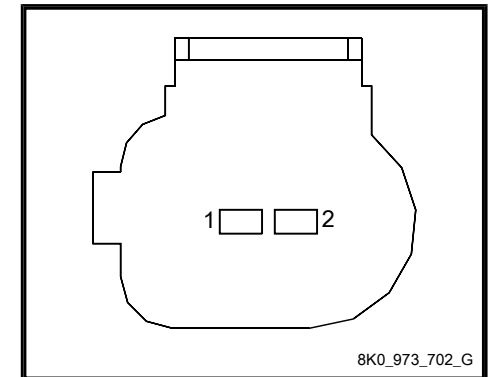
Cavity	Function	Cavity	Function
1	TBD	3	TBD
2	TBD	4	TBD

1.12 Access/start system antenna in rear bumper -R136-

◆ ⇒ ["1.12.1 2-pin connector T2cq", page 11](#)

1.12.1 2-pin connector -T2cq-

2-pin connector -T2cq-



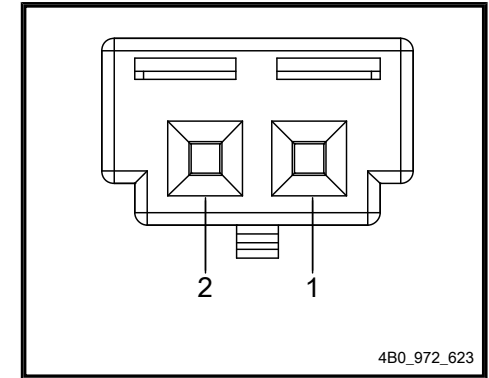
Cavity	Function	Cavity	Function
1	Signal (+)	2	Signal (-)

1.13 Access/start system antenna in luggage compartment -R137-

◆ ⇒ ["1.13.1 2-pin connector T2cj", page 12](#)

1.13.1 2-pin connector -T2cj-

2-pin connector -T2cj-



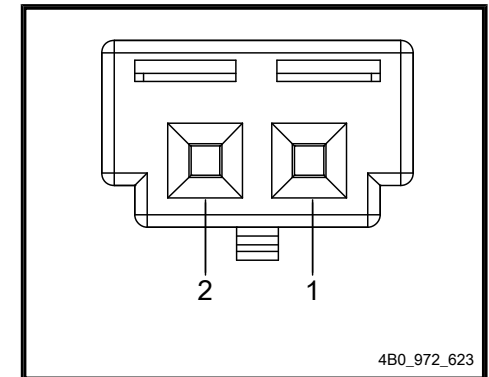
Cavity	Function	Cavity	Function
1	Signal (+)	2	Signal (-)

1.14 Access/start system antenna 1 in vehicle interior -R138-

◆ ⇒ ["1.14.1 2-pin connector T2ax", page 12](#)

1.14.1 2-pin connector -T2ax-

2-pin connector -T2ax-



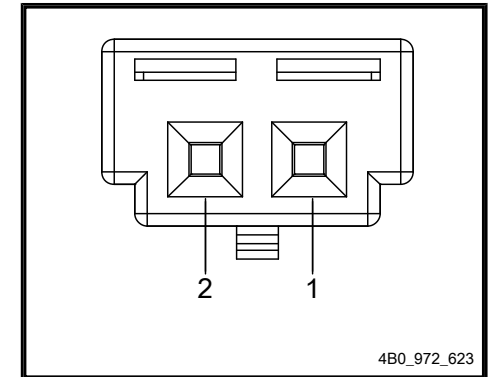
Cavity	Function	Cavity	Function
1	Signal (+)	2	Signal (-)

1.15 Access/start system antenna 2 in vehicle interior -R139-

◆ ⇒ [“1.15.1 2-pin connector T2ch”, page 13](#)

1.15.1 2-pin connector -T2ch-

2-pin connector -T2ch-



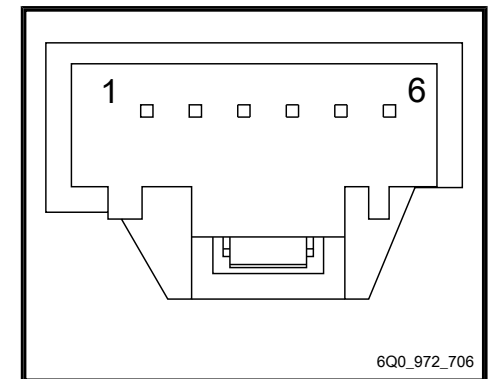
Cavity	Function	Cavity	Function
1	Signal (+)	2	Signal (-)

1.16 Auxiliary coolant heater radio frequency receiver -R149-

◆ ⇒ [“1.16.1 6-pin connector T6ay”, page 13](#)

1.16.1 6-pin connector -T6ay-

6-pin connector -T6ay-



Cavity	Function	Cavity	Function

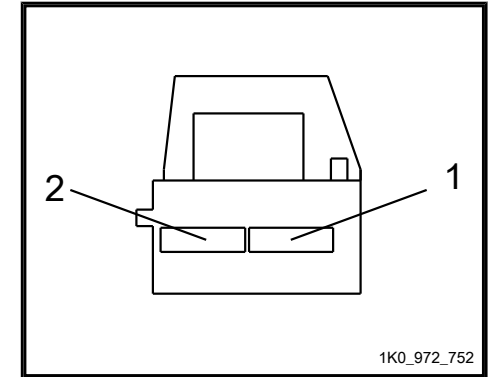
1	TBD	4	TBD
2	TBD	5	TBD
3	TBD	6	TBD

**1.17 AM frequency filter -R177-**

◆ ⇒ [“1.17.1 2-pin connector T2f”, page 14](#)

**1.17.1 2-pin connector -T2f-**

2-pin connector -T2f-



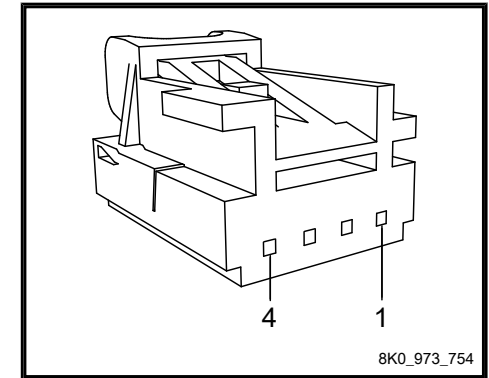
Cavity	Function	Cavity	Function
1	Power (87a)	2	Ground (31)

**1.18 External audio source connection -R199-**

◆ ⇒ [“1.18.1 4-pin connector T4ar”, page 15](#)

1.18.1 4-pin connector -T4ar-

4-pin connector -T4ar-



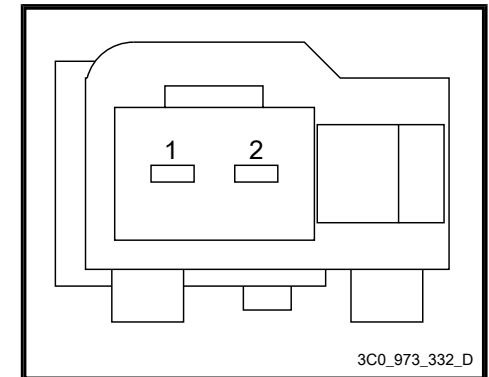
Cavity	Function	Cavity	Function
1	Signal (R)	3	Signal (L)
2	Ground	4	

1.19 Center speaker -R208-

◆ ⇒ ["1.19.1 2-pin connector T2bq", page 15](#)

1.19.1 2-pin connector -T2bq-

2-pin connector -T2bq-



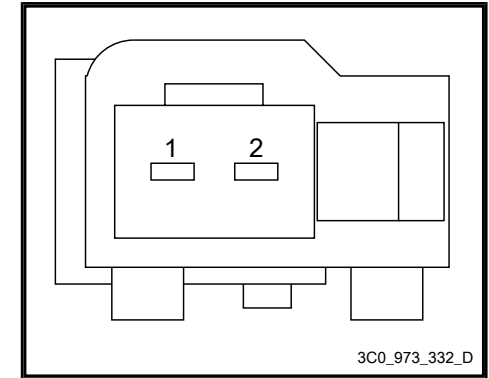
Cavity	Function	Cavity	Function
1	Signal (+)	2	Signal (-)

1.20 Left effects speaker -R209-

◆ ⇒ ["1.20.1 2-pin connector T2bb", page 16](#)

1.20.1 2-pin connector -T2bb-

2-pin connector -T2bb-



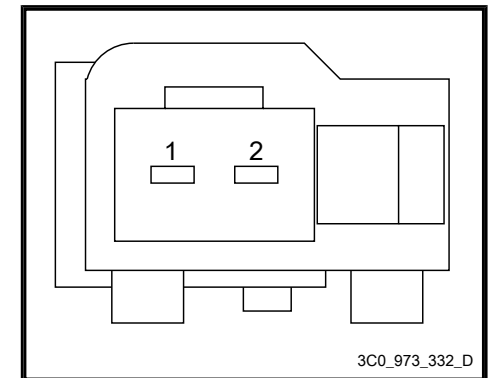
Cavity	Function	Cavity	Function
1	Signal (+)	2	Signal (-)

1.21 Right effects speaker -R210-

◆ ⇒ ["1.21.1 2-pin connector T2ba", page 16](#)

1.21.1 2-pin connector -T2ba-

2-pin connector -T2ba-



Cavity	Function	Cavity	Function
1	Signal (+)	2	Signal (-)

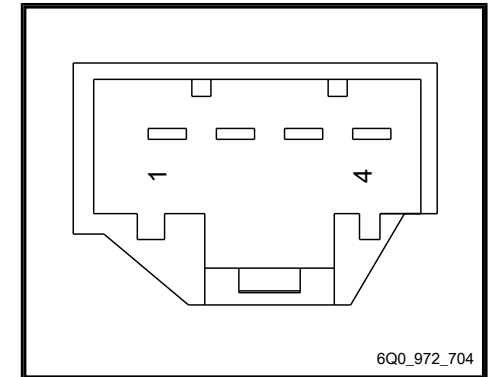


1.22 Subwoofer -R211-

◆ ⇒ [“1.22.1 4-pin connector T4bc”, page 17](#)

1.22.1 4-pin connector -T4bc-

4-pin connector -T4bc-



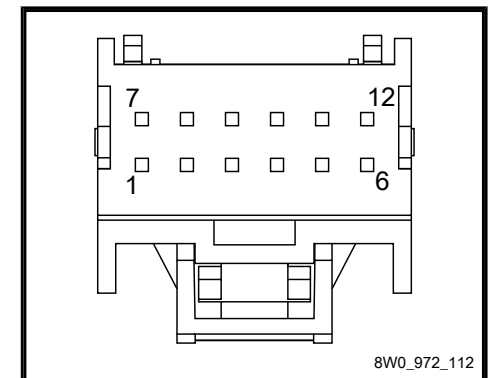
Cavity	Function	Cavity	Function
1	Signal (+)	3	Signal (-)
2	...	4	...

1.23 Driver assistance systems front camera -R242-

◆ ⇒ [“1.23.1 12-pin connector T12a”, page 17](#)

1.23.1 12-pin connector -T12a-

12-pin connector -T12a-



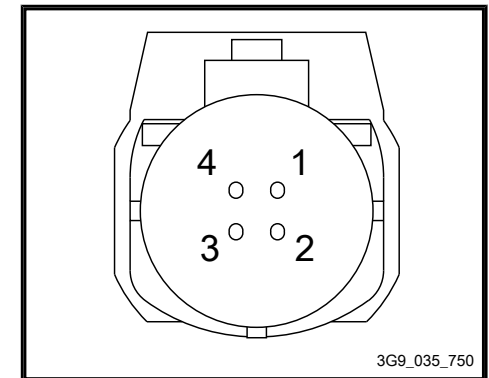
Cavity	Function	Cavity	Function
1	CAN L	7	CAN H
2	CAN L (diag connector)	8	CAN H (diag connector)
3	...	9	...
4	Signal (+)	10	Signal (-)
5	Ground (31)	11	...
6	Power (15a)	12	...

### 1.24 Front peripheral camera -R243-

◆ ⇒ ["1.24.1 5-pin connector T5b", page 18](#)

#### 1.24.1 5-pin connector -T5b-

5-pin connector -T5b-



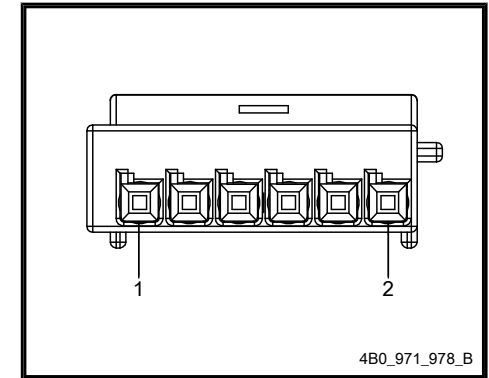
Cavity	Function	Cavity	Function
1	Signal (+)	4	Ground
2	Power control	5	...
3	Signal (-)		

### 1.25 Storage compartment with cell phone interface -R265-

◆ ⇒ ["1.25.1 6-pin connector T6av", page 19](#)

1.25.1 6-pin connector -T6av-

6-pin connector -T6av-



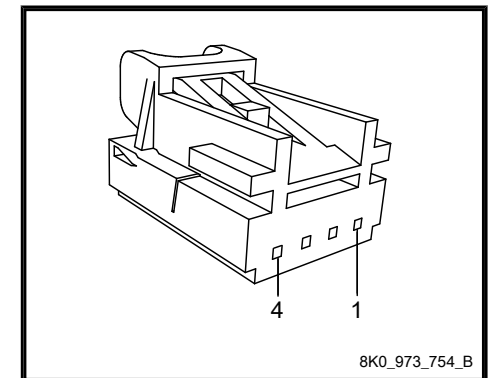
Cavity	Function	Cavity	Function
1	TBD	4	TBD
2	TBD	5	TBD
3	TBD	6	TBD

1.26 USB distributor -R293-

- ◆ ⇒ [“1.26.1 4-pin connector T4aq”, page 19](#)
- ◆ ⇒ [“1.26.2 5-pin connector T5o”, page 20](#)
- ◆ ⇒ [“1.26.3 5-pin connector T5v”, page 20](#)
- ◆ ⇒ [“1.26.4 5-pin connector T5x”, page 21](#)

1.26.1 4-pin connector -T4aq-

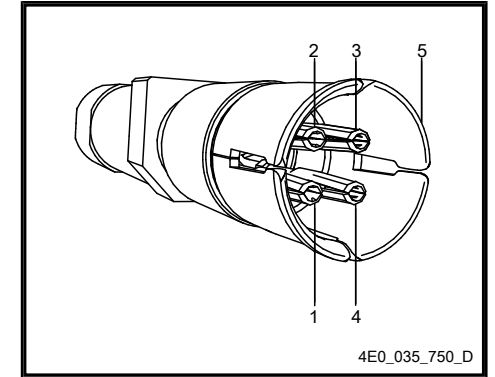
4-pin connector -T4aq-



Cavity	Function	Cavity	Function
1	Power (15a)	3	Power (+5V)
2	Ground (31)	4	...

**1.26.2 5-pin connector -T5o-**

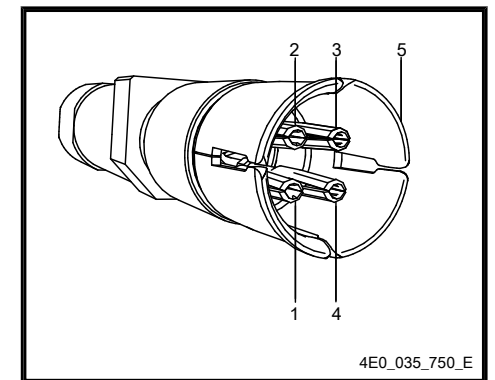
5-pin connector -T5o-



Cavity	Function	Cavity	Function
1	Signal (+)	4	Signal (-)
2	Signal (-)	5	Shield
3	Signal (+)		

**1.26.3 5-pin connector -T5v-**

5-pin connector -T5v-

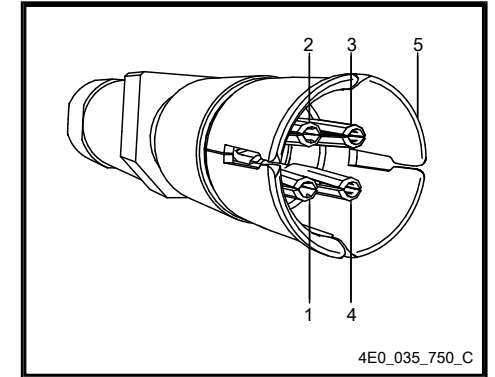


Cavity	Function	Cavity	Function
--------	----------	--------	----------

1	Ground	4	Signal (+)
2	Signal (-)	5	Shield
3	Power (+5V)		

**1.26.4 5-pin connector -T5x-**

5-pin connector -T5x-



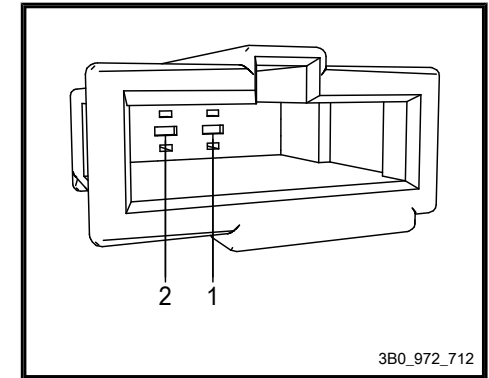
Cavity	Function	Cavity	Function
1	Ground	4	Signal (+)
2	Signal (-)	5	USB Shield
3	Signal		

**1.27 Emergency call module speaker -R335-**

◆ ⇒ ["1.27.1 2-pin connector T2ex", page 22](#)

1.27.1 2-pin connector -T2ex-

2-pin connector -T2ex-



Cavity	Function	Cavity	Function
1	TBD	2	TBD

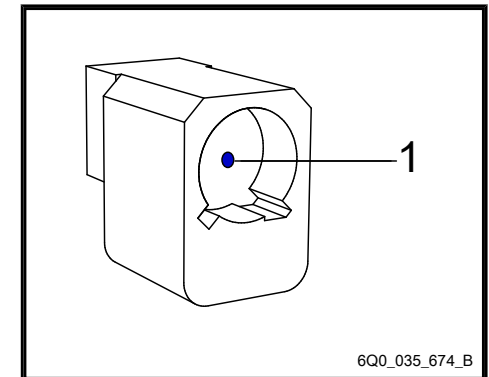
1.28 Roof antenna -RX5-

◆ ⇒ ["1.28.1 2-pin connector T2dq", page 22](#)

◆ ⇒ ["1.28.2 2-pin connector T2dv", page 23](#)

1.28.1 2-pin connector -T2dq-

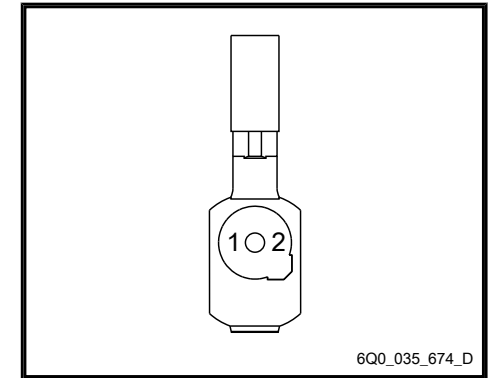
2-pin connector -T2dq-



Cavity	Function	Cavity	Function
1	Signal (GPS)	2	Shield (GPS)

1.28.2 2-pin connector -T2dv-

2-pin connector -T2dv-



Cavity	Function	Cavity	Function
1	Signal (SDARS)	2	Shield (SDARS)

## 1 Conn. View: Component w/ Prefix S to U

- ◆ ⇒ [“1.1 Trailer wiring harness coupling point TAHLS ”, page 2](#)
- ◆ ⇒ [“1.2 CAN Bus sunroof coupling point TCBSD ”, page 4](#)
- ◆ ⇒ [“1.3 Left rear exterior door handle coupling point TGHL ”, page 5](#)
- ◆ ⇒ [“1.4 Right rear exterior door handle coupling point TGHR ”, page 6](#)
- ◆ ⇒ [“1.5 Left front exterior door handle coupling point TGVL ”, page 7](#)
- ◆ ⇒ [“1.6 Right front exterior door handle coupling point TGVR ”, page 8](#)
- ◆ ⇒ [“1.7 Coupling point on roof TH ”, page 9](#)
- ◆ ⇒ [“1.8 Rear lid coupling point THK ”, page 10](#)
- ◆ ⇒ [“1.9 Coupling point on rear lid, left THKL ”, page 11](#)
- ◆ ⇒ [“1.10 Coupling point in luggage compartment, right THRR ”, page 13](#)
- ◆ ⇒ [“1.11 Coupling point in interior TI ”, page 15](#)
- ◆ ⇒ [“1.12 Coupling point in interior, center TIM ”, page 17](#)
- ◆ ⇒ [“1.13 Coupling point in left rear seat TISHL ”, page 17](#)
- ◆ ⇒ [“1.14 Coupling point in right rear seat TISHR ”, page 18](#)
- ◆ ⇒ [“1.15 Coupling station in left front seat TISVL ”, page 18](#)
- ◆ ⇒ [“1.16 Coupling point in interior, bottom left TIUL ”, page 20](#)
- ◆ ⇒ [“1.17 Coupling point in engine compartment, left TML ”, page 27](#)
- ◆ ⇒ [“1.18 Engine pre-wiring coupling point 1 TMOVO1 ”, page 32](#)
- ◆ ⇒ [“1.19 Left front thorax airbag coupling point TSABVL ”, page 32](#)
- ◆ ⇒ [“1.20 Right front thorax airbag coupling point TSABVR ”, page 33](#)
- ◆ ⇒ [“1.21 Front passenger seat backrest coupling point TSB ”, page 33](#)
- ◆ ⇒ [“1.22 Driver seat backrest coupling point TSF ”, page 34](#)
- ◆ ⇒ [“1.23 Coupling point on left front bumper TSFVL ”, page 35](#)
- ◆ ⇒ [“1.24 Left rear seat coupling station TSHL ”, page 36](#)
- ◆ ⇒ [“1.25 Right rear seat coupling station TSHR ”, page 37](#)

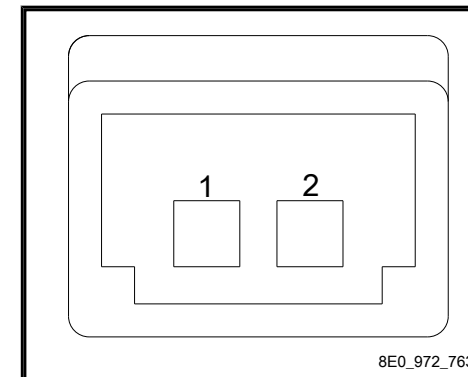


- ◆ ⇒ [“1.26 Left front seat coupling station TSVL ”, page 38](#)
- ◆ ⇒ [“1.27 Right front seat coupling station TSVR ”, page 39](#)
- ◆ ⇒ [“1.28 Left rear door coupling point TTHL ”, page 41](#)
- ◆ ⇒ [“1.29 Right rear door coupling point TTHR ”, page 43](#)
- ◆ ⇒ [“1.30 Left front door coupling point TTVL ”, page 45](#)
- ◆ ⇒ [“1.31 Right front door coupling point TTVR ”, page 47](#)
- ◆ ⇒ [“1.32 12 V socket U5 ”, page 49](#)
- ◆ ⇒ [“1.33 Trailer socket U10 ”, page 49](#)
- ◆ ⇒ [“1.34 Converter with socket, 12 V-230 V U13 ”, page 50](#)
- ◆ ⇒ [“1.35 12 V socket 2 U18 ”, page 51](#)
- ◆ ⇒ [“1.36 12 V socket 3 U19 ”, page 51](#)
- ◆ ⇒ [“1.37 Diagnostic connection U31 ”, page 52](#)
- ◆ ⇒ [“1.38 USB charging socket 1 U37 ”, page 53](#)
- ◆ ⇒ [“1.39 USB connection 1 U41 ”, page 53](#)
- ◆ ⇒ [“1.40 USB connection 2 U42 ”, page 55](#)

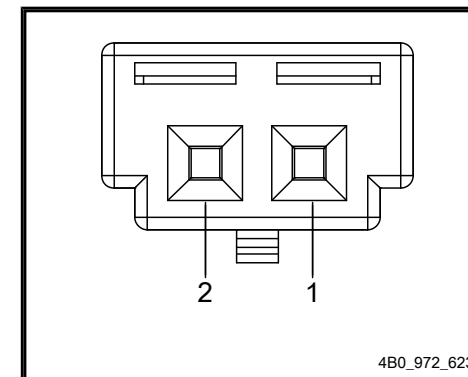
## 1.1 Trailer wiring harness coupling point -TAHLS-

- ◆ ⇒ [“1.1.1 2-pin connector T2by ”, page 3](#)
- ◆ ⇒ [“1.1.2 2-pin connector T2bz ”, page 3](#)
- ◆ ⇒ [“1.1.4 8-pin connector T8p ”, page 4](#)
- ◆ ⇒ [“1.1.3 8-pin connector T8ah ”, page 4](#)

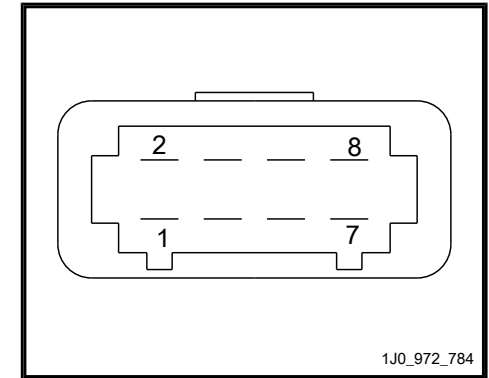
1.1.1 2-pin connector -T2by-  
2-pin connector -T2by-



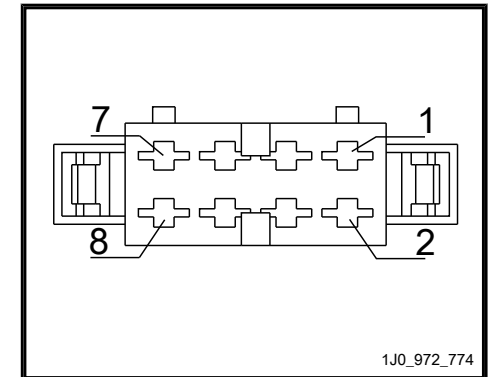
1.1.2 2-pin connector -T2bz-  
2-pin connector -T2bz-



1.1.3 8-pin connector -T8ah-  
8-pin connector -T8ah-



1.1.4 8-pin connector -T8p-  
8-pin connector -T8p-

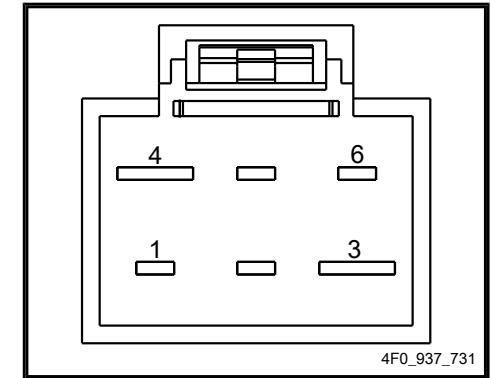


1.2 CAN Bus sunroof coupling point -TCBSD-

- ◆ ⇒ ["1.2.1 6-pin connector T6k", page 5](#)
- ◆ ⇒ ["1.2.2 6-pin connector T6as", page 5](#)

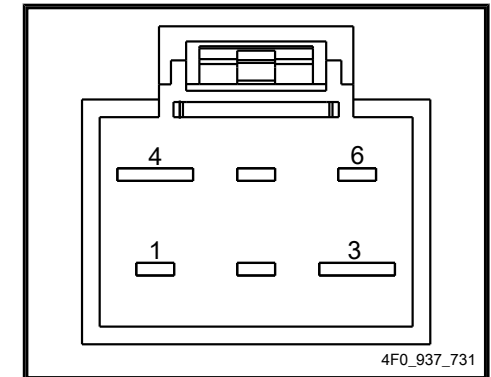
1.2.1 6-pin connector -T6k-

6-pin connector -T6k-



1.2.2 6-pin connector -T6as-

6-pin connector -T6as-

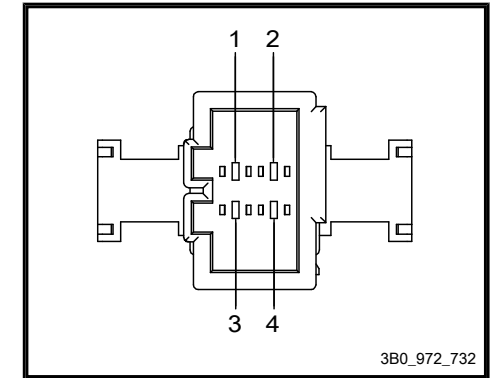


1.3 Left rear exterior door handle coupling point -TGHL-

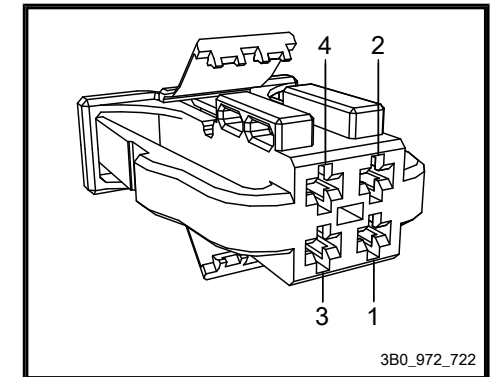
◆ ⇒ ["1.3.1 4-pin connector T4o", page 6](#)

◆ ⇒ ["1.3.2 4-pin connector T4t", page 6](#)

1.3.1 4-pin connector -T4o-  
4-pin connector -T4o-



1.3.2 4-pin connector -T4t-  
4-pin connector -T4t-



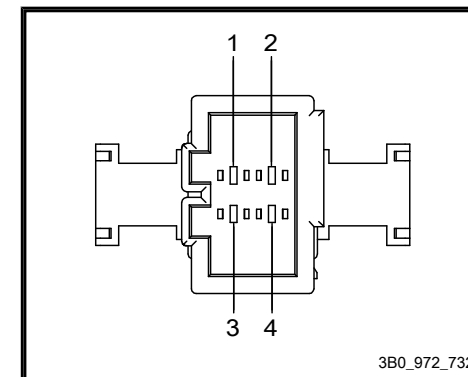
1.4 Right rear exterior door handle coupling point -TGHR-

◆ ⇒ ["1.4.1 4-pin connector T4q", page 7](#)

◆ ⇒ ["1.4.2 4-pin connector T4v", page 7](#)

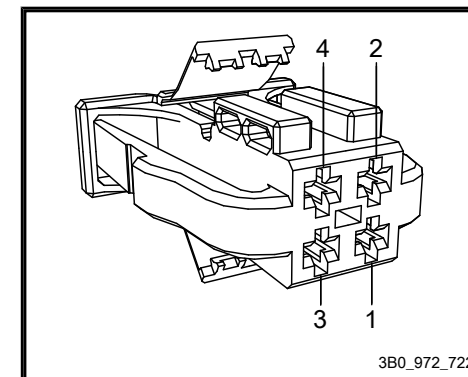
1.4.1 4-pin connector -T4q-

4-pin connector -T4q-



1.4.2 4-pin connector -T4v-

4-pin connector -T4v-



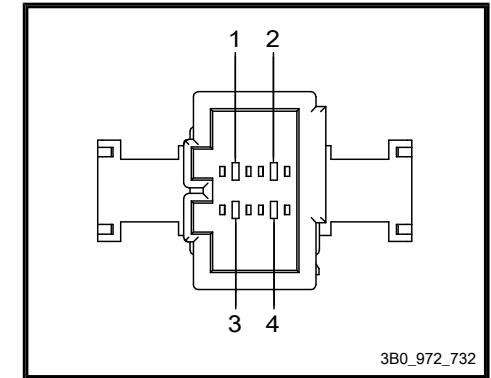
1.5 Left front exterior door handle coupling point -TGVL-

◆ ⇒ ["1.5.1 4-pin connector T4i", page 8](#)

◆ ⇒ ["1.5.2 4-pin connector T4z", page 8](#)

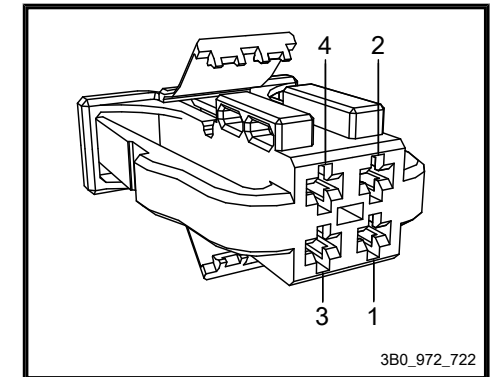
1.5.1 4-pin connector -T4i-

4-pin connector -T4i-



1.5.2 4-pin connector -T4z-

4-pin connector -T4z-



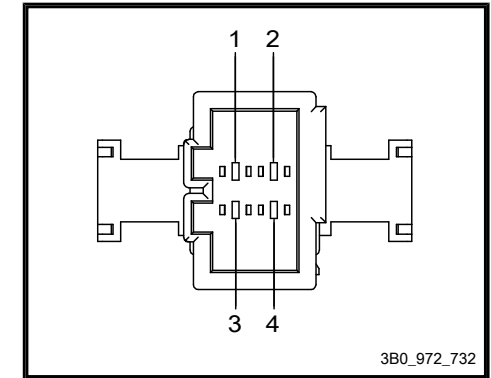
1.6 Right front exterior door handle coupling point -TGVR-

◆ ⇒ [“1.6.1 4-pin connector T4I ”](#), page 9

◆ ⇒ [“1.6.2 4-pin connector T4x ”](#), page 9

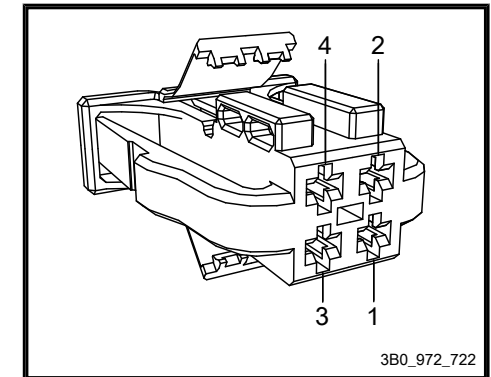
1.6.1 4-pin connector -T4I-

4-pin connector -T4I-



1.6.2 4-pin connector -T4x-

4-pin connector -T4x-



1.7 Coupling point on roof -TH-

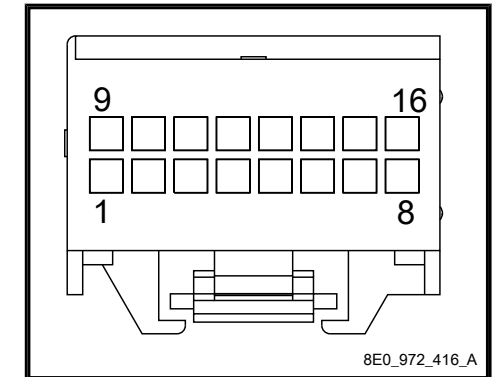
◆ ⇒ [“1.7.1 16-pin connector T16a ”, page 10](#)

◆ ⇒ [“1.7.2 16-pin connector T16d ”, page 10](#)



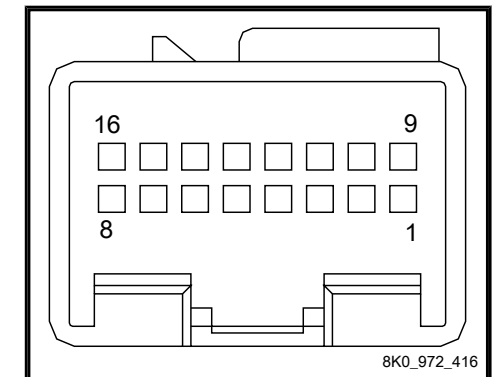
1.7.1 16-pin connector -T16a-

16-pin connector -T16a-



1.7.2 16-pin connector -T16d-

16-pin connector -T16d-



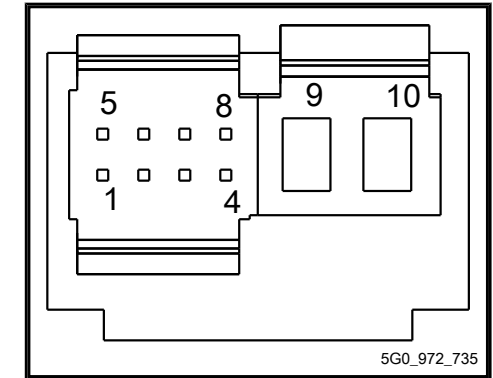
1.8 Rear lid coupling point -THK-

◆ ⇒ ["1.8.1 10-pin connector T10a", page 11](#)

◆ ⇒ ["1.8.2 10-pin connector T10c", page 11](#)

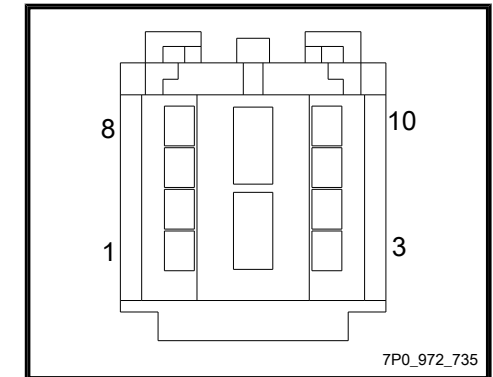
1.8.1 10-pin connector -T10a-

10-pin connector -T10a-



1.8.2 10-pin connector -T10c-

10-pin connector -T10c-

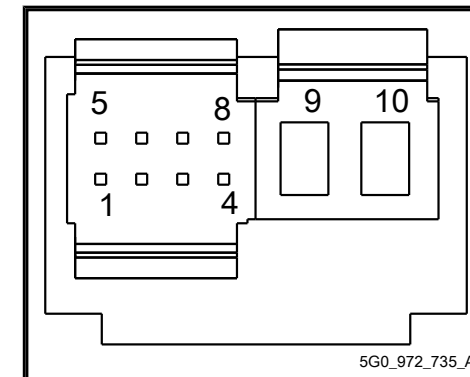


1.9 Coupling point on rear lid, left -THKL-

- ◆ ⇒ [“1.9.1 10-pin connector T10b ”, page 12](#)
- ◆ ⇒ [“1.9.2 10-pin connector T10q ”, page 12](#)
- ◆ ⇒ [“1.9.3 10-pin connector T10r ”, page 13](#)
- ◆ ⇒ [“1.9.4 10-pin connector T10s ”, page 13](#)

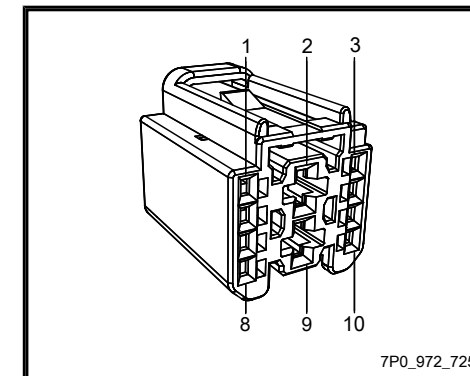
1.9.1 10-pin connector -T10b-

10-pin connector -T10b-



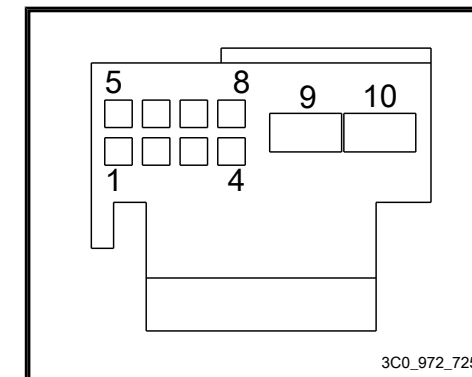
1.9.2 10-pin connector -T10q-

10-pin connector -T10q-



1.9.3 10-pin connector -T10r-

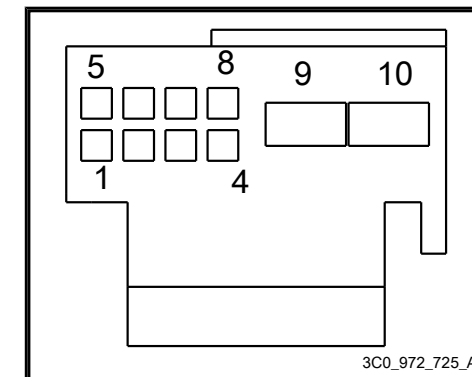
10-pin connector -T10r-



3C0\_972\_725

1.9.4 10-pin connector -T10s-

10-pin connector -T10s-



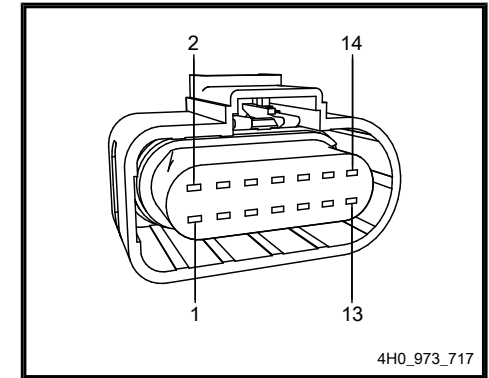
3C0\_972\_725\_A

1.10 Coupling point in luggage compartment, right -THRR-

- ◆ ⇒ [“1.10.1 14-pin connector T14c”, page 14](#)
- ◆ ⇒ [“1.10.2 14-pin connector T14m”, page 14](#)
- ◆ ⇒ [“1.10.3 4-pin connector T4ab”, page 15](#)
- ◆ ⇒ [“1.10.4 4-pin connector T4bk”, page 15](#)

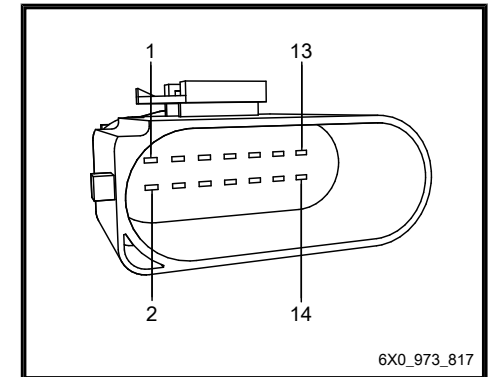
1.10.1 14-pin connector -T14c-

14-pin connector -T14c-



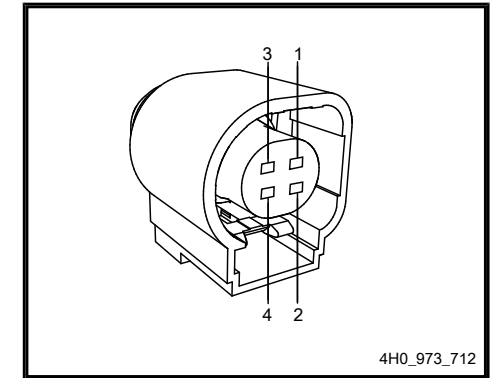
1.10.2 14-pin connector -T14m-

14-pin connector -T14m-



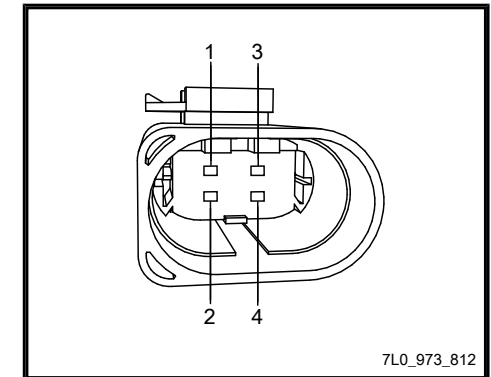
1.10.3 4-pin connector -T4ab-

4-pin connector -T4ab-



1.10.4 4-pin connector -T4bk-

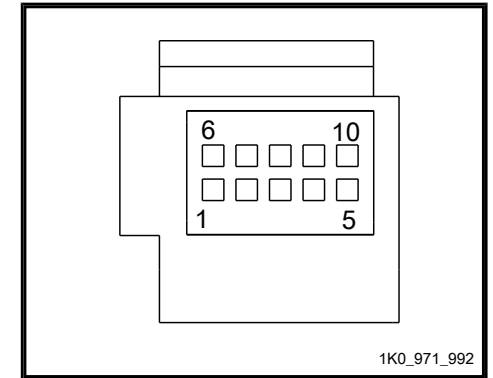
4-pin connector -T4bk-



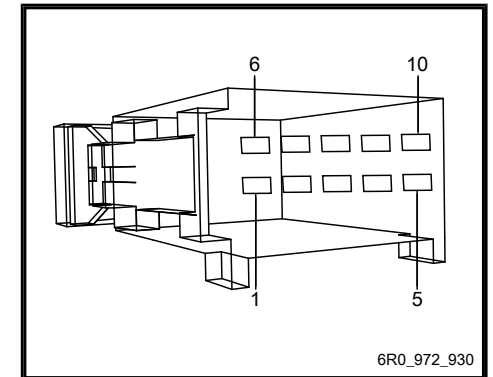
1.11 Coupling point in interior -TI-

- ◆ ⇒ [“1.11.1 10-pin connector T10o ”, page 16](#)
- ◆ ⇒ [“1.11.2 10-pin connector T10x ”, page 16](#)
- ◆ ⇒ [“1.11.3 16-pin connector T16e ”, page 17](#)

1.11.1 10-pin connector -T10o-  
10-pin connector -T10o-

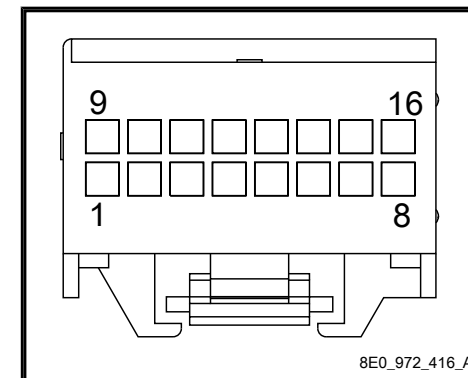


1.11.2 10-pin connector -T10x-  
10-pin connector -T10x-



1.11.3 16-pin connector -T16e-

16-pin connector -T16e-

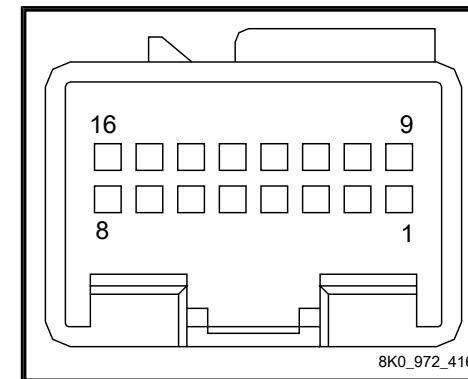


1.12 Coupling point in interior, center -TIM-

◆ ⇒ ["1.12.1 16-pin connector T16k", page 17](#)

1.12.1 16-pin connector -T16k-

16-pin connector -T16k-



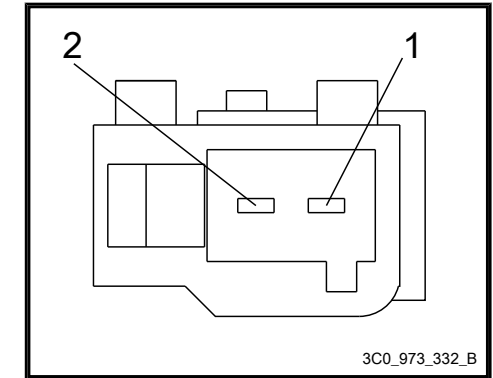
1.13 Coupling point in left rear seat -TISHL-

◆ ⇒ ["1.13.1 2-pin connector T2hh", page 18](#)



1.13.1 2-pin connector -T2hh-

2-pin connector -T2hh-

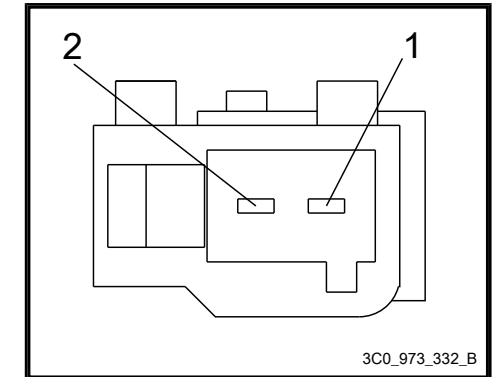


1.14 Coupling point in right rear seat -TISHR-

◆ ⇒ [“1.14.1 2-pin connector T2hj”, page 18](#)

1.14.1 2-pin connector -T2hj-

2-pin connector -T2hj-



1.15 Coupling station in left front seat -TISVL-

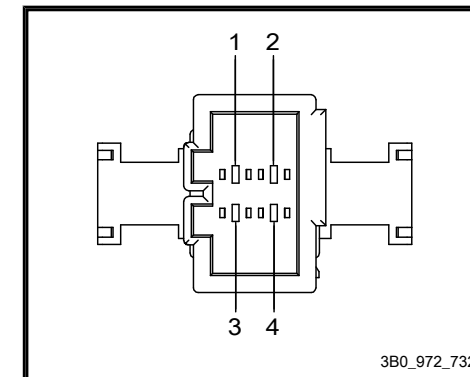
◆ ⇒ [“1.15.1 4-pin connector T4ck”, page 19](#)

◆ ⇒ [“1.15.2 2-pin connector T2hl”, page 19](#)

◆ ⇒ [“1.15.3 4-pin connector T4cu”, page 20](#)

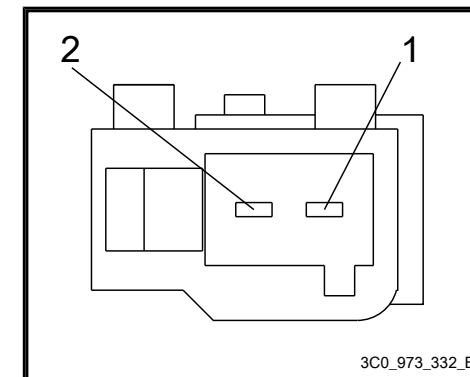
1.15.1 4-pin connector -T4ck-

4-pin connector -T4ck-



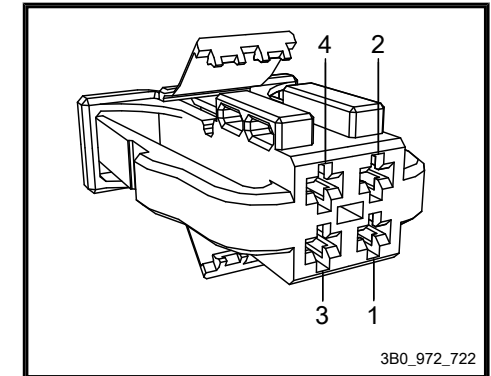
1.15.2 2-pin connector -T2hl-

2-pin connector -T2hl-



### 1.15.3 4-pin connector -T4cu-

4-pin connector -T4cu-

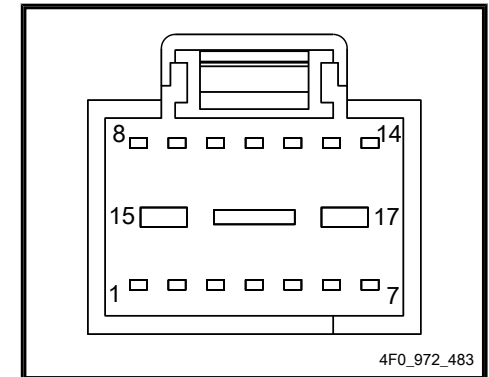


### 1.16 Coupling point in interior, bottom left -TIUL-

- ◆ ⇒ [“1.16.1 17-pin connector T17a ”, page 21](#)
- ◆ ⇒ [“1.16.2 17-pin connector T17b ”, page 21](#)
- ◆ ⇒ [“1.16.3 17-pin connector T17c ”, page 22](#)
- ◆ ⇒ [“1.16.4 17-pin connector T17d ”, page 22](#)
- ◆ ⇒ [“1.16.5 17-pin connector T17f ”, page 23](#)
- ◆ ⇒ [“1.16.6 17-pin connector T17g ”, page 23](#)
- ◆ ⇒ [“1.16.7 17-pin connector T17j ”, page 24](#)
- ◆ ⇒ [“1.16.8 17-pin connector T17k ”, page 24](#)
- ◆ ⇒ [“1.16.9 17-pin connector T17l ”, page 25](#)
- ◆ ⇒ [“1.16.10 17-pin connector T17m ”, page 25](#)
- ◆ ⇒ [“1.16.11 17-pin connector T17o ”, page 26](#)
- ◆ ⇒ [“1.16.12 17-pin connector T17p ”, page 26](#)
- ◆ ⇒ [“1.16.13 5-pin connector T5ac ”, page 27](#)
- ◆ ⇒ [“1.16.14 5-pin connector T5p ”, page 27](#)

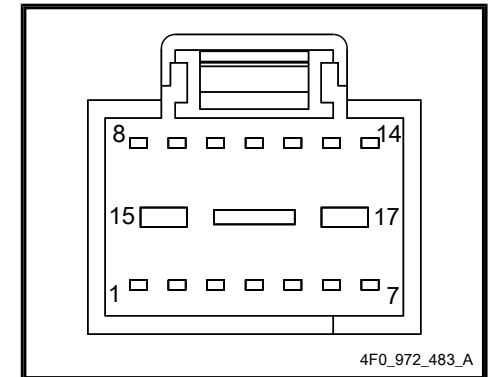
1.16.1 17-pin connector -T17a-

17-pin connector -T17a-



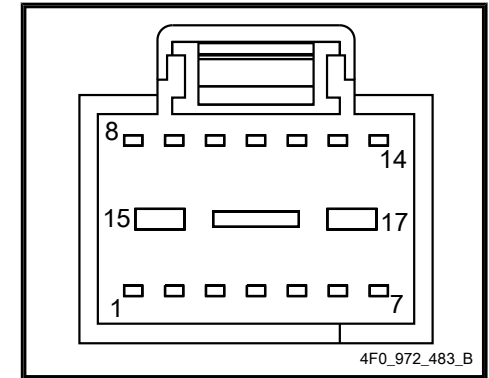
1.16.2 17-pin connector -T17b-

17-pin connector -T17b-



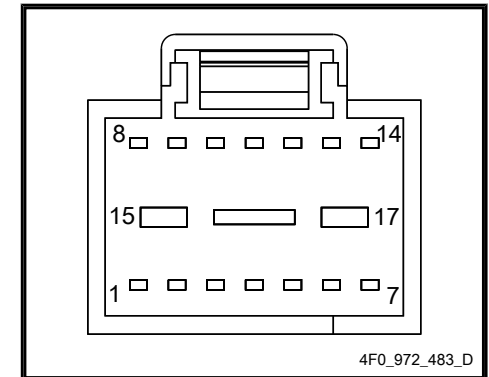
1.16.3 17-pin connector -T17c-

17-pin connector -T17c-



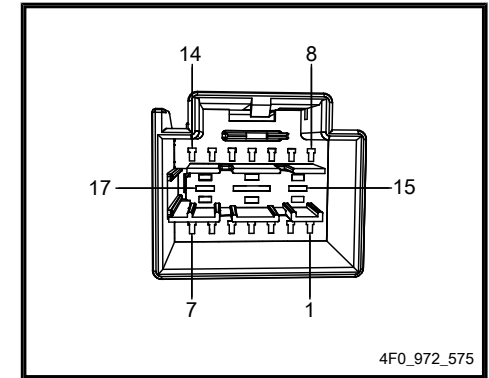
1.16.4 17-pin connector -T17d-

17-pin connector -T17d-



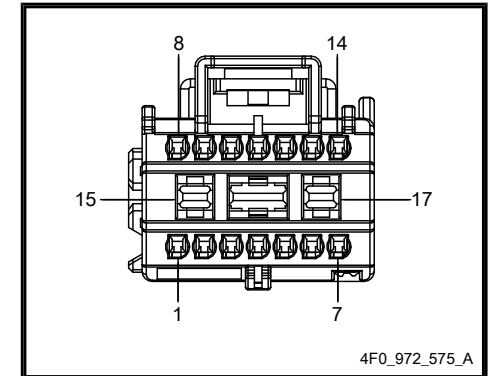
1.16.5 17-pin connector -T17f-

17-pin connector -T17f-



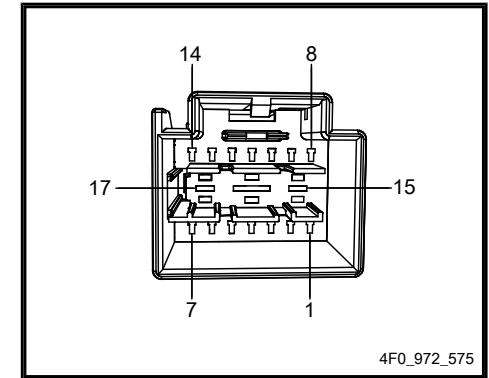
1.16.6 17-pin connector -T17g-

17-pin connector -T17g-



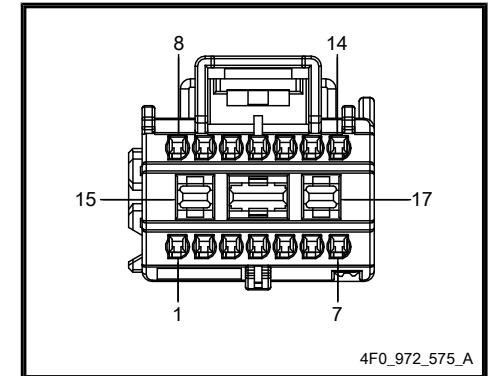
1.16.7 17-pin connector -T17j-

17-pin connector -T17j-



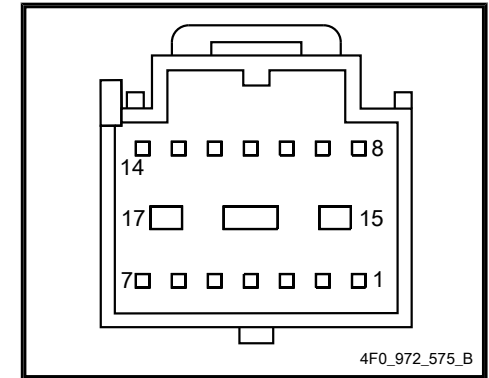
1.16.8 17-pin connector -T17k-

17-pin connector -T17k-



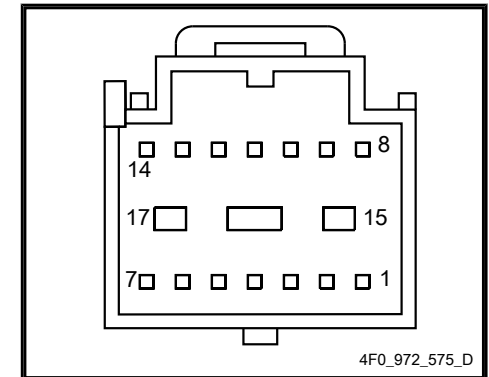
1.16.9 17-pin connector -T17l-

17-pin connector -T17l-



1.16.10 17-pin connector -T17m-

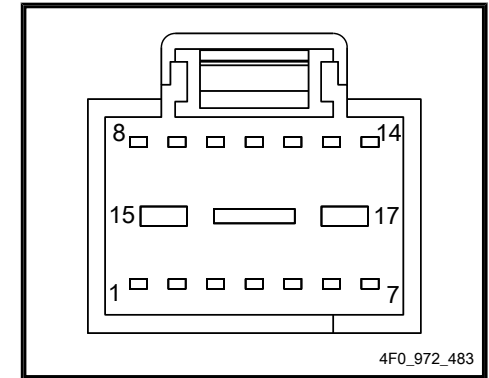
17-pin connector -T17m-





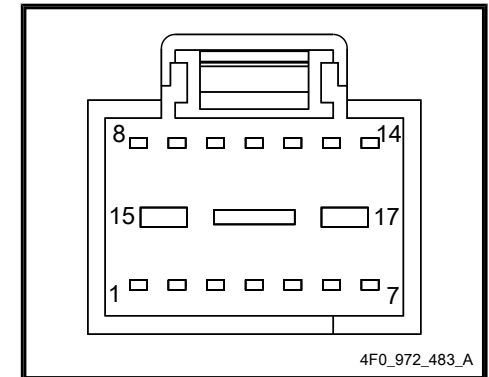
1.16.11 17-pin connector -T17o-

17-pin connector -T17o-



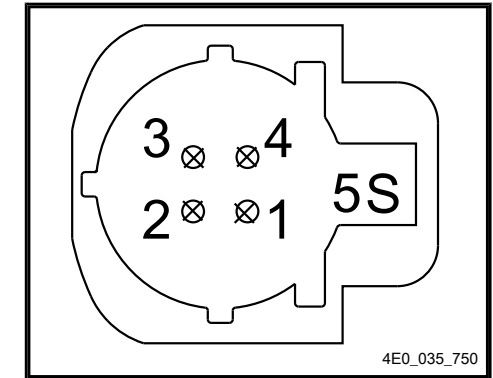
1.16.12 17-pin connector -T17p-

17-pin connector -T17p-



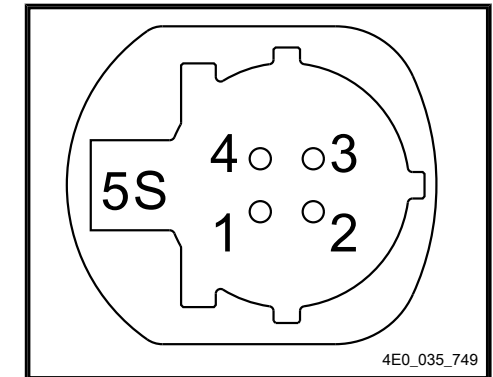
1.16.13 5-pin connector -T5ac-

5-pin connector -T5ac-



1.16.14 5-pin connector -T5p-

5-pin connector -T5p-

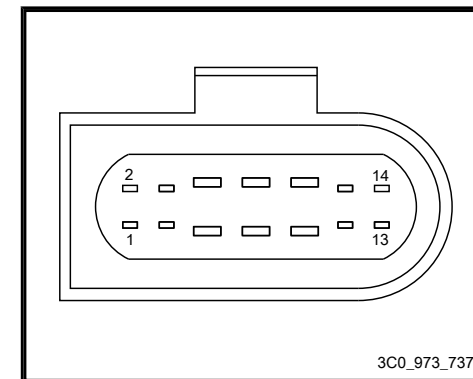


1.17 Coupling point in engine compartment, left -TML-

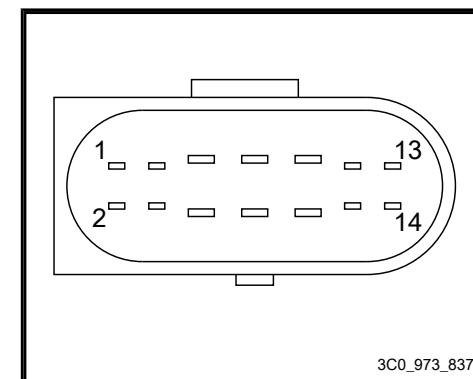
- ◆ ⇒ ["1.17.1 14-pin connector T14a", page 28](#)
- ◆ ⇒ ["1.17.2 14-pin connector T14r", page 28](#)
- ◆ ⇒ ["1.17.3 14-pin connector T14t", page 29](#)
- ◆
- ◆ ⇒ ["1.17.5 4-pin connector T4br", page 30](#)

- ◆ ⇒ [“1.17.6 4-pin connector T4cj ”, page 30](#)
- ◆ ⇒ [“1.17.7 5-pin connector T5ad ”, page 31](#)
- ◆ ⇒ [“1.17.8 6-pin connector T6i ”, page 31](#)
- ◆ ⇒ [“1.17.9 6-pin connector T6u ”, page 32](#)

**1.17.1 14-pin connector -T14a-**  
 14-pin connector -T14a-

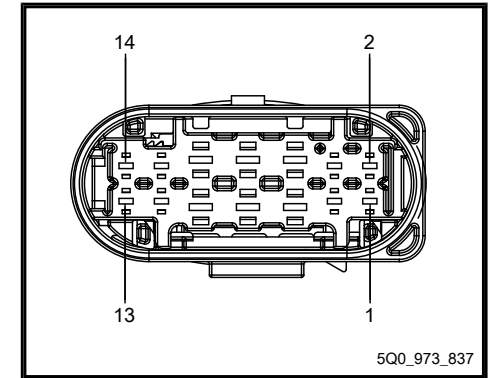


**1.17.2 14-pin connector -T14r-**  
 14-pin connector -T14r-



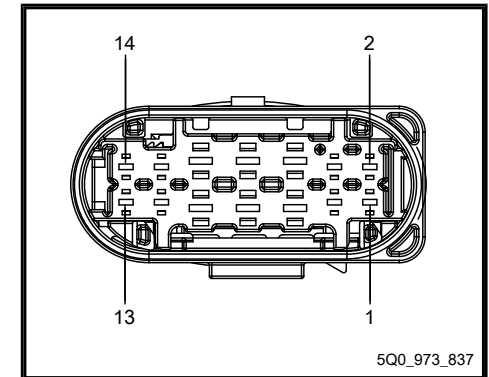
1.17.3 14-pin connector -T14t-

14-pin connector -T14t-



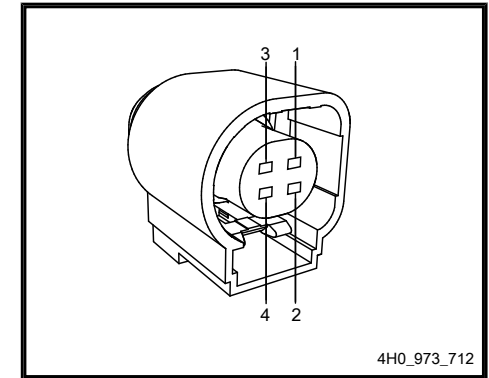
1.17.4 14-pin connector -T14w-

14-pin connector -T14w-



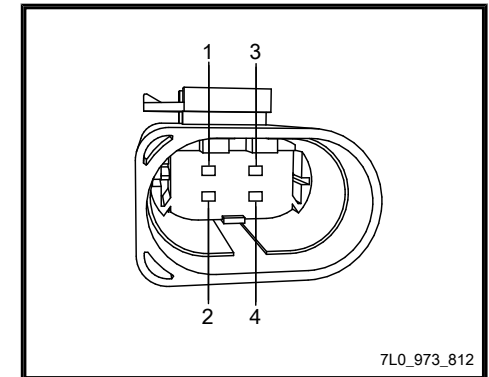
1.17.5 4-pin connector -T4br-

4-pin connector -T4br-

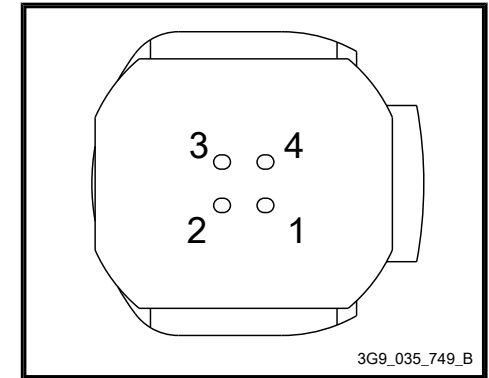


1.17.6 4-pin connector -T4cj-

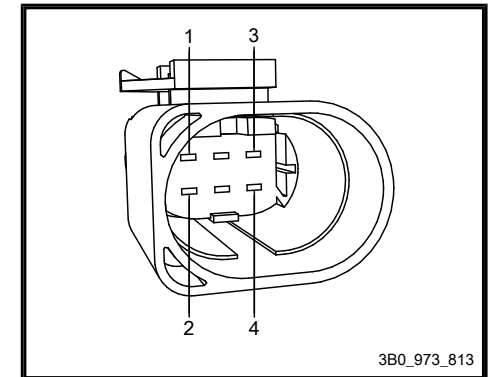
4-pin connector -T4cj-



1.17.7 5-pin connector -T5ad-  
5-pin connector -T5ad-

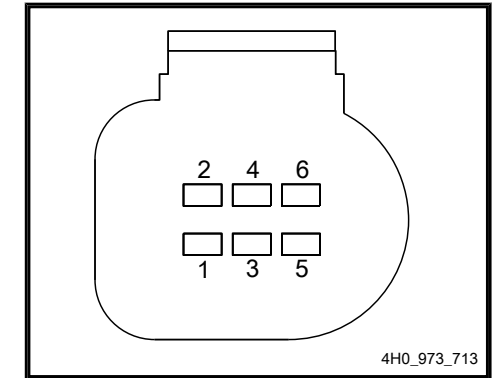


1.17.8 6-pin connector -T6i-  
6-pin connector -T6i-



1.17.9 6-pin connector -T6u-

6-pin connector -T6u-

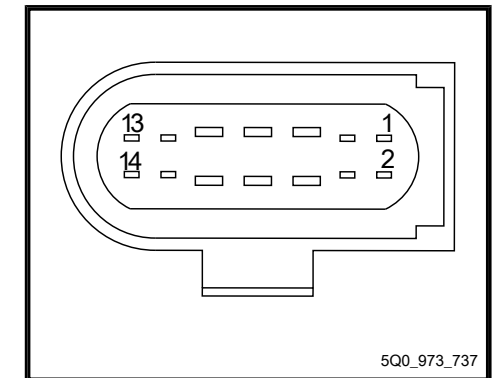


1.18 Engine pre-wiring coupling point 1 -TMOVO1-

◆ ⇒ [“1.18.1 14-pin connector T14o”, page 32](#)

1.18.1 14-pin connector -T14o-

14-pin connector -T14o-

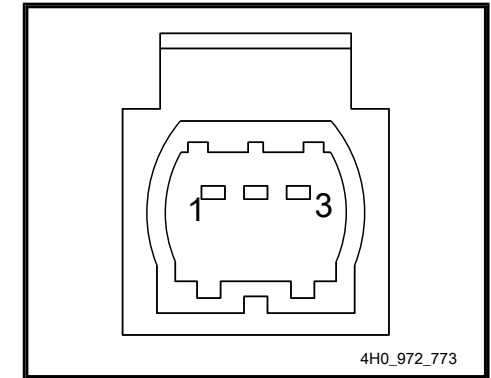


1.19 Left front thorax airbag coupling point -TSABVL-

◆ ⇒ [“1.19.1 3-pin connector T3ax”, page 33](#)

1.19.1 3-pin connector -T3ax-

3-pin connector -T3ax-

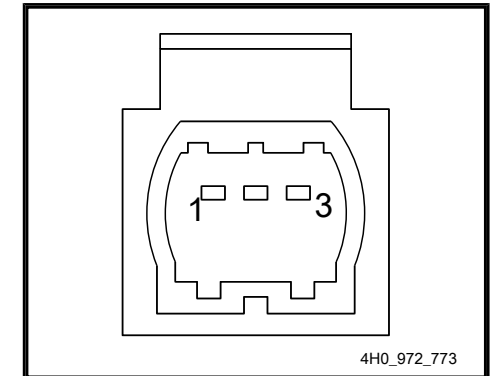


1.20 Right front thorax airbag coupling point -TSABVR-

◆ ⇒ ["1.20.1 3-pin connector T3da", page 33](#)

1.20.1 3-pin connector -T3da-

3-pin connector -T3da-



1.21 Front passenger seat backrest coupling point -TSB-

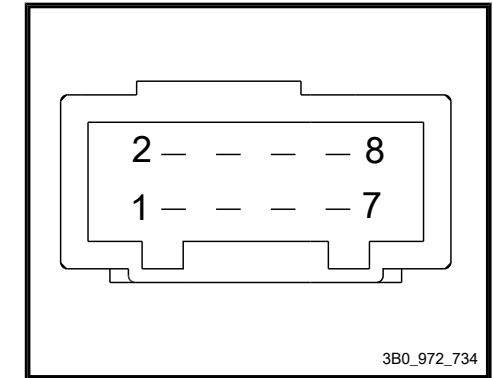
◆ ⇒ ["1.21.1 8-pin connector T8at", page 34](#)

◆ ⇒ ["1.21.2 8-pin connector T8ax", page 34](#)



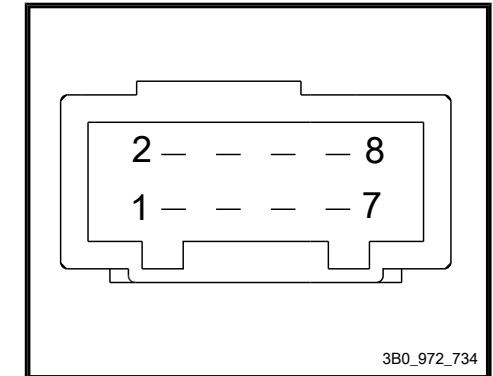
1.21.1 8-pin connector -T8at-

8-pin connector -T8at-



1.21.2 8-pin connector -T8ax-

8-pin connector -T8ax-

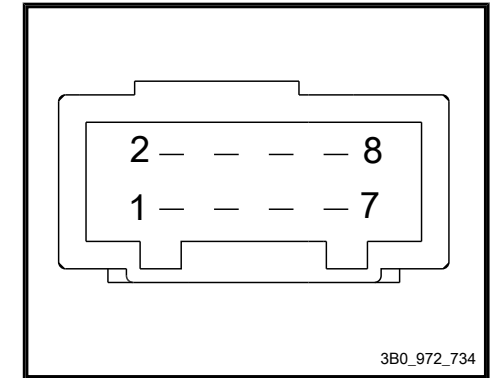


1.22 Driver seat backrest coupling point -TSF-

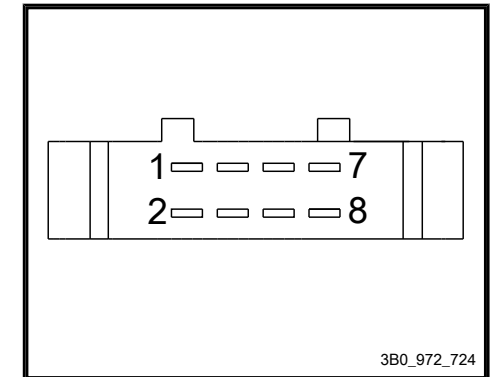
◆ ⇒ [“1.22.1 8-pin connector T8as ”, page 35](#)

◆ ⇒ [“1.22.2 8-pin connector T8au ”, page 35](#)

1.22.1 8-pin connector -T8as-  
8-pin connector -T8as-



1.22.2 8-pin connector -T8au-  
8-pin connector -T8au-

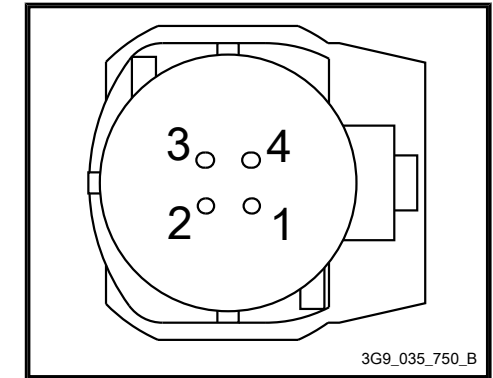


1.23 Coupling point on left front bumper -TSFVL-

◆ ⇒ ["1.23.1 5-pin connector T5a", page 36](#)

1.23.1 5-pin connector -T5a-

5-pin connector -T5a-



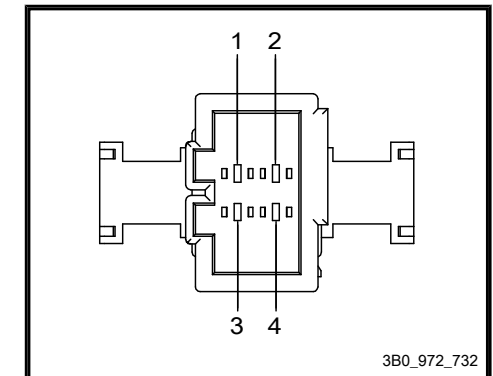
1.24 Left rear seat coupling station -TSHL-

◆ ⇒ [“1.24.1 4-pin connector T4cq”, page 36](#)

◆ ⇒ [“1.24.2 4-pin connector T4cr”, page 37](#)

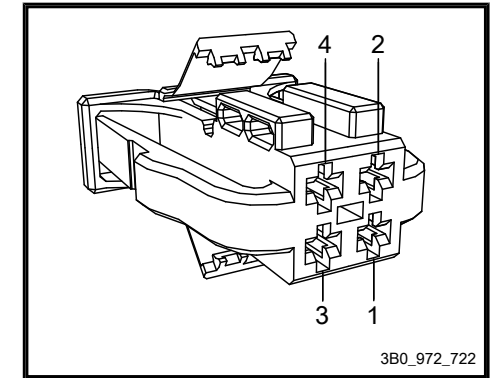
1.24.1 4-pin connector -T4cq-

4-pin connector -T4cq-



1.24.2 4-pin connector -T4cr-

4-pin connector -T4cr-



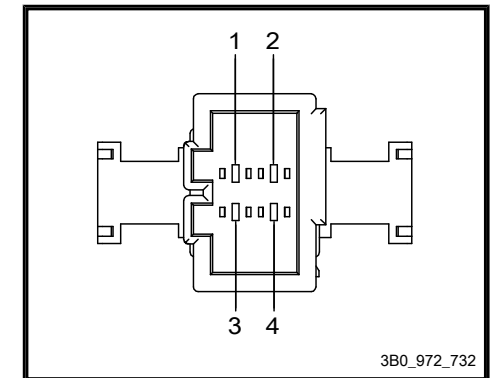
1.25 Right rear seat coupling station -TSHR-

◆ ⇒ [“1.25.1 4-pin connector T4cs ”, page 37](#)

◆ ⇒ [“1.25.2 4-pin connector T4ct ”, page 38](#)

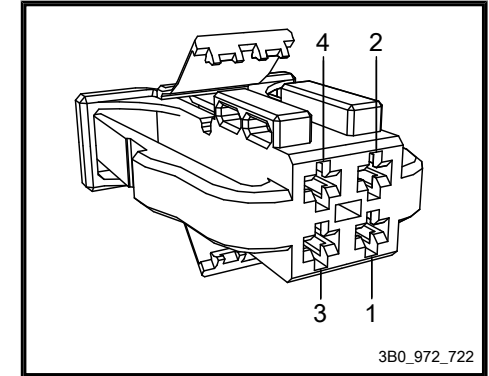
1.25.1 4-pin connector -T4cs-

4-pin connector -T4cs-



1.25.2 4-pin connector -T4ct-

4-pin connector -T4ct-



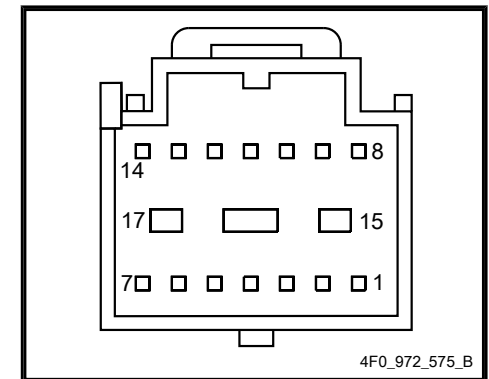
3B0\_972\_722

1.26 Left front seat coupling station -TSVL-

- ◆ ⇒ [“1.26.1 17-pin connector T17h”, page 38](#)
- ◆ ⇒ [“1.26.2 17-pin connector T17q”, page 39](#)
- ◆ ⇒ [“1.26.3 3-pin connector T3ad”, page 39](#)

1.26.1 17-pin connector -T17h-

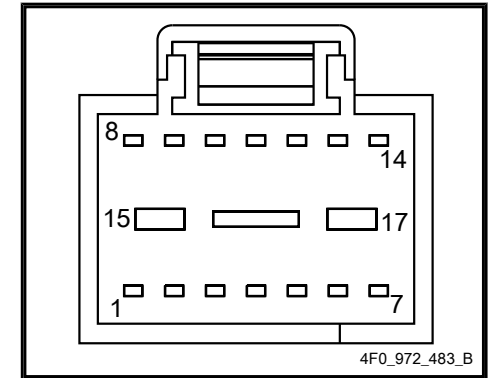
17-pin connector -T17h-



4F0\_972\_575\_B

**1.26.2 17-pin connector -T17q-**

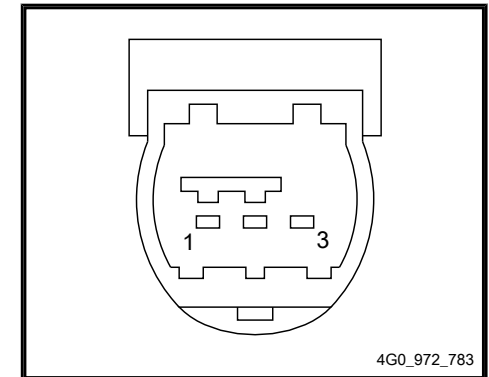
17-pin connector -T17q-



4F0\_972\_483\_B

**1.26.3 3-pin connector -T3ad-**

3-pin connector -T3ad-



4G0\_972\_783

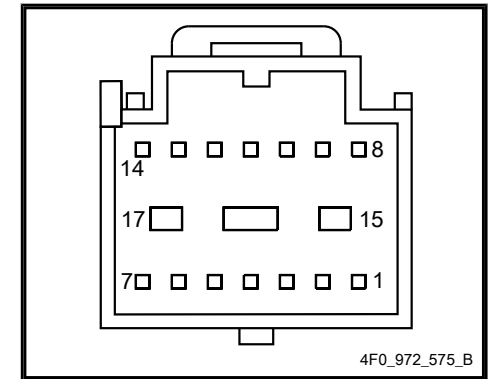
Cavity	Function	Cavity	Function
1		3	
2			

**1.27 Right front seat coupling station -TSVR-**

- ◆ ⇒ ["1.27.1 17-pin connector T17i", page 40](#)
- ◆ ⇒ ["1.27.2 17-pin connector T17r", page 40](#)
- ◆ ⇒ ["1.27.3 3-pin connector T3af", page 41](#)

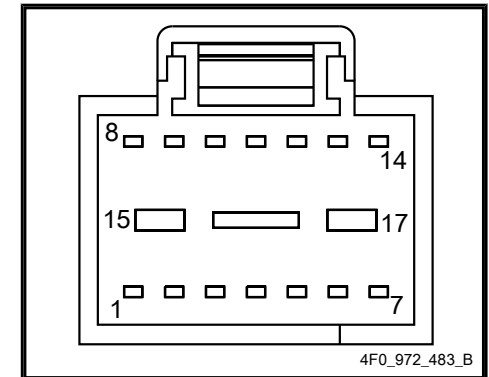
1.27.1 17-pin connector -T17i-

17-pin connector -T17i-



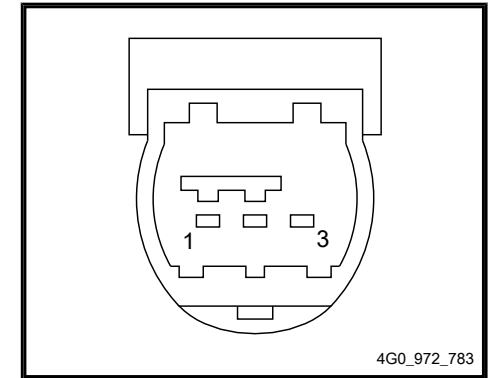
1.27.2 17-pin connector -T17r-

17-pin connector -T17r-



1.27.3 3-pin connector -T3af-

3-pin connector -T3af-

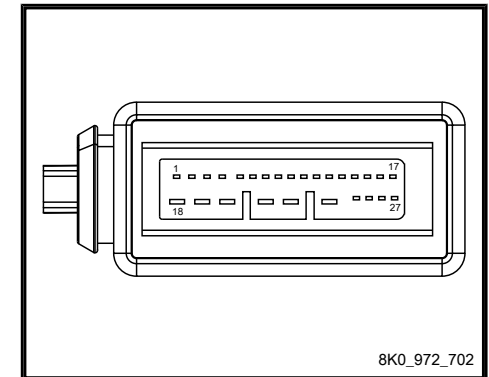


1.28 Left rear door coupling point -TTHL-

- ◆ ⇒ [“1.28.1 27-pin connector T27c ”, page 41](#)
- ◆ ⇒ [“1.28.2 27-pin connector T27g ”, page 42](#)
- ◆ ⇒ [“1.28.3 8-pin connector T8m ”, page 42](#)
- ◆ ⇒ [“1.28.4 8-pin connector T8s ”, page 43](#)
- ◆ ⇒ [“1.28.5 8-pin connector T8t ”, page 43](#)

1.28.1 27-pin connector -T27c-

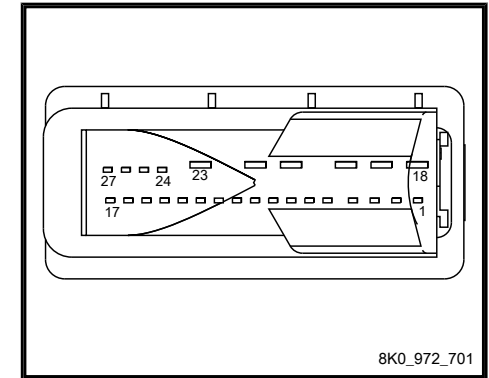
27-pin connector -T27c-





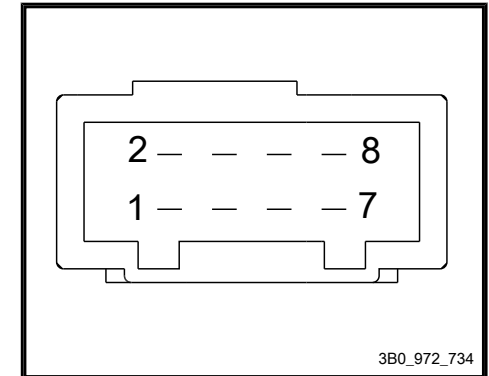
1.28.2 27-pin connector -T27g-

27-pin connector -T27g-



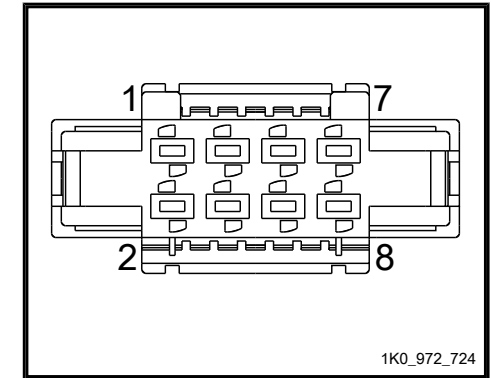
1.28.3 8-pin connector -T8m-

8-pin connector -T8m-



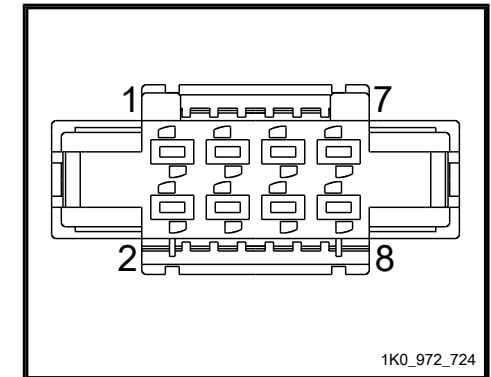
1.28.4 8-pin connector -T8s-

8-pin connector -T8s-



1.28.5 8-pin connector -T8t-

8-pin connector -T8t-

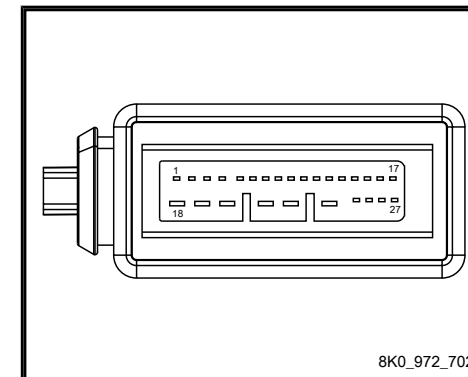


1.29 Right rear door coupling point -TTHR-

- ◆ ⇒ [“1.29.1 27-pin connector T27d”, page 44](#)
- ◆ ⇒ [“1.29.2 27-pin connector T27h”, page 44](#)
- ◆ ⇒ [“1.29.3 8-pin connector T8o”, page 45](#)

1.29.1 27-pin connector -T27d-

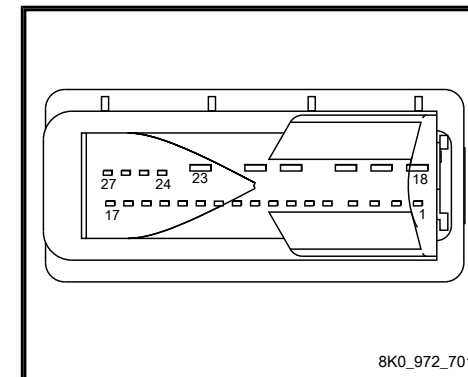
27-pin connector -T27d-



8K0\_972\_702

1.29.2 27-pin connector -T27h-

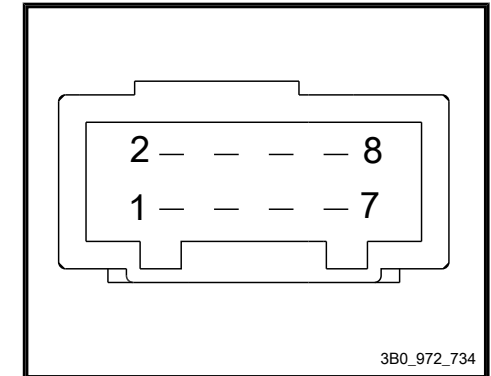
27-pin connector -T27h-



8K0\_972\_701

1.29.3 8-pin connector -T8o-

8-pin connector -T8o-

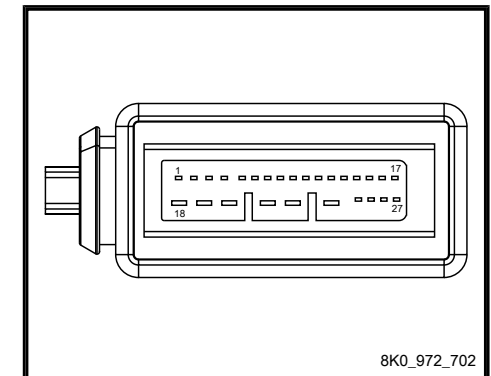


1.30 Left front door coupling point -TTVL-

- ◆ ⇒ [“1.30.1 27-pin connector T27a ”, page 45](#)
- ◆ ⇒ [“1.30.2 27-pin connector T27e ”, page 46](#)
- ◆ ⇒ [“1.30.3 29-pin connector T29a ”, page 46](#)
- ◆ ⇒ [“1.30.4 29-pin connector T29c ”, page 47](#)

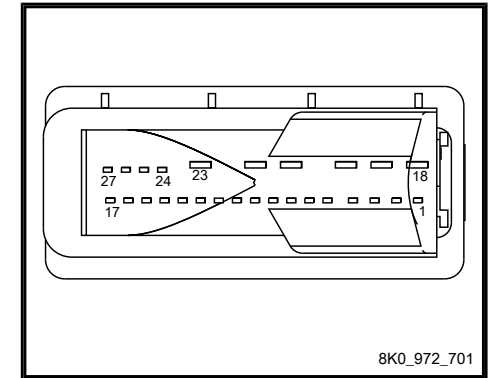
1.30.1 27-pin connector -T27a-

27-pin connector -T27a-



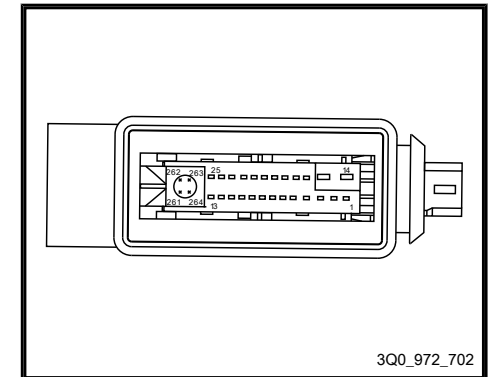
1.30.2 27-pin connector -T27e-

27-pin connector -T27e-



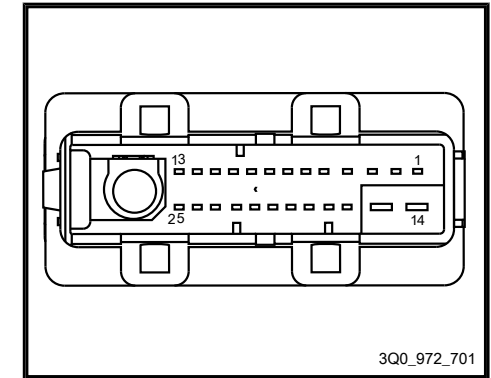
1.30.3 29-pin connector -T29a-

29-pin connector -T29a-



1.30.4 29-pin connector -T29c-

29-pin connector -T29c-

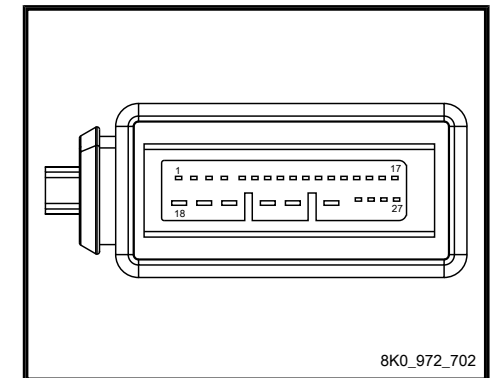


1.31 Right front door coupling point -TTVR-

- ◆ ⇒ [“1.31.1 27-pin connector T27b”, page 47](#)
- ◆ ⇒ [“1.31.2 27-pin connector T27f”, page 48](#)
- ◆ ⇒ [“1.31.3 29-pin connector T29b”, page 48](#)
- ◆ ⇒ [“1.31.4 29-pin connector T29d”, page 49](#)

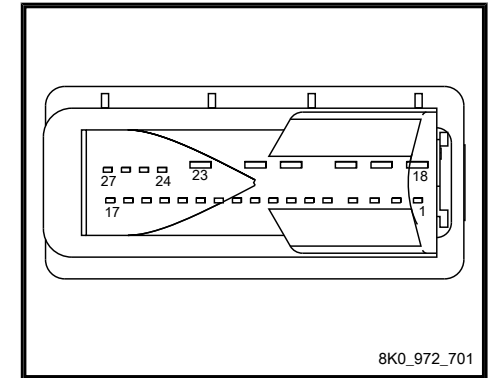
1.31.1 27-pin connector -T27b-

27-pin connector -T27b-



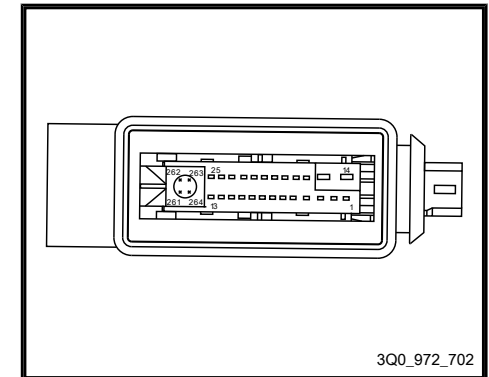
1.31.2 27-pin connector -T27f-

27-pin connector -T27f-



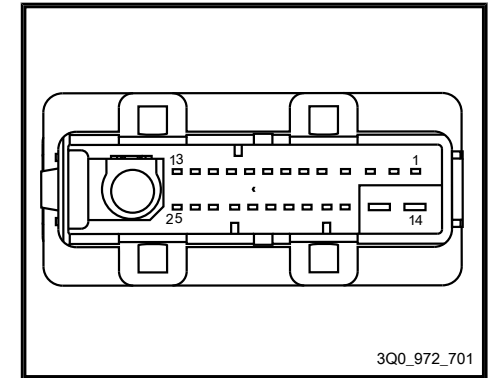
1.31.3 29-pin connector -T29b-

29-pin connector -T29b-



1.31.4 29-pin connector -T29d-

29-pin connector -T29d-

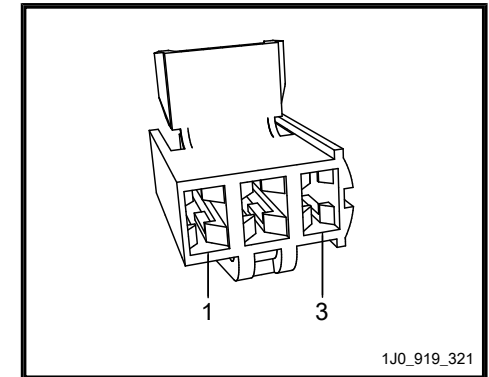


1.32 12 V socket -U5-

◆ ⇒ [“1.32.1 3-pin connector T3ac”, page 49](#)

1.32.1 3-pin connector -T3ac-

3-pin connector -T3ac-



Cavity	Function	Cavity	Function
1	Ground (31)	3	...
2	Power (15a)		

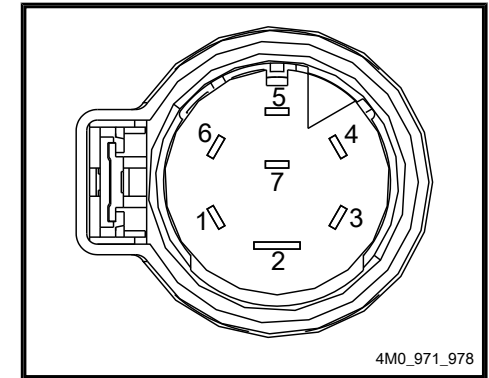
1.33 Trailer socket -U10-

◆ ⇒ [“1.33.1 7-pin connector T7a”, page 50](#)



**1.33.1 7-pin connector -T7a-**

7-pin connector -T7a-



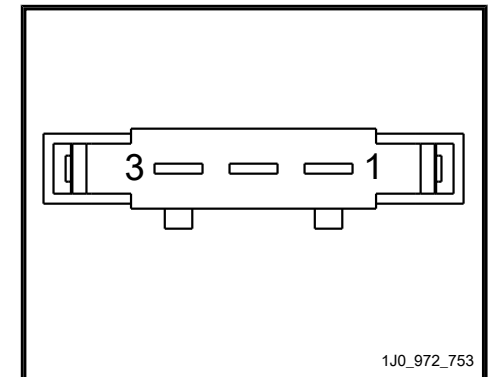
Cavity	Function	Cavity	Function
1	Signal (L)	5	Power (30a)
2	Ground (31)	6	Power (58)
3	Signal	7	Signal
4	Signal (R)		

**1.34 Converter with socket, 12 V-230 V -U13-**

◆ ⇒ ["1.34.1 3-pin connector T3y", page 50](#)

**1.34.1 3-pin connector -T3y-**

3-pin connector -T3y-



Cavity	Function	Cavity	Function
1	Ground (31)	3	LIN Bus

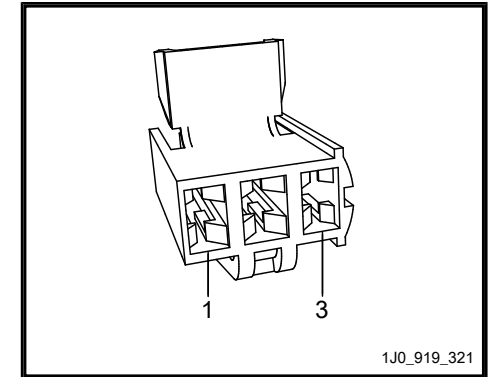
2	Power (30)		
---	------------	--	--

**1.35 12 V socket 2 -U18-**

◆ ⇒ ["1.35.1 3-pin connector T3x ", page 51](#)

**1.35.1 3-pin connector -T3x-**

3-pin connector -T3x-



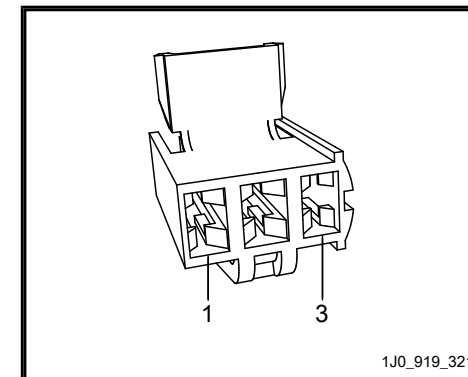
Cavity	Function	Cavity	Function
1	Ground (31)	3	Power (58)
2	Power (15a)		

**1.36 12 V socket 3 -U19-**

◆ ⇒ ["1.36.1 3-pin connector T3z ", page 52](#)

**1.36.1 3-pin connector -T3z-**

3-pin connector -T3z-



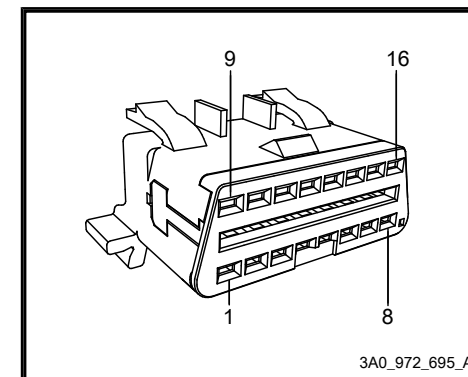
Cavity	Function	Cavity	Function
1	Ground (31)	3	Power (58)
2	Power (15a)		

**1.37 Diagnostic connection -U31-**

◆ ⇒ ["1.37.1 16-pin connector T16f", page 52](#)

**1.37.1 16-pin connector -T16f-**

16-pin connector -T16f-



Cavity	Function	Cavity	Function
1	Power	9	...
2	...	10	...
3	...	11	...

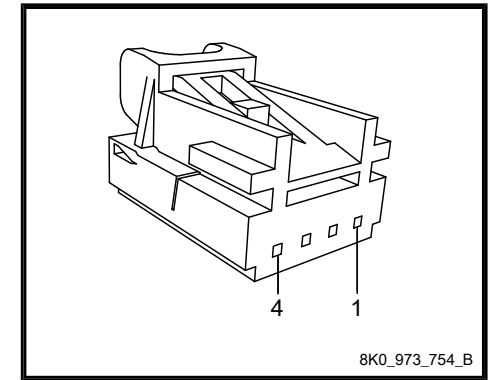
4	Ground (31)	12	...
5	Ground (31)	13	...
6	CAN H	14	CAN L
7	...	15	LIN Bus
8	...	16	Power (30a)

**1.38 USB charging socket 1 -U37-**

◆ ⇒ [“1.38.1 4-pin connector T4an”, page 53](#)

**1.38.1 4-pin connector -T4an-**

4-pin connector -T4an-



Cavity	Function	Cavity	Function
1	Power (15a)	3	...
2	Ground (31)	4	...

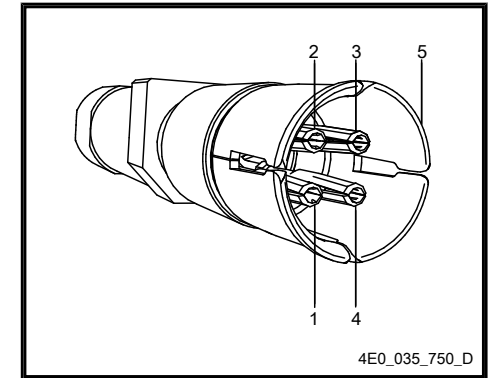
**1.39 USB connection 1 -U41-**

◆ ⇒ [“1.39.1 5-pin connector T5y”, page 54](#)

◆ ⇒ [“1.39.2 7-pin connector T7b”, page 54](#)

1.39.1 5-pin connector -T5y-

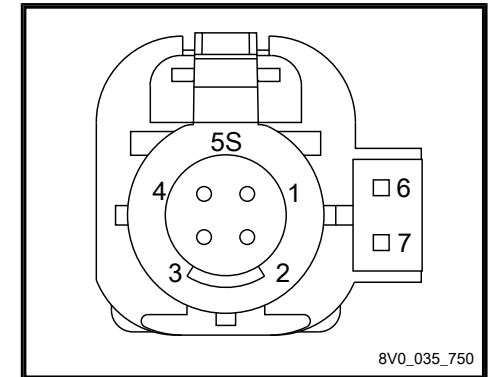
5-pin connector -T5y-



Cavity	Function	Cavity	Function
1	Ground	4	Signal
2	Signal	5	Shield
3	Signal		

1.39.2 7-pin connector -T7b-

7-pin connector -T7b-



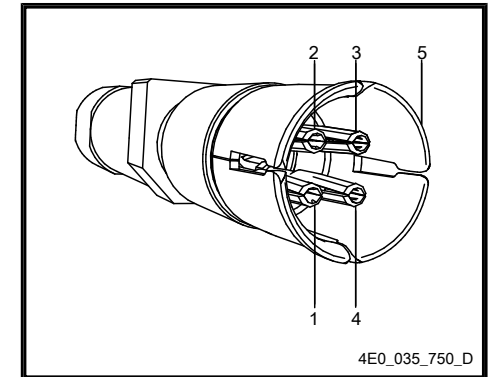
Cavity	Function	Cavity	Function
1	Ground	5	Shield
2	Signal	6	MMI Diagnostic
3	Signal	7	Diag Ground
4	Signal		

1.40 USB connection 2 -U42-

◆ ⇒ [“1.40.1 5-pin connector T5w”, page 55](#)

1.40.1 5-pin connector -T5w-

5-pin connector -T5w-



Cavity	Function	Cavity	Function
1	Ground	5	Shield
2	Signal (-)	6	...
3	Power (+5V)	7	...
4	Signal (+)	8	...

## 1 Conn. View: Component w/ Prefix V

- ◆ ⇒ [“1.1 Windshield wiper motor V”, page 2](#)
- ◆ ⇒ [“1.2 Headlamp washer system pump V11”, page 3](#)
- ◆ ⇒ [“1.3 Rear window wiper motor V12”, page 4](#)
- ◆ ⇒ [“1.4 Driver seat forward/back adjustment motor V28”, page 4](#)
- ◆ ⇒ [“1.5 Front passenger seat forward/back adjustment motor V31”, page 5](#)
- ◆ ⇒ [“1.6 Driver backrest adjustment motor V45”, page 5](#)
- ◆ ⇒ [“1.7 Front passenger backrest adjustment motor V46”, page 6](#)
- ◆ ⇒ [“1.8 Coolant recirculation pump V50”, page 7](#)
- ◆ ⇒ [“1.9 Windshield and rear window washer pump V59”, page 7](#)
- ◆ ⇒ [“1.10 Recirculation door motor V113”, page 8](#)
- ◆ ⇒ [“1.11 Driver seat lumbar support curvature adjustment motor V125”, page 9](#)
- ◆ ⇒ [“1.12 Driver seat height adjustment motor V138”, page 10](#)
- ◆ ⇒ [“1.13 Driver window regulator motor V147”, page 10](#)
- ◆ ⇒ [“1.14 Front passenger window regulator motor V148”, page 11](#)
- ◆ ⇒ [“1.15 Driver seat angle adjustment motor V243”, page 11](#)
- ◆ ⇒ [“1.16 Front passenger seat angle adjustment motor V244”, page 12](#)
- ◆ ⇒ [“1.17 Front passenger seat height adjustment motor V246”, page 13](#)
- ◆ ⇒ [“1.18 Left parking brake motor V282”, page 13](#)
- ◆ ⇒ [“1.19 Right parking brake motor V283”, page 14](#)
- ◆ ⇒ [“1.20 Rear air distribution door motor V427”, page 15](#)
- ◆ ⇒ [“1.21 Rear lid motor 1 V444”, page 16](#)
- ◆ ⇒ [“1.22 Rear lid motor 2 V445”, page 16](#)
- ◆ ⇒ [“1.23 Driver side rear window regulator motor V471”, page 17](#)
- ◆ ⇒ [“1.24 Passenger side rear window regulator motor V472”, page 18](#)
- ◆ ⇒ [“1.25 Heater support pump V488”, page 18](#)

- ◆ ⇒ [“1.26 Left front seat backrest fan 1 V512 ”, page 19](#)
- ◆ ⇒ [“1.27 Left front seat cushion fan 1 V514 ”, page 20](#)
- ◆ ⇒ [“1.28 Right front seat backrest fan 1 V516 ”, page 20](#)
- ◆ ⇒ [“1.29 Right front seat cushion fan 1 V518 ”, page 21](#)
- ◆ ⇒ [“1.30 Radiator shutter motor V544 ”, page 21](#)
- ◆ ⇒ [“1.31 Driver exterior rearview mirror VX4 ”, page 22](#)
- ◆ ⇒ [“1.32 Front passenger exterior rearview mirror VX5 ”, page 23](#)
- ◆ ⇒ [“1.33 Rear lid closing aid VX16 ”, page 24](#)
- ◆ ⇒ [“1.34 Driver door lock unit VX21 ”, page 25](#)
- ◆ ⇒ [“1.35 Front passenger door lock unit VX22 ”, page 25](#)
- ◆ ⇒ [“1.36 Left rear door lock unit VX23 ”, page 26](#)
- ◆ ⇒ [“1.37 Right rear door lock unit VX24 ”, page 27](#)
- ◆ ⇒ [“1.38 Rear lid lock unit VX25 ”, page 27](#)
- ◆ ⇒ [“1.39 Air distribution door VX33 ”, page 28](#)
- ◆ ⇒ [“1.40 Left front control temperature door VX34 ”, page 29](#)
- ◆ ⇒ [“1.41 Right front temperature control door VX35 ”, page 30](#)
- ◆ ⇒ [“1.42 Defroster door VX47 ”, page 30](#)
- ◆ ⇒ [“1.43 Air recirculation door VX52 ”, page 31](#)
- ◆ ⇒ [“1.44 Radiator fan VX57 ”, page 32](#)

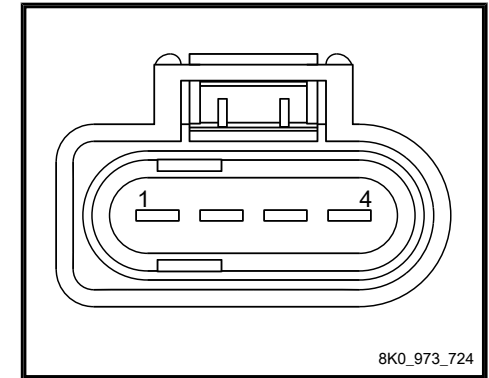
## 1.1 Windshield wiper motor -V-

- ◆ ⇒ [“1.1.1 4-pin connector T4bw ”, page 3](#)



1.1.1 4-pin connector -T4bw-

4-pin connector -T4bw-



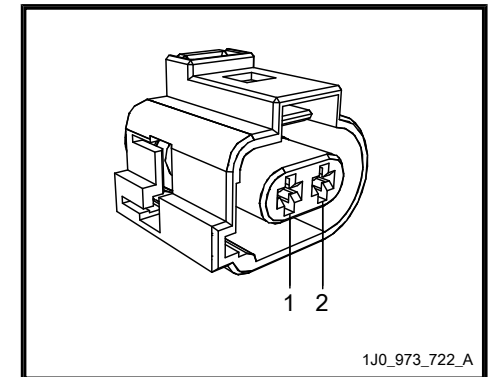
Cavity	Function	Cavity	Function
1	Power (53b)	3	Signal (-)
2	Power (53)	4	Ground (31)

1.2 Headlamp washer system pump -V11-

◆ ⇒ ["1.2.1 2-pin connector T2ek", page 3](#)

1.2.1 2-pin connector -T2ek-

2-pin connector -T2ek-



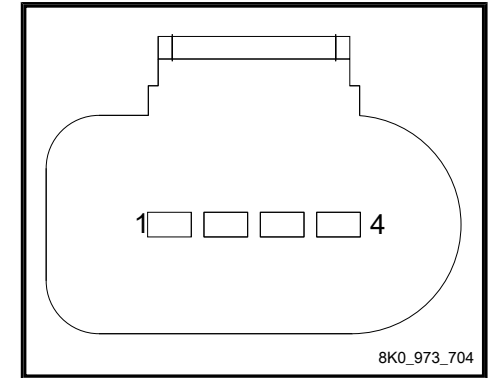
Cavity	Function	Cavity	Function
1	Ground (31)	2	Power

1.3 Rear window wiper motor -V12-

◆ ⇒ ["1.3.1 4-pin connector T4g", page 4](#)

1.3.1 4-pin connector -T4g-

4-pin connector -T4g-



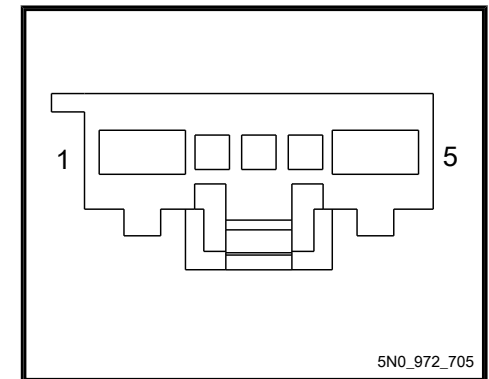
Cavity	Function	Cavity	Function
1	Ground (31)	3	Control Output
2	Control Output	4	Power (15a)

1.4 Driver seat forward/back adjustment motor -V28-

◆ ⇒ ["1.4.1 5-pin connector T5ah", page 4](#)

1.4.1 5-pin connector -T5ah-

5-pin connector -T5ah-



Cavity	Function	Cavity	Function
1	Control Output	4	Control Output

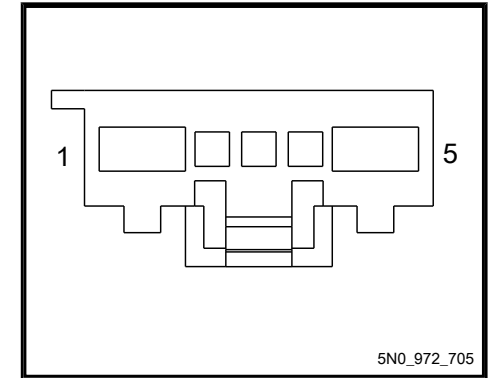
2	Ground	5	Control Output
3	...		

**1.5 Front passenger seat forward/back adjustment motor -V31-**

◆ ⇒ [“1.5.1 5-pin connector T5aj”, page 5](#)

**1.5.1 5-pin connector -T5aj-**

5-pin connector -T5aj-



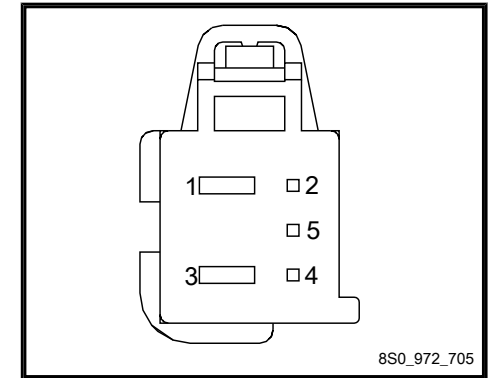
Cavity	Function	Cavity	Function
1	Control Output	4	...
2	...	5	Control Output
3	...		

**1.6 Driver backrest adjustment motor -V45-**

◆ ⇒ [“1.6.1 5-pin connector T5al”, page 6](#)

**1.6.1 5-pin connector -T5al-**

5-pin connector -T5al-



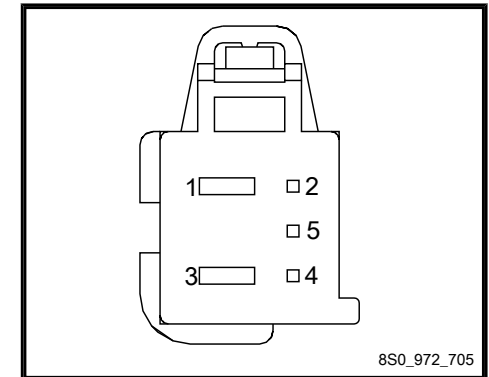
Cavity	Function	Cavity	Function
1	Control Output	4	Ground (if equipped)
2	Sensor Signal (if equipped)	5	...
3	Control Output		

**1.7 Front passenger backrest adjustment motor -V46-**

◆ ⇒ ["1.7.1 5-pin connector T5am", page 6](#)

**1.7.1 5-pin connector -T5am-**

5-pin connector -T5am-



Cavity	Function	Cavity	Function
1	Control Output	4	...
2	...	5	...

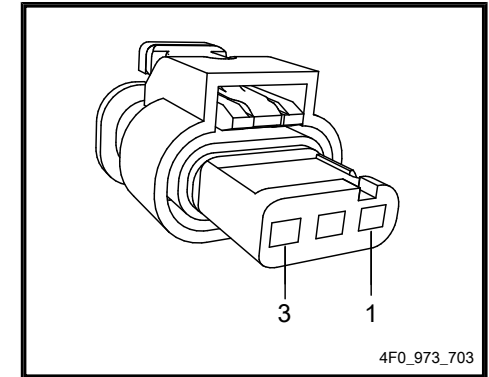
3	Control Output		
---	----------------	--	--

**1.8 Coolant recirculation pump -V50-**

◆ ⇒ [“1.8.1 3-pin connector T3aq”, page 7](#)

**1.8.1 3-pin connector -T3aq-**

3-pin connector -T3aq-



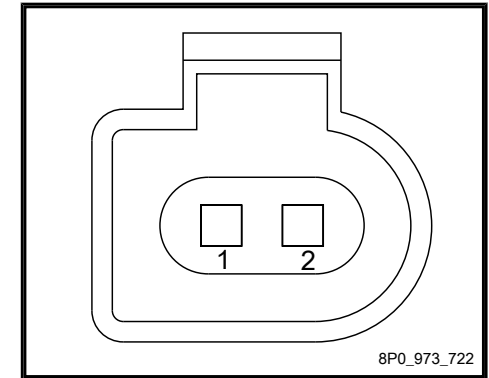
Cavity	Function	Cavity	Function
1	Ground (31)	3	Signal
2	Power (87a)		

**1.9 Windshield and rear window washer pump -V59-**

◆ ⇒ [“1.9.1 2-pin connector T2el”, page 8](#)

1.9.1 2-pin connector -T2el-

2-pin connector -T2el-



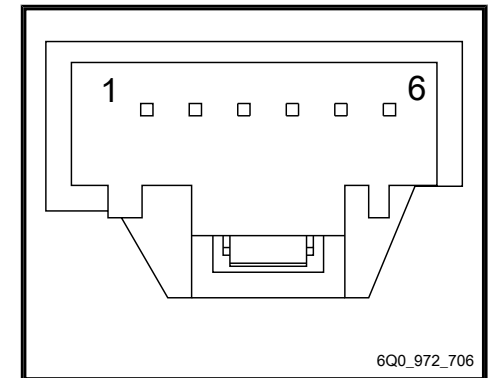
Cavity	Function	Cavity	Function
1	Signal (+)	2	Signal (-)

1.10 Recirculation door motor -V113-

◆ ⇒ ["1.10.1 6-pin connector T6y", page 8](#)

1.10.1 6-pin connector -T6y-

6-pin connector -T6y-



Cavity	Function	Cavity	Function
1	...	4	...
2	...	5	Control Output
3	...	6	Control Output

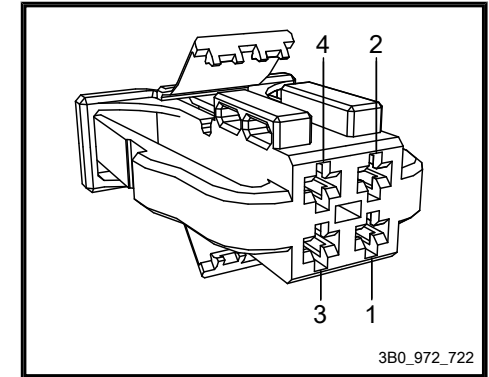
1.11 Driver seat lumbar support curvature adjustment motor -V125-

◆ ⇒ “1.11.1 4-pin connector T4cl w/ Memory”, page 9

◆ ⇒ “1.11.2 4-pin connector T4cm w/o Memory”, page 9

1.11.1 4-pin connector -T4cl- w/ Memory

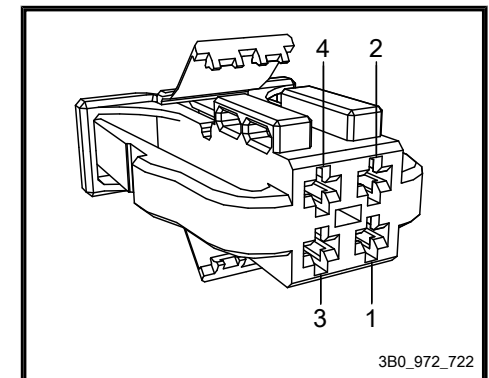
4-pin connector -T4cl-



Cavity	Function	Cavity	Function
1	Control Output	3	Ground
2	Control Output	4	Sensor output

1.11.2 4-pin connector -T4cm- w/o Memory

4-pin connector -T4cm-



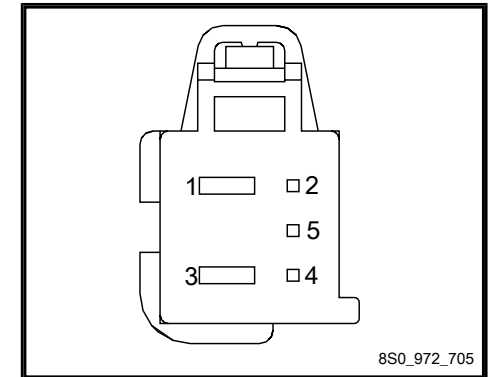
Cavity	Function	Cavity	Function
1	Control Output	3	...
2	Control Output	4	...

1.12 Driver seat height adjustment motor -V138-

◆ ⇒ [“1.12.1 5-pin connector T5af”, page 10](#)

1.12.1 5-pin connector -T5af-

5-pin connector -T5af-



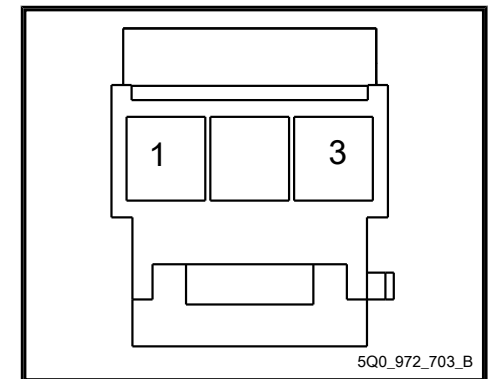
Cavity	Function	Cavity	Function
1	Control Output	4	Ground (if equipped)
2	Control Output (if equipped)	5	...
3	Control Output		

1.13 Driver window regulator motor -V147-

◆ ⇒ [“1.13.1 3-pin connector T3i”, page 10](#)

1.13.1 3-pin connector -T3i-

3-pin connector -T3i-





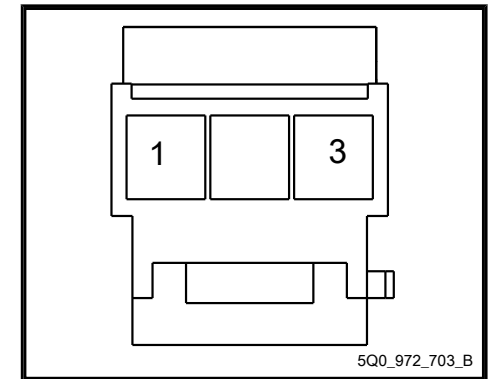
Cavity	Function	Cavity	Function
1	...	3	Control Output (-)
2	Control Output (+)		

1.14 Front passenger window regulator motor -V148-

◆ ⇒ ["1.14.1 3-pin connector T3j", page 11](#)

1.14.1 3-pin connector -T3j-

3-pin connector -T3j-



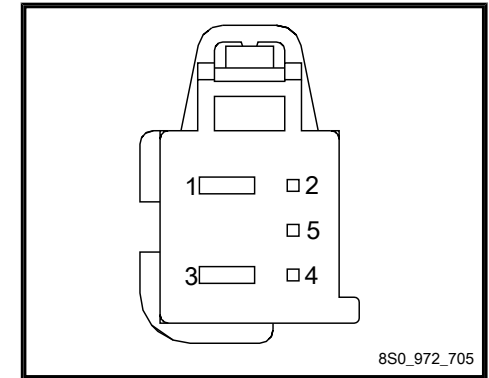
Cavity	Function	Cavity	Function
1	...	3	Control Output (-)
2	Control Output (+)		

1.15 Driver seat angle adjustment motor -V243-

◆ ⇒ ["1.15.1 5-pin connector T5ag", page 12](#)

**1.15.1 5-pin connector -T5ag-**

5-pin connector -T5ag-



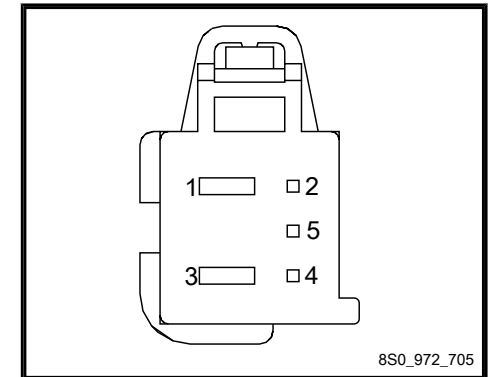
Cavity	Function	Cavity	Function
1	Control Output	4	Ground (if equipped)
2	Control Output (if equipped)	5	...
3	Control Output		

**1.16 Front passenger seat angle adjustment motor -V244-**

◆ ⇒ ["1.16.1 5-pin connector T5ai", page 12](#)

**1.16.1 5-pin connector -T5ai-**

5-pin connector -T5ai-



Cavity	Function	Cavity	Function
1	Control Output	4	...
2	...	5	...

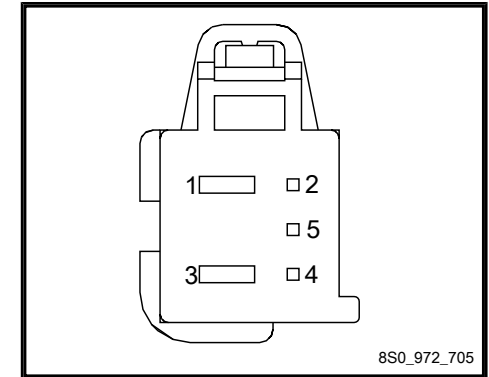
3	Control Output		
---	----------------	--	--

**1.17 Front passenger seat height adjustment motor -V246-**

◆ ⇒ [“1.17.1 5-pin connector T5ak”, page 13](#)

**1.17.1 5-pin connector -T5ak-**

5-pin connector -T5ak-



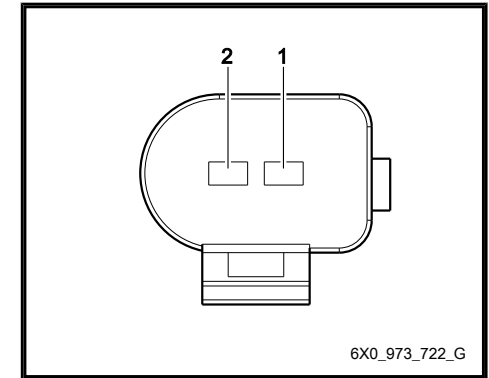
Cavity	Function	Cavity	Function
1	Control Output	4	...
2	...	5	...
3	Control Output		

**1.18 Left parking brake motor -V282-**

◆ ⇒ [“1.18.1 2-pin connector T2dh”, page 14](#)

1.18.1 2-pin connector -T2dh-

2-pin connector -T2dh-



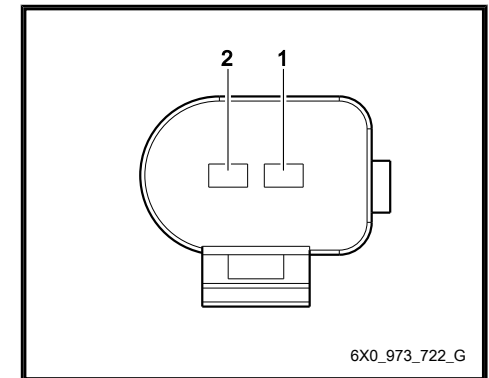
Cavity	Function	Cavity	Function
1	Control Output	2	Control Output

1.19 Right parking brake motor -V283-

◆ ⇒ ["1.19.1 2-pin connector T2di", page 14](#)

1.19.1 2-pin connector -T2di-

2-pin connector -T2di-



Cavity	Function	Cavity	Function
1	Control Output	2	Control Output

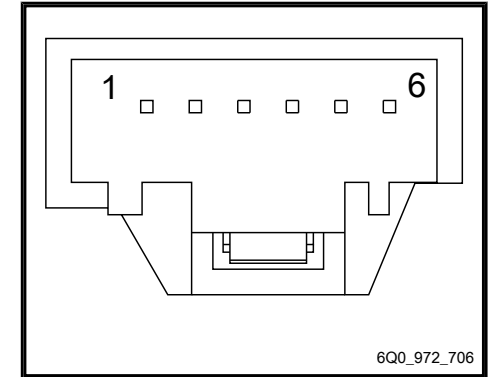
1.20 Rear air distribution door motor -V427-

◆ ⇒ ["1.20.1 6-pin connector T6af", page 15](#)

◆ ⇒ ["1.20.2 6-pin connector T6ag", page 15](#)

1.20.1 6-pin connector -T6af-

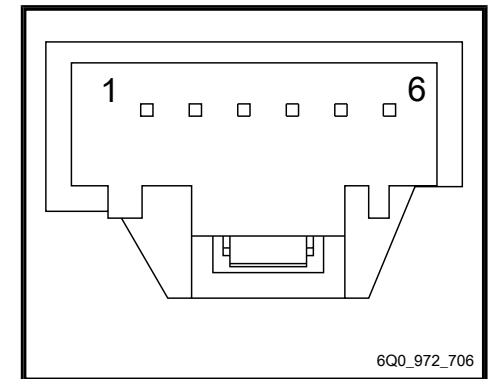
6-pin connector -T6af-



Cavity	Function	Cavity	Function
1	TBD	4	TBD
2	TBD	5	TBD
3	TBD	6	TBD

1.20.2 6-pin connector -T6ag-

6-pin connector -T6ag-



Cavity	Function	Cavity	Function
1	TBD	4	TBD

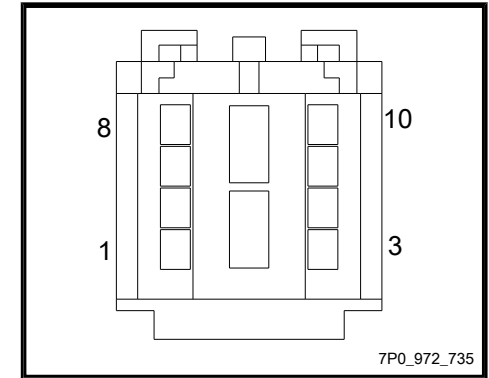
2	TBD	5	TBD
3	TBD	6	TBD

1.21 Rear lid motor 1 -V444-

◆ ⇒ [“1.21.1 10-pin connector T10m”, page 16](#)

1.21.1 10-pin connector -T10m-

10-pin connector -T10m-



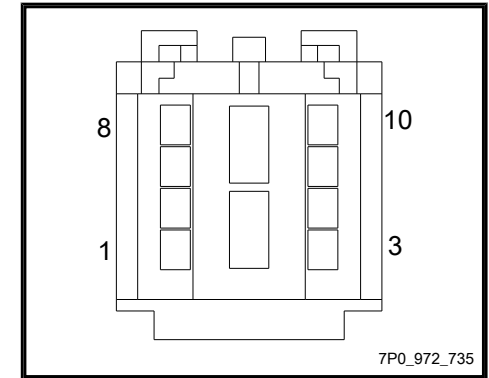
Cavity	Function	Cavity	Function
1	Ground	6	...
2	Signal (+)	7	...
3	Control Output	8	Control Output
4	...	9	Signal (-)
5	...	10	Control Output

1.22 Rear lid motor 2 -V445-

◆ ⇒ [“1.22.1 10-pin connector T10k”, page 17](#)

1.22.1 10-pin connector -T10k-

10-pin connector -T10k-



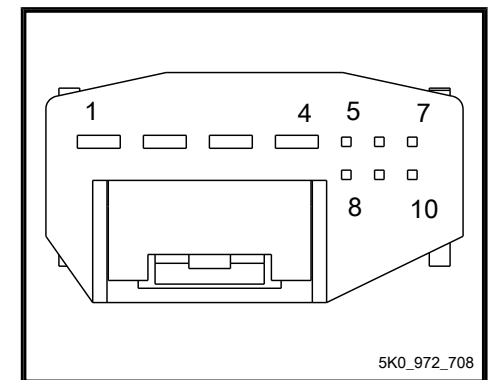
Cavity	Function	Cavity	Function
1	Ground	6	...
2	Signal (+)	7	...
3	Control Output	8	Control Output
4	...	9	Signal (-)
5	...	10	Control Output

1.23 Driver side rear window regulator motor -V471-

◆ => ["1.23.1 10-pin connector T10d", page 17](#)

1.23.1 10-pin connector -T10d-

10-pin connector -T10d-



Cavity	Function	Cavity	Function

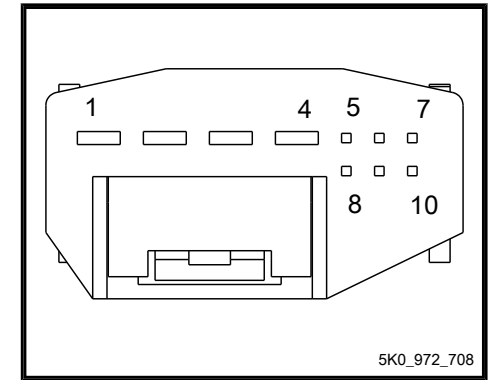
1	...	6	Signal (-)
2	Power (30a)	7	LIN-Bus
3	Ground (31)	8	...
4	Signal (+)	9	...
5	...	10	...

**1.24 Passenger side rear window regulator motor -V472-**

◆ ⇒ [“1.24.1 10-pin connector T10e”, page 18](#)

**1.24.1 10-pin connector -T10e-**

10-pin connector -T10e-



Cavity	Function	Cavity	Function
1	...	6	Signal (-)
2	Power (30a)	7	LIN-Bus
3	Ground (31)	8	...
4	Signal (+)	9	...
5	...	10	...

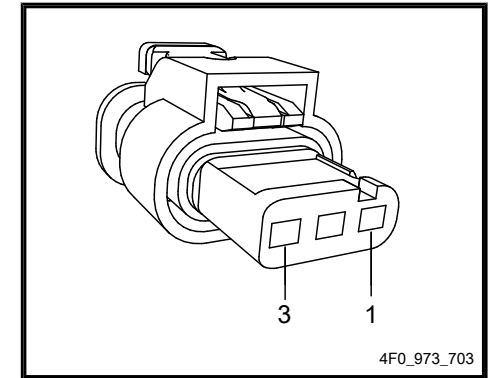
**1.25 Heater support pump -V488-**

◆ ⇒ [“1.25.1 3-pin connector T3av”, page 19](#)



1.25.1 3-pin connector -T3av-

3-pin connector -T3av-



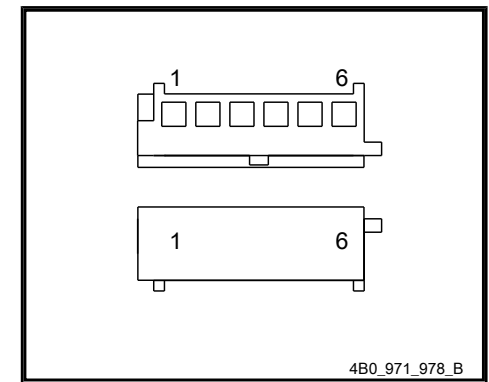
Cavity	Function	Cavity	Function
1	Ground (31)	3	Control Output
2	Power (30)		

1.26 Left front seat backrest fan 1 -V512-

◆ => "1.26.1 6-pin connector T6ao", page 19

1.26.1 6-pin connector -T6ao-

6-pin connector -T6ao-



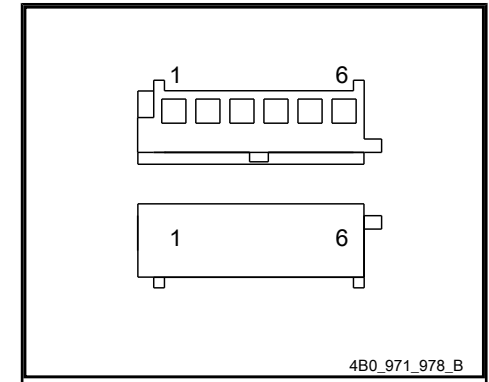
Cavity	Function	Cavity	Function
1	Power (30a)	4	...
2	Ground (31)	5	...
3	LIN Bus	6	...

1.27 Left front seat cushion fan 1 -V514-

◆ ⇒ [“1.27.1 6-pin connector T6aj”, page 20](#)

1.27.1 6-pin connector -T6aj-

6-pin connector -T6aj-



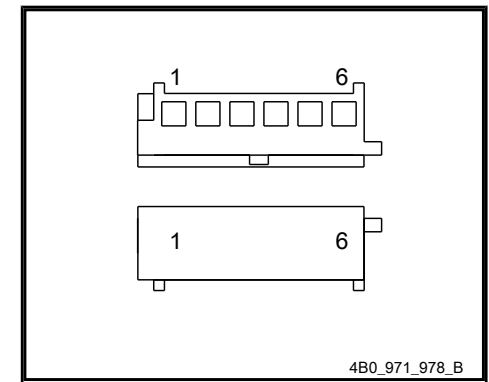
Cavity	Function	Cavity	Function
1	Power (30a)	4	Ground (31)
2	Ground (31)	5	...
3	LIN Bus	6	...

1.28 Right front seat backrest fan 1 -V516-

◆ ⇒ [“1.28.1 6-pin connector T6ap”, page 20](#)

1.28.1 6-pin connector -T6ap-

6-pin connector -T6ap-



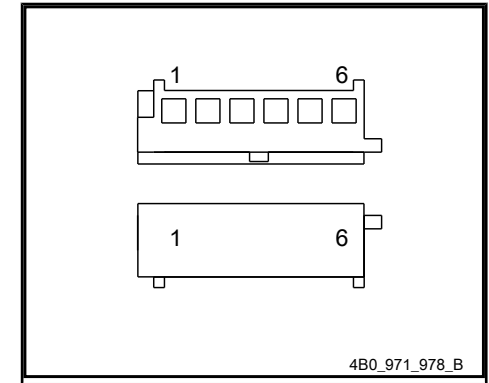
Cavity	Function	Cavity	Function
1	Power (30a)	4	...
2	Ground (31)	5	...
3	LIN Bus	6	Ground (31) (if equipped)

**1.29 Right front seat cushion fan 1 -V518-**

◆ ⇒ ["1.29.1 6-pin connector T6an", page 21](#)

**1.29.1 6-pin connector -T6an-**

6-pin connector -T6an-



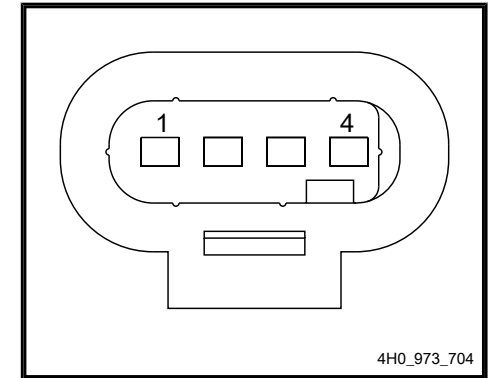
Cavity	Function	Cavity	Function
1	Power (30a)	4	Ground (31)
2	Ground (31)	5	...
3	LIN Bus	6	Ground (31)

**1.30 Radiator shutter motor -V544-**

◆ ⇒ ["1.30.1 4-pin connector T4bv", page 22](#)

1.30.1 4-pin connector -T4bv-

4-pin connector -T4bv-



Cavity	Function	Cavity	Function
1	Ground (31)	3	...
2	Output Control	4	Power (30a)

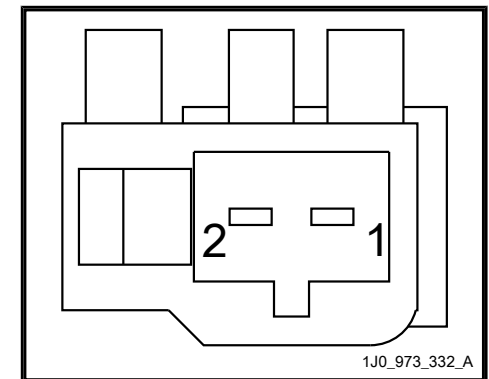
1.31 Driver exterior rearview mirror -VX4-

◆ ⇒ ["1.31.1 2-pin connector T2n", page 22](#)

◆ ⇒ ["1.31.2 5-pin connector T5d", page 23](#)

1.31.1 2-pin connector -T2n-

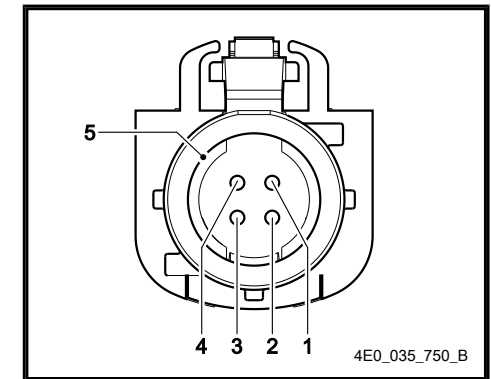
2-pin connector -T2n-



Cavity	Function	Cavity	Function
1	Signal (+)	2	Ground (31)

1.31.2 5-pin connector -T5d-

-pin connector -T5d-



Cavity	Function	Cavity	Function
1	Output Control	4	Ground (31)
2	Output Control	5	...
3	Output Control		

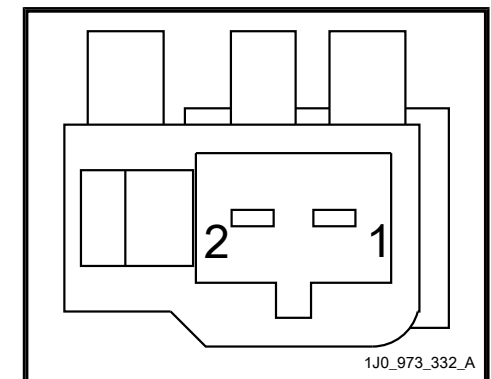
1.32 Front passenger exterior rearview mirror -VX5-

◆ ⇒ ["1.32.1 2-pin connector T2s", page 23](#)

◆ ⇒ ["1.32.2 5-pin connector T5e", page 24](#)

1.32.1 2-pin connector -T2s-

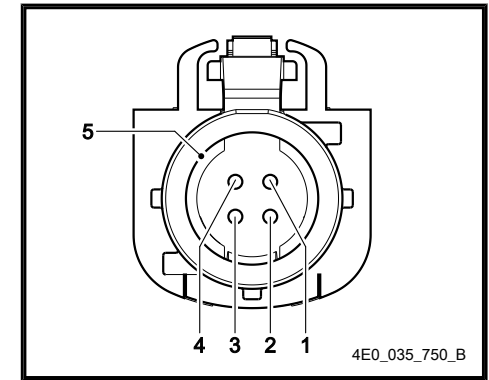
-pin connector -T2s-



Cavity	Function	Cavity	Function

1	Signal (+)	2	Ground (31)
---	------------	---	-------------

1.32.2 5-pin connector -T5e-  
-pin connector -T5e-



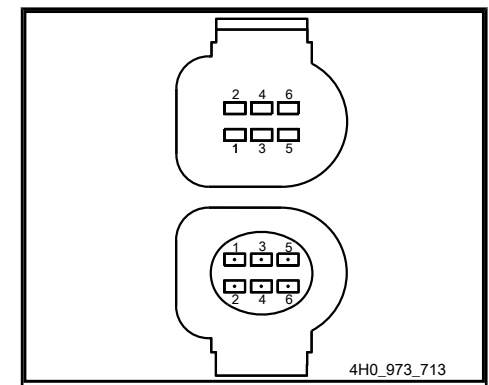
Cavity	Function	Cavity	Function
1	Output Control	4	Ground (31)
2	Output Control	5	...
3	Output Control		

1.33 Rear lid closing aid -VX16-

◆ => ["1.33.1 6-pin connector T6c", page 24](#)

1.33.1 6-pin connector -T6c-

6-pin connector -T6c-



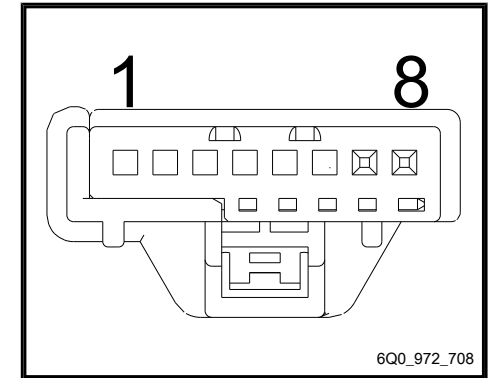
Cavity	Function	Cavity	Function
1	...	4	Ground
2	Power (30a)	5	Control Input
3	Ground (31)	6	Ground (31)

**1.34 Driver door lock unit -VX21-**

◆ ⇒ ["1.34.1 8-pin connector T8h", page 25](#)

**1.34.1 8-pin connector -T8h-**

8-pin connector -T8h-



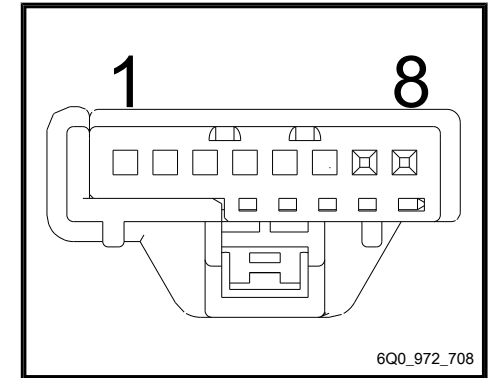
Cavity	Function	Cavity	Function
1	Control Input	5	...
2	Ground (31)	6	Control Output
3	Signal	7	Control Output
4	Control Input	8	...

**1.35 Front passenger door lock unit -VX22-**

◆ ⇒ ["1.35.1 8-pin connector T8j", page 26](#)

1.35.1 8-pin connector -T8j-

8-pin connector -T8j-



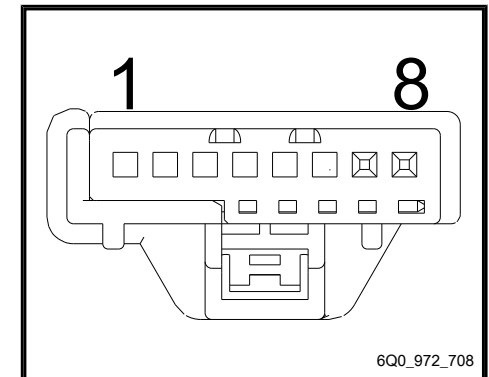
Cavity	Function	Cavity	Function
1	Control Output	5	Control Input
2	Control Output	6	Ground (31)
3	...	7	...
4	Signal	8	...

1.36 Left rear door lock unit -VX23-

◆ ⇒ ["1.36.1 8-pin connector T8l", page 26](#)

1.36.1 8-pin connector -T8l-

8-pin connector -T8l-



Cavity	Function	Cavity	Function
1	Ground (31)	5	Ground



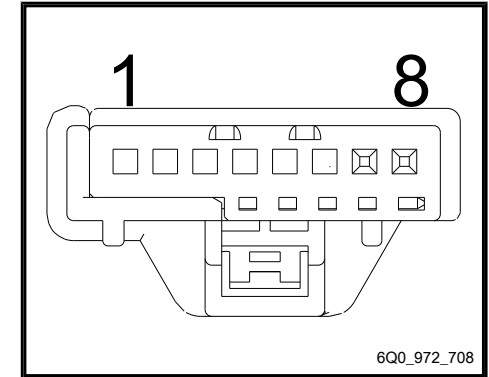
2	Control Output	6	Control Output
3	Control Output	7	...
4	...	8	...

**1.37 Right rear door lock unit -VX24-**

◆ ⇒ [“1.37.1 8-pin connector T8n”, page 27](#)

**1.37.1 8-pin connector -T8n-**

8-pin connector -T8n-



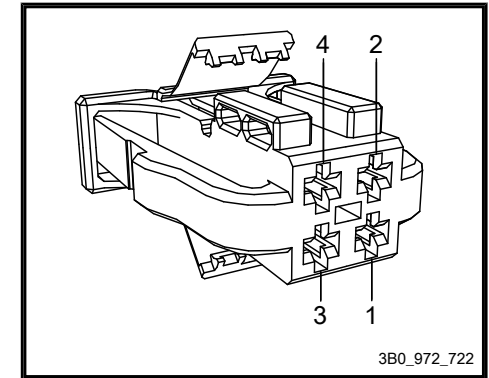
Cavity	Function	Cavity	Function
1	Ground	5	Control Output
2	Control Output	6	Ground (31)
3	...	7	...
4	Control Output	8	...

**1.38 Rear lid lock unit -VX25-**

◆ ⇒ [“1.38.1 4-pin connector T4f”, page 28](#)

1.38.1 4-pin connector -T4f-

4-pin connector -T4f-



Cavity	Function	Cavity	Function
1	Control Output	3	Ground (31)
2	Ground	4	Control Output

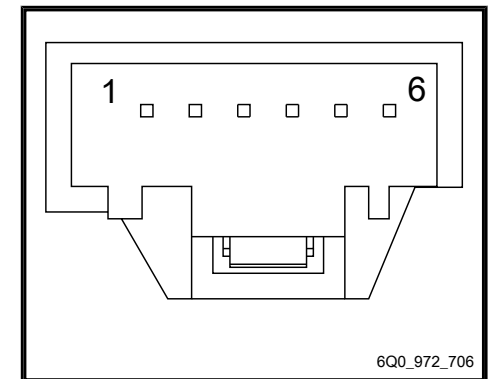
1.39 Air distribution door -VX33-

◆ ⇒ ["1.39.1 6-pin connector T6ae", page 28](#)

◆ ⇒ ["1.39.2 6-pin connector T6z", page 29](#)

1.39.1 6-pin connector -T6ae-

6-pin connector -T6ae-

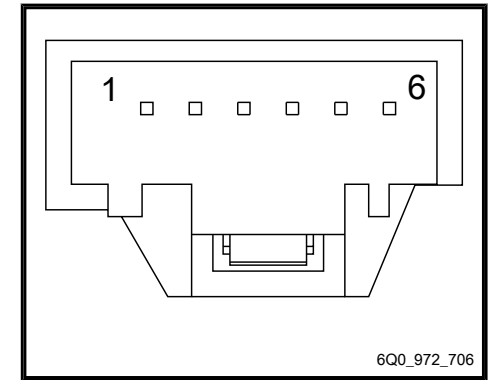


Cavity	Function	Cavity	Function
1	Ground (31)	4	...
2	Control Input	5	Control Input

3	Power (+5V)	6	Control Input
---	-------------	---	---------------

1.39.2 6-pin connector -T6z-

6-pin connector -T6z-



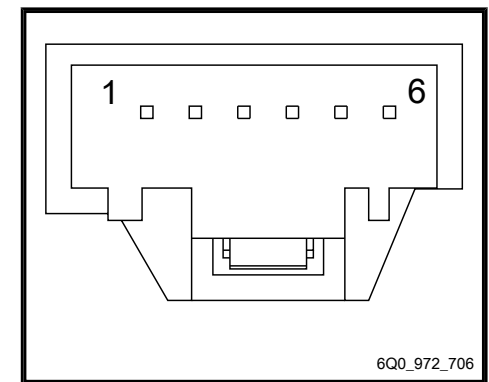
Cavity	Function	Cavity	Function
1	Ground (31)	4	...
2	Control Input	5	Control Input
3	Power (+5V)	6	Control Input

1.40 Left front control temperature door -VX34-

◆ => ["1.40.1 6-pin connector T6aa", page 29](#)

1.40.1 6-pin connector -T6aa-

6-pin connector -T6aa-



Cavity	Function	Cavity	Function

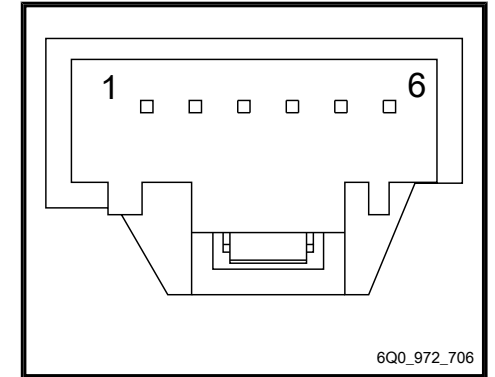
1	Ground (31)	4	...
2	Control Input	5	Control Input
3	Power (+5V)	6	Control Input

**1.41 Right front temperature control door -VX35-**

◆ ⇒ ["1.41.1 6-pin connector T6ad", page 30](#)

**1.41.1 6-pin connector -T6ad-**

6-pin connector -T6ad-



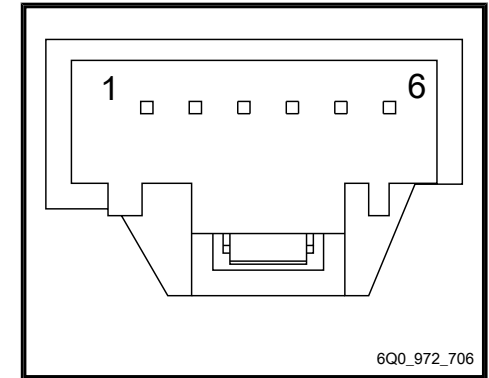
Cavity	Function	Cavity	Function
1	Power (+5V)	4	...
2	Control Input	5	Control Input
3	Ground (31)	6	Control Input

**1.42 Defroster door -VX47-**

◆ ⇒ ["1.42.1 6-pin connector T6ac", page 31](#)

1.42.1 6-pin connector -T6ac-

6-pin connector -T6ac-



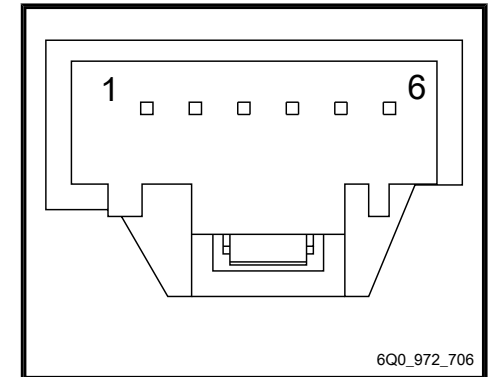
Cavity	Function	Cavity	Function
1	Power (+5V)	4	...
2	Control Input	5	Control Input
3	Ground (31)	6	Control Input

1.43 Air recirculation door -VX52-

◆ => ["1.43.1 6-pin connector T6ab", page 31](#)

1.43.1 6-pin connector -T6ab-

6-pin connector -T6ab-



Cavity	Function	Cavity	Function
1	Ground (31)	4	...
2	Control Input	5	Control Input

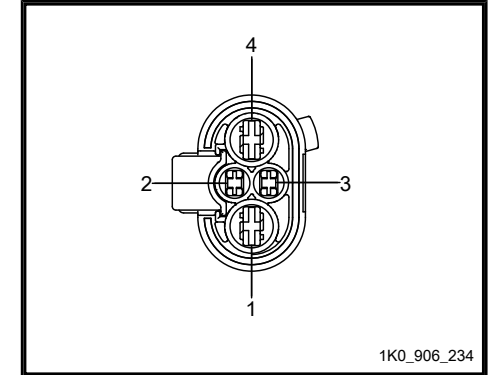
3	Power (+5V)	6	Control Input
---	-------------	---	---------------

1.44 Radiator fan -VX57-

◆ ⇒ ["1.44.1 4-pin connector T4bo", page 32](#)

1.44.1 4-pin connector -T4bo-

4-pin connector -T4bo-



Cavity	Function	Cavity	Function
1	Power (30)	3	Control Input
2	Power (87a)	4	Ground (31)

## 1 Conn. View: Component w/ Prefix W to Z

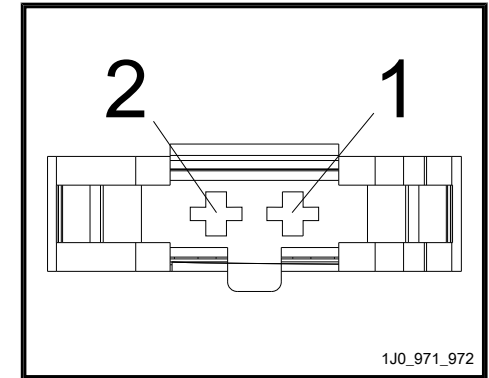
- ◆ ⇒ [“1.1 Luggage compartment lamp W3 ”, page 1](#)
- ◆ ⇒ [“1.2 Glove compartment lamp W6 ”, page 2](#)
- ◆ ⇒ [“1.3 Front passenger vanity mirror lamp W14 ”, page 3](#)
- ◆ ⇒ [“1.4 Driver vanity mirror lamp W20 ”, page 3](#)
- ◆ ⇒ [“1.5 Driver door warning lamp W30 ”, page 4](#)
- ◆ ⇒ [“1.6 Front passenger door warning lamp W36 ”, page 4](#)
- ◆ ⇒ [“1.7 Left rear interior lamp W47 ”, page 5](#)
- ◆ ⇒ [“1.8 Right rear interior lamp W48 ”, page 5](#)
- ◆ ⇒ [“1.9 Interior lamp W64 ”, page 6](#)
- ◆ ⇒ [“1.10 Driver side door ambient lighting lamp W86 ”, page 7](#)
- ◆ ⇒ [“1.11 Passenger side door ambient lighting lamp W87 ”, page 7](#)
- ◆ ⇒ [“1.12 Luggage compartment lamp 2 W115 ”, page 8](#)
- ◆ ⇒ [“1.13 Front interior lamp WX1 ”, page 8](#)
- ◆ ⇒ [“1.14 Rear interior lamp WX2 ”, page 9](#)
- ◆ ⇒ [“1.15 Left license plate lamp X4 ”, page 9](#)
- ◆ ⇒ [“1.16 Right license plate lamp X5 ”, page 10](#)
- ◆ ⇒ [“1.17 Front passenger backrest heating element Z9 ”, page 11](#)
- ◆ ⇒ [“1.18 Left washer nozzle heater Z20 ”, page 11](#)
- ◆ ⇒ [“1.19 Right washer nozzle heater Z21 ”, page 12](#)
- ◆ ⇒ [“1.20 Window defogger for front sensor system Z113 ”, page 12](#)
- ◆ ⇒ [“1.21 Left rear seat heater ZX10 ”, page 13](#)
- ◆ ⇒ [“1.22 Right rear seat heater ZX12 ”, page 13](#)
- ◆ ⇒ [“1.23 Front passenger seat heating element with seat occupant detection control module ZX14 ”, page 14](#)

### 1.1 Luggage compartment lamp -W3-

- ◆ ⇒ [“1.1.1 2-pin connector T2ct ”, page 2](#)

1.1.1 2-pin connector -T2ct-

2-pin connector -T2ct-



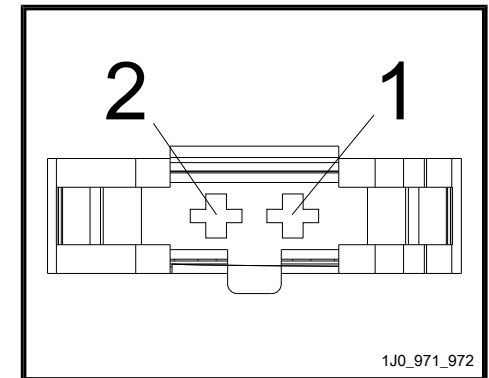
Cavity	Function	Cavity	Function
1	Ground (31)	2	Power (30)

1.2 Glove compartment lamp -W6-

◆ ⇒ ["1.2.1 2-pin connector T2bw", page 2](#)

1.2.1 2-pin connector -T2bw-

2-pin connector -T2bw-



Cavity	Function	Cavity	Function
1	Ground (31)	2	Power (30)

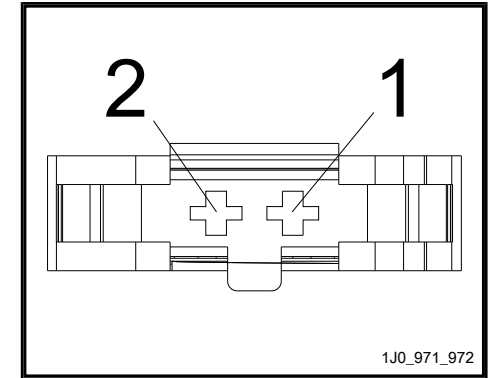


1.3 Front passenger vanity mirror lamp -W14-

◆ ⇒ ["1.3.1 2-pin connector T2c", page 3](#)

1.3.1 2-pin connector -T2c-

2-pin connector -T2c-



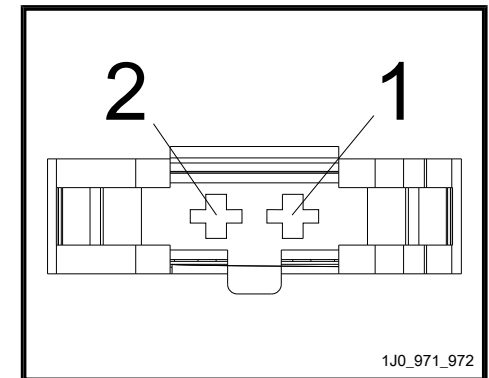
Cavity	Function	Cavity	Function
1	Ground (31)	2	Power (30)

1.4 Driver vanity mirror lamp -W20-

◆ ⇒ ["1.4.1 2-pin connector T2d", page 3](#)

1.4.1 2-pin connector -T2d-

2-pin connector -T2d-



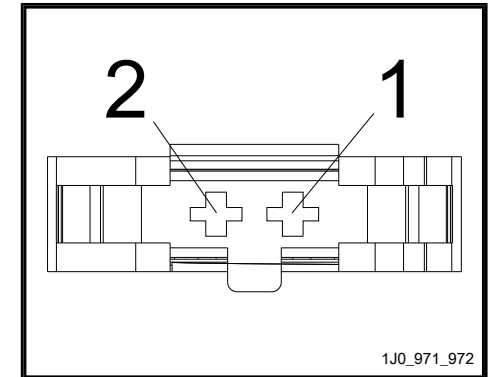
Cavity	Function	Cavity	Function
1	Ground (31)	2	Power (30)

1.5 Driver door warning lamp -W30-

◆ ⇒ [“1.5.1 2-pin connector T2ab”, page 4](#)

1.5.1 2-pin connector -T2ab-

2-pin connector -T2ab-



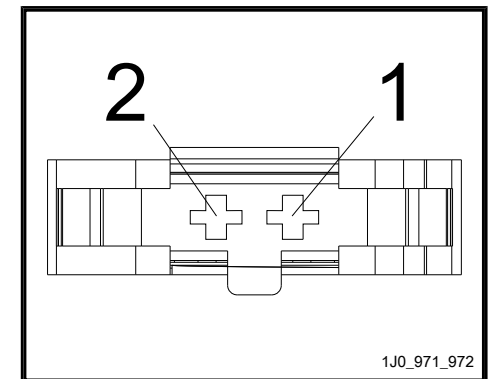
Cavity	Function	Cavity	Function
1	Ground (31)	2	Signal (+)

1.6 Front passenger door warning lamp -W36-

◆ ⇒ [“1.6.1 2-pin connector T2ac”, page 4](#)

1.6.1 2-pin connector -T2ac-

2-pin connector -T2ac-



Cavity	Function	Cavity	Function

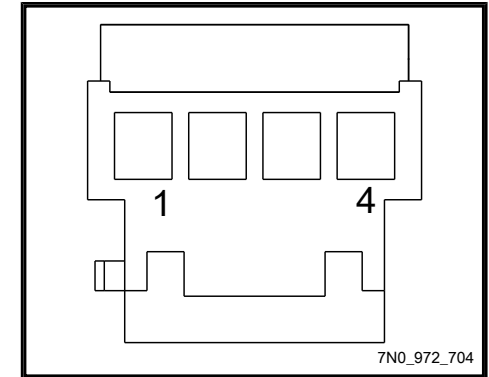
1	Ground (31)	2	Signal (+)
---	-------------	---	------------

**1.7 Left rear interior lamp -W47-**

◆ ⇒ ["1.7.1 4-pin connector T4d", page 5](#)

**1.7.1 4-pin connector -T4d-**

4-pin connector -T4d-



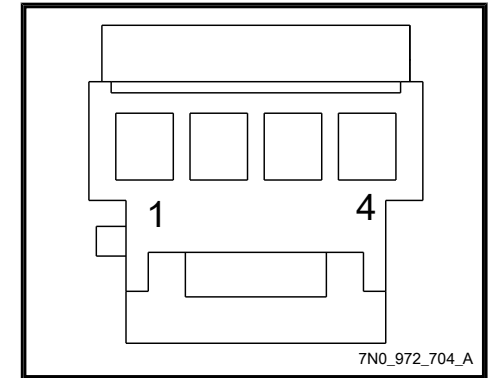
Cavity	Function	Cavity	Function
1	Ground (31)	3	...
2	Power (30)	4	Ground (31)

**1.8 Right rear interior lamp -W48-**

◆ ⇒ ["1.8.1 4-pin connector T4e", page 6](#)

1.8.1 4-pin connector -T4e-

4-pin connector -T4e-



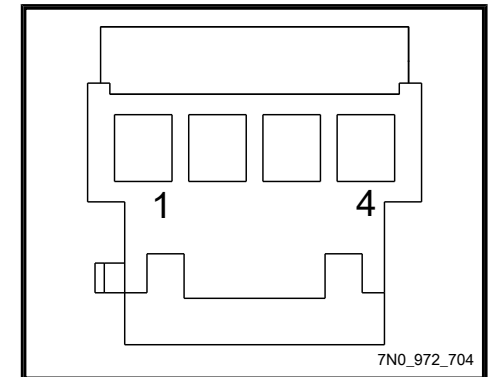
Cavity	Function	Cavity	Function
1	Ground (31)	3	...
2	Power (30)	4	Ground (31)

1.9 Interior lamp -W64-

◆ => "1.9.1 4-pin connector T4b", page 6

1.9.1 4-pin connector -T4b-

4-pin connector -T4b-



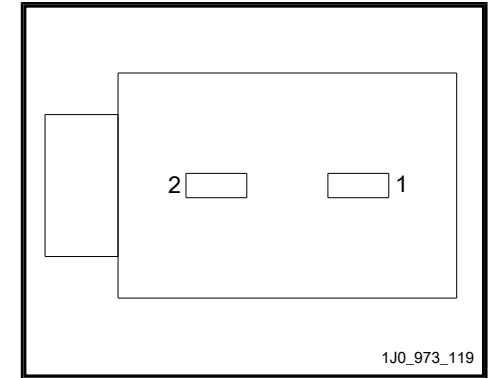
Cavity	Function	Cavity	Function
1		3	Ground (31)
2	Ground (31)	4	Power (30)

1.10 Driver side door ambient lighting lamp -W86-

◆ ⇒ ["1.10.1 2-pin connector T2aa", page 7](#)

1.10.1 2-pin connector -T2aa-

2-pin connector -T2aa-



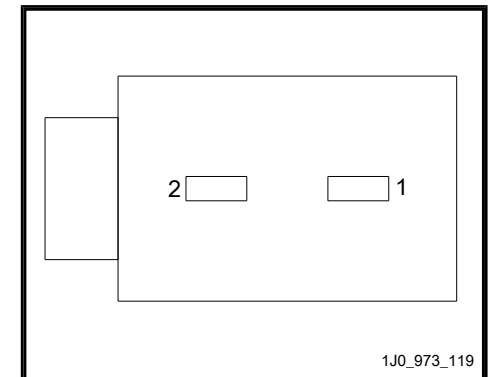
Cavity	Function	Cavity	Function
1	Ground (31)	2	Signal (+)

1.11 Passenger side door ambient lighting lamp -W87-

◆ ⇒ ["1.11.1 2-pin connector T2af", page 7](#)

1.11.1 2-pin connector -T2af-

2-pin connector -T2af-



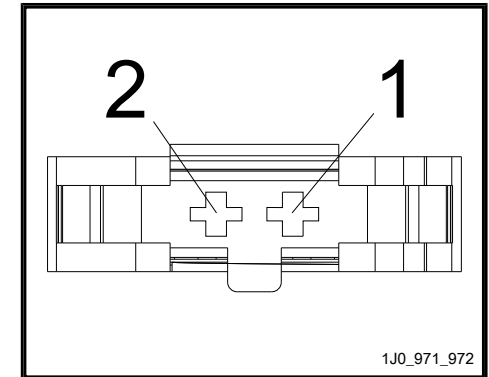
Cavity	Function	Cavity	Function
1	Ground (31)	2	Signal (+)

1.12 Luggage compartment lamp 2 -W115-

◆ ⇒ [“1.12.1 2-pin connector T2cb”, page 8](#)

1.12.1 2-pin connector -T2cb-

2-pin connector -T2cb-



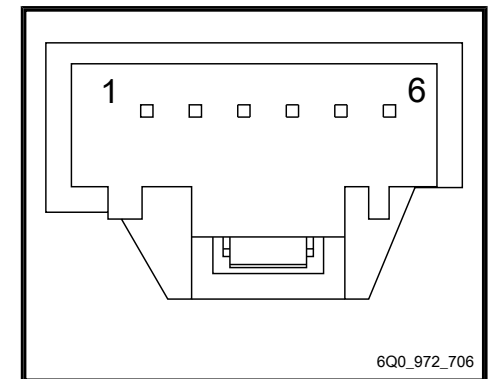
Cavity	Function	Cavity	Function
1	Ground (31)	2	Power (30)

1.13 Front interior lamp -WX1-

◆ ⇒ [“1.13.1 6-pin connector T6j”, page 8](#)

1.13.1 6-pin connector -T6j-

6-pin connector -T6j-



Cavity	Function	Cavity	Function

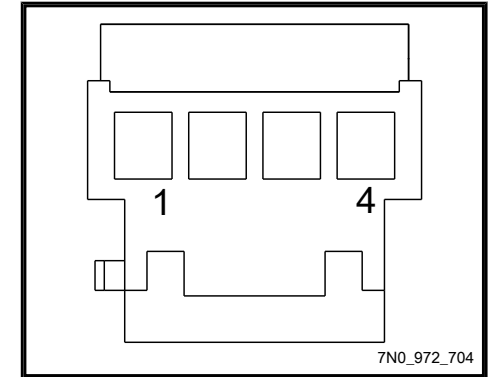
1	Power (30)	4	Ground (31)
2	Signal (+)	5	Ground (31)
3	Power (58)	6	Signal (+)

**1.14 Rear interior lamp -WX2-**

◆ ⇒ ["1.14.1 4-pin connector T4a", page 9](#)

**1.14.1 4-pin connector -T4a-**

4-pin connector -T4a-



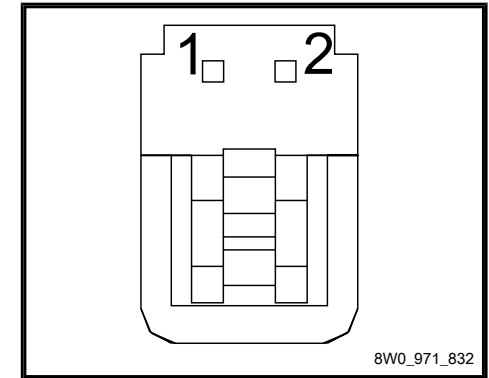
Cavity	Function	Cavity	Function
1	...	3	Ground (31)
2	Ground (31)	4	Power (30)

**1.15 Left license plate lamp -X4-**

◆ ⇒ ["1.15.1 2-pin connector T2h", page 10](#)

1.15.1 2-pin connector -T2h-

2-pin connector -T2h-



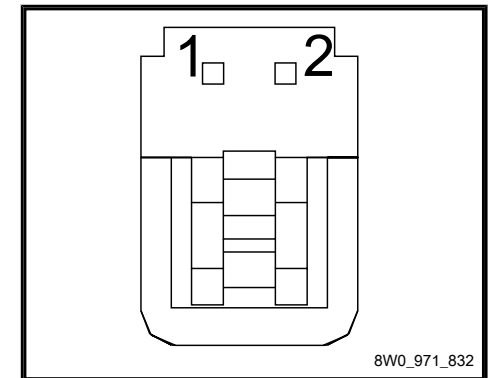
Cavity	Function	Cavity	Function
1	Ground (31)	2	Power (58)

1.16 Right license plate lamp -X5-

◆ ⇒ ["1.16.1 2-pin connector T2g", page 10](#)

1.16.1 2-pin connector -T2g-

2-pin connector -T2g-



Cavity	Function	Cavity	Function
1	Ground (31)	2	Power (58)

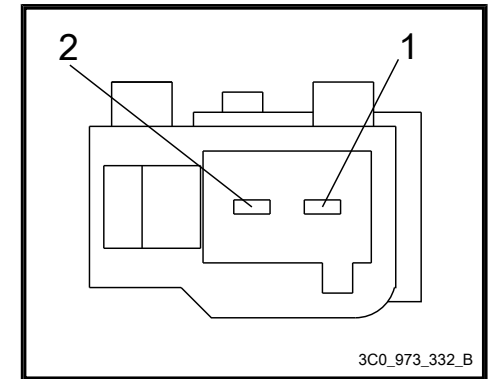


1.17 Front passenger backrest heating element -Z9-

◆ ⇒ [“1.17.1 2-pin connector T2gf”, page 11](#)

1.17.1 2-pin connector -T2gf-

2-pin connector -T2gf-



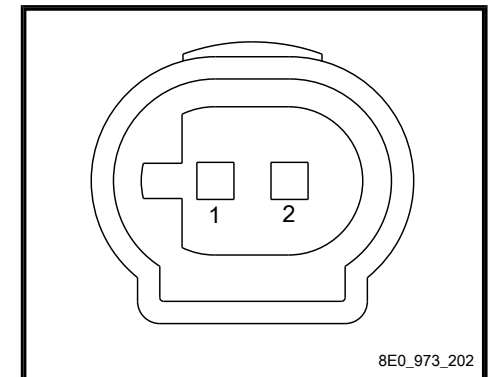
Cavity	Function	Cavity	Function
1	Signal (+)	2	Ground (31)

1.18 Left washer nozzle heater -Z20-

◆ ⇒ [“1.18.1 2-pin connector T2ev”, page 11](#)

1.18.1 2-pin connector -T2ev-

2-pin connector -T2ev-



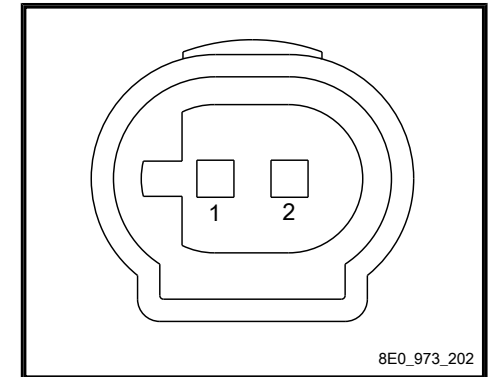
Cavity	Function	Cavity	Function
1	Signal (+)	2	Ground (31)

1.19 Right washer nozzle heater -Z21-

◆ ⇒ [“1.19.1 2-pin connector T2ew”, page 12](#)

1.19.1 2-pin connector -T2ew-

2-pin connector -T2ew-



8E0\_973\_202

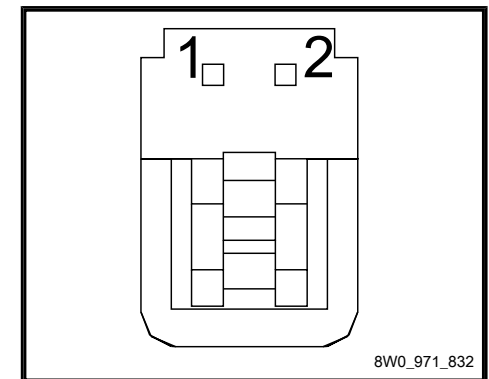
Cavity	Function	Cavity	Function
1	Signal (+)	2	Ground (31)

1.20 Window defogger for front sensor system -Z113-

◆ ⇒ [“1.20.1 2-pin connector T2aq”, page 12](#)

1.20.1 2-pin connector -T2aq-

2-pin connector -T2aq-



8W0\_971\_832

Cavity	Function	Cavity	Function

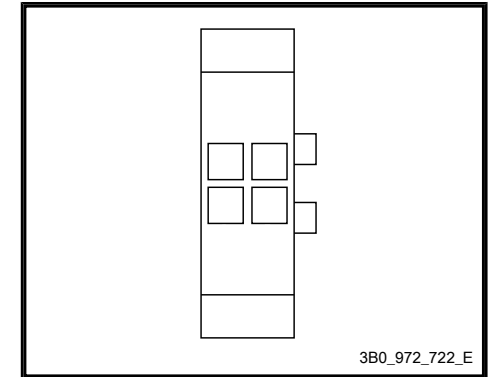
1	Power (15a)	2	Ground (31)
---	-------------	---	-------------

1.21 Left rear seat heater -ZX10-

◆ ⇒ ["1.21.1 4-pin connector T4bf", page 13](#)

1.21.1 4-pin connector -T4bf-

4-pin connector -T4bf-



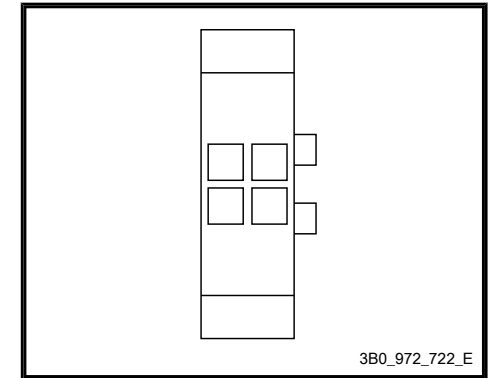
Cavity	Function	Cavity	Function
1	Signal (+)	3	Control Output
2	Ground	4	Ground (31)

1.22 Right rear seat heater -ZX12-

◆ ⇒ ["1.22.1 4-pin connector T4bh", page 14](#)

1.22.1 4-pin connector -T4bh-

4-pin connector -T4bh-



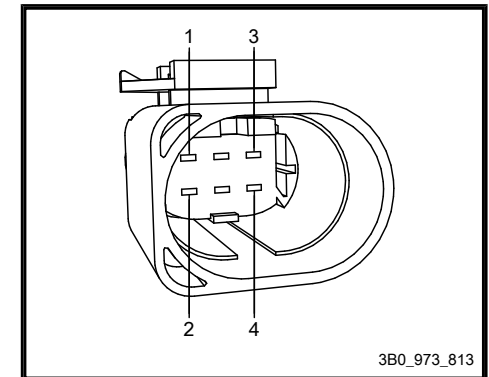
Cavity	Function	Cavity	Function
1	Signal (+)	3	Control Output
2	Ground	4	Ground (31)

1.23 Front passenger seat heating element with seat occupant detection control module -ZX14-

◆ ⇒ ["1.23.1 6-pin connector T6am", page 14](#)

1.23.1 6-pin connector -T6am-

6-pin connector -T6am-



Cavity	Function	Cavity	Function
1	Power (+)	4	Ground (31)
2	Ground	5	Signal (+)

3	Signal (+)	6	...
---	------------	---	-----