



≡ MENU

[Home page](#) > [Volkswagen](#) > Volkswagen Golf VIII (Mk8; 2020-2022) fuses and relays

# Volkswagen Golf VIII (Mk8; 2020-2022) fuses and relays

Advertisements



*In this article, we consider the eighth-generation Volkswagen Golf (MK8), available from 2020 to the present. Here you will find fuse box diagrams of **Volkswagen Golf VIII 2020, 2021, and 2022**, get information about the location of the fuse panels inside the car, and learn about the assignment of each fuse (fuse layout) and relay.*

See other Volkswagen Golf:

## Fuse Layout VW Golf Mk8



## Table of Contents

### Passenger Compartment Fuse Box (Fuse Panel C -SC-)

Fuse Box Location

Fuse Box Diagram

### Engine Compartment Fuse Box

Fuse Box Location

Fuse Box Diagram (Fuse holder B -SB-)

High Power Fuses (Fuse holder A -SA-)

## Passenger Compartment Fuse Box (Fuse Panel C -SC-)

### Fuse Box Location

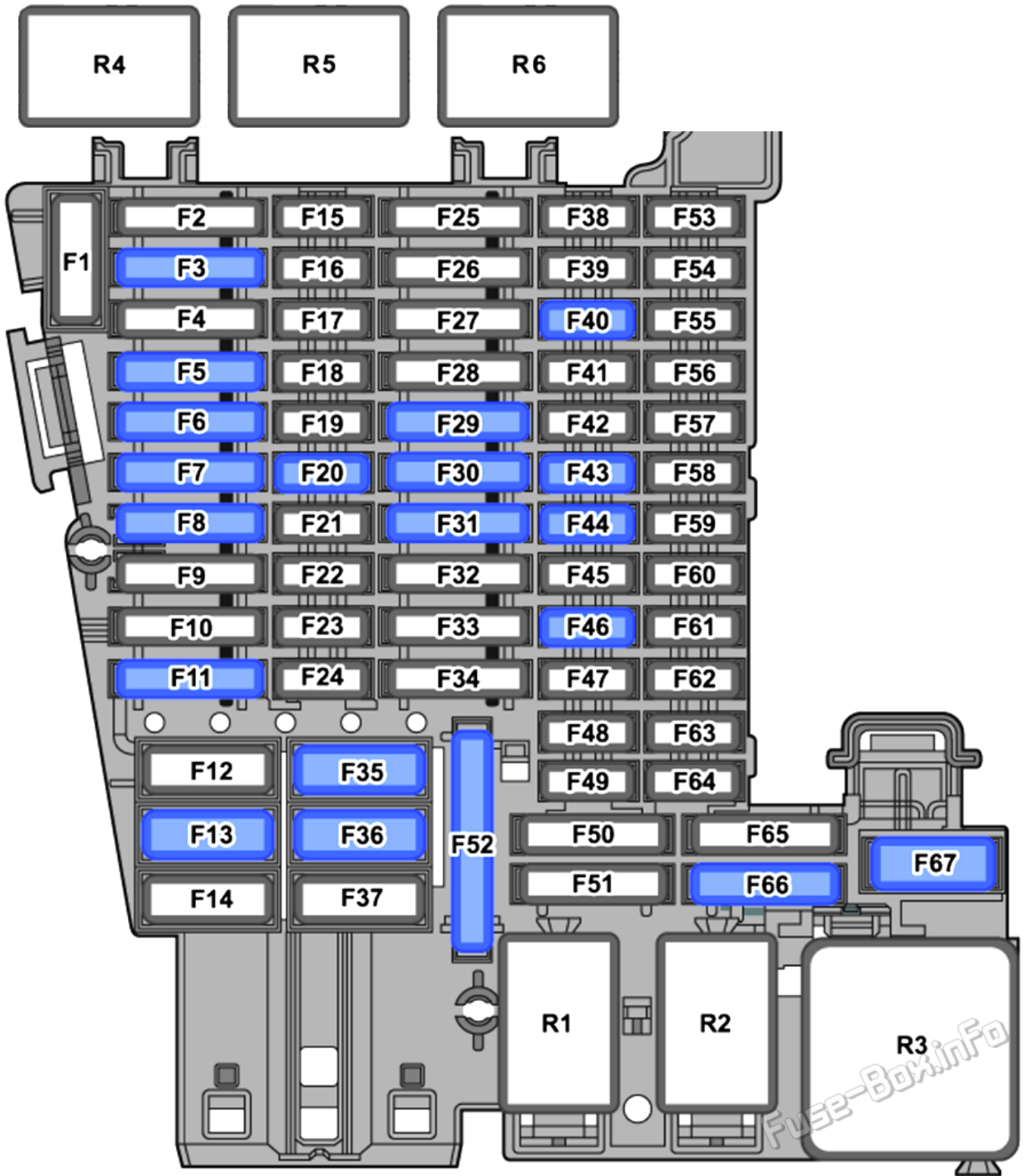
*Left-hand drive vehicle: Reach behind the cover and pull it off in the direction of the arrow.*



*Right-hand drive vehicle: Push the damper element up and into the opening in the bracket, before pulling it out side-ways (1). Push the catches up in the direction of the arrow while at the same time opening the storage compartment further (2).*



## Fuse Box Diagram



**Assignment of the fuses in the instrument panel fuse box**

No	Amps	Function / component
SC1	-	-
SC2	-	-
SC3	25 A	Trailer detector control unit

<b>No</b>	<b>Amps</b>	<b>Function / component</b>
SC4	20 A	Control unit for reducing agent heater (diesel)
SC5	25 A	Parking lock actuator
SC6	30 A	Onboard supply control unit Interior lighting
SC7	30 A	Heater and air conditioning system control unit Seat heating
SC8	20 A	Sliding sunroof adjustment control unit
SC9	30 A	Driver door control unit (left-hand drive models) Front passenger door control unit (right-hand drive models) Rear driver side window regulator motor (left-hand drive models) Rear passenger side window regulator motor (right-hand drive models)
SC10	-	-
SC11	15 A	Trailer detector control unit
SC12	40 A	Onboard supply control unit Exterior lighting (left-side)
SC13	40 A	Onboard supply control unit Central locking
SC14	30 A	Digital sound package control unit
SC15	-	-
SC16	7.5 A	Airbag control unit
SC17	10 A	Relay for reducing agent metering system
SC18	7.5 A	Interface for entry and start system Driver exterior door handle (left-hand drive models) Front passenger exterior door handle (right-hand drive models) Control unit 2 for break-in protection Control unit 3 for break-in protection

No	Amps	Function / component
		Control unit 4 for break-in protection Control unit 5 for break-in protection Control unit for electronic steering column lock
SC19	7.5 A	Dash panel insert Emergency call module control unit and communication unit
SC20	7.5 A	Internet access control unit Chip card reader control unit (Japan) TV tuner (Japan) Telephone bracket Transmission and reception stabilisation control unit USB connection 1
SC21	7.5 A	Lane change assist control unit Lane change assist control unit 2 Driver side exterior mirror Passenger side exterior mirror Rear lid handle
SC22	-	-
SC23	-	-
SC24	15 A	All-wheel drive control unit
SC25	25 A	Front left seat belt (left-hand drive models) Front right seat belt (right-hand drive models)
SC26	30 A	Driver door control unit (right-hand drive models) Front passenger door control unit (left-hand drive models) Rear driver side window regulator motor (right-hand drive models) Rear passenger side window regulator motor (left-hand drive models)
SC27	25 A	Front right seat belt (left-hand drive models) Front left seat belt (right-hand drive models)
SC28	-	-

<b>No</b>	<b>Amps</b>	<b>Function / component</b>
SC29	15 A	Trailer detector control unit
SC30	30 A	Control unit 1 for information electronics
SC31	25 A	Trailer detector control unit
SC32	25 A	Operating and display unit for rear air conditioning system Rear seat heating
SC33	-	-
SC34	-	-
SC35	40 A	Onboard supply control unit Exterior lighting (right-side)
SC36	40 A	Fresh air blower control unit
SC37	-	-
SC38	-	-
SC39	10 A	Steering column electronics control unit
SC40	7.5 A	Alarm horn
SC41	7.5 A	Data bus diagnostic interface
SC42	7.5 A	Selector mechanism Selector lever position display
SC43	10 A	Vehicle interior temperature sensor Remote control receiver for auxiliary heater Heater and air conditioning system control unit Operating and display unit for rear air conditioning system Heated rear window relay
SC44	7.5 A	Parking brake button Diagnostic connection Front roof module Anti-theft alarm sensor

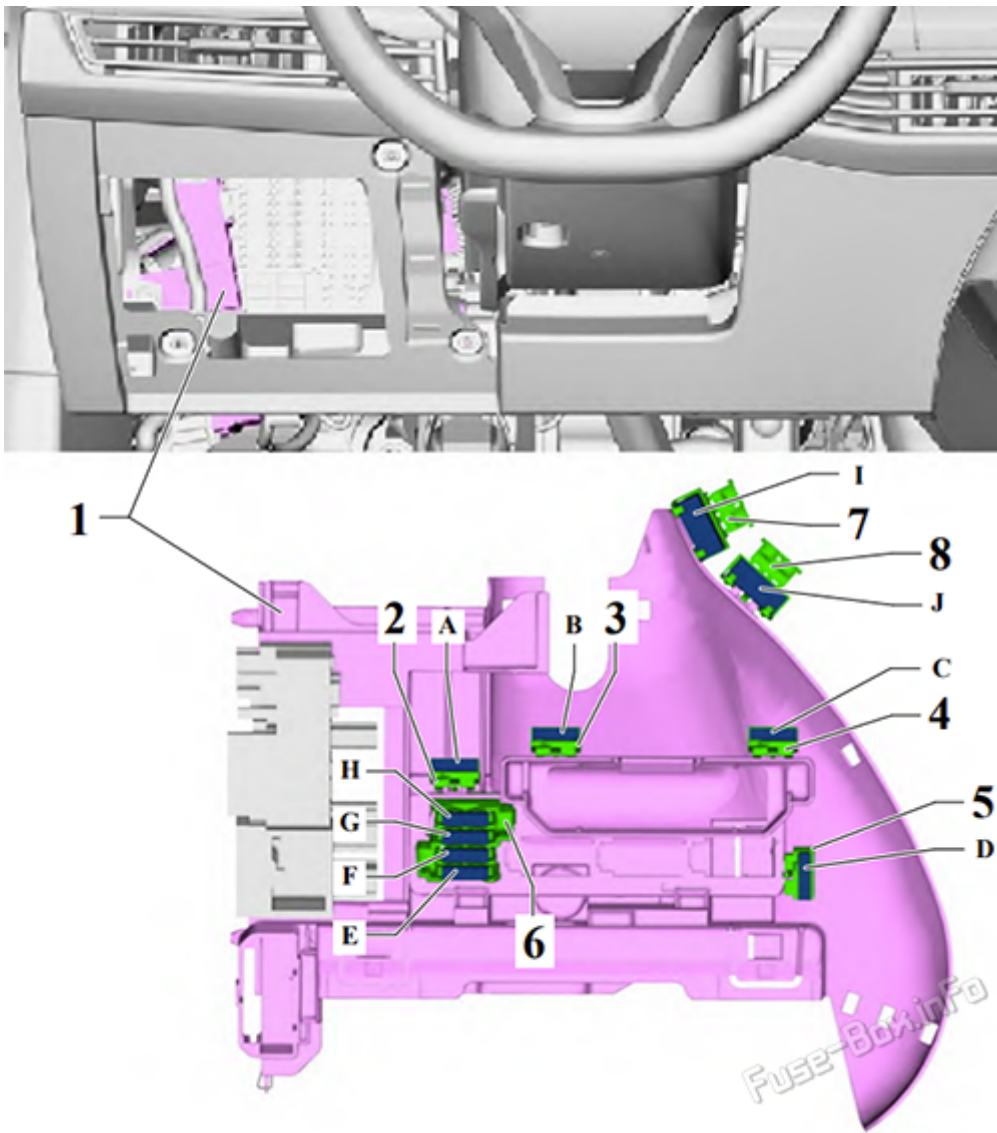
<b>No</b>	<b>Amps</b>	<b>Function / component</b>
		Operating unit for lighting Control unit for cornering light and headlight range control Air humidity, rain and light sensor
SC45	7.5 A	Steering column electronics control unit
SC46	7.5 A	Control unit for Head-up Display Display unit for front information display and operating unit control unit
SC47	10 A	Electronically controlled damping control unit
SC48	7.5 A	USB charging socket 1
SC49	-	-
SC50	-	-
SC51	-	-
SC52	20 A	12V socket 12V socket 3
SC53	-	-
SC54	-	-
SC55	-	-
SC56	-	-
SC57	-	-
SC58	7.5 A	Front camera for driver assist systems Parking aid control unit Adaptive cruise control unit
SC59	7.5 A	Parking brake button Automatic anti-dazzle interior mirror Air quality sensor Pressure sender for refrigerant circuit Reversing light switch



<b>No</b>	<b>Amps</b>	<b>Function / component</b>
		Relay for power sockets Control unit for structure-borne sound
SC60	7.5 A	Diagnostic connection
SC61	7.5 A	Starter relay 1 Starter relay 2
SC62	-	-
SC63	-	-
SC64	-	-
SC65	10 A	Engine sound generator control unit
SC66	15 A	Rear window wiper motor
SC67	30 A	Heated rear window relay
R1		Relay for power sockets
R2		Terminal 15 voltage supply relay
R3		Heated rear window relay
R4		Relay for reducing agent metering system (Diesel)
R5		-
R6		-

## Individual fuses

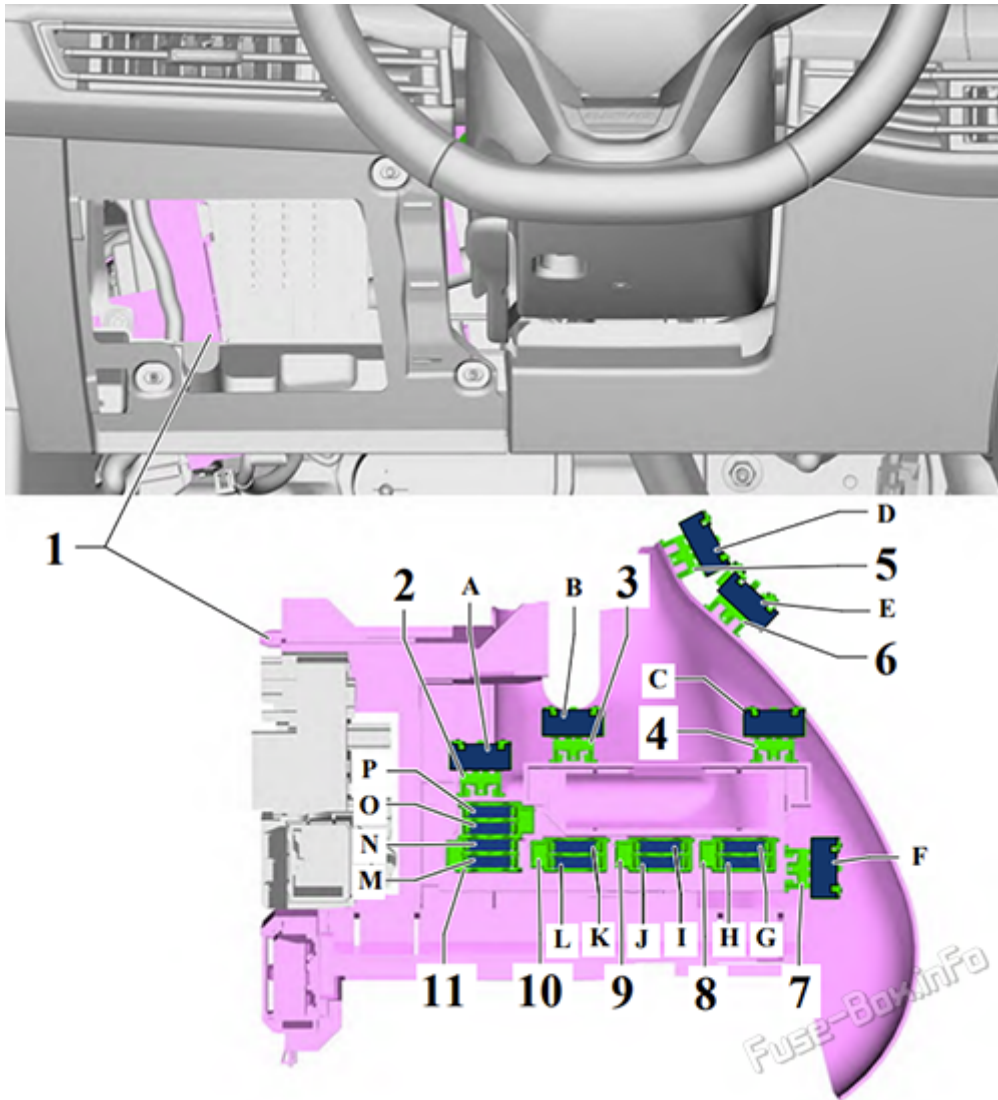
Left-hand drive models, from July 2020



No	Anps	Function / component
A	-	
B	-	
C	-	
D	-	
E	-	
F	-	
G	-	
H	-	

No	Anps	Function / component
I	15 A	Driver seat adjustment control unit Driver seat backrest fan Driver seat cushion fan
J	15 A	Front passenger seat backrest fan Front passenger seat cushion fan

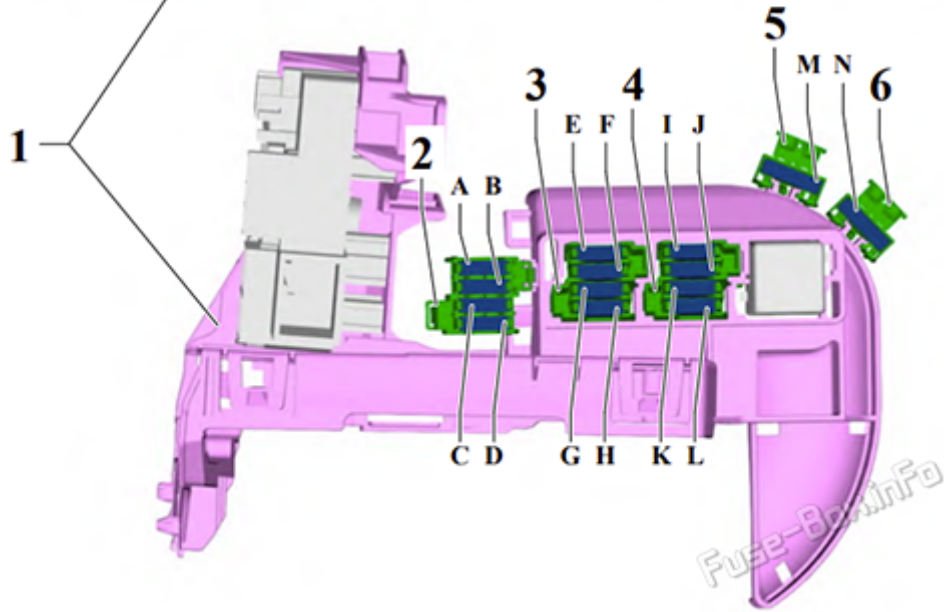
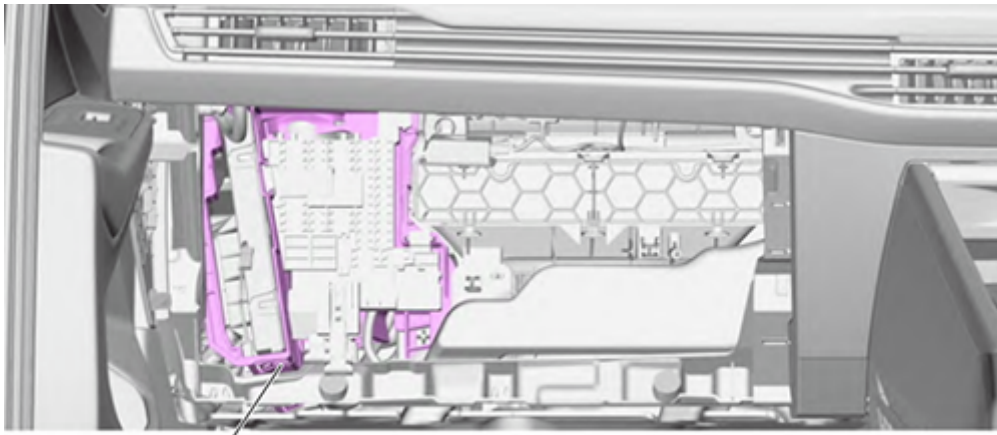
Left-hand drive models, from February 2021



No	Amps	Function / component
A	15 A	Driver seat adjustment control unit
B	-	-
C	-	-

<b>No</b>	<b>Amps</b>	<b>Function / component</b>
D	15 A	Driver seat backrest fan Driver seat cushion fan Operating unit for front left seat adjustment
E	15 A	Front passenger seat backrest fan Front passenger seat cushion fan Operating unit for front right seat adjustment
F	-	-
H	-	-
G	10 A	Special vehicle control unit Diagnostic connection 2 Coupling point for wheelchair lift Coupling point for two-way radio in special vehicle Coupling point for front right door Coupling point for front left door Coupling point for accident data recorder Coupling point for operating unit for special signals
I	-	-
J	-	-
K	40 A	Coupling point for wheelchair lift Special vehicle control unit
L	40 A	Special vehicle control unit Fuse 16 on relay and fuse carrier SRSH
M	-	-
N	-	-
O	-	-
P	-	-

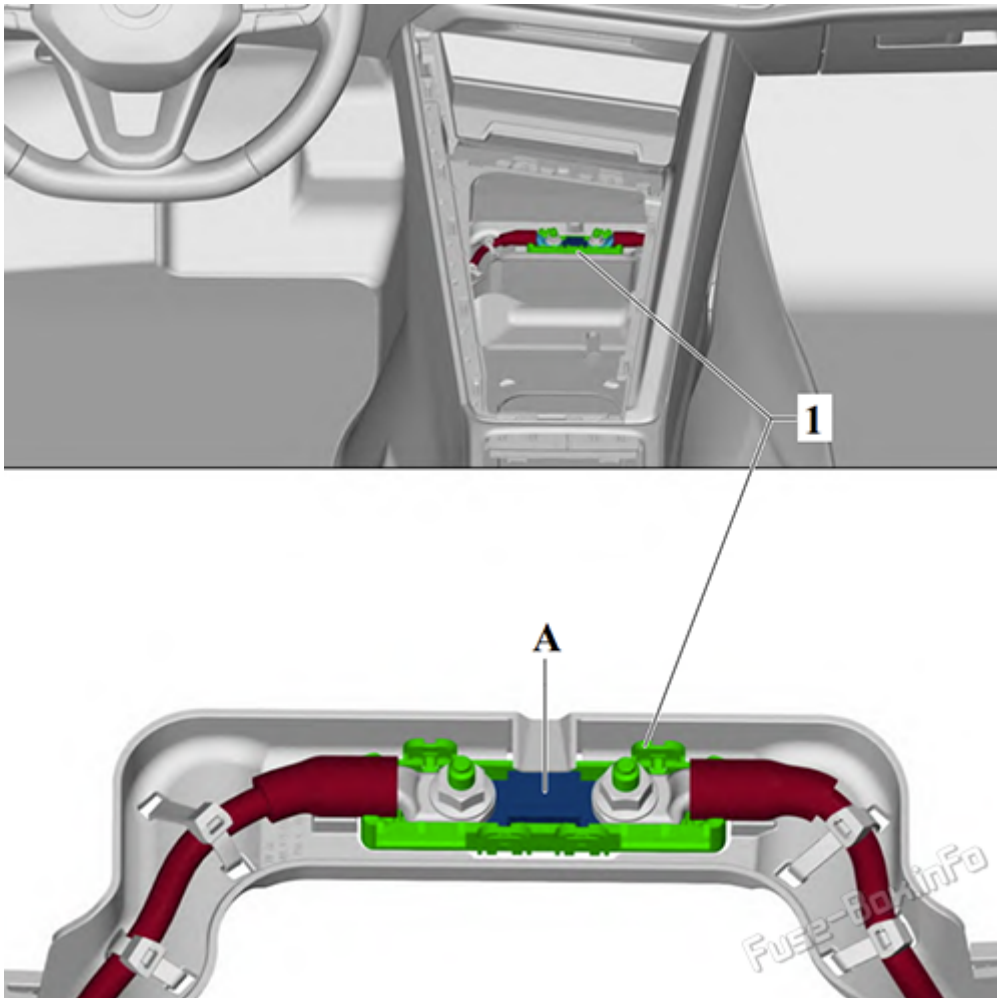
Right-hand drive models, from July 2020



No	Amps	Function / component
A	-	-
B	-	-
C	-	-
D	-	-
E	-	-
F	-	-
G	-	-
H	-	-
I	-	-

No	Amps	Function / component
J	-	-
K	-	-
L	-	-
M	15 A	Front passenger seat backrest fan Front passenger seat cushion fan
N	15 A	Driver seat adjustment control unit Driver seat backrest fan Driver seat cushion fan

### Fitting location of fuse for voltage converter





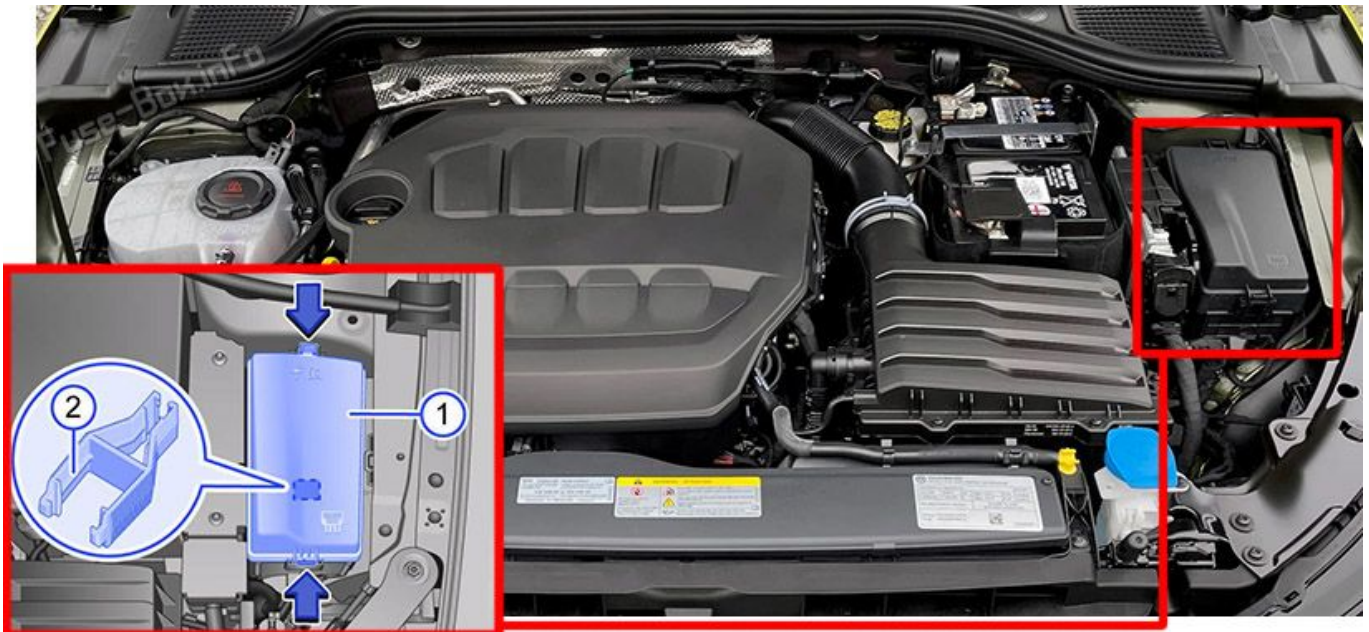
No	Amps	Function / component
A	125 A	Battery, 48 V Voltage converter (48 V/12V)

Advertisements

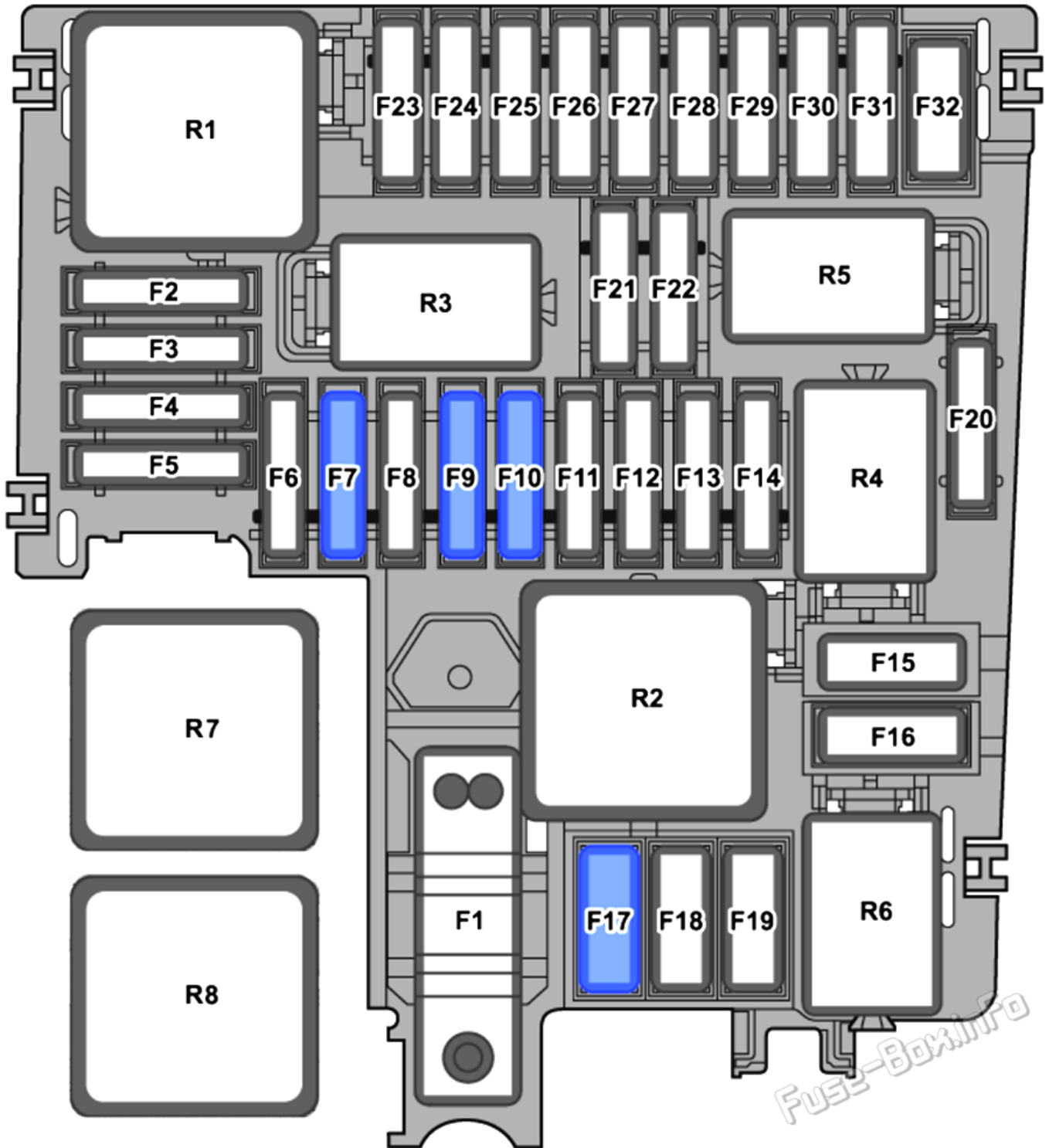
## Engine Compartment Fuse Box

### Fuse Box Location

*Press the catches in the direction of the arrow to release the fuse box cover.*



### Fuse Box Diagram (Fuse holder B -SB-)



**Assignment of the fuses in the engine compartment fuse box**

No	Amps	Function / component
SB1	400 A	Power steering control unit
SB2	7.5 A	Main relay (petrol) Terminal 30 voltage supply relay (diesel) Engine/motor control unit ABS control unit

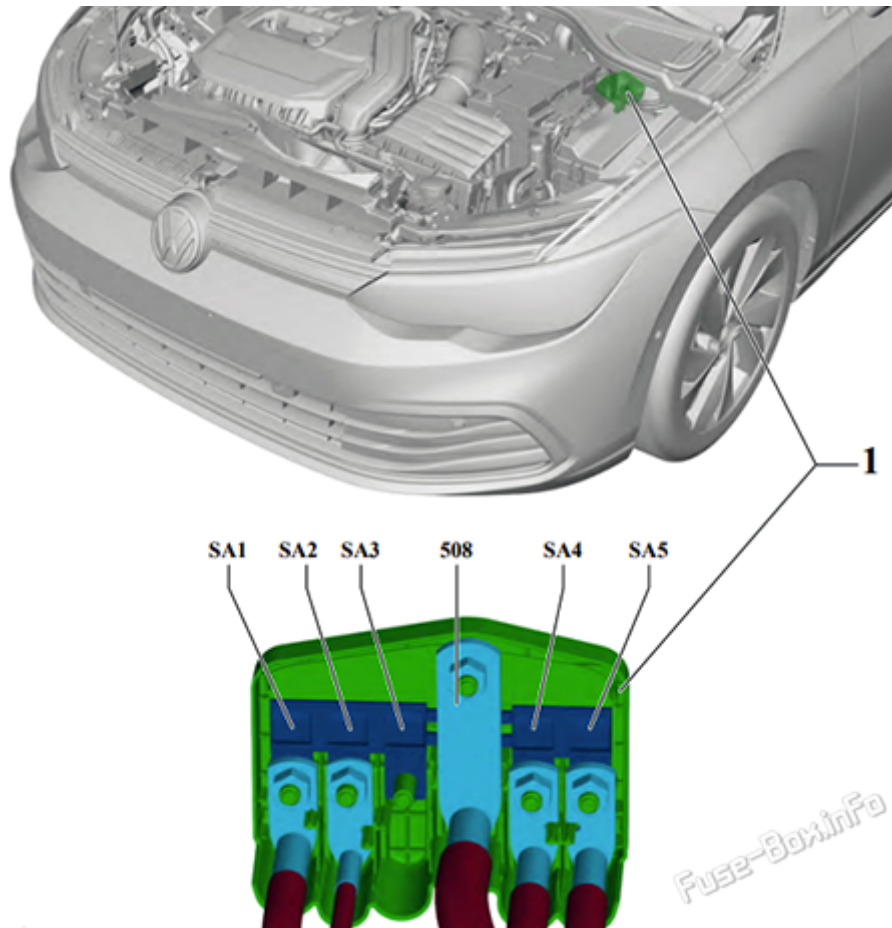


<b>No</b>	<b>Amps</b>	<b>Function / component</b>
SB3	20 A	Engine component current supply relay (2.0l petrol)
SB3	7.5 A	Relay for gas shut-off valves (natural gas engine)
SB4	15 A	Front left headlight
SB5	15 A	Front right headlight
SB6	-	-
SB7	30 A	Auxiliary hydraulic pump 1 for gearbox oil
SB8	40 A	Brake servo
SB9	15 A	Horn relay
SB10	30 A	Wiper motor control unit
SB11	-	-
SB12	15 A / 30 A	Mechatronic unit for dual clutch gearbox Automatic gearbox control unit
SB13	25 A	ABS control unit
SB14	20 A	Auxiliary heater control unit
SB15	40 A	ABS control unit
SB16	-	-
SB17	40 A	Auxiliary air heater element (diesel)
SB18	40 A	Auxiliary air heater element (diesel)
SB19	-	-
SB20	15 A	Axle differential lock control unit
SB21	7.5 A	Engine/motor control unit
SB22	30 A	Starter

№	Amps	Function / component
SB23	15 A	Engine/motor control unit
SB24	7.5 A / 10 A	Radiator fan Oil level and oil temperature sender Activated charcoal filter solenoid valve 1 (petrol, natural gas engine) Exhaust camshaft control valve 1 (petrol, natural gas engine) Inlet camshaft control valve 1 (petrol, natural gas engine) Valve for oil pressure control (petrol, natural gas engine) Piston cooling jet control valve (petrol, natural gas engine) Fuel pressure regulating valve (diesel) Relay for reducing agent metering system (diesel) Automatic glow period control unit (diesel) Starter-alternator (models with 48 V system) Inlet cam actuator for cylinder 2 (1.5l petrol) Exhaust cam actuator for cylinder 2 (1.5l petrol) Inlet cam actuator for cylinder 3 (1.5l petrol) Exhaust cam actuator for cylinder 3 (1.5l petrol) Gas tank pressure sensor (natural gas engine) Relay for gas shut-off valves (natural gas engine)
SB25	10 A	Gas injection valve 1 (natural gas engine) Gas injection valve 2 (natural gas engine) Gas injection valve 3 (natural gas engine) Gas injection valve 4 (natural gas engine)
SB26	10 A	Heater element for crankcase breather (diesel) Valve for oil pressure control (diesel) Actuator for engine temperature regulation (diesel) Coolant regulating valve (diesel) Piston cooling jet control valve (diesel) Coolant circulation pump (2.0l petrol) Charge air cooling pump (petrol, natural gas engine) Auxiliary pump for heating (diesel)
SB27	10 A / 15 A	Particulate sensor (diesel) Lambda probe 1 after catalytic converter (petrol) Lambda probe 1 before catalytic converter (petrol)

№	Amps	Function / component
		Control unit for NOx sender (diesel) Control unit 2 for NOx sender (diesel) Control unit 3 for NOx sender (diesel) Control unit 1 for particulate sensor (diesel)
SB28	20 A	Ignition coil 1 with output stage (1.5l petrol, 1.4l petrol) Ignition coil 2 with output stage (1.5l petrol, 1.4l petrol) Ignition coil 3 with output stage (1.5l petrol, 1.4l petrol) Ignition coil 4 with output stage (1.5l petrol, 1.4l petrol) Activated charcoal filter solenoid valve 1 (1.4l petrol) Inlet camshaft control valve 1 (1.4l petrol) Exhaust camshaft control valve 1 (1.4l petrol) Valve for oil pressure control (1.4l petrol)
SB29	15 A / 20 A	Fuel pump control unit
SB30	-	-
SB31	-	-
SB32	-	-
R1		Main relay
R2		High heat output relay (diesel)
R3		Horn relay
R4		Starter relay 1
R5		Starter relay 2
R6		Relay for gas shut-off valves (natural gas drive) Engine component current supply relay (2.0l petrol engine)
R7		Automatic glow period control unit
R8		Low heat output relay

## High Power Fuses (Fuse holder A -SA-)



No	Amps	Function / component
SA1	150 A	Fuse holder B
SA2	50 A	Radiator fan
SA3	-	-
508		Battery
SA4	125 A	Fuse holder C
SA5	125 A	Fuse holder C

Learn more:



- 
- [How to check the fuses?](#)
  - [How to replace a blown fuse?](#)
  - [Why do car fuses blow?](#)
  - [Types of automotive fuses](#)

[Acura](#)

[Alfa Romeo](#)

[Audi](#)

[BMW](#)

[Buick](#)

[Cadillac](#)

[Chevrolet](#)

[Chrysler](#)

[Citroën](#)

[Dodge](#)

[Fiat](#)

[Ford](#)

[GMC](#)

[Honda](#)

[Hummer](#)

[Hyundai](#)

[Infiniti](#)

[Isuzu](#)

[Jeep](#)

KIA

Land Rover

Lexus

Lincoln

Mazda

Mercedes-Benz

Mercury

Mitsubishi

Nissan

Oldsmobile

Opel / Vauxhall

Peugeot

Pontiac

Porsche

Renault

Saab

Saturn

Scion

SEAT

Skoda

Smart

Subaru

Suzuki

Tesla

Toyota

Volkswagen

Volvo

Mahindra

[About](#) [Contact](#) [Use of Cookies](#)

Fuse Box Diagrams © 2023

All marks are the property of their respective holders.

Disclaimer: all materials are provided for information only. For qualified repairs, contact an authorized service center.