



≡ MENU

[Home page](#) > [Volkswagen](#) > Volkswagen Golf IV / Bora (mk4; 1997-2004) fuses and relays

# Volkswagen Golf IV / Bora (mk4; 1997-2004) fuses and relays

Advertisements



*In this article, we consider the fourth-generation Volkswagen Golf / Bora (mk4/A4/1J), produced from 1997 to 2004. Here you will find fuse box diagrams of Volkswagen Golf IV 1997, 1998, 1999, 2000, 2001, 2002, 2003 and 2004, get information about the location of the fuse panels inside the car, and learn about the assignment of each fuse (fuse layout) and relay.*

See other Volkswagen Golf:

## Fuse Layout Volkswagen Golf IV / Bora 1997-2004



**Cigar lighter (power outlet) fuses in the Volkswagen Golf IV / Bora** are the fuses #35 (12V power outlet in luggage compartment) and #41 (Cigarette lighter) in the Instrument panel fuse box.

### Table of Contents

Fuse box location

Instrument Panel

Fuses on the battery

Relay panel

Fuse box diagrams

Instrument Panel

Fuses on the battery

Relay panel

## Fuse box location

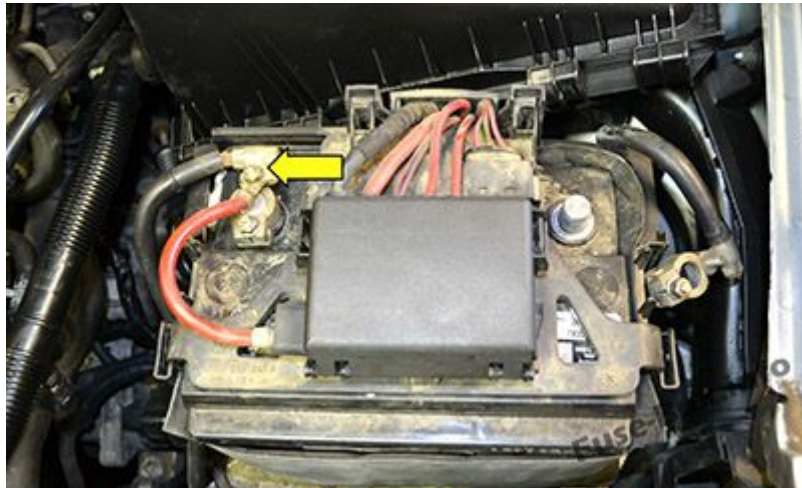
### Instrument Panel

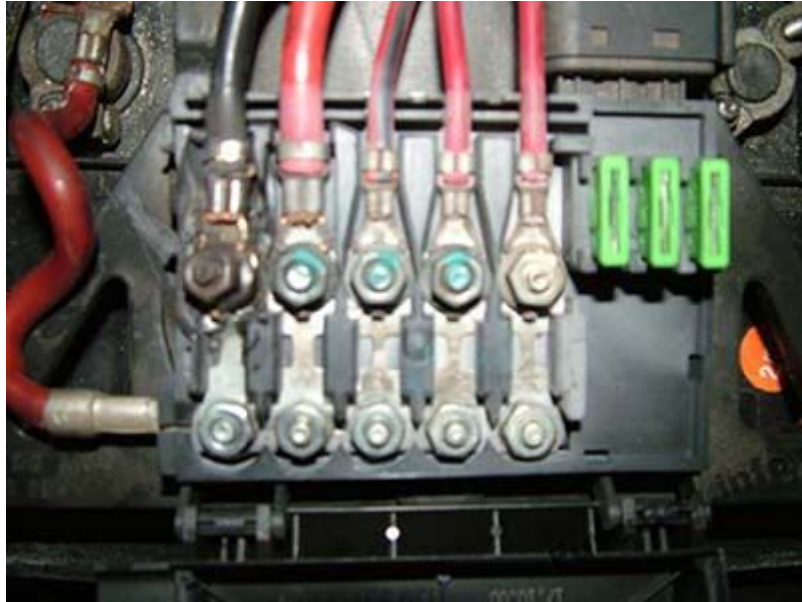
*The fuse box is located behind the cover on the driver side edge of the instrument panel.*



## Fuses on the battery

*These fuses are located on the battery in the engine compartment.*





## Relay panel

*It is located at the bottom of the dashboard (on the driver's side), behind the panel.*





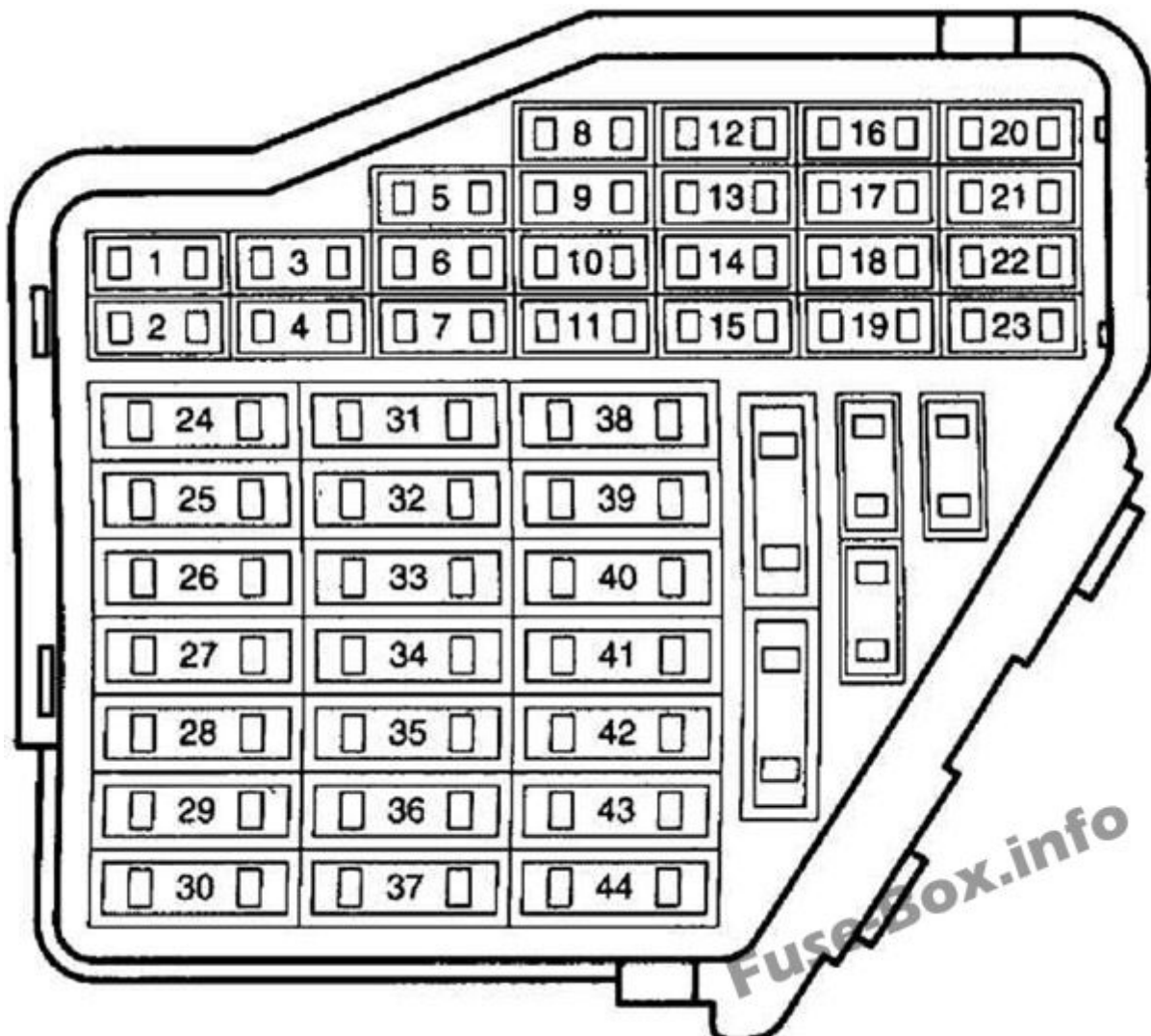
Additional fuses are available in the electronics module. The electronics module is located on the left side near the engine compartment partition.



On models with diesel engines, the fuses for the diesel engine heating system are located on the relay bracket in the electronics module.

## Fuse box diagrams

### Instrument Panel



### Assignment of the fuses in the Instrument Panel

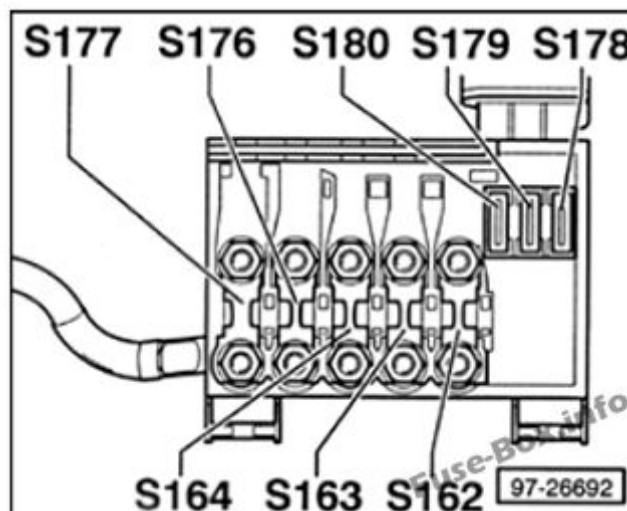
<b>№</b>	<b>Ampere rating [A]</b>	<b>Description</b>
1	10	Washer nozzle heaters, glove compartment light memory seat control module
2	10	Turn signal lights
3	5	Fog light relay, instrument panel light dimmer switch
4	5	License plate light
5	7,5	Comfort system, cruise control, Climatronic, A/C, heated seat control modules, automatic day/night interior mirror, control module for multi-function steering wheel, control unit in steering wheel
6	5	Central locking system
7	10	Back-up lights, speedometer vehicle speed sensor (VSS)
8	—	Open
9	5	Anti-lock brake system (ABS)
10	10	Engine control module (ECM): gasoline engine
10	5	Engine control module (ECM): diesel engine, Model Year 2000
11	5	Instrument cluster, shift lock solenoid
12	7,5	Data Link Connector (DLC) power supply
13	10	Brake tail lights
14	10	Interior lights, central locking system
15	5	Instrument cluster, transmission control module (TCM)
16	10	A/C clutch, after-run coolant pump

<b>№</b>	<b>Ampere rating [A]</b>	<b>Description</b>
17	—	Open
18	10	Headlight high beam, right
19	10	Headlight high beam, left
20	15	Headlight low beam, right
21	15	Headlight low beam, left
22	5	Parking lights right, side marker right
23	5	Parking lights left, side marker left
24*	20	Windshield and rear window washer pump, windshield wiper motor
25	25	Fresh air blower, Climatronic, A/C
26	25	Rear window defogger
27	15	Motor for rear windshield wiper
28	15	Fuel pump (FP)
29	15	Engine control module (ECM): gasoline engine
29	10	Engine control module (ECM): diesel engine
30	20	Power sunroof control module
31	20	Transmission control module (TCM)
32	10	Injectors: gasoline engine
32	15	Injectors: diesel engine
33	20	Headlight washer system
34	10	Engine control elements
35	30	12 V power outlet (in luggage compartment)

№	Ampere rating [A]	Description
36	15	Fog lights
37	10	Terminal (86S) on radio, Instrument cluster
38	15	Central locking system (with power windows), luggage compartment light, remote/fuel tank door, motor to unlock rear lid
39	15	Emergency flashers
40	20	Dual tone horn
41	15	Cigarette lighter
42	25	Radio
43	10	Engine control elements
44	15	Heated seats
		* on the electrical diagrams is denoted by number 224

Advertisements

## Fuses on the battery

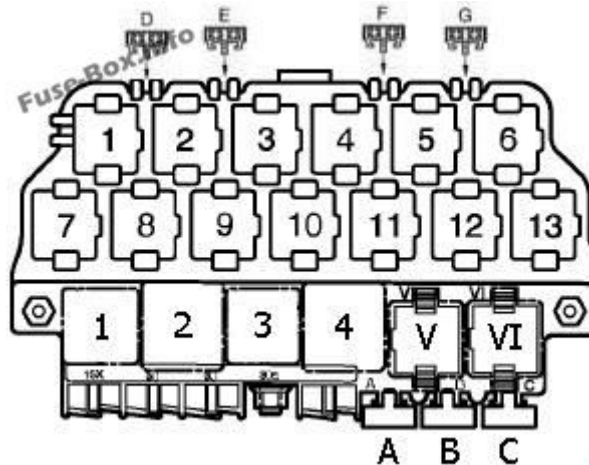




## Assignment of the fuses on the battery

No	Ampere rating [A]	Description
S162	50	Glow plugs (coolant)
S163	50	Fuel pump (FP) relay/glow plug relay
S164	40	Coolant fan control (FC) control module/coolant fan
S177	90/110 (120/150)	Generator (GEN)
S178	30	ABS (hydraulic pump)
S179	30	ABS
S180	30	Coolant fan

## Relay panel



No	Amp	Component
		<b>Fuses on relay plate</b>
A	-	Seat adjustment fuse
B	-	Fuses for V192 - Vacuum pump for brakes (from May 2002)
C	-	Window regulator fuse, central locking and heated exterior mirror (only models with convenience system and window regulator)

No	Amp	Component
		<b>Relay on relay plate</b>
1		J4 - Dual tone horn relay (53)
2		J59 - X-contact relief relay (18) J59 - X-contact relief relay (100)
3		Vacant
4		J17 - Fuel pump relay (409) J52 - Glow plug relay (103)
V/VI		J31 - Automatic intermittent wash and wipe relay, without headlight washer system (377), -with headlight washer system (389), -with rain sensor (192)
		<b>Relay and fuses on the additional relay carrier above the relay plate, left-handdrive vehicles</b>
1		Vacant
2		J398 - Rear lid remote release relay (79) J546 - Rear lid remote release control unit (407)
3		Vacant
4		J5 - Fog light relay (53)
5		J453 - Multifunction steering wheel control unit (450)
6		J453 - Multifunction steering wheel control unit (450)
7		J508 - Brake light suppression relay (206)
8		J99 - Heated exterior mirror relay (53) J541 - Coolant shut-off valve relay (53)
9		J17 - Fuel pump relay, four-wheel-diesel, (53)
10		J17 - Fuel pump relay (pre-supply pump) (167)
11		J226 - Starter inhibitor and reversing light relay (175)

<b>№</b>	<b>Amp</b>	<b>Component</b>
12		J317 - Terminal 30 voltage supply relay (109)
13		J151 - Continued coolant circulation relay (53)
D	-	Vacant
E	-	Vacant
F	15A	S30 - Rear window wiper single fuse (from December 2005), S144 - Anti-theft alarm system central locking fuse (ATA turn signal)
G	15A	S111 - Anti-theft alarm system fuse (ATA horn)
		<b>Relay and fuses on the additional relay carrier above the relay plate, right-handdrive vehicles</b>
1		J453 - Multifunction steering wheel control unit (450)
2		J453 - Multifunction steering wheel control unit (450)
3		J5 - Fog light relay (53)
4		Vacant
5		J398 - Rear lid remote release relay (79) J546 - Rear lid remote release control unit (407)
6		Vacant
7		J151 - Continued coolant circulation relay (53)
8		J317 - Terminal 30 voltage supply relay (109)
9		J226 - Starter inhibitor and reversing light relay (175)
10		J17 - Fuel pump relay (pre-supply pump) (167)
11		J17 - Fuel pump relay, four-wheel-diesel, (53)
12		J99 - Heated exterior mirror relay (53) J541 - Coolant shut-off valve relay (53)

No	Amp	Component
		J193 - Cigarette lighter relay (53)
13		J508 - Brake light suppression relay (206)
D	15A	S144 - Anti-theft alarm system central locking fuse (ATA turn signal)
E	15A	S111 - Anti-theft alarm system fuse (ATA horn) S30 - Rear window wiper single fuse (from December 2005)
F	-	Vacant
G	-	Vacant

**Learn more:**



- [How to check the fuses?](#)
- [How to replace a blown fuse?](#)
- [Why do car fuses blow?](#)
- [Types of automotive fuses](#)

[Acura](#)

[Alfa Romeo](#)

[Audi](#)

[BMW](#)

[Buick](#)

Cadillac

Chevrolet

Chrysler

Citroën

Dodge

Fiat

Ford

GMC

Honda

Hummer

Hyundai

Infiniti

Isuzu

Jeep

KIA

Land Rover

Lexus

Lincoln

Mazda

Mercedes-Benz

Mercury

Mitsubishi

Nissan

Oldsmobile

Opel / Vauxhall

Peugeot

Pontiac

Porsche

Renault

[Saab](#)

[Saturn](#)

[Scion](#)

[SEAT](#)

[Skoda](#)

[Smart](#)

[Subaru](#)

[Suzuki](#)

[Tesla](#)

[Toyota](#)

[Volkswagen](#)

[Volvo](#)

[Mahindra](#)

[About](#) [Contact](#) [Use of Cookies](#)

Fuse Box Diagrams © 2023

All marks are the property of their respective holders.

Disclaimer: all materials are provided for information only. For qualified repairs, contact an authorized service center.