

1 Comp. Loc.: Relays

- ◆ ⇒ ["1.2 Relays on Fuse Panel B SB , from August 2019", page 2](#)
- ◆ ⇒ ["1.3 Relays on Fuse Panel C SC , from August 2019", page 3](#)
- ◆ ⇒ ["1.4.1 Relay and Fuse Panel 3 SR3 , from August 2019", page 5](#)
- ◆ ⇒ ["1.5 Relay Panel 5 SR5 , from August 2019", page 5](#)
- ◆ ⇒ ["1.6 Relays on Fuse Panel 1 ST1 , from August 2019", page 6](#)

1.1 Components Index

Component	Chapter	Comments
Rear Window Defogger Relay -J9-	⇒ <a href="#">"1.3.1 Relays on Fuse Panel C SC , from August 2019", page 4</a>	
A/C Clutch Relay -J44-	⇒ <a href="#">"1.3.1 Relays on Fuse Panel C SC , from August 2019", page 4</a>	
Windshield Defogger Relay -J47-	⇒ <a href="#">"1.5.1 Relay Panel 5 SR5 , from August 2019", page 6</a>	For vehicles with windshield defogger
Motronic Engine Control Module Power Supply Relay -J271-	⇒ <a href="#">"1.2.1 Relays on Fuse Panel B SB , from August 2019", page 2</a>	For vehicles with gasoline engine
Secondary air injection pump relay -J299-	⇒ <a href="#">"1.2.1 Relays on Fuse Panel B SB , from August 2019", page 2</a>	
Terminal 15 Power Supply Relay -J329-	⇒ <a href="#">"1.3.1 Relays on Fuse Panel C SC , from August 2019", page 4</a>	
Wiper motor relay 1 -J368-	⇒ <a href="#">"1.4.1 Relay and Fuse Panel 3 SR3 , from August 2019", page 5</a>	
Wiper motor relay 2 -J369-	⇒ <a href="#">"1.4.1 Relay and Fuse Panel 3 SR3 , from August 2019", page 5</a>	
Horn Relay -J413-	⇒ <a href="#">"1.2.1 Relays on Fuse Panel B SB , from August 2019", page 2</a>	
Remote Start System Relay -J471-	⇒ <a href="#">"1.6.1 Relays on Fuse Panel 1 ST1 , from August 2019", page 7</a>	For vehicles with engine remote start
Engine Component Power Supply Relay -J757-	⇒ <a href="#">"1.4.1 Relay and Fuse Panel 3 SR3 , from August 2019", page 5</a>	Only for vehicles with 2.0L gasoline engine
Sockets Relay -J807-	⇒ <a href="#">"1.3.1 Relays on Fuse Panel C SC , from August 2019", page 4</a>	
Starter Relay 1 -J906-	⇒ <a href="#">"1.2.1 Relays on Fuse Panel B SB , from August 2019", page 2</a>	

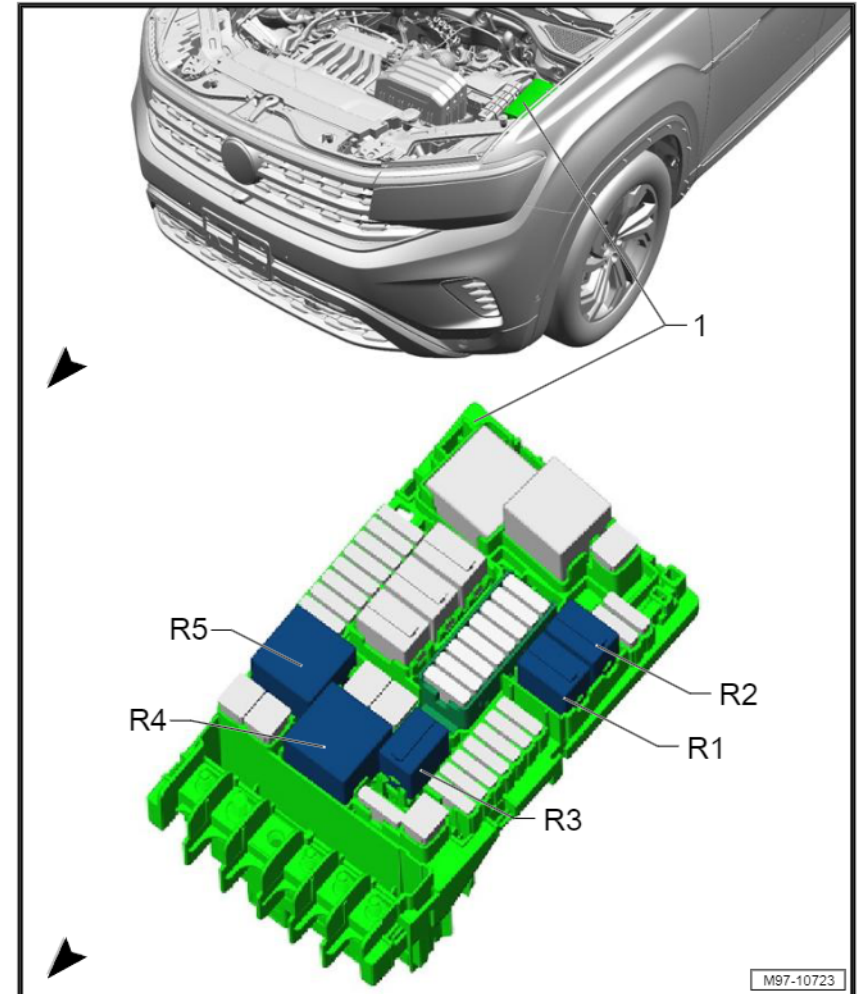
Component	Chapter	Comments
Starter Relay 2 -J907-	⇒ <a href="#">"1.2.1 Relays on Fuse Panel B SB , from August 2019", page 2</a>	

1.2 Relays on Fuse Panel B -SB- , from August 2019

◆ ⇒ ["1.2.1 Relays on Fuse Panel B SB , from August 2019", page 2](#)

1.2.1 Relays on Fuse Panel B -SB- , from August 2019

- 1 - Fuse Panel B -SB-
- R1 - Starter Relay 1 -J906-
- R2 - Starter Relay 2 -J907-
- R3 - Horn Relay -J413-
- R4 - Secondary air injection pump relay -J299-
- R5 - Motronic Engine Control Module Power Supply Relay -J271-
- For vehicles with gasoline engine



Return to overview ⇒ [page 1](#)

### 1.3 Relays on Fuse Panel C -SC- , from August 2019

◆ ⇒ [“1.3.1 Relays on Fuse Panel C SC , from August 2019”, page 4](#)

1.3.1 Relays on Fuse Panel C -SC- , from August 2019

1 - Fuse Panel C -SC-

R1 - Not used

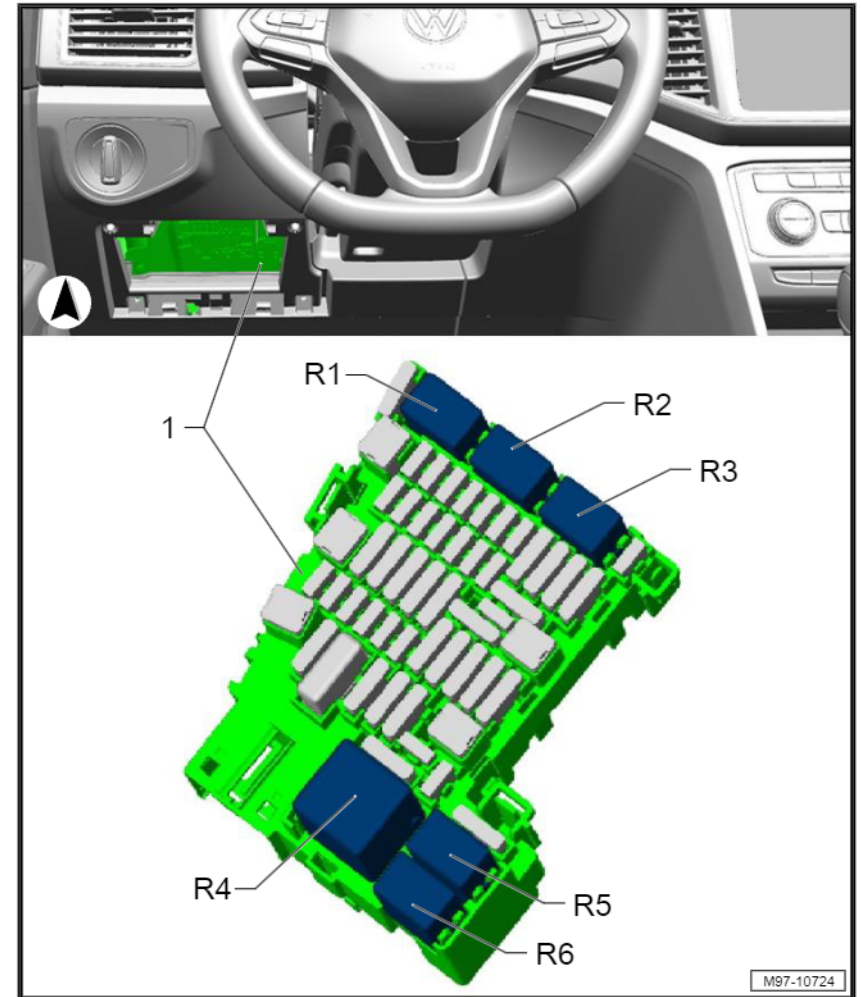
R2 - A/C Clutch Relay -J44-

R3 - Not used

R4 - Terminal 15 Power Supply Relay -J329-

R5 - Rear Window Defogger Relay -J9-

R6 - Sockets Relay -J807-



Return to overview ⇒ [page 1](#)

1.4 Relay and Fuse Panel 3 -SR3- , from August 2019

◆ ⇒ ["1.4.1 Relay and Fuse Panel 3 SR3 , from August 2019", page 5](#)

1.4.1 Relay and Fuse Panel 3 -SR3- , from August 2019

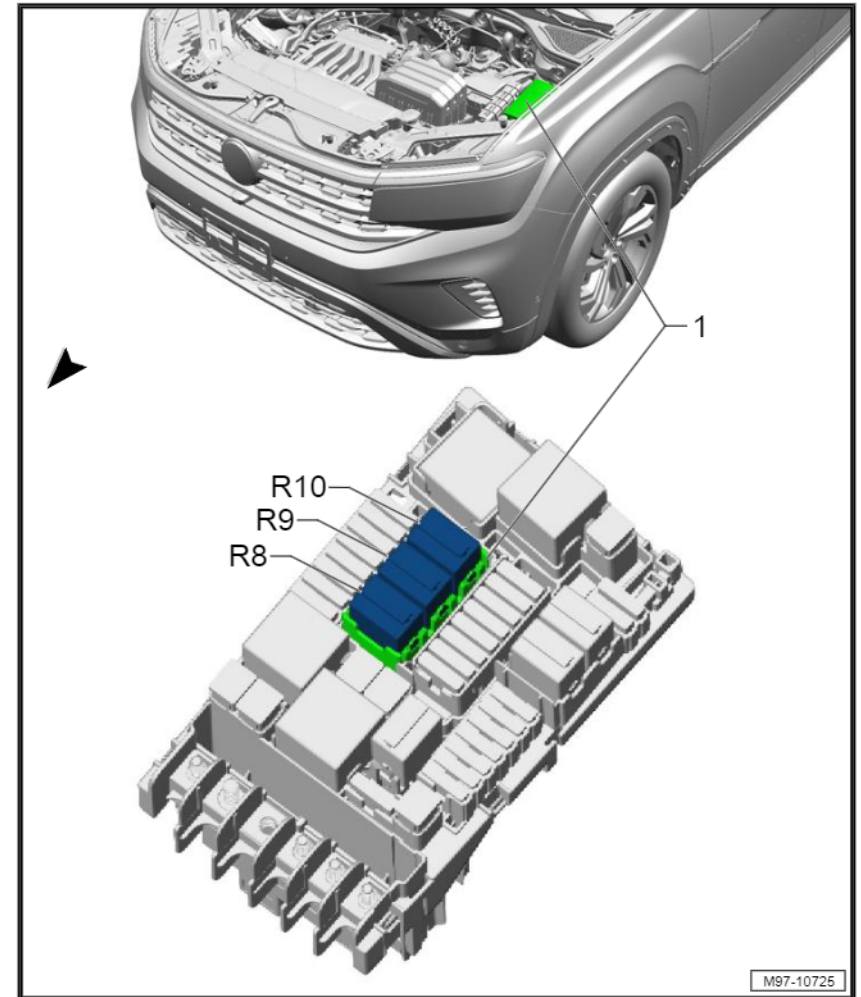
1 - Relay and Fuse Panel 3 -SR3-

R8 - Engine Component Power Supply Relay -J757-

☐ Only for vehicles with 2.0L gasoline engine

R9 - Wiper motor relay 1 -J368-

R10 - Wiper motor relay 2 -J369-



Return to overview ⇒ [page 1](#)

1.5 Relay Panel 5 -SR5- , from August 2019

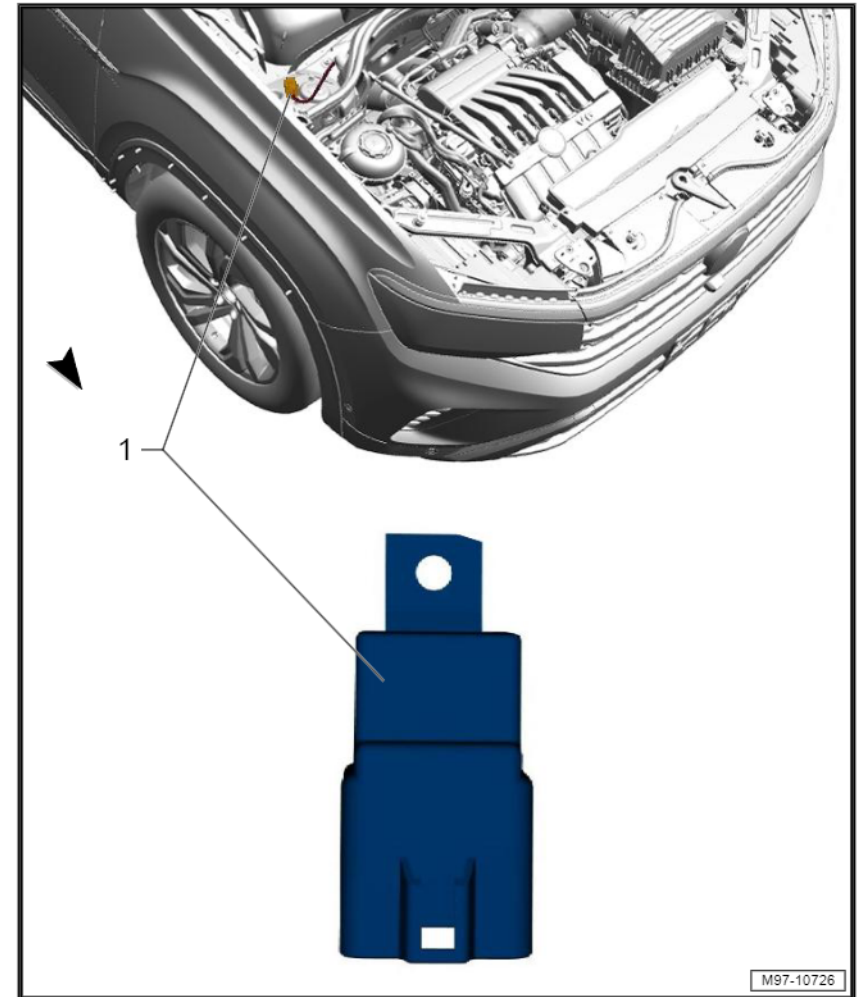
◆ ⇒ ["1.5.1 Relay Panel 5 SR5 , from August 2019", page 6](#)

1.5.1 Relay Panel 5 -SR5- , from August 2019

1 - Relay Panel 5 -SR5-

1 - Windshield Defogger Relay -J47-

☐ For vehicles with windshield defogger



Return to overview ⇒ [page 1](#)

1.6 Relays on Fuse Panel 1 -ST1- , from August 2019

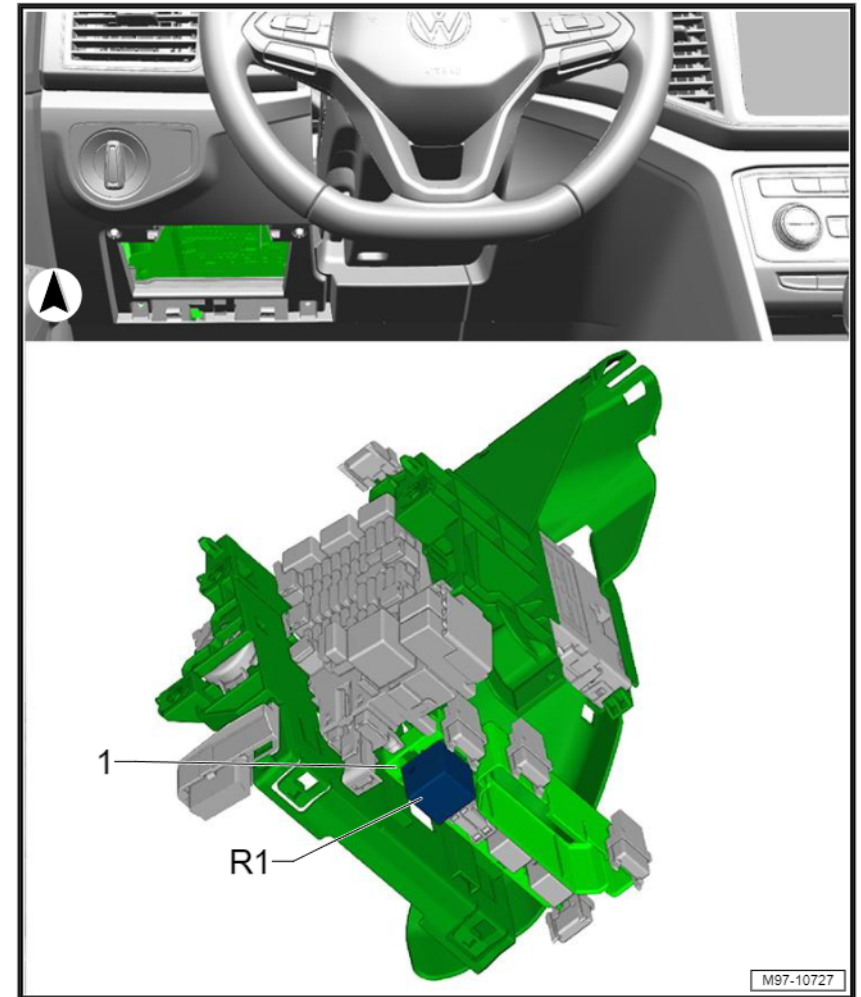
◆ ⇒ [“1.6.1 Relays on Fuse Panel 1 ST1 , from August 2019”, page 7](#)

1.6.1 Relays on Fuse Panel 1 -ST1- , from August 2019

1 - Fuse Panel 1 -ST1-

R1 - Remote Start System Relay -J471-

- For vehicles with engine remote start



Return to overview ⇒ [page 1](#)

