

1 Comp. Loc.: Fuses

- ◆ ⇒ [“1.2 Fuse Panel A SA , from August 2019”, page 1](#)
- ◆ ⇒ [“1.4 Fuse Panel B SB , from August 2019”, page 5](#)
- ◆ ⇒ [“1.5 Fuse Panel C SC , from August 2019”, page 10](#)
- ◆ ⇒ [“1.6 Single Fuse, from August 2019”, page 15](#)

1.1 Components Index

Component	Chapter	Comments
Fuse Panel A -SA-	⇒ “1.2 Fuse Panel A SA , from August 2019”, page 1	Only for vehicles with 180 A generator
Fuse Panel B -SB-	⇒ “1.3 Multi-fuse strip on Fuse Panel B SB , from August 2019”, page 3 ⇒ “1.4 Fuse Panel B SB , from August 2019”, page 5	Only for vehicles with 150 A generator
Fuse Panel C -SC-	⇒ “1.5 Fuse Panel C SC , from August 2019”, page 10	
Fuse Panel 1 -ST1-	⇒ “1.6 Single Fuse, from August 2019”, page 15	
Fuse Panel 2 -ST2-	⇒ “1.6 Single Fuse, from August 2019”, page 15	

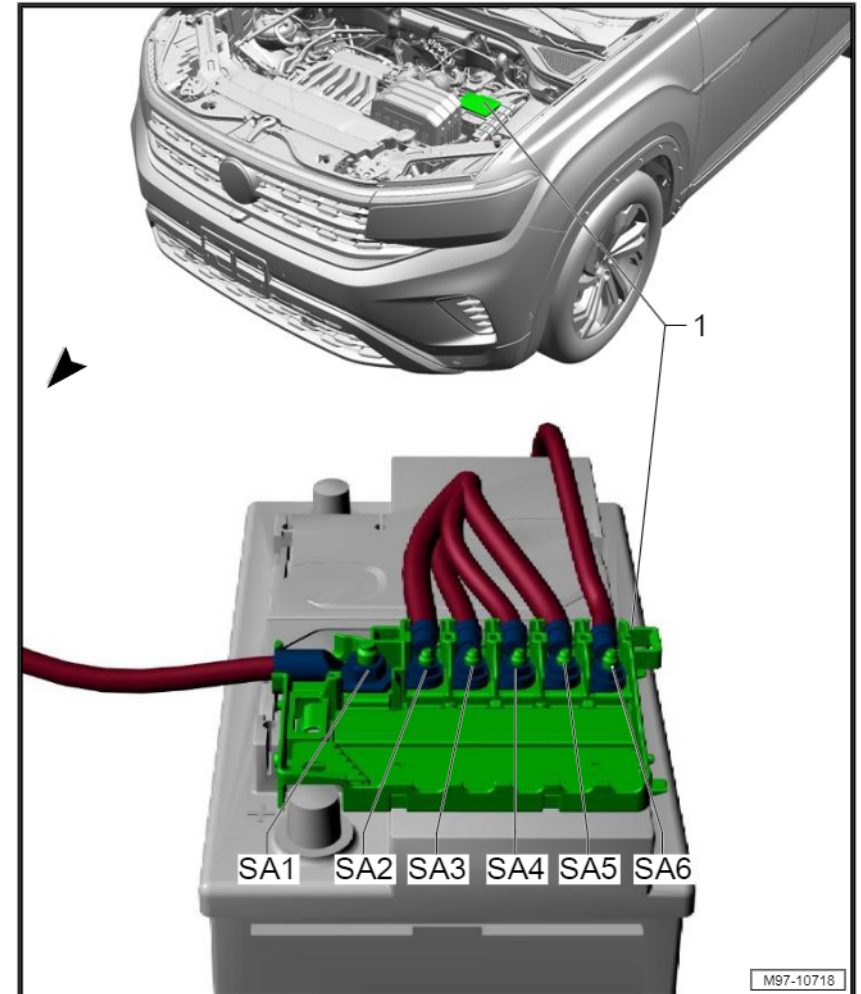
1.2 Fuse Panel A -SA- , from August 2019

- ◆ ⇒ [“1.2.1 Fuse Panel A SA Location, from August 2019”, page 1](#)
- ◆ ⇒ [“1.2.2 Fuse Panel A SA Assignments, from August 2019”, page 2](#)

1.2.1 Fuse Panel A -SA- Location, from August 2019

1 - Fuse Panel A -SA-

- ❑ Only for vehicles with 180 A generator



Return to overview ⇒ [page 1](#)

1.2.2 Fuse Panel A -SA- Assignments, from August 2019

Location	Designation in Wiring Diagram	Nominal Value	Function / Component	Terminal
SA1	Fuse 1 (On Fuse Panel A) -SA1-	400 A	Generator with Voltage Regulator -CX1-	30
SA2	Not used	-	-	-

Location	Designation in Wiring Diagram	Nominal Value	Function / Component	Terminal
SA3	Fuse 3 (on Fuse Panel A) -SA3-	100 A	Radiator Fan -VX57-	30
SA4	Fuse 4 (On Fuse Panel A) -SA4-	80 A	Supply for Fuses: Fuse 3 (On Fuse Panel C) -SC3- Fuse 15 (On Fuse Panel C) -SC15- - Fuse 19 (On Fuse Panel C) -SC19- Fuse 21 (On Fuse Panel C) -SC21- Fuse 23 (On Fuse Panel C) -SC23- - Fuse 28 (On Fuse Panel C) -SC28- Fuse 30 (On Fuse Panel C) -SC30- Fuse 43 (On Fuse Panel C) -SC43- - Fuse 45 (On Fuse Panel C) -SC45- Fuse 50 (On Fuse Panel C) -SC50-	30
SA5	Fuse 5 (On Fuse Panel A) -SA5-	125 A	Supply for Fuses: Fuse 4 (On Fuse Panel C) -SC4- - Fuse 12 (On Fuse Panel C) -SC12- Fuse 14 (On Fuse Panel C) -SC14- Fuse 22 (On Fuse Panel C) -SC22- Fuse 38 (On Fuse Panel C) -SC38- - Fuse 40 (On Fuse Panel C) -SC40- ¹⁾ Fuse 42 (On Fuse Panel C) -SC42- Fuse 46 (On Fuse Panel C) -SC46- Fuse 51 (On Fuse Panel C) -SC51- Fuse 53 (On Fuse Panel C) -SC53- Sockets Relay -J807- Terminal 15 Power Supply Relay -J329- Front Passenger Power Seat Adjustment Circuit Breaker 1 -S46- Trailer circuit breaker -S87-	30
SA6	Fuse 6 (On Fuse Panel A) -SA6-	80 A	Power Steering Control Module -J500-	30

¹⁾ Supply by terminal 30 possible

Return to overview ⇒ [page 1](#)

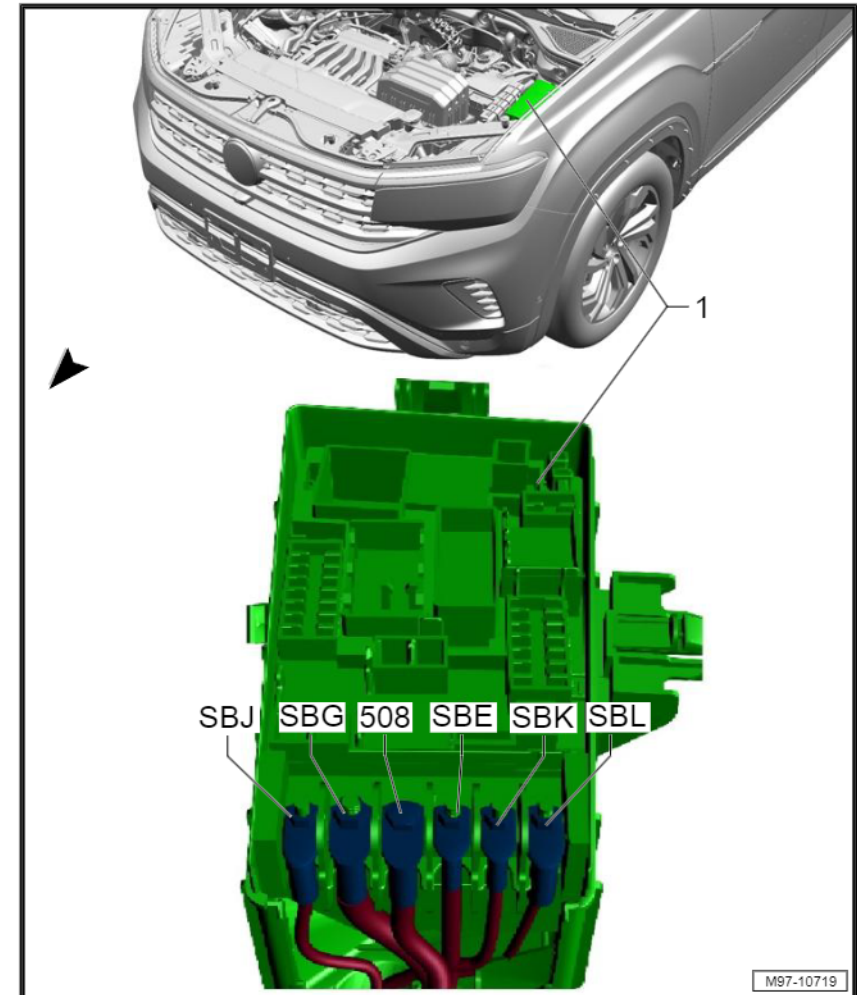
1.3 Multi-fuse strip on Fuse Panel B -SB- , from August 2019

- ◆ ⇒ [“1.3.1 Multi-fuse strip location on Fuse Panel B SB , from August 2019”, page 3](#)
- ◆ ⇒ [“1.3.2 Multi-fuse strip assignment on Fuse Panel B SB , from August 2019”, page 4](#)

1.3.1 Multi-fuse strip location on Fuse Panel B -SB- , from August 2019

1 - Fuse Panel B -SB-

- Only for vehicles with 150 A generator



Return to overview [⇒ page 1](#)

1.3.2 Multi-fuse strip assignment on Fuse Panel B -SB- , from August 2019

Location	Designation in Wiring Diagram	Nominal Value	Function / Component	Terminal
SBJ	Fuse J (On Fuse Panel B) -SBJ-	125 A	Supply for Fuses: Fuse 4 (On Fuse Panel C) -SC4- - Fuse 12 (On Fuse Panel C) -SC12-	30

Location	Designation in Wiring Diagram	Nominal Value	Function / Component	Terminal
			Fuse 14 (On Fuse Panel C) -SC14- Fuse 22 (On Fuse Panel C) -SC22- Fuse 38 (On Fuse Panel C) -SC38- Fuse 40 (On Fuse Panel C) -SC40- Fuse 42 (On Fuse Panel C) -SC42- Fuse 46 (On Fuse Panel C) -SC46- Fuse 51 (On Fuse Panel C) -SC51- Fuse 53 (On Fuse Panel C) -SC53- Sockets Relay -J807- Terminal 15 Power Supply Relay -J329- Front Passenger Power Seat Adjustment Circuit Breaker 1 -S46- Trailer circuit breaker -S87-	
SBG	Fuse G (On Fuse Panel B) -SBG-	400 A	Generator with Voltage Regulator -CX1-	30
508	508 Threaded Connection - terminal 30 on the E-box	-	Battery -A-	30
SBE	Fuse E (On Fuse Panel B) -SBE-	80 A	Power Steering Control Module -J500-	30
SBK	Fuse K (On Fuse Panel B) -SBK-	80 A	Supply for Fuses: Fuse 3 (On Fuse Panel C) -SC3- Fuse 15 (On Fuse Panel C) -SC15- - Fuse 19 (On Fuse Panel C) -SC19- Fuse 21 (On Fuse Panel C) -SC21- Fuse 23 (On Fuse Panel C) -SC23- - Fuse 28 (On Fuse Panel C) -SC28- Fuse 30 (On Fuse Panel C) -SC30- Fuse 43 (On Fuse Panel C) -SC43- - Fuse 45 (On Fuse Panel C) -SC45- Fuse 50 (On Fuse Panel C) -SC50-	30
SBL	Fuse L (On Fuse Panel B) -SBL-	80 A	Radiator Fan -VX57-	30

Return to overview [⇒ page 1](#)

1.4 Fuse Panel B -SB- , from August 2019

- ◆ [⇒ "1.4.1 Fuse Panel B SB Location, from August 2019", page 5](#)
- ◆ [⇒ "1.4.2 Fuse Panel B SB Assignment, from August 2019", page 6](#)

1.4.1 Fuse Panel B -SB- Location, from August 2019

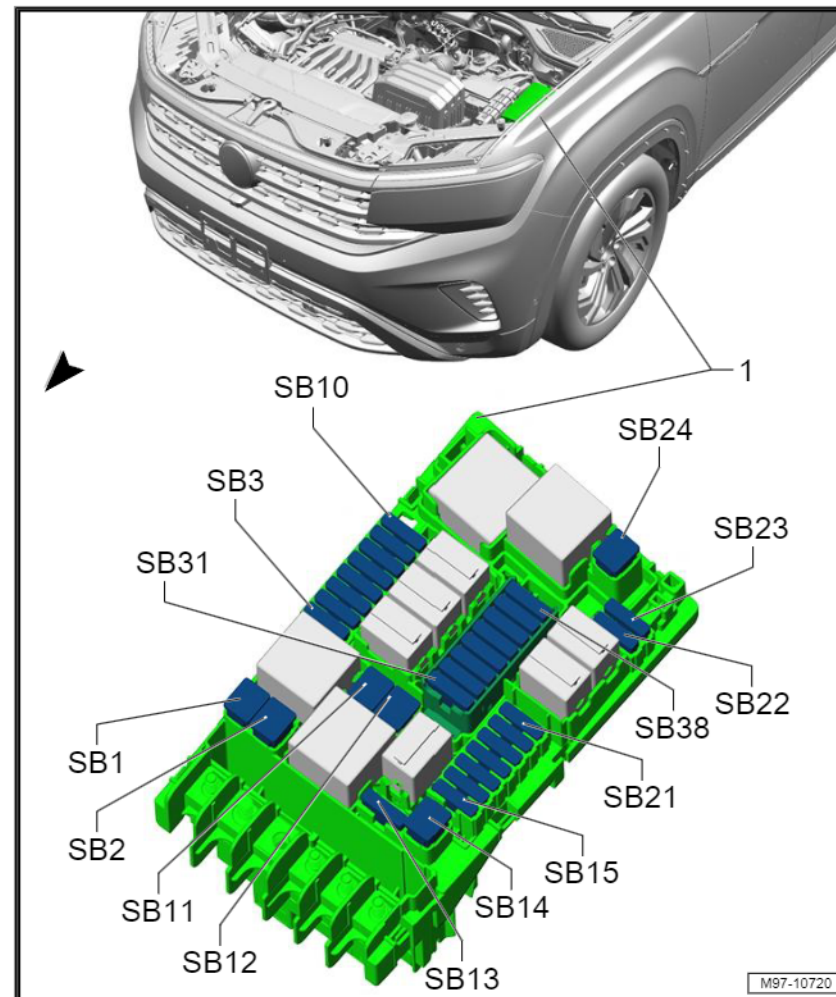
1 - Fuse Panel B -SB-

Fuse colors, for the J-case fuse:

- ◆ 50 A - red
- ◆ 40 A - green
- ◆ 30 A - pink

Fuse colors, for the ATO flat fuse:

- ◆ 40 A - orange
- ◆ 30 A - light green
- ◆ 25 A - natural (white)
- ◆ 20 A - yellow
- ◆ 15 A - light blue
- ◆ 10 A - red
- ◆ 7.5 A - brown
- ◆ 5 A - light brown
- ◆ 1 A - black



Return to overview ⇒ [page 1](#)

1.4.2 Fuse Panel B -SB- Assignment, from August 2019

Location	Designation in Wiring Diagram	Nominal Value	Function / Component	Terminal
SB1	Fuse 1 (On Fuse Panel B) -SB1-	25 A	ABS Control Module -J104-	30
SB2	Fuse 2 (On Fuse Panel B) -SB2-	60 A	ABS Control Module -J104-	30

Location	Designation in Wiring Diagram	Nominal Value	Function / Component	Terminal
SB3	Fuse 3 (On Fuse Panel B) -SB3-	15 A	Engine/Motor Control Module -J623-	87
SB4	Fuse 4 (On Fuse Panel B) -SB4-	10 A	Fuel Tank Leak Detection Control Module -J909- ²⁾ Radiator Fan -VX57- ♦ Radiator Fan Control Module -J293- ♦ Radiator Fan -V7- Oil Level Thermal Sensor -G266- Coolant Shut-Off Valve -N82- ²⁾ Camshaft Adjustment Valve 1 -N205- ²⁾ Coolant Circulation Valve -N214- ²⁾ Intake Manifold Runner Control Valve -N316- Exhaust Camshaft Adjustment Valve 1 -N318- ²⁾ Turbocharger Recirculation Valve -N249- ¹⁾ Oil Pressure Regulation Valve -N428- ¹⁾ Piston Cooling Nozzle Control Valve -N522- ¹⁾ EVAP Canister Purge Regulator Valve 1 -N80- ²⁾ Coolant regulation valve -N515-	87
SB5	Fuse 5 (On Fuse Panel B) -SB5-	10 A	Cylinder 1 Exhaust Cam Actuator A -N580- ¹⁾ Cylinder 1 Exhaust Cam Actuator B -N581- ¹⁾ Cylinder 2 Exhaust Cam Actuator B -N589- ¹⁾ Cylinder 2 Exhaust Cam Actuator A -N588- ¹⁾ Cylinder 3 Exhaust Cam Actuator A -N596- ¹⁾ Cylinder 3 Exhaust Cam Actuator B -N597- ¹⁾ Cylinder 4 Exhaust Cam Actuator B -N605- ¹⁾ Cylinder 4 Exhaust Cam Actuator A -N604- ¹⁾ Engine Component Power Supply Relay -J757-	87
SB6	Fuse 6 (On Fuse Panel B) -SB6-	7.5 A	Brake Lamp Switch -F-	87
SB7	Fuse 7 (On Fuse Panel B) -SB7-	10 A ³⁾ 7.5 A ³⁾	Radiator Shutter Motor -V544- Fuel Tank Leak Detection Control Module -J909- ¹⁾ Heater Support Pump -V488- ²⁾	87

Location	Designation in Wiring Diagram	Nominal Value	Function / Component	Terminal
			Transmission Coolant Valve -N488- ²⁾ Positive Crankcase Ventilation Heating Element -N79- ²⁾ Coolant Recirculation Pump -V50- ²⁾ Coolant Shut-Off Valve -N82-	
SB8	Fuse 8 (On Fuse Panel B) -SB8-	15 A	Oxygen Sensor 1 After Catalytic Converter -GX7- ◆ Heater for Oxygen Sensor 1 After Catalytic Converter -Z29- Oxygen Sensor 1 Before Catalytic Converter -GX10- ¹⁾ ◆ Oxygen Sensor Heater -Z19- Oxygen Sensor 2 after Catalytic Converter -GX8- ²⁾ ◆ Heater for oxygen sensor 2 after catalytic converter -Z30-	87
SB9	Fuse 9 (On Fuse Panel B) -SB9-	20 A ³⁾ 10 A ³⁾	Ignition Coil 1 with Power Output Stage -N70- ²⁾ Ignition Coil 2 with Power Output Stage -N127- ²⁾ Ignition Coil 3 with Power Output Stage -N291- ²⁾ Ignition Coil 4 with Power Output Stage -N292- ²⁾ Ignition Coil 5 with Power Output Stage -N323- ²⁾ Ignition Coil 6 with Power Output Stage -N324- ²⁾ Heater Support Pump -V488- ¹⁾ EVAP Canister Purge Regulator Valve 1 -N80- ¹⁾ Camshaft Adjustment Valve 1 -N205- ¹⁾ Exhaust Camshaft Adjustment Valve 1 -N318- ¹⁾	87
SB10	Fuse 10 (On Fuse Panel B) -SB10-	20 A	Fuel Pump Control Module -J538-	87
SB11	Not used	-	-	-
SB12	Not used	-	-	-
SB13	Not used	-	-	-
SB14	Fuse 14 (On Fuse Panel B) -SB14-	60 A	Windshield Defogger Relay -J47-	30
SB15	Fuse 15 (On Fuse Panel B) -SB15-	15 A	Horn Relay -J413-	30
SB16	Fuse 16 (On Fuse Panel B) -SB16-	20 A	Engine Component Power Supply Relay -J757- ¹⁾ Ignition Coil 1 with Power Output Stage -N70- ¹⁾ Ignition Coil 2 with Power Output Stage -N127- ¹⁾	30

Location	Designation in Wiring Diagram	Nominal Value	Function / Component	Terminal
			Ignition Coil 3 with Power Output Stage -N291- ¹⁾ Ignition Coil 4 with Power Output Stage -N292- ¹⁾	
SB17	Fuse 17 (On Fuse Panel B) -SB17-	7.5 A	ABS Control Module -J104- Engine/Motor Control Module -J623- Motronic Engine Control Module Power Supply Relay -J271-	30
SB18	Fuse 18 (On Fuse Panel B) -SB18-	7.5 A	Battery Monitoring Control Module -J367- Data Bus on Board Diagnostic Interface -J533-	30
SB19	Fuse 19 (On Fuse Panel B) -SB19-	30 A	Wiper motor relay 1 -J368- Wiper motor relay 2 -J369-	30
SB20	Not used	-	-	-
SB21	Fuse 21 (On Fuse Panel B) -SB21-	15 A	Transmission Control Module -J217-	30
SB22	Fuse 22 (On Fuse Panel B) -SB22-	7.5 A	Engine/Motor Control Module -J623-	50
SB23	Fuse 23 (On Fuse Panel B) -SB23-	30 A	Starter -B-	50
SB24	Not used	-		-
SB25	Not used	-		-
SB26	Not used	-		-
SB27	Not used	-		-
SB28	Not used	-		-
SB29	Not used	-		-
SB30	Not used	-		-
SB31	Not used	-		-
SB32	Not used	-		-
SB33	Not used	-		-
SB34	Not used	-		-
SB35	Not used	-		-
SB36	Fuse 36 (On Fuse Panel B) -SB36-	15 A	Left Front Headlamp -MX1-	30
SB37	Fuse 37 (On Fuse Panel B) -SB37-	20 A	Auxiliary Heater Control Module -J364-	30
SB38	Fuse 38 (On Fuse Panel B) -SB38-	15 A	Right Front Headlamp -MX2-	30

1) Only for vehicles with 2.0L gasoline engine

2) Only for vehicles with 3.6L gasoline engine

3) Depending on equipment

Return to overview ⇒ [page 1](#)

1.5 Fuse Panel C -SC- , from August 2019

◆ ⇒ [“1.5.1 Fuse Panel C SC Location, from August 2019”, page 10](#)

◆ ⇒ [“1.5.2 Fuse Panel C SC Assignment, from August 2019”, page 12](#)

1.5.1 Fuse Panel C -SC- Location, from August 2019

1 - Fuse Panel C -SC-

Fuse colors, for the J-case fuse:

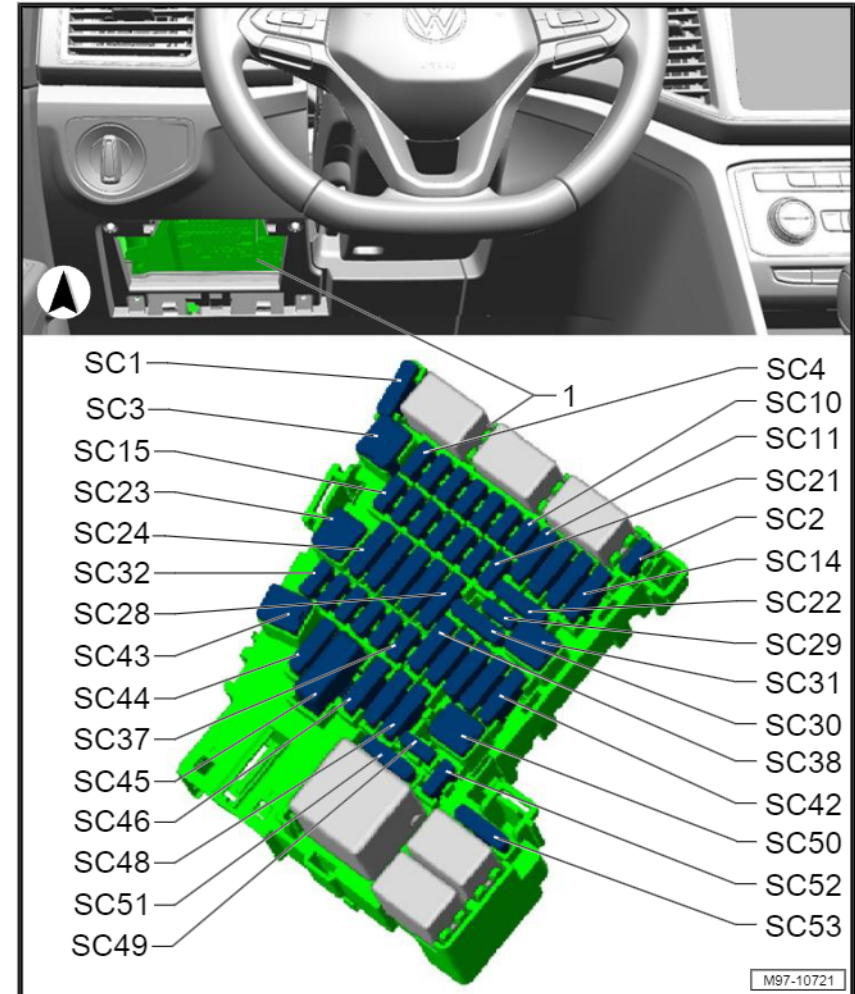
- ◆ 50 A - red
- ◆ 40 A - green
- ◆ 30 A - pink

Fuse colors, for the ATO flat fuse:

- ◆ 40 A - orange
- ◆ 30 A - light green
- ◆ 25 A - natural (white)
- ◆ 20 A - yellow
- ◆ 15 A - light blue
- ◆ 10 A - red
- ◆ 7.5 A - brown
- ◆ 5 A - light brown
- ◆ 1 A - black

Fuse colors, for the mini fuse:

- ◆ 20 A - yellow
- ◆ 15 A - light blue
- ◆ 10 A - red
- ◆ 7.5 A - brown
- ◆ 5 A - light brown
- ◆ 1 A - black



Return to overview ⇒ [page 1](#)

1.5.2 Fuse Panel C -SC- Assignment, from August 2019



Note

From the factory, fuse SC40 is supplied by terminal 15 and can be supplied by terminal 30 instead. If equipment is connected to the socket or the cigarette lighter, make sure the equipment is disconnected from the power supply when the engine is off to prevent the battery from draining.

Location	Designation in Wiring Diagram	Nominal Value	Function / Component	Terminal
SC1	Not used	-	-	-
SC2	Fuse 2 (On Fuse Panel C) -SC2-	10 A	Steering Column Electronics Control Module -J527- ¹⁾	30
SC3	Fuse 3 (On Fuse Panel C) -SC3-	30 A	Rear fresh air blower control module -J391-	30
SC4	Fuse 4 (On Fuse Panel C) -SC4-	7.5 A	Vehicle Electrical System Control Module -J519-	30
SC5	Fuse 5 (On Fuse Panel C) -SC5-	7.5 A	Data Bus on Board Diagnostic Interface -J533- Remote Start System Relay -J471- ^{2) 3)}	30
SC6	Fuse 6 (On Fuse Panel C) -SC6-	7.5 A	Selector mechanism -EX2- Ignition Switch Key Lock Solenoid -N376-	30
SC7	Fuse 7 (On Fuse Panel C) -SC7-	10 A	Heater and A/C Controls -EX21- Rear A/C Display Control Head -E265- Rear Window Defogger Relay -J9- A/C Clutch Relay -J44-	30
SC8	Fuse 8 (On Fuse Panel C) -SC8-	7.5 A	Diagnostic Connection -U31- Electromechanical Parking Brake Button -E538- Driving Profile Selection Control Head -E881- Rain/Light Recognition Sensor -G397- Rotary Light Switch -EX1- Cornering Lamp and Headlamp Range Control Module -J745- Instrument Panel Contour Illumination Lamp 1 -L243- Instrument Panel Contour Illumination Lamp 2 -L244- Instrument Panel Contour Illumination Lamp 3 -L245- Garage Door Opener Control Head -E284-	30
SC9	Fuse 9 (On Fuse Panel C) -SC9-	7.5 A	Steering Column Electronics Control Module -J527-	30

Location	Designation in Wiring Diagram	Nominal Value	Function / Component	Terminal
			Ignition/Starter Switch -D-	
SC10	Fuse 10 (On Fuse Panel C) -SC10-	7.5 A	Front Information Display Control Head -J685-	30
SC11	Fuse 11 (On Fuse Panel C) -SC11-	40 A	Vehicle Electrical System Control Module -J519-	30
SC12	Fuse 12 (On Fuse Panel C) -SC12-	20 A	Information Electronics Control Module 1 -J794-	30
SC13	Not used	-	-	-
SC14	Fuse 14 (On Fuse Panel C) -SC14-	40 A	Fresh Air Blower Control Module -J126-	30
SC15	Fuse 15 (On Fuse Panel C) -SC15-	10 A	Electronic Steering Column Lock Control Module -J764-	30
SC16	Fuse 16 (On Fuse Panel C) -SC16-	7.5 A	USB Distributor -R293- USB Connection 1 -U41-	30
SC17	Fuse 17 (On Fuse Panel C) -SC17-	7.5 A	Instrument Cluster -KX2- Control Module for Emergency Call Module and Communication Unit -J949-	30
SC18	Fuse 18 (On Fuse Panel C) -SC18-	7.5 A	Selector Mechanism -EX2- ⁴⁾ Peripheral Camera Control Module -J928- ⁵⁾ Rear Lid Handle -EX37-	30
SC19	Fuse 19 (On Fuse Panel C) -SC19-	7.5 A	Access/Start System Interface -J965-	30
SC20	Not used	-	-	-
SC21	Fuse 21 (On Fuse Panel C) -SC21-	15 A	All Wheel Drive Control Module -J492-	30
SC22	Fuse 22 (On Fuse Panel C) -SC22-	15 A	Towing Recognition Control Module -J345-	30
SC23	Fuse 23 (On Fuse Panel C) -SC23-	20 A	Sunroof Control Module -J245-	30
SC24	Fuse 24 (On Fuse Panel C) -SC24-	40 A	Vehicle Electrical System Control Module -J519-	30
SC25	Fuse 25 (On Fuse Panel C) -SC25-	30 A	Driver Door Control Module -J386- ⁵⁾ Driver Side Rear Window Regulator Motor -V471-	30 30
SC26	Fuse 26 (On Fuse Panel C) -SC26-	30 A	Vehicle Electrical System Control Module -J519-	30
SC27	Fuse 27 (On Fuse Panel C) -SC27-	30 A	Vehicle Electrical System Control Module -J519-	30
SC28	Fuse 28 (On Fuse Panel C) -SC28-	25 A	Towing Recognition Control Module -J345-	30
SC29	Fuse 29 (On Fuse Panel C) -SC29-	5 A	Refrigerant Circuit Pressure Sensor -G805-	15
SC30	Fuse 30 (On Fuse Panel C) -SC30-	10 A	Remote Start System Relay -J471- ²⁾ ³⁾	30
SC31	Fuse 31 (On Fuse Panel C) -SC31-	30 A	Rear Lid Control Module -J605-	30
SC32	Fuse 32 (On Fuse Panel C) -SC32-	10 A	Blind Spot Detection Control Module -J1086- Blind Spot Detection Control Module 2 -J1087- Parking Aid Control Module -J446-	15

Location	Designation in Wiring Diagram	Nominal Value	Function / Component	Terminal
			Driver Assistance Systems Front Camera -R242- Control Module for Adaptive Cruise Control -J428-	
SC33	Fuse 33 (On Fuse Panel C) -SC33-	7.5 A	Airbag Control Module -J234- Passenger Seat Occupant Detection Sensor -G128- Passenger Occupant Detection System Control Module -J706-	15
SC34	Fuse 34 (On Fuse Panel C) -SC34-	7.5 A	Refrigerant Circuit Pressure Sensor -G805- ⁶⁾ Switch Module in Instrument Panel, Center -EX22- ◆ Front Passenger Airbag -Disabled- Indicator Lamp -K145- Interior Rearview Mirror -EX5- Rotary Light Switch -EX1- Sockets Relay -J807-	15
SC35	Fuse 35 (On Fuse Panel C) -SC35-	7.5 A	Diagnostic Connection -U31-	15
SC36	Not used	-	-	-
SC37	Not used	-	-	-
SC38	Fuse 38 (On Fuse Panel C) -SC38-	25 A	Towing Recognition Control Module -J345-	30
SC39	Fuse 39 (On Fuse Panel C) -SC39-	30 A	Front Passenger Door Control Module -J387- Passenger Side Rear Window Regulator Motor -V472-	30
SC40 8), 9)	Fuse 40 (On Fuse Panel C) -SC40-	20 A	12 V Socket -U5- 12 V Socket 2 -U18- 12 V Socket 3 -U19-	15 ⁸⁾ / 30 ⁹⁾
SC41	Not used	-	-	-
SC42	Fuse 42 (On Fuse Panel C) -SC42-	40 A	Vehicle Electrical System Control Module -J519-	30
SC43	Fuse 43 (On Fuse Panel C) -SC43-	40 A	Digital Sound System Control Module -J525-	30
SC44	Fuse 44 (On Fuse Panel C) -SC44-	15 A	Towing Recognition Control Module -J345-	30
SC45	Fuse 45 (On Fuse Panel C) -SC45-	15 A	Left Front Seat Backrest Fan 1 -V512- Driver Seat Adjustment Control Module -J810- Left Front Seat Adjustment Control Head -EX33- Driver Seat Lumbar Support Adjustment Switch -E176- Left Front Seat Cushion Fan 1 -V514-	30
SC46	Fuse 46 (On Fuse Panel C) -SC46-	30 A	Converter with Socket, 12 V-230 V -U13-	30
SC47	Fuse 47 (On Fuse Panel C) -SC47-	15 A	Rear Window Wiper Motor -V12-	15

Location	Designation in Wiring Diagram	Nominal Value	Function / Component	Terminal
SC48	Not used	-	-	-
SC49	Fuse 49 (On Fuse Panel C) -SC49-	7.5 A	Starter Relay 1 -J906- Starter Relay 2 -J907- Remote Start System Relay -J471- ³⁾	15
SC50	Not used	-	-	-
SC51	Fuse 51 (On Fuse Panel C) -SC51-	25 A	Rear A/C Display Control Head -E265-	30
SC52	Not used	-	-	-
SC53	Not used	-	-	-

- 1) Only for vehicles with a heated steering wheel
- 2) Only for vehicles with engine remote start
- 3) Only for vehicles with engine remote start preparation
- 4) For models with rearview camera system
- 5) Only for vehicles with peripheral camera
- 6) Only for vehicles without engine remote start
- 7) Depending on equipment
- 8) Supplied by terminal 15 from the factory
- 9) Supply by terminal 30 possible

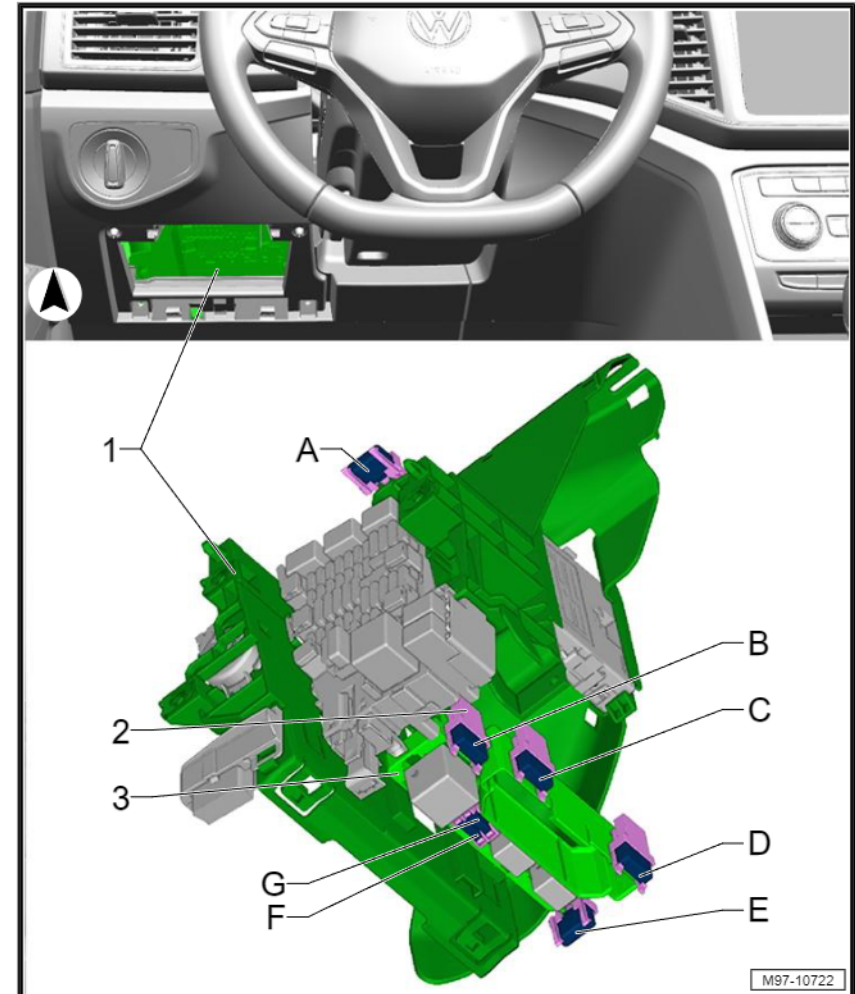
Return to overview ⇒ [page 1](#)

1.6 Single Fuse, from August 2019

- ◆ ⇒ [“1.6.1 Single Fuse Location, from August 2019”, page 15](#)
- ◆ ⇒ [“1.6.2 Single Fuse Assignment, from August 2019”, page 16](#)

1.6.1 Single Fuse Location, from August 2019

- 1 - Bracket
- 2 - Fuse Panel 2 -ST2-
- 3 - Fuse Panel 1 -ST1-



Return to overview ⇒ [page 1](#)

1.6.2 Single Fuse Assignment, from August 2019

Location	Designation in Wiring Diagram	Nominal Value	Function / Component	Terminal
A	Not used	-		-
B	Front Passenger Power Seat Adjustment Circuit Breaker 1 -S46-	15 A	Right Front Seat Adjustment Control Head -EX34-	30

Location	Designation in Wiring Diagram	Nominal Value	Function / Component	Terminal
			Right Front Seat Backrest Fan 1 -V516- Right Front Seat Cushion Fan 1 -V518-	
C	Not used	-		-
D	USB Charging Socket Fuse -S356-	7.5	USB Charging Socket 1 -U37-	15
E	Remote Start System Fuse 1 -S250-	5 A	Refrigerant Circuit Pressure Sensor -G805-	15
F	Not used	-		-
G	Trailer circuit breaker -S87-	25 A	Electric trailer brake position sensor -G508-	30

Return to overview [⇒ page 1](#)

