

1 Fuses

- ◆ ⇒ ["1.1 Multifuse fuse strip on fuse holder B SB , from March 2017", page 2](#)
- ◆ ⇒ ["1.2 Fuse holder B SB , from March 2017", page 5](#)
- ◆ ⇒ ["1.3 Fuse holder B SB , from November 2017", page 9](#)
- ◆ ⇒ ["1.4 Fuse holder B SB , from July 2018", page 14](#)
- ◆ ⇒ ["1.5 Fuse holder C SC , from March 2017", page 19](#)
- ◆ ⇒ ["1.6 Fuse holder C SC , from November 2017", page 27](#)
- ◆ ⇒ ["1.7 Fuse holder C SC , from July 2018", page 35](#)
- ◆ ⇒ ["1.8 Fuse holder C SC , from November 2018", page 43](#)
- ◆ ⇒ ["1.9 Fuse holder D SD , from March 2017", page 51](#)
- ◆ ⇒ ["1.10 Fuse holder D SD , from July 2018", page 53](#)
- ◆ ⇒ ["1.11 Fuse holder G SG , from March 2017", page 55](#)
- ◆ ⇒ ["1.12 Relay and fuse carrier 1 SR1 , from March 2017", page 58](#)
- ◆ ⇒ ["1.13 Individual fuses, from March 2017", page 60](#)
- ◆ ⇒ ["1.14 Individual fuses, from November 2018", page 64](#)

Component	Chapter	Comment
Fuse holder B -SB-	⇒ "1.1 Multifuse fuse strip on fuse holder B SB , from March 2017", page 2	
Fuse holder B -SB-	⇒ "1.2 Fuse holder B SB , from March 2017", page 5	
Fuse holder B -SB-	⇒ "1.3 Fuse holder B SB , from November 2017", page 9	
Fuse holder B -SB-	⇒ "1.4 Fuse holder B SB , from July 2018", page 14	
Fuse holder C -SC-	⇒ "1.5 Fuse holder C SC , from March 2017", page 19	
Fuse holder C -SC-	⇒ "1.6 Fuse holder C SC , from November 2017", page 27	
Fuse holder C -SC-	⇒ "1.7 Fuse holder C SC , from July 2018", page 35	
Fuse holder C -SC-	⇒ "1.8 Fuse holder C SC , from November 2018", page 43	
Fuse holder D -SD-	⇒ "1.9 Fuse holder D SD , from March 2017", page 51	
Fuse holder D -SD-	⇒ "1.10 Fuse holder D SD , from July 2018", page 53	

Component	Chapter	Comment
Fuse holder G -SG-	⇒ "1.11 Fuse holder G SG , from March 2017", page 55	for models with battery in luggage compartment
Relay and fuse carrier 1 -SR1-	⇒ "1.12 Relay and fuse carrier 1 SR1 , from March 2017", page 58	For models with diesel engine
Fuse carrier 1 -ST1-	⇒ "1.13 Individual fuses, from March 2017", page 60	For American markets
Fuse carrier 1 -ST1-	⇒ "1.13 Individual fuses, from March 2017", page 60	
Fuse carrier 1 -ST1-	⇒ "1.14 Individual fuses, from November 2018", page 64	For American markets
Fuse carrier 1 -ST1-	⇒ "1.14 Individual fuses, from November 2018", page 64	
Fuse carrier 2 -ST2-	⇒ "1.13 Individual fuses, from March 2017", page 60	
Fuse carrier 2 -ST2-	⇒ "1.13 Individual fuses, from March 2017", page 60	For models with electric seat adjustment on front passenger side
Fuse carrier 2 -ST2-	⇒ "1.14 Individual fuses, from November 2018", page 64	
Fuse carrier 2 -ST2-	⇒ "1.14 Individual fuses, from November 2018", page 64	For models with electric seat adjustment on front passenger side

1.1 Multifuse fuse strip on fuse holder B -SB- , from March 2017

- ◆ ⇒ ["1.1.1 Fitting location of multifuse fuse strip on fuse holder B SB , from March 2017", page 2](#)
- ◆ ⇒ ["1.1.2 Fuse assignment for multifuse fuse strip on fuse holder B SB , battery at front, from March 2017", page 4](#)
- ◆ ⇒ ["1.1.3 Fuse assignment for multifuse fuse strip on fuse holder B SB , battery at rear, from March 2017", page 5](#)

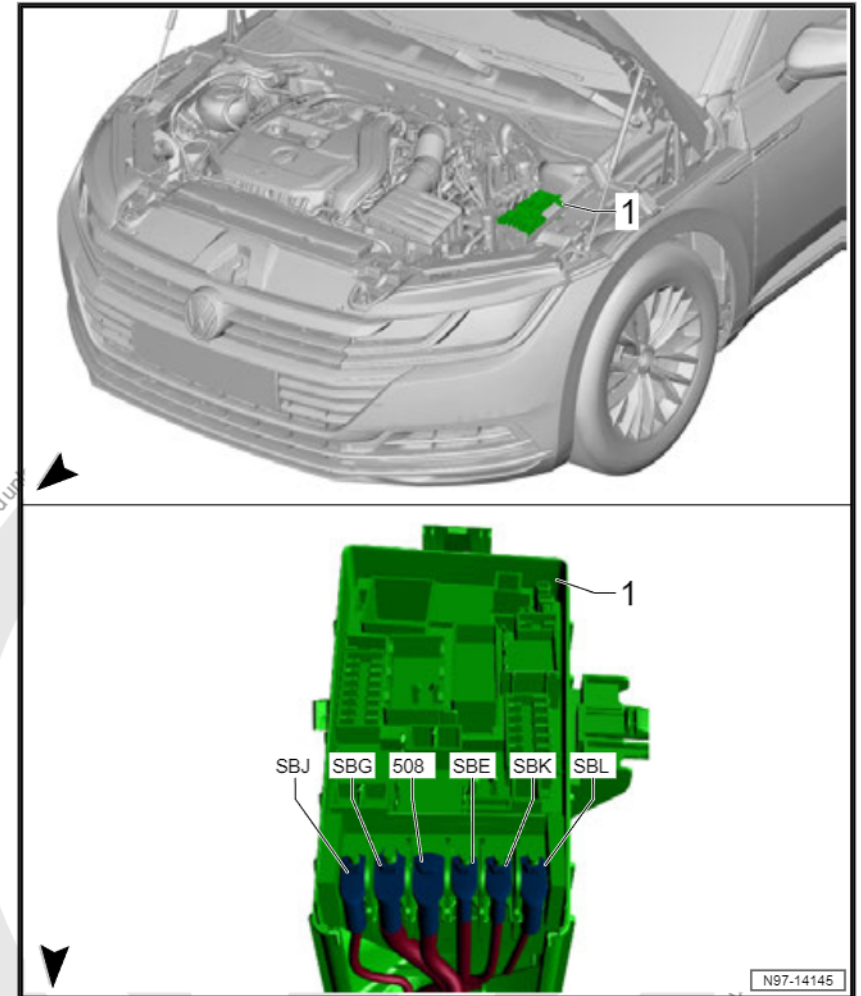
1.1.1 Fitting location of multifuse fuse strip on fuse holder B -SB- , from March 2017



Note

The fuse strip (multifuse) can be replaced as a complete unit.

1 - Fuse holder B -SB-



Multifuse strip fuse

⇒ Rep. Gr. 97 ; Removing and installing fuse holder

Back to overview ⇒ [page 1](#)

1.1.2 Fuse assignment for multifuse fuse strip on fuse holder B -SB- , battery at front, from March 2017



Note

for models with battery in engine compartment

Slot	Current flow diagram designation	Nominal value	Function / component	Terminal
SBJ	Fuse J on fuse holder B -SBJ-	125 A	Fuse holder C -SC- ◆ Fuse 4 on fuse holder C -SC4- - fuse 14 on fuse holder C -SC14- ◆ Fuse 22 on fuse holder C -SC22- ◆ Fuse 31 on fuse holder C -SC31- ◆ Fuse 38 on fuse holder C -SC38- - fuse 42 on fuse holder C -SC42- ◆ Fuse 53 on fuse holder C -SC53- ◆ Terminal 15 voltage supply relay -J329- ◆ Relay for power sockets -J807-	30
SBG	Fuse G on fuse holder B -SBG-	400 A	Alternator -C-	30
508	508 Threaded connection (30), on E-box	-	Battery -A-	30
SBE	Fuse E on fuse holder B -SBE-	80 A	Power steering control unit -J500-	30
SBK	Fuse K on fuse holder B -SBK-	80 A	Fuse holder C -SC- ◆ Fuse 1 on fuse holder C -SC1- - fuse 3 on fuse holder C -SC3- ◆ Fuse 15 on fuse holder C -SC15- - fuse 30 on fuse holder C -SC30- ◆ Fuse 43 on fuse holder C -SC43- - fuse 46 on fuse holder C -SC46- ◆ Fuse 50 on fuse holder C -SC50- - fuse 52 on fuse holder C -SC52-	30
SBL	Fuse L on fuse holder B -SBL-	50 A	Radiator fan -VX57-	30

Back to overview ⇒ [page 1](#)

1.1.3 Fuse assignment for multifuse fuse strip on fuse holder B -SB- , battery at rear, from March 2017



Note

for models with battery in luggage compartment

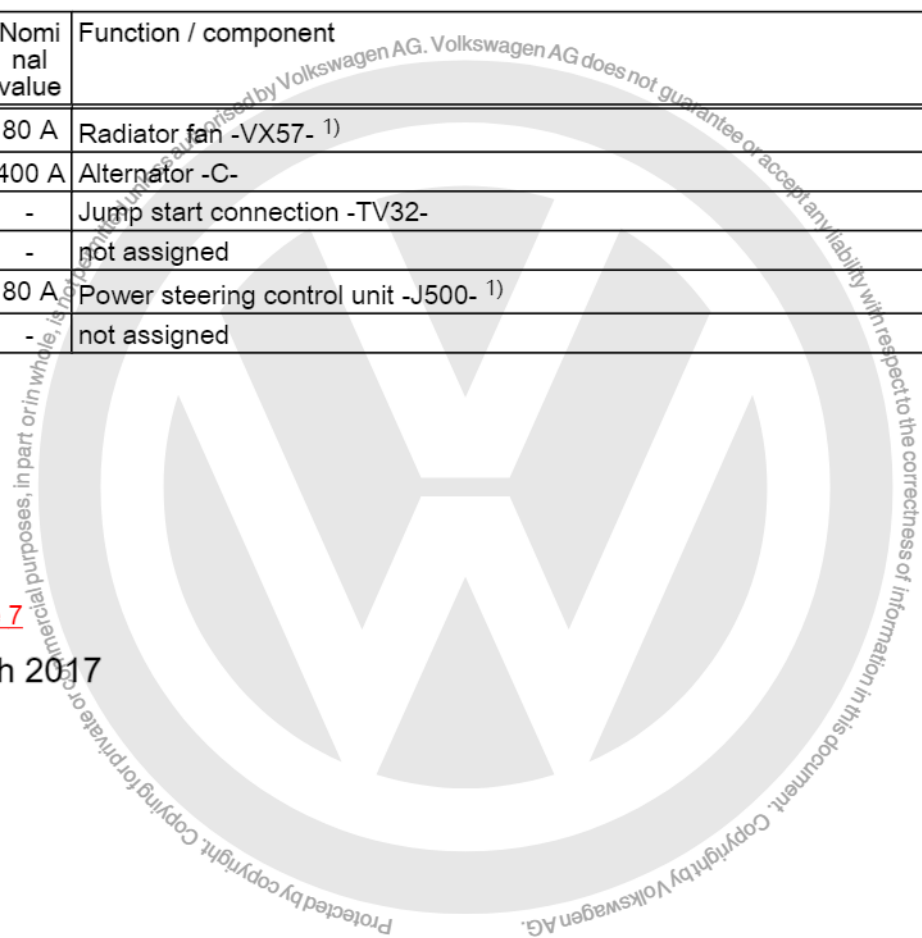
Slot	Current flow diagram designation	Nominal value	Function / component	Terminal
SBJ	Fuse J on fuse holder B -SBJ-	80 A	Radiator fan -VX57- ¹⁾	30
SBG	Fuse G on fuse holder B -SBG-	400 A	Alternator -C-	30
508	<u>508</u> Threaded connection (30), on E-box	-	Jump start connection -TV32-	30
SBE	Fuse E on fuse holder B -SBE-	-	not assigned	30
SBK	Fuse K on fuse holder B -SBK-	80 A	Power steering control unit -J500- ¹⁾	30
SBL	Fuse L on fuse holder B -SBL-	-	not assigned	30

Back to overview ⇒ [page 1](#)

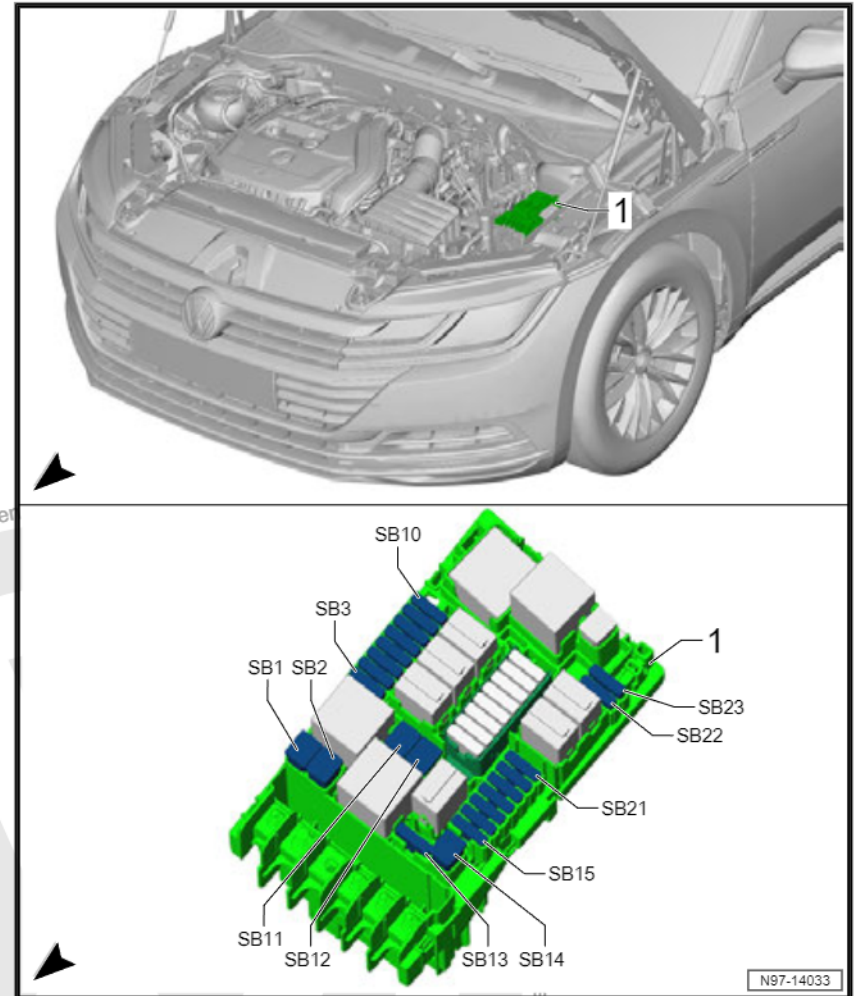
1.2 Fuse holder B -SB- , from March 2017

- ◆ ⇒ [“1.2.1 Fitting location of fuse holder B SB , from March 2017”, page 5](#)
- ◆ ⇒ [“1.2.2 Fuse assignment for fuse holder B SB , from March 2017”, page 7](#)

1.2.1 Fitting location of fuse holder B -SB- , from March 2017



1 - Fuse holder B -SB-



Fuse colours for J-Case fuse:

- ◆ 50 A - red
- ◆ 40 A - green
- ◆ 30 A - pink

Fuse colours for ATO flat fuse:

- ◆ 40 A - orange

- ◆ 30 A - light green
- ◆ 25 A - natural (white)
- ◆ 20 A - yellow
- ◆ 15 A - light blue
- ◆ 10 A - red
- ◆ 7.5 A - brown
- ◆ 5 A - light brown
- ◆ 1 A - black

Back to overview ⇒ [page 1](#)

1.2.2 Fuse assignment for fuse holder B -SB- , from March 2017

Slot	Current flow diagram designation	Nominal value	Function / component	Terminal
SB1	Fuse 1 on fuse holder B -SB1-	25 A	ABS control unit -J104-	30
SB2	Fuse 2 on fuse holder B -SB2-	40 A 60 A 6)	ABS control unit -J104- ◆ ABS hydraulic pump -V64-	30
SB3	Fuse 3 on fuse holder B -SB3-	15 A 1) 30 A 2)	Engine/motor control unit -J623-	87
SB4	Fuse 4 on fuse holder B -SB4-	5 A 2) 10 A 1)	Radiator fan -VX57- 4) High heat output relay -J360- Low heat output relay -J359- 2), 4) Valve for oil pressure control -N428- 1), 4) Turbocharger air recirculation valve -N249- 1), 4) Intake manifold flap valve -N316- 1), 4) Piston cooling jet control valve -N522- 1), 4) Oil level and oil temperature sender -G266- Turbine changeover valve -N529- 1), 4)	87
SB5	Fuse 5 on fuse holder B -SB5-	10 A	Fuel pressure regulating valve -N276- 2), 4)	87

Slot	Current flow diagram designation	Nominal value	Function / component	Terminal
			Fuel metering valve -N290- 2), 4) Engine component current supply relay -J757- 1), 4) Turbine changeover valve -N529- 2), 4)	
SB6	Fuse 6 on fuse holder B -SB6-	5 A	Brake light switch -F-	87
SB7	Fuse 7 on fuse holder B -SB7-	10 A ²⁾ 15 A ⁷⁾	Charge air cooling pump -V188- Coolant valve for gearbox -N488- Coolant shut-off valve -N82- 1), 4) Auxiliary pump for heating -V488- 4) Coolant valve for cylinder head -N489- 2), 4) Valve for oil pressure control -N428- 2), 4)	87
SB8	Fuse 8 on fuse holder B -SB8-	15 A	Lambda probe 1 before catalytic converter -GX10- 4) Lambda probe 1 after catalytic converter -GX7- 4) Control unit for NOx sender -GX30- 4) Control unit for NOx sender 2 -J881- 4)	87
SB9	Fuse 9 on fuse holder B -SB9-	5 A ²⁾ 10 A ¹⁾	Exhaust flap control unit -J883- Exhaust flap control unit 2 -J945- Automatic glow period control unit -J179- 2), 4) Heater element for crankcase breather -N79- Air mass meter -G70- Auxiliary pump for heating -V488- 4) Activated charcoal filter solenoid valve 1 -N80- Exhaust camshaft control valve 1 -N318- Camshaft control valve 1 -N205-	87
SB10	Fuse 10 on fuse holder B -SB10-	15 A ¹⁾ 20 A ²⁾	Fuel pump control unit -J538-	87
SB11	Fuse 11 on fuse holder B -SB11-	40 A ²⁾	Auxiliary air heater element -Z35-	87

Slot	Current flow diagram designation	Nominal value	Function / component	Terminal
SB12	Fuse 12 on fuse holder B -SB12-	40 A ²⁾	Auxiliary air heater element -Z35-	87
SB13	Fuse 13 on fuse holder B -SB13-	30 A	Auxiliary hydraulic pump 1 for gearbox oil -V475-	30
SB14	Fuse 14 on fuse holder B -SB14-	40 A	Heated windscreen relay -J47-	30
SB15	Fuse 15 on fuse holder B -SB15-	15 A	Horn relay -J413-	30
SB16	Fuse 16 on fuse holder B -SB16-	20 A ¹⁾	Engine component current supply relay -J757- ^{1), 4)}	30
SB17	Fuse 17 on fuse holder B -SB17-	7.5 A	Engine/motor control unit -J623- ABS control unit -J104- Heated windscreen relay -J47- ⁴⁾	30
SB18	Fuse 18 on fuse holder B -SB18-	5 A	Battery monitor control unit -J367- ⁵⁾ Data bus diagnostic interface -J533- ³⁾	30
SB19	Fuse 19 on fuse holder B -SB19-	30 A	Wiper motor control unit -J400- ⁴⁾	30
SB20	Fuse 20 on fuse holder B -SB20-	10 A	Alarm horn -H12-	30
SB21	Fuse 21 on fuse holder B -SB21-	30 A	Heated windscreen relay 2 -J611-	30
SB22	Fuse 22 on fuse holder B -SB22-	5 A	Engine/motor control unit -J623-	50
SB23	Fuse 23 on fuse holder B -SB23-	30 A	Starter -B-	50

1) For models with petrol engine

2) For models with diesel engine

3) For models with no start/stop system

4) According to equipment

5) For models with battery in engine compartment

6) For models with pedestrian protection system

7) For models with 2.0l bi-turbo engine

Back to overview ⇒ [page 1](#)

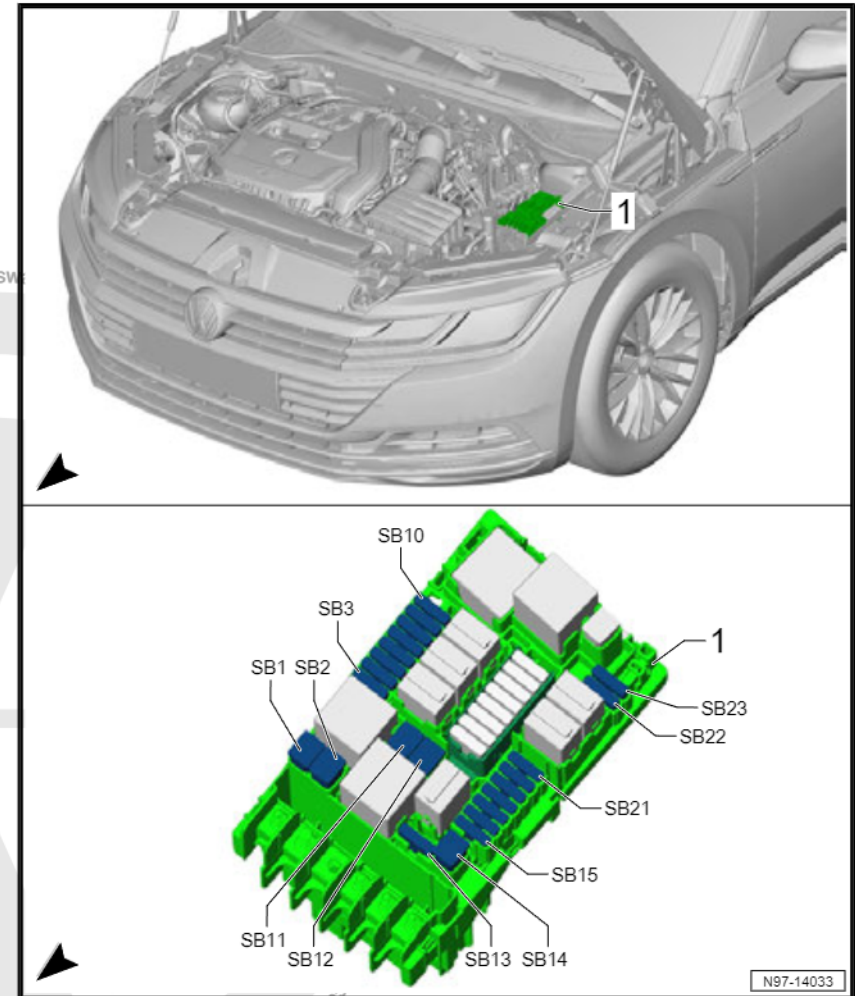
1.3 Fuse holder B -SB- , from November 2017

◆ ⇒ ["1.3.1 Fitting location of fuse holder B SB , from November 2017"](#) , page 10

◆ ⇒ [“1.3.2 Fuse assignment for fuse holder B SB , from November 2017”, page 11](#)

1.3.1 Fitting location of fuse holder B -SB- , from November 2017

1 - Fuse holder B -SB-



Fuse colours for J-Case fuse:

- ◆ 50 A - red
- ◆ 40 A - green

- ◆ 30 A - pink

Fuse colours for ATO flat fuse:

- ◆ 40 A - orange
- ◆ 30 A - light green
- ◆ 25 A - natural (white)
- ◆ 20 A - yellow
- ◆ 15 A - light blue
- ◆ 10 A - red
- ◆ 7.5 A - brown
- ◆ 5 A - light brown
- ◆ 1 A - black

Back to overview ⇒ [page 1](#)

1.3.2 Fuse assignment for fuse holder B -SB- , from November 2017

Slot	Current flow diagram designation	Nominal value	Function / component	Terminal
SB1	Fuse 1 on fuse holder B -SB1-	25 A	ABS control unit -J104-	30
SB2	Fuse 2 on fuse holder B -SB2-	40 A 60 A 6)	ABS control unit -J104- ◆ ABS hydraulic pump -V64-	30
SB3	Fuse 3 on fuse holder B -SB3-	15 A 1) 30 A 2)	Engine/motor control unit -J623-	87
SB4	Fuse 4 on fuse holder B -SB4-	5 A 2) 10 A 1)	Radiator fan -VX57- 4) High heat output relay -J360- Low heat output relay -J359- 2), 4) Valve for oil pressure control -N428- 1), 4) Turbocharger air recirculation valve -N249- 1), 4) Intake manifold flap valve -N316- 1), 4)	87

Slot	Current flow diagram designation	Nominal value	Function / component	Terminal
			Piston cooling jet control valve -N522- 1), 4) Oil level and oil temperature sender -G266- Turbine changeover valve -N529- 1), 4)	
SB5	Fuse 5 on fuse holder B -SB5-	10 A	Fuel pressure regulating valve -N276- 2), 4) Fuel metering valve -N290- 2), 4) Engine component current supply relay -J757- 1), 4) Turbine changeover valve -N529- 2), 4)	87
SB6	Fuse 6 on fuse holder B -SB6-	7.5 A	Brake light switch -F-	87
SB7	Fuse 7 on fuse holder B -SB7-	10 A ²⁾ 15 A ⁷⁾	Charge air cooling pump -V188- Coolant valve for gearbox -N488- Coolant shut-off valve -N82- 1), 4) Auxiliary pump for heating -V488- 4) Coolant valve for cylinder head -N489- 2), 4) Valve for oil pressure control -N428- 2), 4) Control unit for fuel tank leak detection -J909- 8)	87
SB8	Fuse 8 on fuse holder B -SB8-	15 A	Lambda probe 1 before catalytic converter -GX10- 4) Lambda probe 1 after catalytic converter -GX7- 4) Control unit for NOx sender -GX30- 4) Control unit for NOx sender 2 -J881- 4)	87
SB9	Fuse 9 on fuse holder B -SB9-	5 A ²⁾ 10 A ¹⁾	Exhaust flap control unit -J883- Exhaust flap control unit 2 -J945- Automatic glow period control unit -J179- 2), 4) Heater element for crankcase breather -N79- Air mass meter -G70- Auxiliary pump for heating -V488- 4) Activated charcoal filter solenoid valve 1 -N80- Exhaust camshaft control valve 1 -N318- Camshaft control valve 1 -N205-	87

Slot	Current flow diagram designation	Nominal value	Function / component	Terminal
SB10	Fuse 10 on fuse holder B -SB10-	15 A ¹⁾ 20 A ²⁾	Fuel pump control unit -J538-	87
SB11	Fuse 11 on fuse holder B -SB11-	40 A ²⁾ 50 A ⁸⁾	Auxiliary air heater element -Z35-	87
SB12	Fuse 12 on fuse holder B -SB12-	40 A ²⁾	Auxiliary air heater element -Z35-	87
SB13	Fuse 13 on fuse holder B -SB13-	30 A	Auxiliary hydraulic pump 1 for gearbox oil -V475-	30
SB14	Fuse 14 on fuse holder B -SB14-	40 A	Heated windscreen relay -J47-	30
SB15	Fuse 15 on fuse holder B -SB15-	15 A	Horn relay -J413-	30
SB16	Fuse 16 on fuse holder B -SB16-	20 A ¹⁾	Engine component current supply relay -J757- ^{1), 4)}	30
SB17	Fuse 17 on fuse holder B -SB17-	7.5 A	Engine/motor control unit -J623- ABS control unit -J104- Heated windscreen relay -J47- ⁴⁾	30
SB18	Fuse 18 on fuse holder B -SB18-	7.5 A	Battery monitor control unit -J367- ⁵⁾ Data bus diagnostic interface -J533- ³⁾	30
SB19	Fuse 19 on fuse holder B -SB19-	30 A	Wiper motor control unit -J400- ⁴⁾	30
SB20	Fuse 20 on fuse holder B -SB20-	10 A	Alarm horn -H12-	30
SB21	Fuse 21 on fuse holder B -SB21-	30 A	Heated windscreen relay 2 -J611-	30
SB22	Fuse 22 on fuse holder B -SB22-	7.5 A	Engine/motor control unit -J623-	50
SB23	Fuse 23 on fuse holder B -SB23-	30 A	Starter -B-	50

1) For models with petrol engine

2) For models with diesel engine

3) For models with no start/stop system

4) According to equipment

5) For models with battery in engine compartment

6) For models with pedestrian protection system

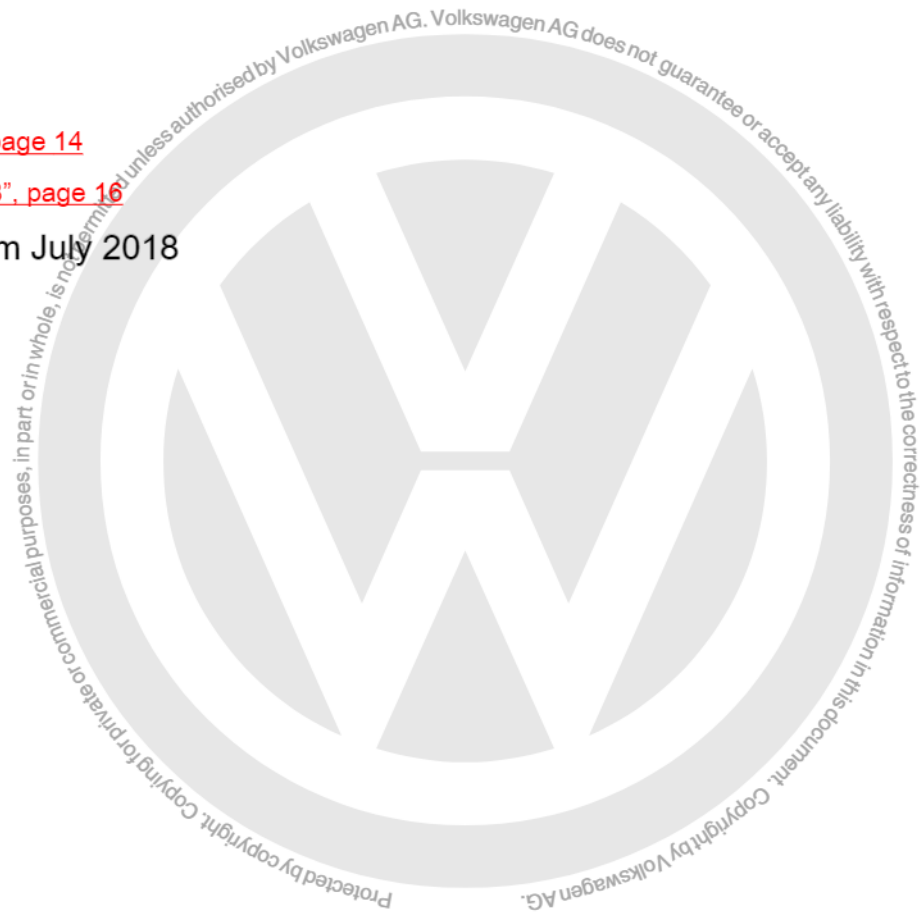
- 7) For models with 2.0l bi-turbo engine
- 8) For American markets

Back to overview ⇒ [page 1](#)

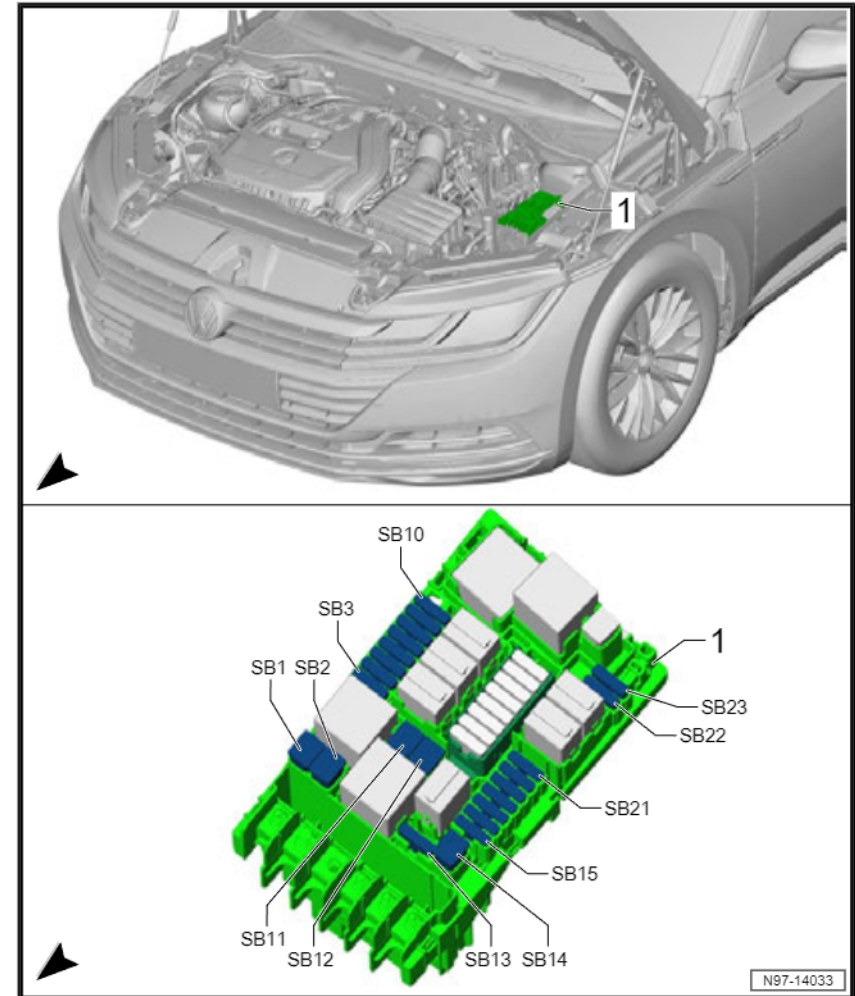
1.4 Fuse holder B -SB- , from July 2018

- ◆ ⇒ [“1.4.1 Fitting location of fuse holder B SB , from July 2018”, page 14](#)
- ◆ ⇒ [“1.4.2 Fuse assignment for fuse holder B SB , from July 2018”, page 16](#)

1.4.1 Fitting location of fuse holder B -SB- , from July 2018



1 - Fuse holder B -SB-



Fuse colours for J-Case fuse:

- ◆ 50 A - red
- ◆ 40 A - green
- ◆ 30 A - pink

Fuse colours for ATO flat fuse:

- ◆ 40 A - orange

- ◆ 30 A - light green
- ◆ 25 A - natural (white)
- ◆ 20 A - yellow
- ◆ 15 A - light blue
- ◆ 10 A - red
- ◆ 7.5 A - brown
- ◆ 5 A - light brown
- ◆ 1 A - black

Back to overview ⇒ [page 1](#)

1.4.2 Fuse assignment for fuse holder B -SB- , from July 2018

Slot	Current flow diagram designation	Nominal value	Function / component	Terminal
SB1	Fuse 1 on fuse holder B -SB1-	25 A	ABS control unit -J104-	30
SB2	Fuse 2 on fuse holder B -SB2-	40 A 60 A 6)	ABS control unit -J104- ◆ ABS hydraulic pump -V64-	30
SB3	Fuse 3 on fuse holder B -SB3-	15 A 1) 30 A 2)	Engine/motor control unit -J623-	87
SB4	Fuse 4 on fuse holder B -SB4-	7.5 A 2) 10 A 1)	Radiator fan -VX57- 4) High heat output relay -J360- Low heat output relay -J359- 2), 4) Valve for oil pressure control -N428- 1), 4) Turbocharger air recirculation valve -N249- 1), 4) Intake manifold flap valve -N316- 1), 4) Piston cooling jet control valve -N522- 1), 4) Oil level and oil temperature sender -G266- Turbine changeover valve -N529- 1), 4)	87

Slot	Current flow diagram designation	Nominal value	Function / component	Terminal
			Engine component current supply relay -J757- 1), 4)	
SB5	Fuse 5 on fuse holder B -SB5-	10 A	Fuel pressure regulating valve -N276- 2), 4) Fuel metering valve -N290- 2), 4) Turbine changeover valve -N529- 2), 4)	87
SB6	Fuse 6 on fuse holder B -SB6-	7.5 A	Brake light switch -F-	87
SB7	Fuse 7 on fuse holder B -SB7-	7.5 A ⁹⁾ 10 A ²⁾ 15 A	Charge air cooling pump -V188- Coolant valve for gearbox -N488- Coolant shut-off valve -N82- 1), 4) Auxiliary pump for heating -V488- 4) Coolant valve for cylinder head -N489- 2), 4) Valve for oil pressure control -N428- 2), 4) Control unit for fuel tank leak detection -J909- 8)	87
SB8	Fuse 8 on fuse holder B -SB8-	15 A	Lambda probe 1 before catalytic converter -GX10- 4) Lambda probe 1 after catalytic converter -GX7- 4) Control unit for NOx sender -GX30- 4) Control unit for NOx sender 2 -J881- 4)	87
SB9	Fuse 9 on fuse holder B -SB9-	10 A	Exhaust flap control unit -J883- Exhaust flap control unit 2 -J945- Automatic glow period control unit -J179- 2), 4) Heater element for crankcase breather -N79- Air mass meter -G70- Auxiliary pump for heating -V488- 4) Activated charcoal filter solenoid valve 1 -N80- Exhaust camshaft control valve 1 -N318- Camshaft control valve 1 -N205-	87
SB10	Fuse 10 on fuse holder B -SB10-	15 A ¹⁾ 20 A ²⁾	Fuel pump control unit -J538-	87

Slot	Current flow diagram designation	Nominal value	Function / component	Terminal
SB11	Fuse 11 on fuse holder B -SB11-	40 A ²⁾	Auxiliary air heater element -Z35-	87
SB12	Fuse 12 on fuse holder B -SB12-	40 A ²⁾	Auxiliary air heater element -Z35-	87
SB13	Fuse 13 on fuse holder B -SB13-	30 A	Auxiliary hydraulic pump 1 for gearbox oil -V475-	30
SB14	Fuse 14 on fuse holder B -SB14-	40 A	Heated windscreen relay -J47-	30
SB15	Fuse 15 on fuse holder B -SB15-	15 A	Horn relay -J413-	30
SB16	Fuse 16 on fuse holder B -SB16-	20 A ¹⁾	Engine component current supply relay -J757- ^{1), 4)}	30
SB17	Fuse 17 on fuse holder B -SB17-	7.5 A	Engine/motor control unit -J623- ABS control unit -J104- Heated windscreen relay -J47- ⁴⁾	30
SB18	Fuse 18 on fuse holder B -SB18-	7.5 A	Battery monitor control unit -J367- ⁵⁾ Data bus diagnostic interface -J533- ³⁾	30
SB19	Fuse 19 on fuse holder B -SB19-	30 A	Wiper motor control unit -J400- ⁴⁾	30
SB20	not assigned	-		-
SB21	Fuse 21 on fuse holder B -SB21-	15 A	Mechatronic unit for dual clutch gearbox -J743-	30
SB22	Fuse 22 on fuse holder B -SB22-	5 A	Engine/motor control unit -J623-	50
SB23	Fuse 23 on fuse holder B -SB23-	30 A	Starter -B-	50

1) For models with petrol engine

2) For models with diesel engine

3) For models with no start/stop system

4) According to equipment

5) For models with battery in engine compartment

6) For models with pedestrian protection system

7) For models with 2.0l bi-turbo engine

8) For American markets

9) For 2.0l petrol engine

Back to overview ⇒ [page 1](#)

1.5 Fuse holder C -SC- , from March 2017

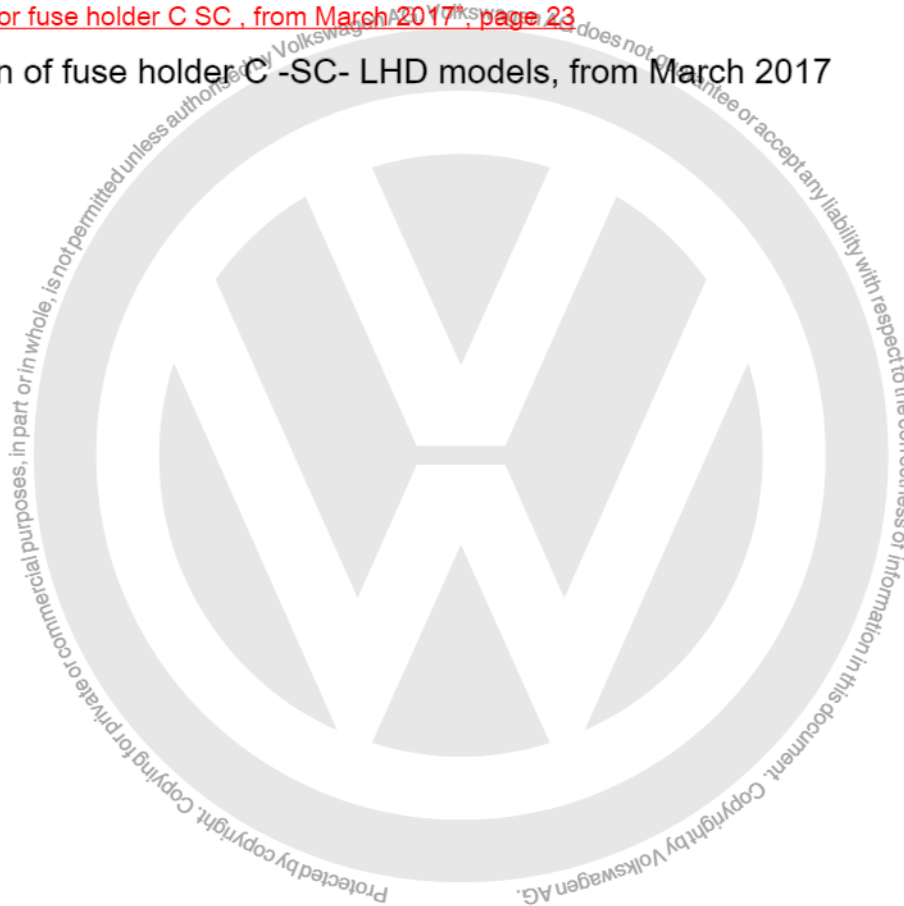
- ◆ ⇒ [“1.5.1 Fitting location of fuse holder C SC LHD models, from March 2017”, page 19](#)
- ◆ ⇒ [“1.5.2 Fitting location of fuse holder C SC RHD models, from March 2017”, page 21](#)
- ◆ ⇒ [“1.5.3 Fuse assignment for fuse holder C SC , from March 2017”, page 23](#)

1.5.1 Fitting location of fuse holder C -SC- LHD models, from March 2017



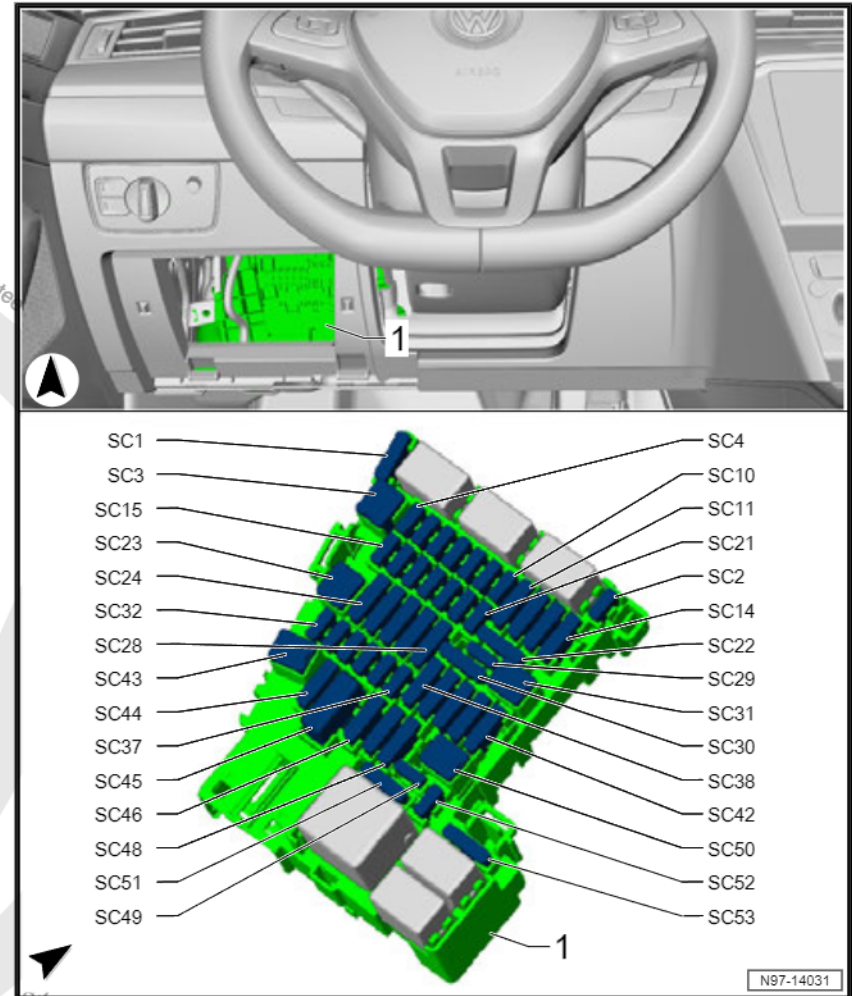
Note

For left-hand drive models



1 - Fuse holder C -SC-

Protected by copyright. Copying for private or commercial purposes, in part or in whole, is not permitted unless authorised by Volkswagen AG. Volkswagen AG does not guarantee



Fuse colours for J-Case fuse:

- ◆ 50 A - red
- ◆ 40 A - green
- ◆ 30 A - pink

Fuse colours for ATO flat fuse:

- ◆ 40 A - orange

- ◆ 30 A - light green
- ◆ 25 A - natural (white)
- ◆ 20 A - yellow
- ◆ 15 A - light blue
- ◆ 10 A - red
- ◆ 7.5 A - brown
- ◆ 5 A - light brown
- ◆ 1 A - black

Fuse colours, for mini fuses:

- ◆ 20 A - yellow
- ◆ 15 A - light blue
- ◆ 10 A - red
- ◆ 7.5 A - brown
- ◆ 5 A - light brown
- ◆ 1 A - black

Back to overview ⇒ [page 1](#)

1.5.2 Fitting location of fuse holder C -SC- RHD models, from March 2017

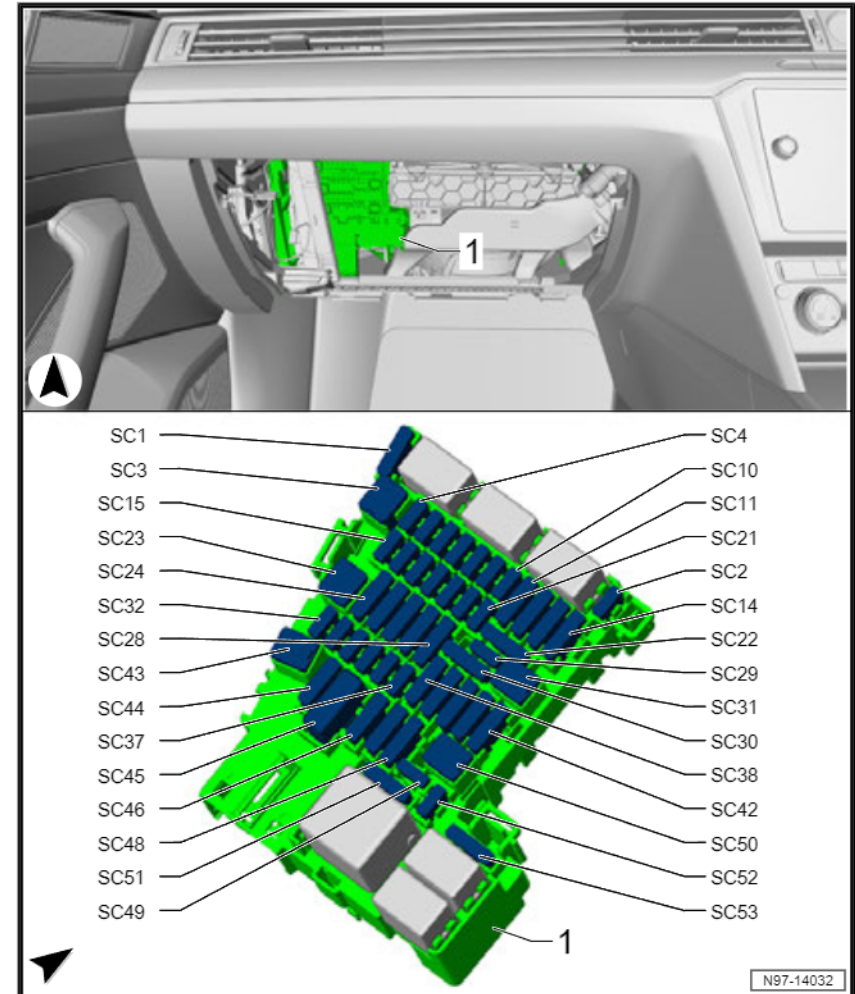


Note

For right-hand drive models



1 - Fuse holder C -SC-



Fuse colours for J-Case fuse:

- ◆ 50 A - red
- ◆ 40 A - green
- ◆ 30 A - pink

Fuse colours for ATO flat fuse:

- ◆ 40 A - orange

- ◆ 30 A - light green
- ◆ 25 A - natural (white)
- ◆ 20 A - yellow
- ◆ 15 A - light blue
- ◆ 10 A - red
- ◆ 7.5 A - brown
- ◆ 5 A - light brown
- ◆ 1 A - black

Fuse colours, for mini fuses:

- ◆ 20 A - yellow
- ◆ 15 A - light blue
- ◆ 10 A - red
- ◆ 7.5 A - brown
- ◆ 5 A - light brown
- ◆ 1 A - black

[Back to overview ⇒ page 1](#)

1.5.3 Fuse assignment for fuse holder C -SC- , from March 2017

 Note

The fuse SC40 is supplied via terminal 15 from the factory and can be supplied via terminal 30 by reconnecting. If a consumer is connected to the electric socket or to the cigarette lighter, ensure that the consumer is disconnected from the voltage supply when the engine is switched off to prevent the drive battery being discharged.

Slot	Current flow diagram designation	Nominal value	Function / component	Terminal
SC1	Fuse 1 on fuse holder C -SC1-	30 A	Control unit for reducing agent heater -J891-	30
SC2	Fuse 2 on fuse holder C -SC2-	10 A	Steering column electronics control unit -J527-	30
SC3	not assigned	-		-
SC4	not assigned	-		-

Slot	Current flow diagram designation	Nominal value	Function / component	Terminal
SC5	Fuse 5 on fuse holder C -SC5-	5 A	Data bus diagnostic interface -J533-	30
SC6	Fuse 6 on fuse holder C -SC6-	5 A	Selector lever -E313-	30
SC7	Fuse 7 on fuse holder C -SC7-	10 A	Heater and air conditioning controls -EX21- Operating and display unit for rear air conditioning system -E265- Remote control receiver for auxiliary coolant heater -R149- Heated rear window relay -J9- Analogue clock -Y- Tyre Pressure Monitoring System control unit -J502-	30
SC8	Fuse 8 on fuse holder C -SC8-	10 A	Rotary light switch -EX1- Electromechanical parking brake button -E538- Rain and light sensor -G397- Diagnostic connection -U31- Anti-theft alarm sensor -G578- Left background lighting LED -L181- Right background lighting LED -L182- Front interior light -WX1- Anti-theft alarm sensor -G578- Control unit for cornering light and headlight range control -J745- Light for front left door contour lighting -L251- Light for rear left door contour lighting -L253- Light for front right door contour lighting -L252- Light for rear right door contour lighting -L254-	30
SC9	Fuse 9 on fuse holder C -SC9-	5 A	Steering column electronics control unit -J527-	30
SC10	Fuse 10 on fuse holder C -SC10-	7.5 A	Display unit for front information display and operating unit control unit -J685- Control unit for Head-up Display -J898-	30
SC11	Fuse 11 on fuse holder C -SC11-	40 A	Onboard supply control unit -J519-	30
SC12	Fuse 12 on fuse holder C -SC12-	20 A	Control unit 1 for information electronics -J794- Control unit for navigation system -J856- ¹⁾	30
SC13	Fuse 13 on fuse holder C -SC13-	25 A	Front left seat belt -NX10-	30
SC14	Fuse 14 on fuse holder C -SC14-	40 A	Fresh air blower control unit -J126-	30
SC15	Fuse 15 on fuse holder C -SC15-	10 A	Control unit for electronic steering column lock -J764-	30
SC16	Fuse 16 on fuse holder C -SC16-	7.5 A	Two-way signal amplifier for mobile telephone/data services -J984-	30

Slot	Current flow diagram designation	Nominal value	Function / component	Terminal
			USB charging socket 1 -U37- Storage compartment with interface for mobile telephone -R265- USB hub -R293-	
SC17	Fuse 17 on fuse holder C -SC17-	7.5 A	Dash panel insert -KX2- Emergency call module control unit and communication unit -J949-	30
SC18	Fuse 18 on fuse holder C -SC18-	7.5 A	Control unit for overhead view camera -J928- Rear lid handle -EX37- Rear overhead view camera -R246-	30
SC19	Fuse 19 on fuse holder C -SC19-	7.5 A	Interface for entry and start system -J965-	30
SC20	Fuse 20 on fuse holder C -SC20-	7.5 A	Relay for reducing agent metering system -J963-	30
SC21	Fuse 21 on fuse holder C -SC21-	15 A	All-wheel drive control unit -J492-	30
SC22	Fuse 22 on fuse holder C -SC22-	15 A	Trailer detector control unit -J345-	30
SC23	Fuse 24 on fuse holder C -SC24-	30 A	Sliding sunroof adjustment control unit -J245-	30
SC24	Fuse 23 on fuse holder C -SC23-	40 A	Onboard supply control unit -J519-	30
SC25	Fuse 25 on fuse holder C -SC25-	30 A	Driver door control unit -J386- Rear driver side door control unit -J926-	30 30
SC26	Fuse 26 on fuse holder C -SC26-	30 A	Onboard supply control unit -J519-	30
SC27	Fuse 27 on fuse holder C -SC27-	30 A	Onboard supply control unit -J519-	-
SC28	Fuse 28 on fuse holder C -SC28-	25 A	Trailer detector control unit -J345-	30
SC29	not assigned	-		-
SC30	not assigned	-		-
SC31	not assigned	-		-
SC32	Fuse 32 on fuse holder C -SC32-	10 A	Front camera for driver assist systems -R242- Adaptive cruise control unit -J428- Parking aid control unit -J446- Lane change assist control unit -J769- Lane change assist control unit 2 -J770-	15
SC33	Fuse 33 on fuse holder C -SC33-	5 A	Airbag control unit -J234-	15
SC34	Fuse 34 on fuse holder C -SC34-	7.5 A	Interior mirror -EX5- Relay for power sockets -J807- Reversing light switch -F4- Pressure sender for refrigerant circuit -G805-	15

Slot	Current flow diagram designation	Nominal value	Function / component	Terminal
			Air quality sensor -G238- Centre switch module in dash panel -EX22- Switch module 1 in centre console -EX23- Control unit for structure-borne sound -J869- Electromechanical parking brake button -E538-	
SC35	Fuse 35 on fuse holder C -SC35-	10 A	Diagnostic connection -U31-	15
SC36	Fuse 36 on fuse holder C -SC36-	5 A	Front right headlight -MX2-	15
SC37	Fuse 37 on fuse holder C -SC37-	5 A	Front left headlight -MX1-	15
SC38	Fuse 38 on fuse holder C -SC38-	25 A	Trailer detector control unit -J345-	30
SC39	Fuse 39 on fuse holder C -SC39-	30 A	Front passenger door control unit -J387- Rear passenger side door control unit -J927-	30
SC40	Fuse 40 on fuse holder C -SC40-	20 A	12 V socket -U5- 12 V socket 2 -U18- 12 V socket 3 -U19-	15
SC41	Fuse 41 on fuse holder C -SC41-	25 A	Front right seat belt -NX11-	30
SC42	Fuse 42 on fuse holder C -SC42-	40 A	Onboard supply control unit -J519-	30
SC43	Fuse 43 on fuse holder C -SC43-	40 A	Digital sound package control unit -J525-	30
SC44	Fuse 44 on fuse holder C -SC44-	15 A	Trailer detector control unit -J345-	30
SC45	Fuse 45 on fuse holder C -SC45-	15 A	Driver seat adjustment control unit -J810- Front left seat cushion fan 1 -V514- Front left seat backrest fan 1 -V512-	30
SC46	Fuse 46 on fuse holder C -SC46-	30 A	DC/AC converter with socket, 12 V - 230 V -U13-	30
SC47	not assigned	-		-
SC48	not assigned	-		-
SC49	Fuse 49 on fuse holder C -SC49-	5 A	Clutch position sender -G476- Starter relay 1 -J906- Starter relay 2 -J907-	15
SC50	Fuse 50 on fuse holder C -SC50-	40 A	Rear lid control unit -J605-	30
SC51	Fuse 51 on fuse holder C -SC51-	25 A	Operating and display unit for rear air conditioning system -E265-	30
SC52	Fuse 52 on fuse holder C -SC52-	15 A	Electronically controlled damping control unit -J250-	30
SC53	Fuse 53 on fuse holder C -SC53-	30 A	Heated rear window relay -J9-	15

1) For models with equipment for Korea

Back to overview ⇒ [page 1](#)

1.6 Fuse holder C -SC- , from November 2017

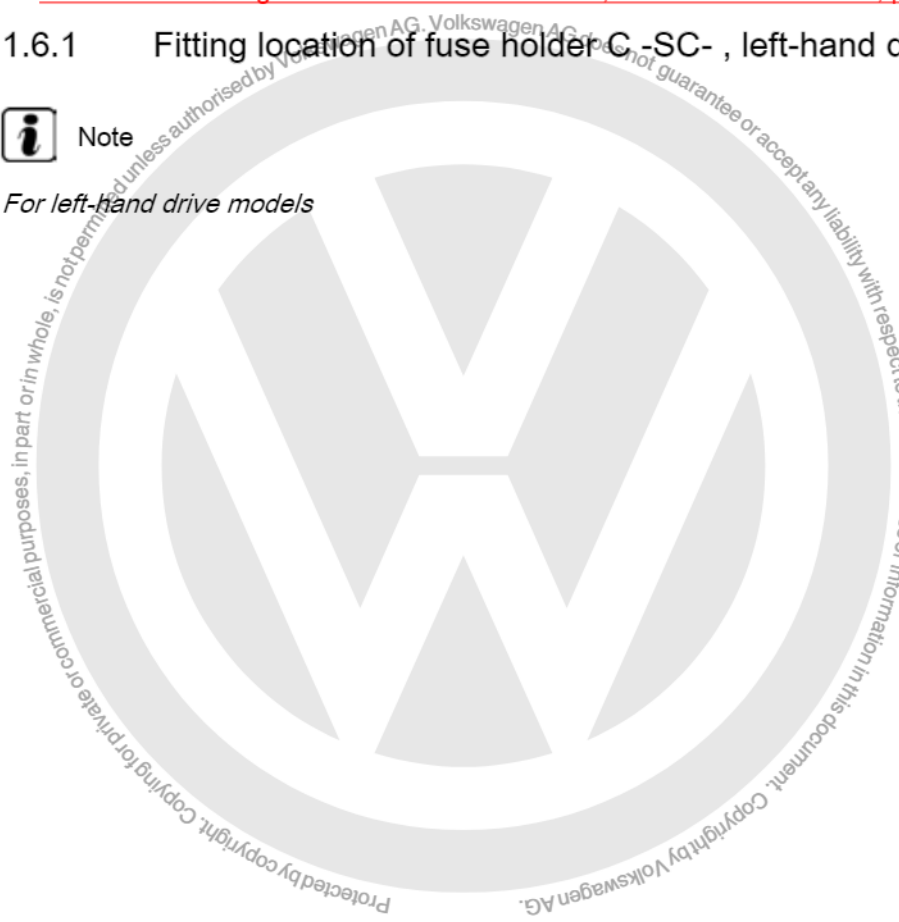
- ◆ ⇒ [“1.6.1 Fitting location of fuse holder C SC , left-hand drive models, from November 2017”, page 27](#)
- ◆ ⇒ [“1.6.2 Fitting location of fuse holder C SC , right-hand drive models, from November 2017”, page 29](#)
- ◆ ⇒ [“1.6.3 Fuse assignment for fuse holder C SC , from November 2017”, page 31](#)

1.6.1 Fitting location of fuse holder C -SC- , left-hand drive models, from November 2017

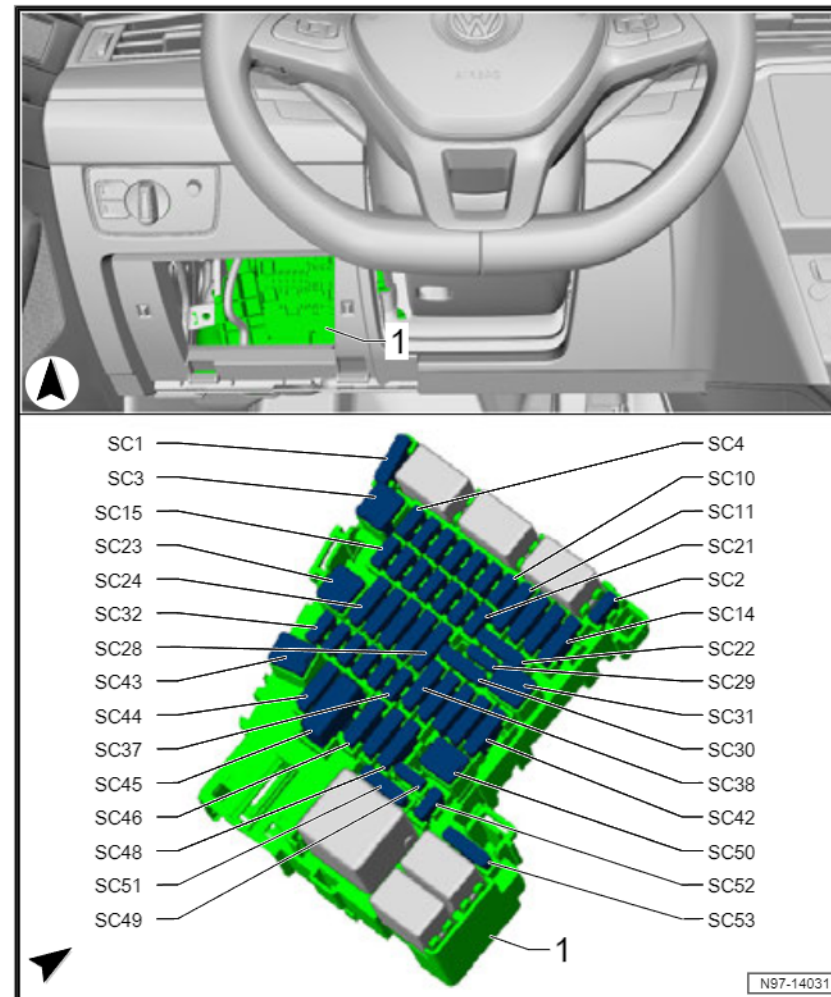


Note

For left-hand drive models



1 - Fuse holder C -SC-

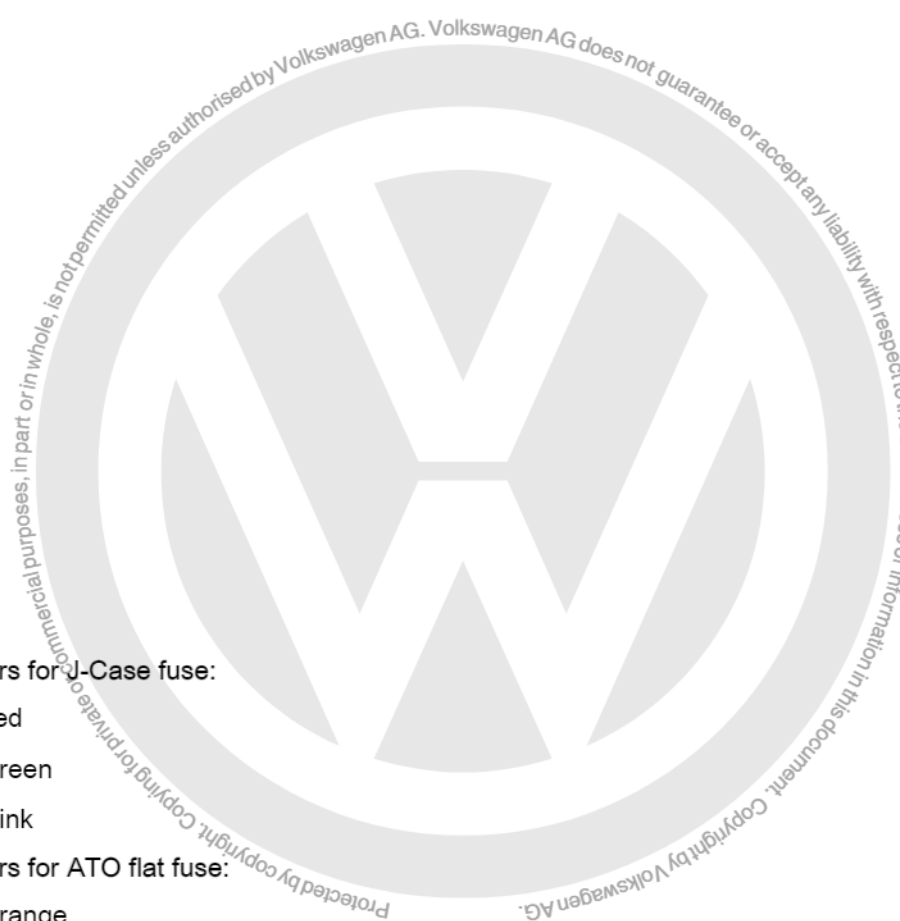


Fuse colours for J-Case fuse:

- ◆ 50 A - red
- ◆ 40 A - green
- ◆ 30 A - pink

Fuse colours for ATO flat fuse:

- ◆ 40 A - orange



- ◆ 30 A - light green
- ◆ 25 A - natural (white)
- ◆ 20 A - yellow
- ◆ 15 A - light blue
- ◆ 10 A - red
- ◆ 7.5 A - brown
- ◆ 5 A - light brown
- ◆ 1 A - black

Fuse colours, for mini fuses:

- ◆ 20 A - yellow
- ◆ 15 A - light blue
- ◆ 10 A - red
- ◆ 7.5 A - brown
- ◆ 5 A - light brown
- ◆ 1 A - black

Back to overview ⇒ [page 1](#)

1.6.2 Fitting location of fuse holder C -SC- , right-hand drive models, from November 2017

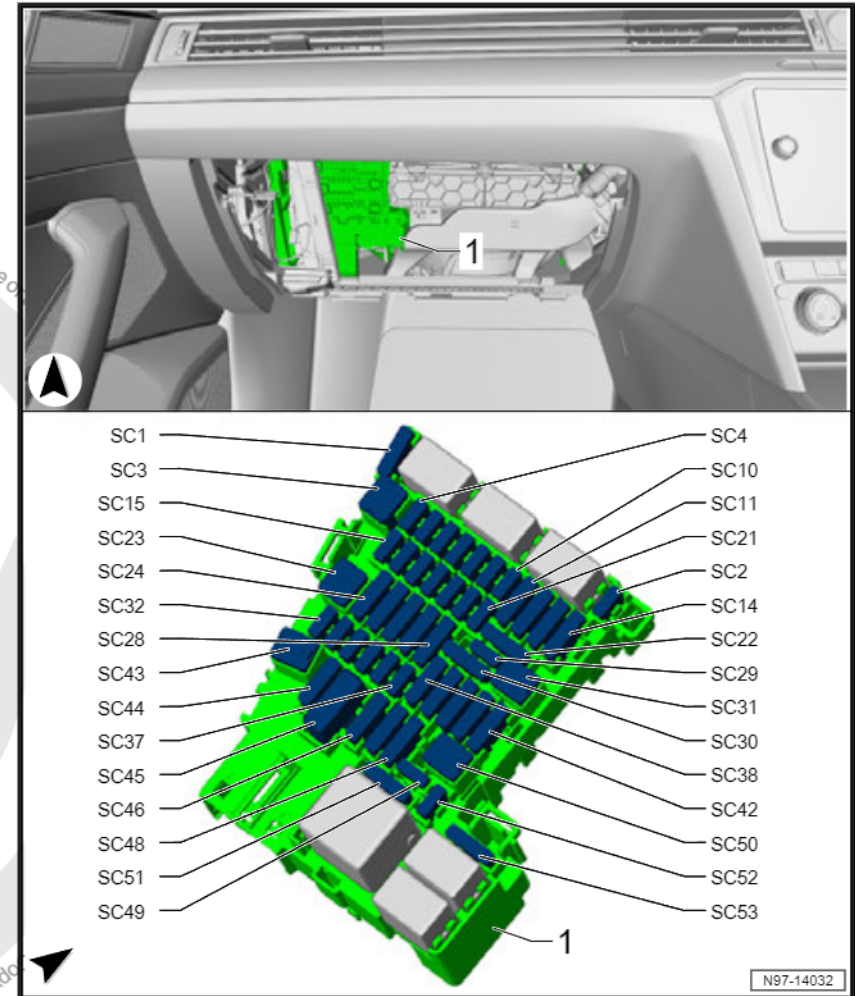


Note

For right-hand drive models



1 - Fuse holder C -SC-



Fuse colours for J-Case fuse:

- ◆ 50 A - red
- ◆ 40 A - green
- ◆ 30 A - pink

Fuse colours for ATO flat fuse:

- ◆ 40 A - orange

- ◆ 30 A - light green
- ◆ 25 A - natural (white)
- ◆ 20 A - yellow
- ◆ 15 A - light blue
- ◆ 10 A - red
- ◆ 7.5 A - brown
- ◆ 5 A - light brown
- ◆ 1 A - black

Fuse colours, for mini fuses:

- ◆ 20 A - yellow
- ◆ 15 A - light blue
- ◆ 10 A - red
- ◆ 7.5 A - brown
- ◆ 5 A - light brown
- ◆ 1 A - black

Back to overview ⇒ [page 1](#)

1.6.3 Fuse assignment for fuse holder C -SC- , from November 2017



Note

The fuse SC40 is supplied via terminal 15 from the factory and can be supplied via terminal 30 by reconnecting. If a consumer is connected to the electric socket or to the cigarette lighter, ensure that the consumer is disconnected from the voltage supply when the engine is switched off to prevent the drive battery being discharged.

Slot	Current flow diagram designation	Nominal value	Function / component	Terminal
SC1	Fuse 1 on fuse holder C -SC1-	20 A	Control unit for reducing agent heater -J891-	30
SC2	Fuse 2 on fuse holder C -SC2-	10 A	Steering column electronics control unit -J527-	30
SC3	not assigned	-		-

Slot	Current flow diagram designation	Nominal value	Function / component	Terminal
SC4	Fuse 4 on fuse holder C -SC4-	10 A	Onboard supply control unit -J519- ³⁾	30
SC5	Fuse 5 on fuse holder C -SC5-	5 A 7.5 A ³⁾	Data bus diagnostic interface -J533-	30
SC6	Fuse 6 on fuse holder C -SC6-	5 A	Selector lever -E313-	30
SC7	Fuse 7 on fuse holder C -SC7-	10 A	Heater and air conditioning controls -EX21- Operating and display unit for rear air conditioning system -E265- Remote control receiver for auxiliary coolant heater -R149- Heated rear window relay -J9- Analogue clock -Y- Tyre Pressure Monitoring System control unit -J502-	30
SC8	Fuse 8 on fuse holder C -SC8-	7.5 A	Rotary light switch -EX1- Electromechanical parking brake button -E538- Rain and light sensor -G397- Diagnostic connection -U31- Anti-theft alarm sensor -G578- Left background lighting LED -L181- Right background lighting LED -L182- Front interior light -WX1- Anti-theft alarm sensor -G578- Control unit for cornering light and headlight range control -J745- Light for front left door contour lighting -L251- Light for rear left door contour lighting -L253- Light for front right door contour lighting -L252- Light for rear right door contour lighting -L254-	30
SC9	Fuse 9 on fuse holder C -SC9-	7.5 A	Steering column electronics control unit -J527-	30
SC10	Fuse 10 on fuse holder C -SC10-	7.5 A	Display unit for front information display and operating unit control unit -J685- Control unit for Head-up Display -J898-	30
SC11	Fuse 11 on fuse holder C -SC11-	40 A	Onboard supply control unit -J519-	30
SC12	Fuse 12 on fuse holder C -SC12-	20 A	Control unit 1 for information electronics -J794- Control unit for navigation system -J856- ¹⁾	30
SC13	Fuse 13 on fuse holder C -SC13-	25 A	Front left seat belt -NX10-	30
SC14	Fuse 14 on fuse holder C -SC14-	40 A	Fresh air blower control unit -J126-	30

Slot	Current flow diagram designation	Nominal value	Function / component	Terminal
SC15	Fuse 15 on fuse holder C -SC15-	10 A	Control unit for electronic steering column lock -J764-	30
SC16	Fuse 16 on fuse holder C -SC16-	7.5 A	Two-way signal amplifier for mobile telephone/data services -J984- USB charging socket 1 -U37- Storage compartment with interface for mobile telephone -R265- USB hub -R293-	30
SC17	Fuse 17 on fuse holder C -SC17-	7.5 A	Dash panel insert -KX2- Emergency call module control unit and communication unit -J949-	30
SC18	Fuse 18 on fuse holder C -SC18-	7.5 A	Control unit for overhead view camera -J928- Rear lid handle -EX37- Rear overhead view camera -R246-	30
SC19	Fuse 19 on fuse holder C -SC19-	7.5 A	Interface for entry and start system -J965-	30
SC20	Fuse 20 on fuse holder C -SC20-	7.5 A 2) 10 A 2)	Relay for reducing agent metering system -J963-	30
SC21	Fuse 21 on fuse holder C -SC21-	15 A	All-wheel drive control unit -J492-	30
SC22	Fuse 22 on fuse holder C -SC22-	15 A	Trailer detector control unit -J345-	30
SC23	Fuse 24 on fuse holder C -SC24-	30 A	Sliding sunroof adjustment control unit -J245-	30
SC24	Fuse 23 on fuse holder C -SC23-	40 A	Onboard supply control unit -J519-	30
SC25	Fuse 25 on fuse holder C -SC25-	30 A	Driver door control unit -J386- Rear driver side door control unit -J926-	30 30
SC26	Fuse 26 on fuse holder C -SC26-	30 A	Onboard supply control unit -J519-	30
SC27	Fuse 27 on fuse holder C -SC27-	30 A	Onboard supply control unit -J519-	-
SC28	Fuse 28 on fuse holder C -SC28-	25 A	Trailer detector control unit -J345-	30
SC29	not assigned	-		-
SC30	Fuse 30 on fuse holder C -SC30-	10 A 3)	Remote starting system relay -J471- 3)	30
SC31	not assigned	-		-
SC32	Fuse 32 on fuse holder C -SC32-	10 A	Front camera for driver assist systems -R242- Adaptive cruise control unit -J428- Parking aid control unit -J446- Lane change assist control unit -J769- Lane change assist control unit 2 -J770-	15

Slot	Current flow diagram designation	Nominal value	Function / component	Terminal
SC33	Fuse 33 on fuse holder C -SC33-	7.5 A	Airbag control unit -J234-	15
SC34	Fuse 34 on fuse holder C -SC34-	7.5 A	Interior mirror -EX5- Relay for power sockets -J807- Reversing light switch -F4- Pressure sender for refrigerant circuit -G805- Air quality sensor -G238- Centre switch module in dash panel -EX22- Switch module 1 in centre console -EX23- Control unit for structure-borne sound -J869- Electromechanical parking brake button -E538-	15
SC35	Fuse 35 on fuse holder C -SC35-	10 A	Diagnostic connection -U31-	15
SC36	Fuse 36 on fuse holder C -SC36-	7.5 A	Front right headlight -MX2-	15
SC37	Fuse 37 on fuse holder C -SC37-	7.5 A	Front left headlight -MX1-	15
SC38	Fuse 38 on fuse holder C -SC38-	25 A	Trailer detector control unit -J345-	30
SC39	Fuse 39 on fuse holder C -SC39-	30 A	Front passenger door control unit -J387- Rear passenger side door control unit -J927-	30
SC40	Fuse 40 on fuse holder C -SC40-	20 A	12 V socket -U5- 12 V socket 2 -U18- 12 V socket 3 -U19-	15
SC41	Fuse 41 on fuse holder C -SC41-	25 A	Front right seat belt -NX11-	30
SC42	Fuse 42 on fuse holder C -SC42-	40 A	Onboard supply control unit -J519-	30
SC43	Fuse 43 on fuse holder C -SC43-	40 A	Digital sound package control unit -J525-	30
SC44	Fuse 44 on fuse holder C -SC44-	15 A	Trailer detector control unit -J345-	30
SC45	Fuse 45 on fuse holder C -SC45-	15 A	Driver seat adjustment control unit -J810- Front left seat cushion fan 1 -V514- Front left seat backrest fan 1 -V512-	30
SC46	Fuse 46 on fuse holder C -SC46-	30 A	DC/AC converter with socket, 12 V - 230 V -U13-	30
SC47	not assigned	-		-
SC48	not assigned	-		-
SC49	Fuse 49 on fuse holder C -SC49-	7.5 A	Clutch position sender -G476- Starter relay 1 -J906- Starter relay 2 -J907-	15

Slot	Current flow diagram designation	Nominal value	Function / component	Terminal
SC50	Fuse 50 on fuse holder C -SC50-	40 A	Rear lid control unit -J605-	30
SC51	Fuse 51 on fuse holder C -SC51-	25 A	Operating and display unit for rear air conditioning system -E265-	30
SC52	Fuse 52 on fuse holder C -SC52-	15 A	Electronically controlled damping control unit -J250-	30
SC53	Fuse 53 on fuse holder C -SC53-	30 A	Heated rear window relay -J9-	15

- 1) For models with equipment for Korea
- 2) According to equipment
- 3) For American markets

Back to overview ⇒ [page 1](#)

1.7 Fuse holder C -SC- , from July 2018

- ◆ ⇒ [“1.7.1 Fitting location of fuse holder C SC left-hand drive models, from July 2018”, page 35](#)
- ◆ ⇒ [“1.7.2 Fitting location of fuse holder C SC right-hand drive models, from July 2018”, page 37](#)
- ◆ ⇒ [“1.7.3 Fuse assignment for fuse holder C SC , from July 2018”, page 39](#)

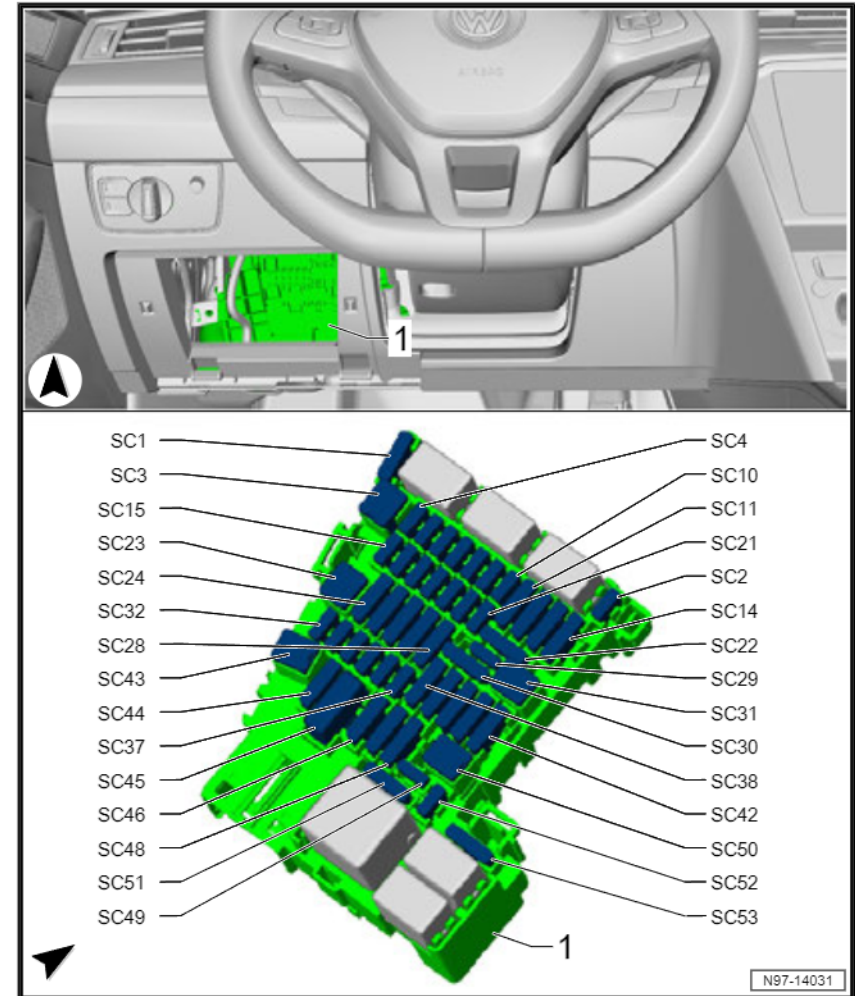
1.7.1 Fitting location of fuse holder C -SC- left-hand drive models, from July 2018



Note

For left-hand drive models

1 - Fuse holder C -SC-



Fuse colours for J-Case fuse:

- ◆ 50 A - red
- ◆ 40 A - green
- ◆ 30 A - pink

Fuse colours for ATO flat fuse:

- ◆ 40 A - orange

- ◆ 30 A - light green
- ◆ 25 A - natural (white)
- ◆ 20 A - yellow
- ◆ 15 A - light blue
- ◆ 10 A - red
- ◆ 7.5 A - brown
- ◆ 5 A - light brown
- ◆ 1 A - black

Fuse colours, for mini fuses:

- ◆ 20 A - yellow
- ◆ 15 A - light blue
- ◆ 10 A - red
- ◆ 7.5 A - brown
- ◆ 5 A - light brown
- ◆ 1 A - black

Back to overview ⇒ [page 1](#)

1.7.2 Fitting location of fuse holder C -SC- right-hand drive models, from July 2018

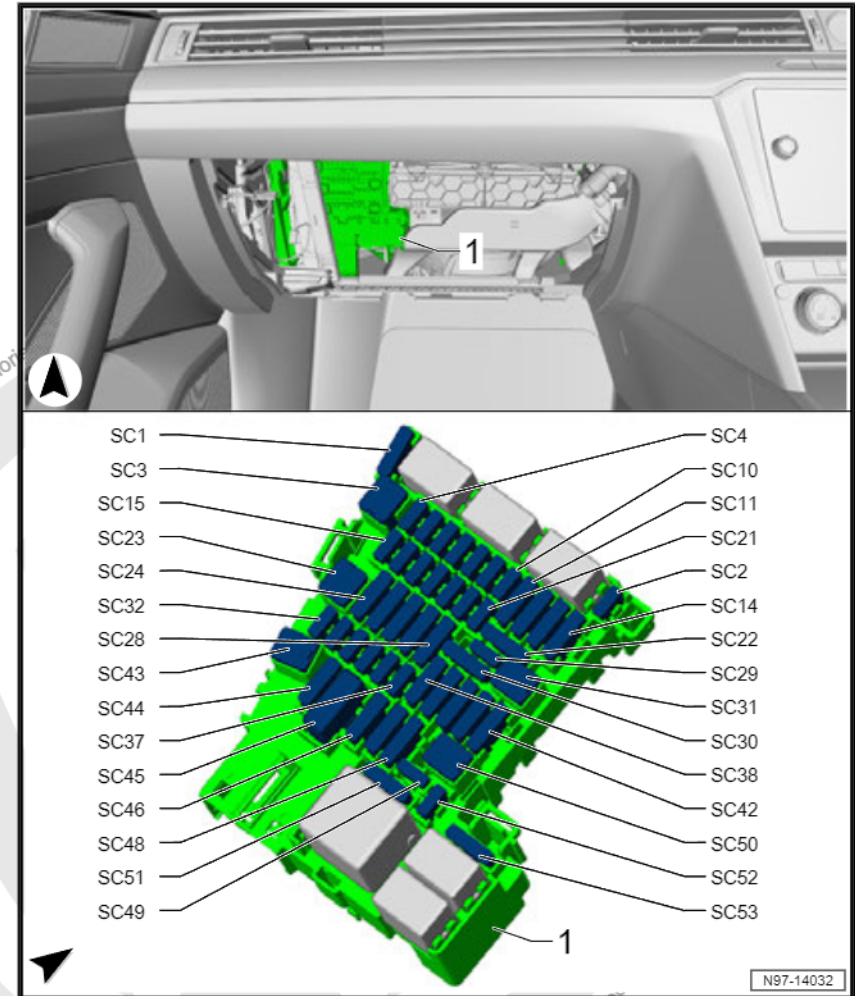


Note

For right-hand drive models



1 - Fuse holder C -SC-



Fuse colours for J-Case fuse:

- ◆ 50 A - red
- ◆ 40 A - green
- ◆ 30 A - pink

Fuse colours for ATO flat fuse:

- ◆ 40 A - orange

- ◆ 30 A - light green
- ◆ 25 A - natural (white)
- ◆ 20 A - yellow
- ◆ 15 A - light blue
- ◆ 10 A - red
- ◆ 7.5 A - brown
- ◆ 5 A - light brown
- ◆ 1 A - black

Fuse colours, for mini fuses:

- ◆ 20 A - yellow
- ◆ 15 A - light blue
- ◆ 10 A - red
- ◆ 7.5 A - brown
- ◆ 5 A - light brown
- ◆ 1 A - black

Back to overview [page 1](#)

1.7.3 Fuse assignment for fuse holder C -SC-, from July 2018

 Note

The fuse SC40 is supplied via terminal 15 from the factory and can be supplied via terminal 30 by reconnecting. If a consumer is connected to the electric socket or to the cigarette lighter, ensure that the consumer is disconnected from the voltage supply when the engine is switched off to prevent the drive battery being discharged.

Slot	Current flow diagram designation	Nominal value	Function / component	Terminal
SC1	Fuse 1 on fuse holder C -SC1-	30 A	Control unit for reducing agent heater -J891-	30
SC2	Fuse 2 on fuse holder C -SC2-	10 A	Steering column electronics control unit -J527-	30
SC3	not assigned	-		-

Slot	Current flow diagram designation	Nominal value	Function / component	Terminal
SC4	Fuse 4 on fuse holder C -SC4-	7.5 A ²⁾ 10 A ³⁾	Alarm horn -H12-	30
SC5	Fuse 5 on fuse holder C -SC5-	7.5 A	Data bus diagnostic interface -J533-	30
SC6	Fuse 6 on fuse holder C -SC6-	7.5 A	Selector lever -E313-	30
SC7	Fuse 7 on fuse holder C -SC7-	10 A	Heater and air conditioning controls -EX21- Operating and display unit for rear air conditioning system -E265- Remote control receiver for auxiliary coolant heater -R149- Heated rear window relay -J9- Analogue clock -Y- Tyre Pressure Monitoring System control unit -J502-	30
SC8	Fuse 8 on fuse holder C -SC8-	7.5 A	Rotary light switch -EX1- Electromechanical parking brake button -E538- Rain and light sensor -G397- Diagnostic connection -U31- Anti-theft alarm sensor -G578- Left background lighting LED -L181- Right background lighting LED -L182- Front interior light -WX1- Anti-theft alarm sensor -G578- Control unit for cornering light and headlight range control -J745- Light for front left door contour lighting -L251- Light for rear left door contour lighting -L253- Light for front right door contour lighting -L252- Light for rear right door contour lighting -L254-	30
SC9	Fuse 9 on fuse holder C -SC9-	7.5 A	Steering column electronics control unit -J527-	30
SC10	Fuse 10 on fuse holder C -SC10-	10 A	Display unit for front information display and operating unit control unit -J685- Control unit for Head-up Display -J898-	30
SC11	Fuse 11 on fuse holder C -SC11-	40 A	Onboard supply control unit -J519-	30
SC12	Fuse 12 on fuse holder C -SC12-	20 A	Control unit 1 for information electronics -J794- Control unit for navigation system -J856- 1)	30
SC13	Fuse 13 on fuse holder C -SC13-	25 A	Front left seat belt -NX10-	30
SC14	Fuse 14 on fuse holder C -SC14-	40 A	Fresh air blower control unit -J126-	30

Slot	Current flow diagram designation	Nominal value	Function / component	Terminal
SC15	Fuse 15 on fuse holder C -SC15-	10 A	Control unit for electronic steering column lock -J764-	30
SC16	Fuse 16 on fuse holder C -SC16-	7.5 A	Two-way signal amplifier for mobile telephone/data services -J984- USB charging socket 1 -U37- Storage compartment with interface for mobile telephone -R265- USB hub -R293-	30
SC17	Fuse 17 on fuse holder C -SC17-	7.5 A	Dash panel insert -KX2- Emergency call module control unit and communication unit -J949-	30
SC18	Fuse 18 on fuse holder C -SC18-	7.5 A	Control unit for overhead view camera -J928- Rear lid handle -EX37- Rear overhead view camera -R246-	30
SC19	Fuse 19 on fuse holder C -SC19-	7.5 A	Interface for entry and start system -J965-	30
SC20	Fuse 20 on fuse holder C -SC20-	7.5 A ²⁾ 10 A ³⁾ 15 A ⁴⁾	Relay for reducing agent metering system -J963- Vacuum pump relay -J318- ⁴⁾	30
SC21	Fuse 21 on fuse holder C -SC21-	15 A	All-wheel drive control unit -J492-	30
SC22	Fuse 22 on fuse holder C -SC22-	15 A	Trailer detector control unit -J345-	30
SC23	Fuse 24 on fuse holder C -SC24-	20 A	Sliding sunroof adjustment control unit -J245-	30
SC24	Fuse 23 on fuse holder C -SC23-	40 A	Onboard supply control unit -J519-	30
SC25	Fuse 25 on fuse holder C -SC25-	30 A	Driver door control unit -J386- Rear driver side door control unit -J926-	30 30
SC26	Fuse 26 on fuse holder C -SC26-	30 A	Onboard supply control unit -J519-	30
SC27	Fuse 27 on fuse holder C -SC27-	30 A	Onboard supply control unit -J519-	-
SC28	Fuse 28 on fuse holder C -SC28-	25 A	Trailer detector control unit -J345-	30
SC29	not assigned	-		-
SC30	Fuse 30 on fuse holder C -SC30-	10 A ³⁾	Remote starting system relay -J471- ³⁾	30
SC31	Fuse 31 on fuse holder C -SC31-	30 A	Rear lid control unit -J605-	30
SC32	Fuse 32 on fuse holder C -SC32-	10 A	Front camera for driver assist systems -R242- Adaptive cruise control unit -J428- Parking aid control unit -J446-	15

Slot	Current flow diagram designation	Nominal value	Function / component	Terminal
			Lane change assist control unit -J769- Lane change assist control unit 2 -J770-	
SC33	Fuse 33 on fuse holder C -SC33-	7.5 A	Airbag control unit -J234-	15
SC34	Fuse 34 on fuse holder C -SC34-	7.5 A	Interior mirror -EX5- Relay for power sockets -J807- Reversing light switch -F4- Pressure sender for refrigerant circuit -G805- Air quality sensor -G238- Centre switch module in dash panel -EX22- Switch module 1 in centre console -EX23- Control unit for structure-borne sound -J869- Electromechanical parking brake button -E538-	15
SC35	Fuse 35 on fuse holder C -SC35-	7.5 A	Diagnostic connection -U31-	15
SC36	Fuse 36 on fuse holder C -SC36-	7.5 A	Front right headlight -MX2-	15
SC37	Fuse 37 on fuse holder C -SC37-	7.5 A	Front left headlight -MX1-	15
SC38	Fuse 38 on fuse holder C -SC38-	25 A	Trailer detector control unit -J345-	30
SC39	Fuse 39 on fuse holder C -SC39-	30 A	Front passenger door control unit -J387- Rear passenger side door control unit -J927-	30
SC40	Fuse 40 on fuse holder C -SC40-	20 A	12 V socket -U5- 12 V socket 2 -U18- 12 V socket 3 -U19-	15
SC41	Fuse 41 on fuse holder C -SC41-	25 A	Front right seat belt -NX11-	30
SC42	Fuse 42 on fuse holder C -SC42-	40 A	Onboard supply control unit -J519-	30
SC43	Fuse 43 on fuse holder C -SC43-	40 A	Digital sound package control unit -J525-	30
SC44	Fuse 44 on fuse holder C -SC44-	15 A	Trailer detector control unit -J345-	30
SC45	Fuse 45 on fuse holder C -SC45-	15 A	Driver seat adjustment control unit -J810- Front left seat cushion fan 1 -V514- Front left seat backrest fan 1 -V512-	30
SC46	Fuse 46 on fuse holder C -SC46-	30 A	DC/AC converter with socket, 12 V - 230 V -U13-	30
SC47	not assigned	-		-
SC48	not assigned	-		-
SC49	Fuse 49 on fuse holder C -SC49-	7.5 A	Clutch position sender -G476-	15

Slot	Current flow diagram designation	Nominal value	Function / component	Terminal
			Starter relay 1 -J906- Starter relay 2 -J907-	
SC50	not assigned	-		-
SC51	Fuse 51 on fuse holder C -SC51-	25 A	Operating and display unit for rear air conditioning system -E265-	30
SC52	Fuse 52 on fuse holder C -SC52-	15 A	Electronically controlled damping control unit -J250-	30
SC53	Fuse 53 on fuse holder C -SC53-	30 A	Heated rear window relay -J9-	15

- 1) For models with equipment for Korea
- 2) According to equipment
- 3) For American markets
- 4) For 1.5l petrol engine

Back to overview ⇒ [page 1](#)

1.8 Fuse holder C -SC- , from November 2018

- ◆ ⇒ [“1.8.1 Fitting location of fuse holder C SC , left-hand drive models, from November 2018”, page 43](#)
- ◆ ⇒ [“1.8.2 Fitting location of fuse holder C SC , right-hand drive models, from November 2018”, page 45](#)
- ◆ ⇒ [“1.8.3 Fuse assignment for fuse holder C SC , from November 2018”, page 47](#)

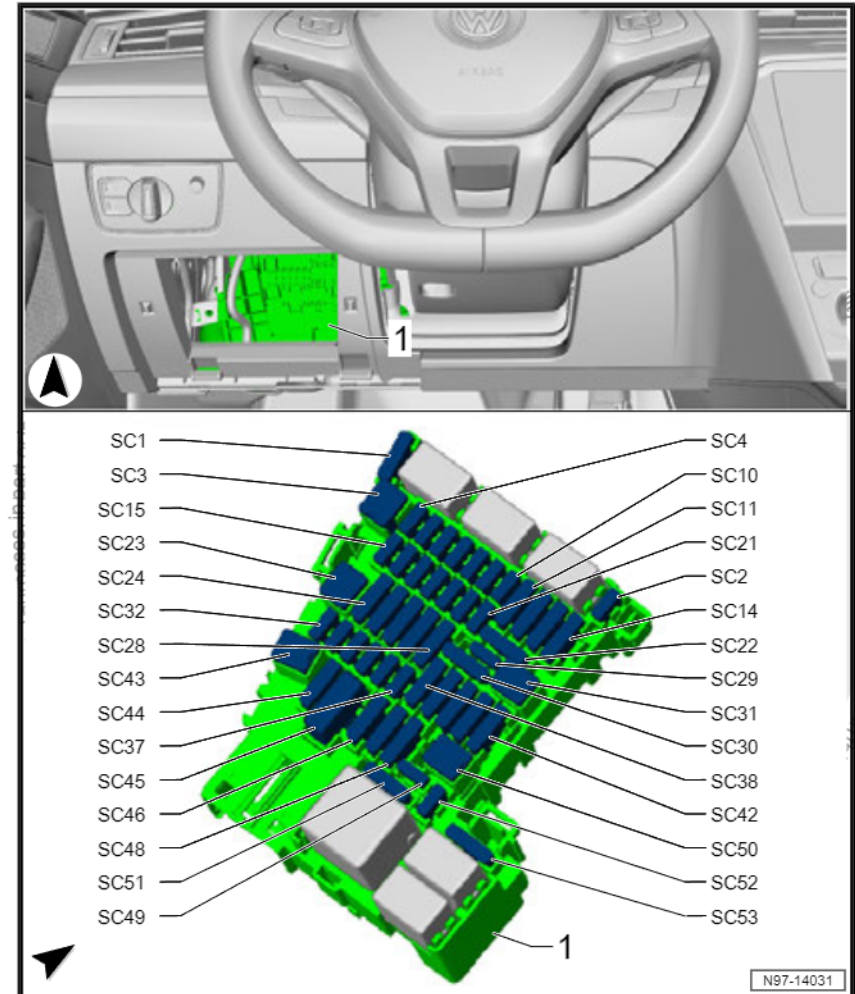
1.8.1 Fitting location of fuse holder C -SC- , left-hand drive models, from November 2018



Note

For left-hand drive models

1 - Fuse holder C -SC-



Fuse colours for J-Case fuse:

- ◆ 50 A - red
- ◆ 40 A - green
- ◆ 30 A - pink

Fuse colours for ATO flat fuse:

- ◆ 40 A - orange

- ◆ 30 A - light green
- ◆ 25 A - natural (white)
- ◆ 20 A - yellow
- ◆ 15 A - light blue
- ◆ 10 A - red
- ◆ 7.5 A - brown
- ◆ 5 A - light brown
- ◆ 1 A - black

Fuse colours, for mini fuses:

- ◆ 20 A - yellow
- ◆ 15 A - light blue
- ◆ 10 A - red
- ◆ 7.5 A - brown
- ◆ 5 A - light brown
- ◆ 1 A - black

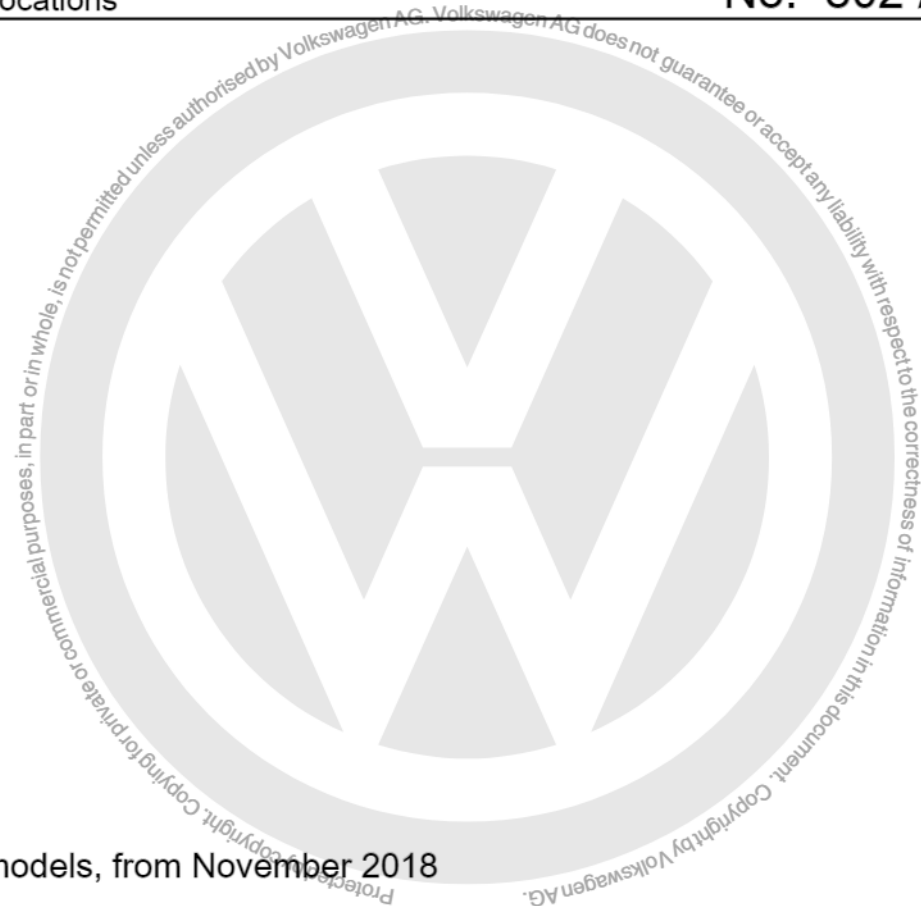
Back to overview ⇒ [page 1](#)

1.8.2 Fitting location of fuse holder C -SC- , right-hand drive models, from November 2018

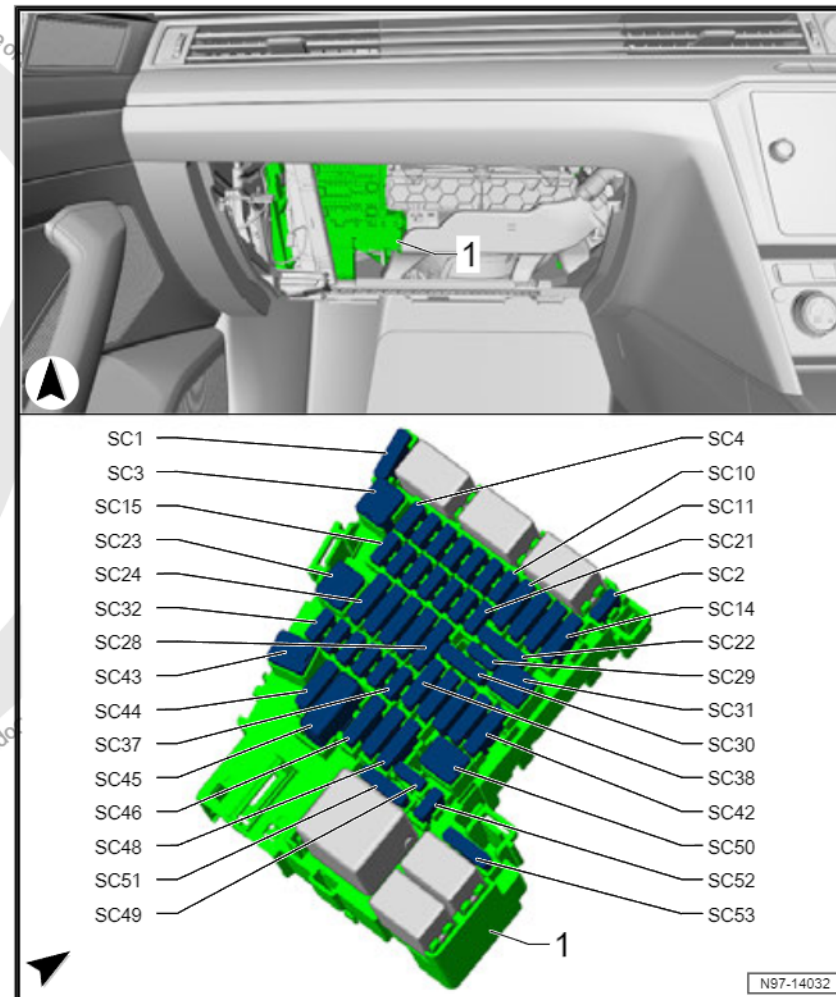


Note

For right-hand drive models



1 - Fuse holder C -SC-



Fuse colours for J-Case fuse:

- ◆ 50 A - red
- ◆ 40 A - green
- ◆ 30 A - pink

Fuse colours for ATO flat fuse:

- ◆ 40 A - orange

- ◆ 30 A - light green
- ◆ 25 A - natural (white)
- ◆ 20 A - yellow
- ◆ 15 A - light blue
- ◆ 10 A - red
- ◆ 7.5 A - brown
- ◆ 5 A - light brown
- ◆ 1 A - black

Fuse colours, for mini fuses:

- ◆ 20 A - yellow
- ◆ 15 A - light blue
- ◆ 10 A - red
- ◆ 7.5 A - brown
- ◆ 5 A - light brown
- ◆ 1 A - black

Back to overview ⇒ [page 1](#)

1.8.3 Fuse assignment for fuse holder C -SC- , from November 2018



Note

The fuse SC40 is supplied via terminal 15 from the factory and can be supplied via terminal 30 by reconnecting. If a consumer is connected to the electric socket or to the cigarette lighter, ensure that the consumer is disconnected from the voltage supply when the engine is switched off to prevent the drive battery being discharged.

Slot	Current flow diagram designation	Nominal value	Function / component	Terminal
SC1	Fuse 1 on fuse holder C -SC1-	30 A	Control unit for reducing agent heater -J891-	30
SC2	Fuse 2 on fuse holder C -SC2-	10 A	Steering column electronics control unit -J527-	30
SC3	not assigned	-		-

Slot	Current flow diagram designation	Nominal value	Function / component	Terminal
SC4	Fuse 4 on fuse holder C -SC4-	7.5 A ²⁾ 10 A ³⁾	Alarm horn -H12-	30
SC5	Fuse 5 on fuse holder C -SC5-	7.5 A	Data bus diagnostic interface -J533-	30
SC6	Fuse 6 on fuse holder C -SC6-	7.5 A	Selector lever -E313-	30
SC7	Fuse 7 on fuse holder C -SC7-	10 A	Heater and air conditioning controls -EX21- Operating and display unit for rear air conditioning system -E265- Remote control receiver for auxiliary coolant heater -R149- Heated rear window relay -J9- Analogue clock -Y- Tyre Pressure Monitoring System control unit -J502-	30
SC8	Fuse 8 on fuse holder C -SC8-	7.5 A	Rotary light switch -EX1- Electromechanical parking brake button -E538- Rain and light sensor -G397- Diagnostic connection -U31- Anti-theft alarm sensor -G578- Left background lighting LED -L181- Right background lighting LED -L182- Front interior light -WX1- Anti-theft alarm sensor -G578- Control unit for cornering light and headlight range control -J745- Light for front left door contour lighting -L251- Light for rear left door contour lighting -L253- Light for front right door contour lighting -L252- Light for rear right door contour lighting -L254-	30
SC9	Fuse 9 on fuse holder C -SC9-	7.5 A	Steering column electronics control unit -J527-	30
SC10	Fuse 10 on fuse holder C -SC10-	10 A	Display unit for front information display and operating unit control unit -J685- Control unit for Head-up Display -J898-	30
SC11	Fuse 11 on fuse holder C -SC11-	40 A	Onboard supply control unit -J519-	30
SC12	Fuse 12 on fuse holder C -SC12-	20 A	Control unit 1 for information electronics -J794- Control unit for navigation system -J856- ¹⁾	30
SC13	Fuse 13 on fuse holder C -SC13-	25 A	Front left seat belt -NX10-	30
SC14	Fuse 14 on fuse holder C -SC14-	40 A	Fresh air blower control unit -J126-	30

Slot	Current flow diagram designation	Nominal value	Function / component	Terminal
SC15	Fuse 15 on fuse holder C -SC15-	10 A	Control unit for electronic steering column lock -J764-	30
SC16	Fuse 16 on fuse holder C -SC16-	7.5 A	Two-way signal amplifier for mobile telephone/data services -J984- USB charging socket 1 -U37- Storage compartment with interface for mobile telephone -R265- USB hub -R293-	30
SC17	Fuse 17 on fuse holder C -SC17-	7.5 A	Dash panel insert -KX2- Emergency call module control unit and communication unit -J949-	30
SC18	Fuse 18 on fuse holder C -SC18-	7.5 A	Control unit for overhead view camera -J928- Rear lid handle -EX37- Rear overhead view camera -R246-	30
SC19	Fuse 19 on fuse holder C -SC19-	7.5 A	Interface for entry and start system -J965-	30
SC20	Fuse 20 on fuse holder C -SC20-	7.5 A 2) 10 A 2) 15 A ⁴⁾	Relay for reducing agent metering system -J963- Vacuum pump relay -J318- 4)	30
SC21	Fuse 21 on fuse holder C -SC21-	15 A	All-wheel drive control unit -J492-	30
SC22	Fuse 22 on fuse holder C -SC22-	15 A	Trailer detector control unit -J345-	30
SC23	Fuse 24 on fuse holder C -SC24-	20 A	Sliding sunroof adjustment control unit -J245-	30
SC24	Fuse 23 on fuse holder C -SC23-	40 A	Onboard supply control unit -J519-	30
SC25	Fuse 25 on fuse holder C -SC25-	30 A	Driver door control unit -J386- Rear driver side door control unit -J926-	30 30
SC26	Fuse 26 on fuse holder C -SC26-	30 A	Onboard supply control unit -J519-	30
SC27	Fuse 27 on fuse holder C -SC27-	30 A	Onboard supply control unit -J519-	-
SC28	Fuse 28 on fuse holder C -SC28-	25 A	Trailer detector control unit -J345-	30
SC29	Fuse 29 on fuse holder C -SC29-	5 A ³⁾	Remote starting system relay -J471- 3)	30
SC30	Fuse 30 on fuse holder C -SC30-	10 A 3)	Remote starting system relay -J471- 3)	30
SC31	Fuse 31 on fuse holder C -SC31-	30 A	Rear lid control unit -J605-	30
SC32	Fuse 32 on fuse holder C -SC32-	10 A	Front camera for driver assist systems -R242- Adaptive cruise control unit -J428- Parking aid control unit -J446-	15

Slot	Current flow diagram designation	Nominal value	Function / component	Terminal
			Lane change assist control unit -J769- Lane change assist control unit 2 -J770-	
SC33	Fuse 33 on fuse holder C -SC33-	7.5 A	Airbag control unit -J234-	15
SC34	Fuse 34 on fuse holder C -SC34-	7.5 A	Interior mirror -EX5- Relay for power sockets -J807- Reversing light switch -F4- Pressure sender for refrigerant circuit -G805- Air quality sensor -G238- Centre switch module in dash panel -EX22- Switch module 1 in centre console -EX23- Control unit for structure-borne sound -J869- Electromechanical parking brake button -E538-	15
SC35	Fuse 35 on fuse holder C -SC35-	7.5 A	Diagnostic connection -U31-	15
SC36	Fuse 36 on fuse holder C -SC36-	7.5 A	Front right headlight -MX2-	15
SC37	Fuse 37 on fuse holder C -SC37-	7.5 A	Front left headlight -MX1-	15
SC38	Fuse 38 on fuse holder C -SC38-	25 A	Trailer detector control unit -J345-	30
SC39	Fuse 39 on fuse holder C -SC39-	30 A	Front passenger door control unit -J387- Rear passenger side door control unit -J927-	30
SC40	Fuse 40 on fuse holder C -SC40-	20 A	12 V socket -U5- 12 V socket 2 -U18- 12 V socket 3 -U19-	15
SC41	Fuse 41 on fuse holder C -SC41-	25 A	Front right seat belt -NX11-	30
SC42	Fuse 42 on fuse holder C -SC42-	40 A	Onboard supply control unit -J519-	30
SC43	Fuse 43 on fuse holder C -SC43-	40 A	Digital sound package control unit -J525-	30
SC44	Fuse 44 on fuse holder C -SC44-	15 A	Trailer detector control unit -J345-	30
SC45	Fuse 45 on fuse holder C -SC45-	15 A	Driver seat adjustment control unit -J810- Front left seat cushion fan 1 -V514- Front left seat backrest fan 1 -V512-	30
SC46	Fuse 46 on fuse holder C -SC46-	30 A	DC/AC converter with socket, 12 V - 230 V -U13-	30
SC47	not assigned	-		-
SC48	not assigned	-		-
SC49	Fuse 49 on fuse holder C -SC49-	7.5 A	Clutch position sender -G476-	15

Slot	Current flow diagram designation	Nominal value	Function / component	Terminal
			Starter relay 1 -J906- Starter relay 2 -J907-	
SC50	not assigned	-		-
SC51	Fuse 51 on fuse holder C -SC51-	25 A	Operating and display unit for rear air conditioning system -E265-	30
SC52	Fuse 52 on fuse holder C -SC52-	15 A	Electronically controlled damping control unit -J250-	30
SC53	Fuse 53 on fuse holder C -SC53-	30 A	Heated rear window relay -J9-	15

- 1) For models with equipment for Korea
- 2) According to equipment
- 3) For American markets
- 4) For 1.5l petrol engine

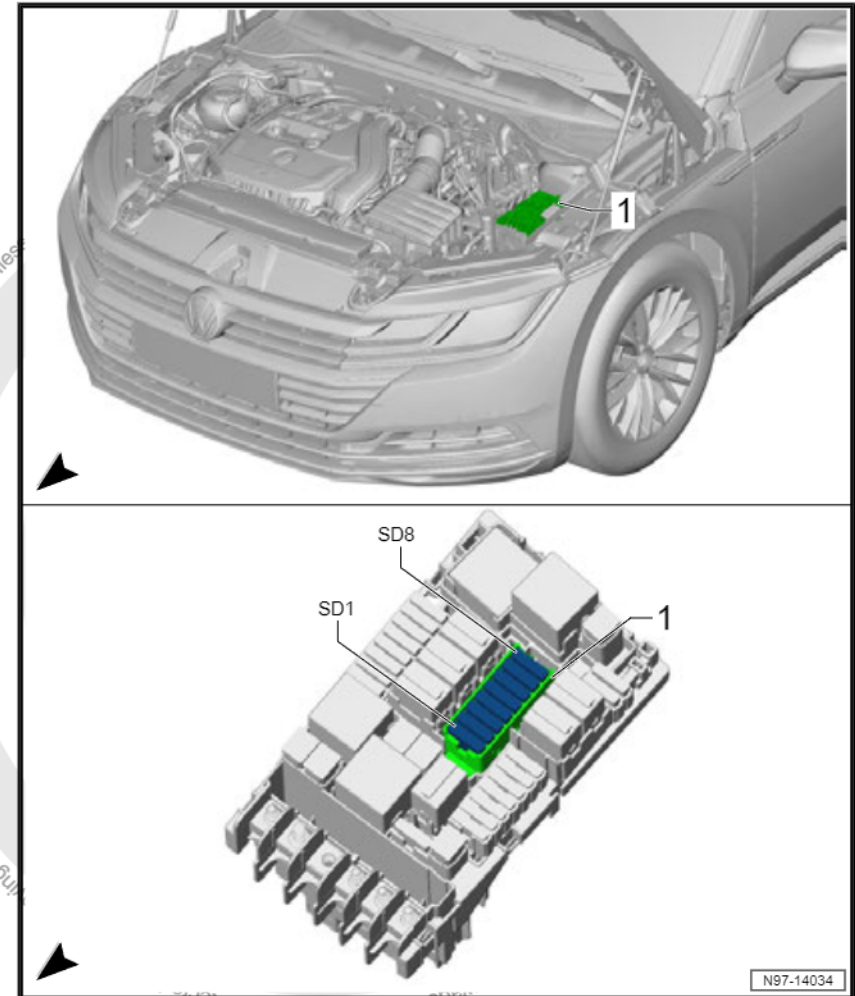
Back to overview ⇒ [page 1](#)

1.9 Fuse holder D -SD- , from March 2017

- ◆ ⇒ ["1.9.1 Fitting location of fuse holder D SD , from March 2017", page 51](#)
- ◆ ⇒ ["1.9.2 Fuse assignment for fuse holder D SD , from March 2017", page 53](#)

1.9.1 Fitting location of fuse holder D -SD- , from March 2017

1 - Fuse holder D -SD-



Fuse colours for ATO flat fuse:

- ◆ 40 A - orange
- ◆ 30 A - light green
- ◆ 25 A - natural (white)
- ◆ 20 A - yellow

- ◆ 15 A - light blue
- ◆ 10 A - red
- ◆ 7.5 A - brown
- ◆ 5 A - light brown
- ◆ 1 A - black

Back to overview ⇒ [page 1](#)

1.9.2 Fuse assignment for fuse holder D -SD- , from March 2017

Slot	Current flow diagram designation	Nominal value	Function / component	Terminal
SD1	not assigned	-		-
SD2	not assigned	-		-
SD3	Fuse 3 on fuse holder D -SD3-	15 A	Mechatronic unit for dual clutch gearbox -J743-	30
SD4	not assigned	-		-
SD5	Fuse 5 on fuse holder D -SD5-	30 A	Wiper motor control unit -J400-	30
SD6	not assigned	-		-
SD7	Fuse 7 on fuse holder D -SD7-	20 A	Auxiliary heater control unit -J364-	30
SD8	not assigned	-		-

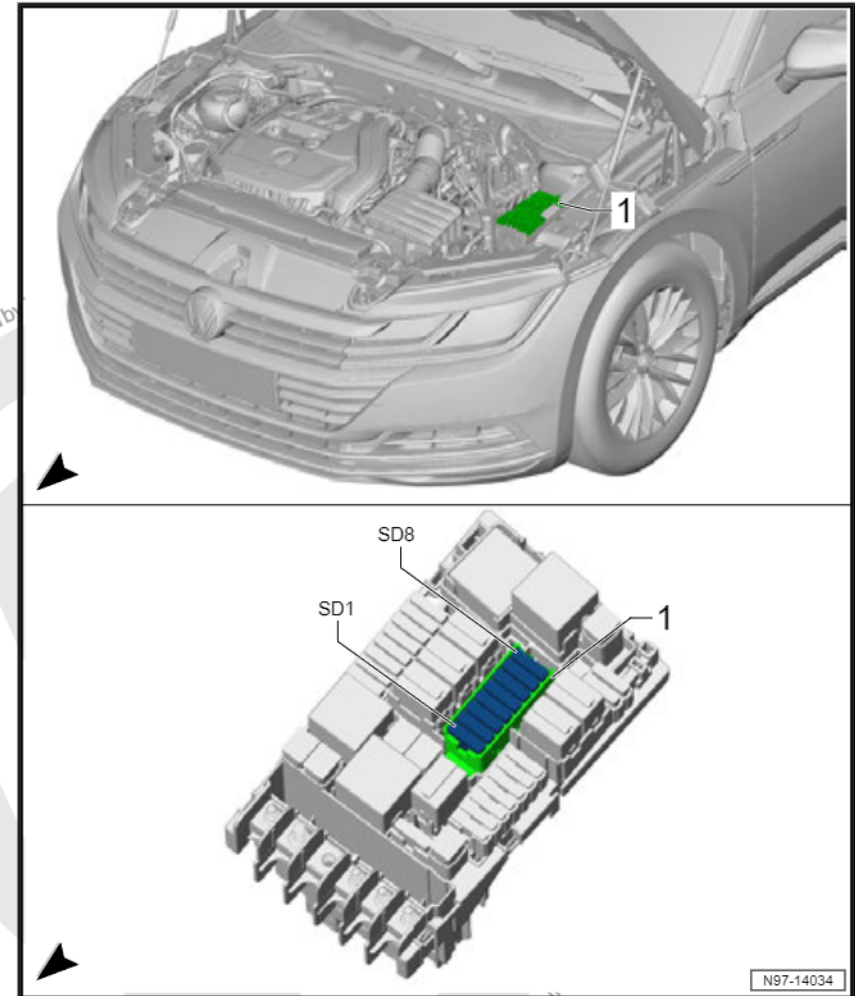
Back to overview ⇒ [page 1](#)

1.10 Fuse holder D -SD- , from July 2018

- ◆ ⇒ ["1.10.1 Fitting location of fuse holder D SD , from July 2018", page 53](#)
- ◆ ⇒ ["1.10.2 Fuse assignment for fuse holder D SD , from July 2018", page 55](#)

1.10.1 Fitting location of fuse holder D -SD- , from July 2018

1 - Fuse holder D -SD-



Fuse colours for ATO flat fuse:

- ◆ 40 A - orange
- ◆ 30 A - light green
- ◆ 25 A - natural (white)
- ◆ 20 A - yellow

- ◆ 15 A - light blue
- ◆ 10 A - red
- ◆ 7.5 A - brown
- ◆ 5 A - light brown
- ◆ 1 A - black

Back to overview ⇒ [page 1](#)

1.10.2 Fuse assignment for fuse holder D -SD- , from July 2018

Slot	Current flow diagram designation	Nominal value	Function / component	Terminal
SD1	not assigned	-		-
SD2	not assigned	-		-
SD3	Fuse 3 on fuse holder D -SD3-	30 A	Heated windscreen relay 2 -J611- ¹⁾	30
SD4	Fuse 4 on fuse holder D -SD4-	30 A	Heated windscreen relay 2 -J611- ²⁾	30
SD5	Fuse 5 on fuse holder D -SD5-	30 A	Wiper motor control unit -J400-	30
SD6	not assigned	-		-
SD7	Fuse 7 on fuse holder D -SD7-	20 A	Auxiliary heater control unit -J364-	30
SD8	not assigned	-		-

- 1) For models with battery in engine compartment
 2) For models with battery in luggage compartment

Back to overview ⇒ [page 1](#)

1.11 Fuse holder G -SG- , from March 2017

 Note

for models with battery in luggage compartment

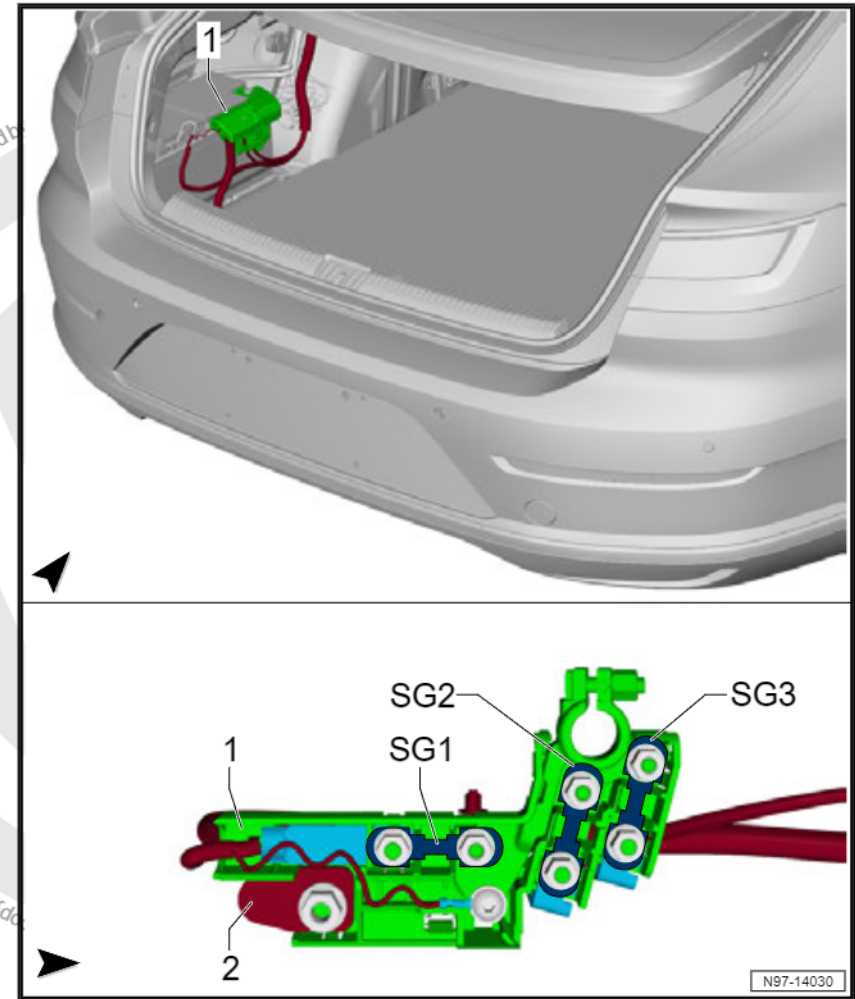
- ◆ ⇒ [“1.11.1 Fitting location of fuse holder G SG , from March 2017”, page 56](#)
- ◆ ⇒ [“1.11.2 Fuse assignment for fuse holder G SG ”, page 57](#)

1.11.1 Fitting location of fuse holder G -SG- , from March 2017

1 - Fuse holder G -SG-

□ for models with battery in luggage compartment

2 - Supply 508 Threaded connection (30), on E-box



⇒ Rep. Gr. 97 ; Removing and installing fuse holder



Note

The fuse strip (multifuse) can be replaced as a complete unit.

Back to overview ⇒ [page 1](#)

1.11.2 Fuse assignment for fuse holder G -SG-



Note

for models with battery in luggage compartment

Slot	Current flow diagram designation	Nominal value	Function / component	Terminal
SG1	Fuse 1 on fuse holder G -SG1-	80 A	Fuse holder C -SC- ♦ Fuse 1 on fuse holder C -SC1- - fuse 3 on fuse holder C -SC3- ♦ Fuse 15 on fuse holder C -SC15- - fuse 30 on fuse holder C -SC30- ♦ Fuse 43 on fuse holder C -SC43- - fuse 46 on fuse holder C -SC46- ♦ Fuse 50 on fuse holder C -SC50- - fuse 52 on fuse holder C -SC52-	
SG2	Fuse 2 on fuse holder G -SG2-	125 A	Fuse holder C -SC- ♦ Fuse 4 on fuse holder C -SC4- - fuse 14 on fuse holder C -SC14- ♦ Fuse 22 on fuse holder C -SC22- ♦ Fuse 31 on fuse holder C -SC31- ♦ Fuse 38 on fuse holder C -SC38- - fuse 42 on fuse holder C -SC42- ♦ Fuse 53 on fuse holder C -SC53- ♦ Terminal 15 voltage supply relay -J329- ♦ Relay for power sockets -J807-	
SG3	Fuse 3 on fuse holder G -SG3-	125 A	Fuse holder D -SD- ♦ Fuse 3 on fuse holder D -SD3- ♦ Fuse 5 on fuse holder D -SD5- ♦ Fuse 7 on fuse holder D -SD7-	

Back to overview ⇒ [page 1](#)

1.12 Relay and fuse carrier 1 -SR1- , from March 2017

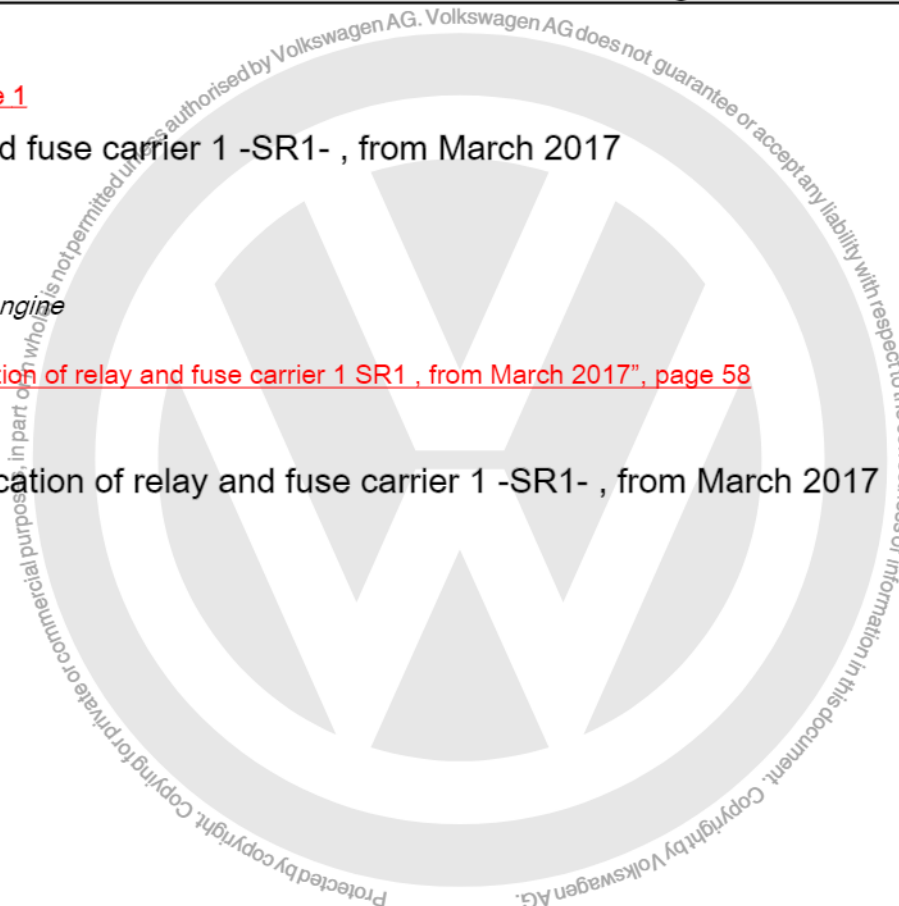


Note

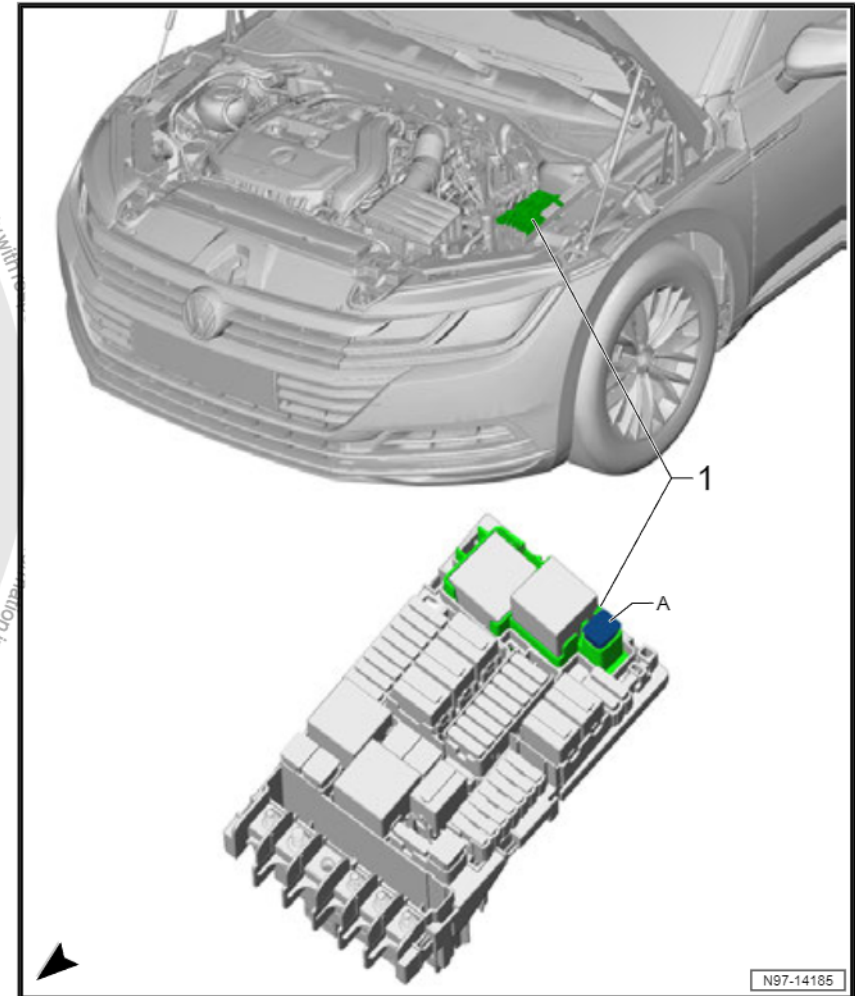
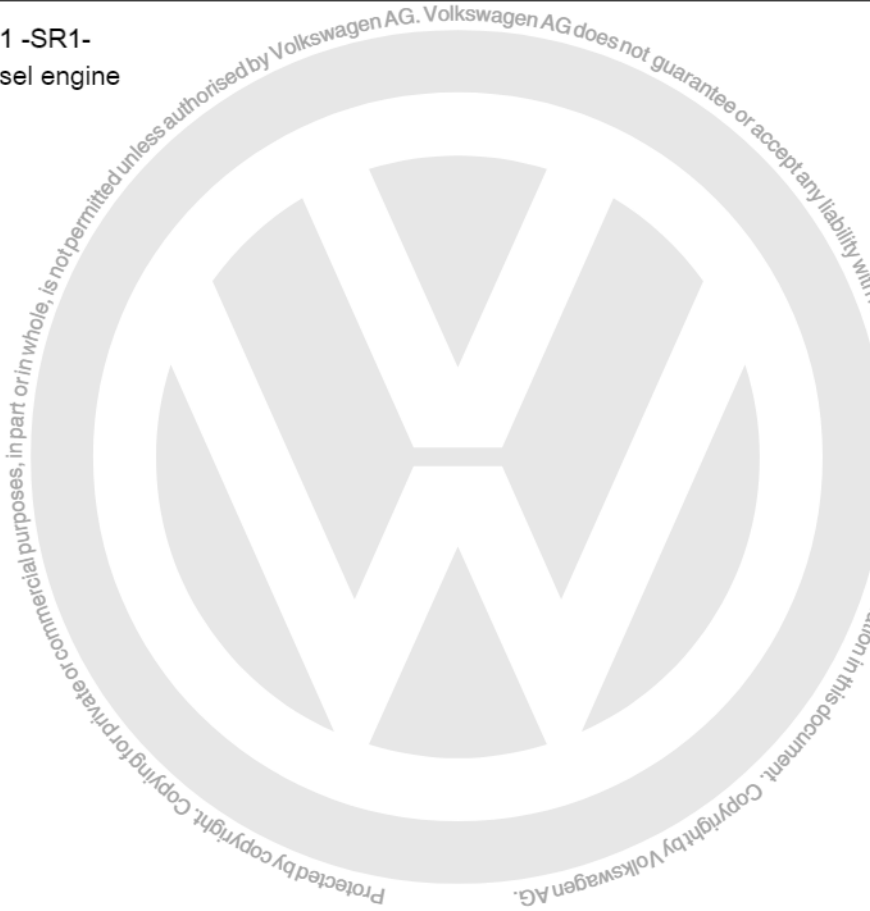
For models with diesel engine

- ◆ ⇒ ["1.12.1 Fitting location of relay and fuse carrier 1 SR1 , from March 2017", page 58](#)
- ◆ ⇒ [page 59](#)

1.12.1 Fitting location of relay and fuse carrier 1 -SR1- , from March 2017



- 1 - Relay and fuse carrier 1 -SR1-
 - For models with diesel engine



Back to overview ⇒ [page 1](#)

1.12.2 Fuse assignment for relay and fuse carrier 1 -SR1- , from March 2017

i Note

For models with diesel engine

Slot	Current flow diagram designation	Nominal value	Function / component	Terminal
A	Auxiliary air heating fuse -S379-	40 A	Auxiliary air heater element -Z35-	PTC1

Back to overview ⇒ [page 1](#)

1.13 Individual fuses, from March 2017

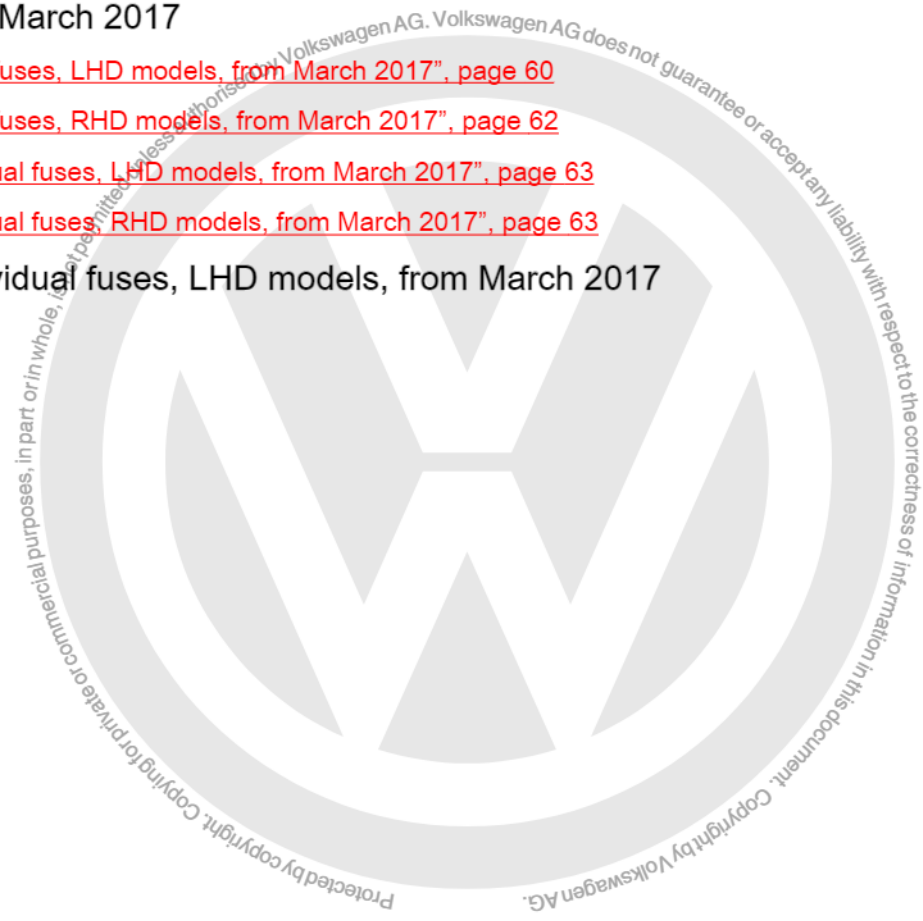
- ◆ ⇒ [“1.13.1 Fitting location of individual fuses, LHD models, from March 2017”, page 60](#)
- ◆ ⇒ [“1.13.2 Fitting location of individual fuses, RHD models, from March 2017”, page 62](#)
- ◆ ⇒ [“1.13.3 Fuse assignment for individual fuses, LHD models, from March 2017”, page 63](#)
- ◆ ⇒ [“1.13.4 Fuse assignment for individual fuses, RHD models, from March 2017”, page 63](#)

1.13.1 Fitting location of individual fuses, LHD models, from March 2017

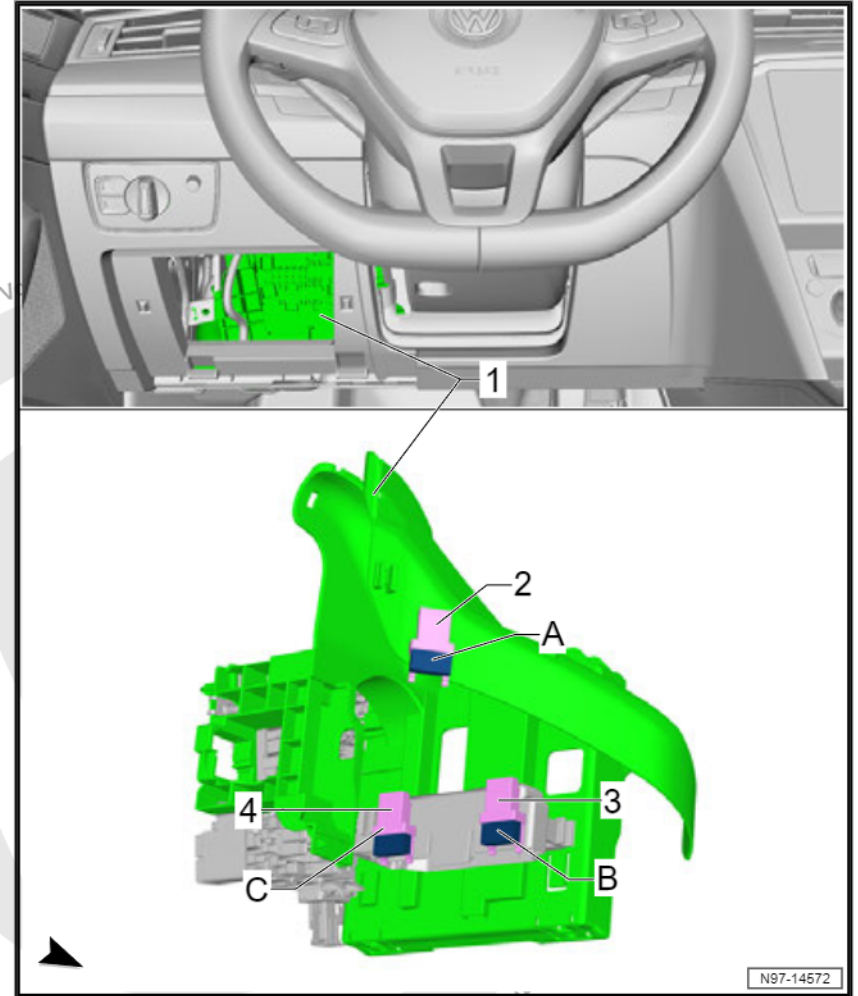


Note

For left-hand drive models



- 1 - Holder
- 2 - Fuse carrier 2 -ST2-
- 3 - Fuse carrier 1 -ST1-
 - For American markets
- 4 - Fuse carrier 1 -ST1-



Protected by copyright. Copying for private or commercial purposes, in part or in whole, is not permitted unless authorised by Volkswagen AG.

Back to overview ⇒ [page 1](#)

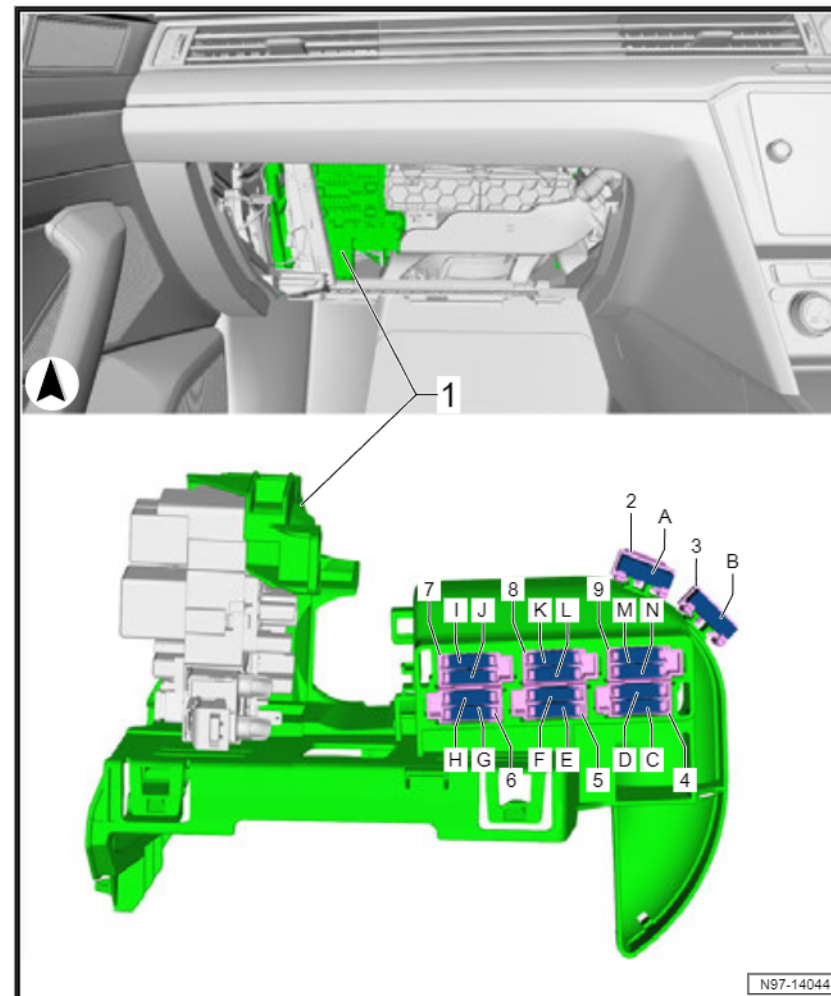
1.13.2 Fitting location of individual fuses, RHD models, from March 2017



Note

For right-hand drive models

- 1 - Holder
- 2 - Fuse carrier 2 -ST2-
 For models with electric seat adjustment on front passenger side
- 3 - Not installed
- 4 - Not installed
- 5 - Not installed
- 6 - Fuse carrier 1 -ST1-
- 7 - Not installed
- 8 - Not installed
- 9 - Not installed



N97-14044

[Back to overview ⇒ page 1](#)

1.13.3 Fuse assignment for individual fuses, LHD models, from March 2017



Note

For left-hand drive models

Slot	Current flow diagram designation	Nominal value	Function / component	Terminal
A	Front passenger seat adjustment thermal fuse 1 -S46-	15 A	Operating unit for front right seat adjustment -EX34- Front right seat cushion fan 1 -V518- Front right seat backrest fan 1 -V516-	30
B	Remote starting system fuse 1 -S250-	5 A	Remote starting system relay -J471-	30
C	USB charging socket fuse -S356-	7.5 A	USB charging socket 1 -U37-	15

[Back to overview ⇒ page 1](#)

1.13.4 Fuse assignment for individual fuses, RHD models, from March 2017



Note

For right-hand drive models

Slot	Current flow diagram designation	Nominal value	Function / component	Terminal
A	Front passenger seat adjustment thermal fuse 1 -S46-	15 A	Operating unit for front right seat adjustment -EX34- Front right seat cushion fan 1 -V518- Front right seat backrest fan 1 -V516-	30
B	not assigned	-		-
C	not assigned	-		-
D	not assigned	-		-
E	not assigned	-		-
F	not assigned	-		-

Slot	Current flow diagram designation	Nominal value	Function / component	Terminal
G	not assigned	-		-
H	USB charging socket fuse -S356-	7.5 A	USB charging socket 1 -U37-	15
I	not assigned	-		-
J	not assigned	-		-
K	not assigned	-		-
L	not assigned	-		-
M	not assigned	-		-
N	not assigned	-		-

Back to overview ⇒ [page 1](#)

1.14 Individual fuses, from November 2018

- ◆ ⇒ [“1.14.1 Fitting location of individual fuses, LHD models, from November 2018”, page 64](#)
- ◆ ⇒ [“1.14.2 Fitting location of individual fuses, RHD models, from November 2018”, page 66](#)
- ◆ ⇒ [“1.14.3 Fuse assignment of individual fuses, LHD models, from November 2018”, page 67](#)
- ◆ ⇒ [“1.14.4 Fuse assignment of individual fuses, RHD models, from November 2018”, page 67](#)

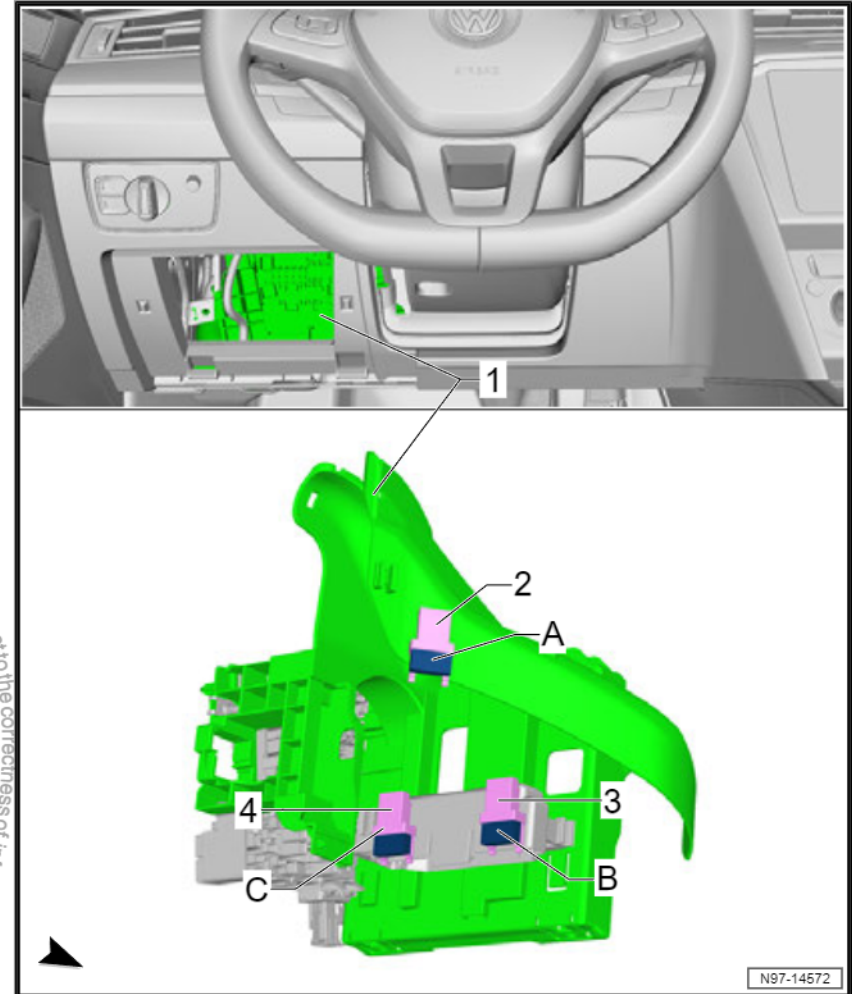
1.14.1 Fitting location of individual fuses, LHD models, from November 2018



Note

For left-hand drive models

- 1 - Holder
- 2 - Fuse carrier 2 -ST2-
- 3 - Fuse carrier 1 -ST1-
 - For American markets
- 4 - Fuse carrier 1 -ST1-



Back to overview ⇒ [page 1](#)

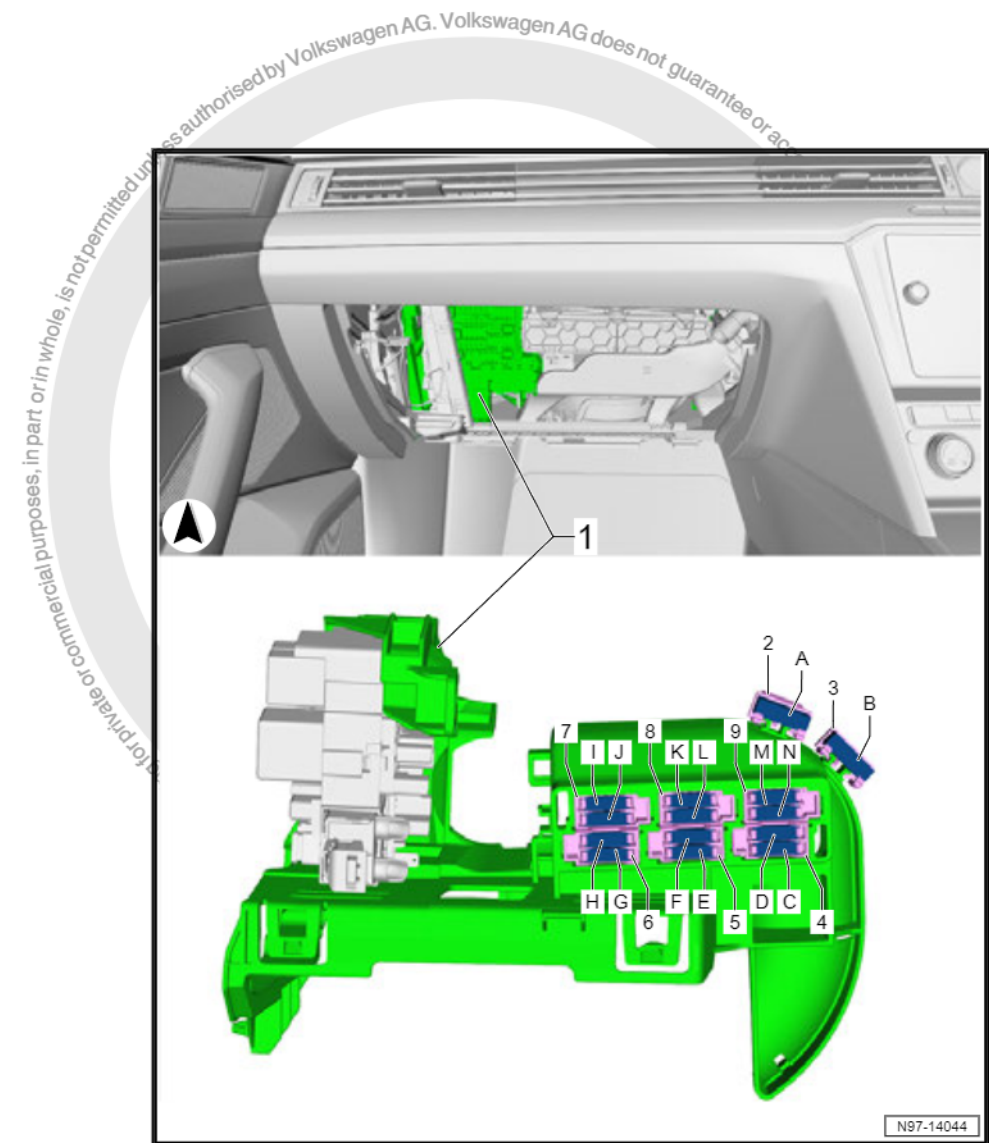
1.14.2 Fitting location of individual fuses, RHD models, from November 2018



Note

For right-hand drive models

- 1 - Holder
- 2 - Fuse carrier 2 -ST2-
 - ❑ For models with electric seat adjustment on front passenger side
- 3 - Not installed
- 4 - Not installed
- 5 - Not installed
- 6 - Fuse carrier 1 -ST1-
- 7 - Not installed
- 8 - Not installed
- 9 - Not installed



N97-14044

[Back to overview ⇒ page 1](#)

1.14.3 Fuse assignment of individual fuses, LHD models, from November 2018



Note

For left-hand drive models

Slot	Current flow diagram designation	Nominal value	Function / component	Terminal
A	Front passenger seat adjustment thermal fuse 1 -S46-	15 A	Operating unit for front right seat adjustment -EX34- Front right seat cushion fan 1 -V518- Front right seat backrest fan 1 -V516-	30
B	not assigned	-		-
C	USB charging socket fuse S356-	7.5 A	USB charging socket 1 -U37-	15

[Back to overview ⇒ page 1](#)

1.14.4 Fuse assignment of individual fuses, RHD models, from November 2018



Note

For right-hand drive models

Slot	Current flow diagram designation	Nominal value	Function / component	Terminal
A	Front passenger seat adjustment thermal fuse 1 -S46-	15 A	Operating unit for front right seat adjustment -EX34- Front right seat cushion fan 1 -V518- Front right seat backrest fan 1 -V516-	30
B	not assigned	-		-
C	not assigned	-		-
D	not assigned	-		-
E	not assigned	-		-
F	not assigned	-		-

Slot	Current flow diagram designation	Nominal value	Function / component	Terminal
G	not assigned	-		-
H	USB charging socket fuse -S356-	7.5 A	USB charging socket 1 -U37-	15
I	not assigned	-		-
J	not assigned	-		-
K	not assigned	-		-
L	not assigned	-		-
M	not assigned	-		-
N	not assigned	-		-

Back to overview ⇒ [page 1](#)



