

1 Relays

- ◆ ⇒ ["1.1 Relays on fuse holder B SB , from March 2017"](#), page 3
- ◆ ⇒ ["1.2 Relays on fuse holder C SC , from March 2017"](#), page 4
- ◆ ⇒ ["1.3 Relays on fuse holder C SC , from July 2018"](#), page 5
- ◆ ⇒ ["1.4 Relay and fuse carrier 1 SR1 , from March 2017"](#), page 8
- ◆ ⇒ ["1.5 Relay and fuse carrier 3 SR3 , from March 2017"](#), page 9
- ◆ ⇒ ["1.6 Remote starting system relay J471 , from November 2017"](#), page 11

Component	Chapter	Comment
Heated rear window relay -J9-	⇒ <a href="#">"1.2.1 Relays on fuse holder C SC , LHD models, from March 2017"</a> , page 4	For left-hand drive models
Heated rear window relay -J9-	⇒ <a href="#">"1.2.2 Relays on fuse holder C SC , RHD models, from March 2017"</a> , page 5	For right-hand drive models
Heated rear window relay -J9-	⇒ <a href="#">"1.3.1 Relays on fuse holder C SC , LHD models, from July 2018"</a> , page 6	For left-hand drive models
Heated rear window relay -J9-	⇒ <a href="#">"1.3.2 Relays on fuse holder C SC , RHD models, from July 2018"</a> , page 7	For right-hand drive models
Heated windscreen relay -J47-	⇒ <a href="#">"1.5.1 Relay and fuse carrier 3 SR3 , variant 1, from March 2017"</a> , page 10	For models with heated windscreen (4GX)
Heated windscreen relay -J47-	⇒ <a href="#">"1.5.2 Relay and fuse carrier 3 SR3 , variant 2, from March 2017"</a> , page 11	For models with climate windscreen (4GW)
Automatic glow period control unit -J179-	⇒ <a href="#">"1.4.1 Relay and fuse carrier 1 SR1 , from March 2017"</a> , page 8	For models with diesel engine
Main relay -J271-	⇒ <a href="#">"1.1.1 Relays on fuse holder B SB , from March 2017"</a> , page 3	For models with petrol engine
Terminal 30 voltage supply relay -J317-	⇒ <a href="#">"1.1.1 Relays on fuse holder B SB , from March 2017"</a> , page 3	For models with diesel engine
Vacuum pump relay -J318-	⇒ <a href="#">"1.3.1 Relays on fuse holder C SC , LHD models, from July 2018"</a> , page 6	For left-hand drive models For models with 1.5l petrol engine From July 2018 Up to July 2018, see fitting locations: front part of vehicle
Vacuum pump relay -J318-	⇒ <a href="#">"1.3.2 Relays on fuse holder C SC , RHD models, from July 2018"</a> , page 7	For right-hand drive models For models with 1.5l petrol engine From July 2018 Up to July 2018, see fitting locations: front part of vehicle
Terminal 15 voltage supply relay -J329-	⇒ <a href="#">"1.2.1 Relays on fuse holder C SC , LHD models, from March 2017"</a> , page 4	For left-hand drive models

Component	Chapter	Comment
Terminal 15 voltage supply relay -J329-	⇒ <a href="#">"1.2.2 Relays on fuse holder C SC , RHD models, from March 2017", page 5</a>	For right-hand drive models
Terminal 15 voltage supply relay -J329-	⇒ <a href="#">"1.3.1 Relays on fuse holder C SC , LHD models, from July 2018", page 6</a>	For left-hand drive models
Terminal 15 voltage supply relay -J329-	⇒ <a href="#">"1.3.2 Relays on fuse holder C SC , RHD models, from July 2018", page 7</a>	For right-hand drive models
Low heat output relay -J359-	⇒ <a href="#">"1.4.1 Relay and fuse carrier 1 SR1 , from March 2017", page 8</a>	For models with diesel engine
High heat output relay -J360-	⇒ <a href="#">"1.1.1 Relays on fuse holder B SB , from March 2017", page 3</a>	For models with diesel engine
Horn relay -J413-	⇒ <a href="#">"1.1.1 Relays on fuse holder B SB , from March 2017", page 3</a>	
Remote starting system relay -J471-	⇒ <a href="#">"1.6.1 Remote starting system relay J471 , from November 2017", page 12</a>	For models with remote engine start
Heated windscreen relay 2 -J611-	⇒ <a href="#">"1.5.1 Relay and fuse carrier 3 SR3 , variant 1, from March 2017", page 10</a>	For models with heated windscreen (4GX)
Engine component current supply relay -J757-	⇒ <a href="#">"1.5.2 Relay and fuse carrier 3 SR3 , variant 2, from March 2017", page 11</a>	For models with 2.0l petrol engine
Relay for power sockets -J807-	⇒ <a href="#">"1.2.1 Relays on fuse holder C SC , LHD models, from March 2017", page 4</a>	For left-hand drive models
Relay for power sockets -J807-	⇒ <a href="#">"1.2.2 Relays on fuse holder C SC , RHD models, from March 2017", page 5</a>	For right-hand drive models
Relay for power sockets -J807-	⇒ <a href="#">"1.3.1 Relays on fuse holder C SC , LHD models, from July 2018", page 6</a>	For left-hand drive models
Relay for power sockets -J807-	⇒ <a href="#">"1.3.2 Relays on fuse holder C SC , RHD models, from July 2018", page 7</a>	For right-hand drive models
Starter relay 1 -J906-	⇒ <a href="#">"1.1.1 Relays on fuse holder B SB , from March 2017", page 3</a>	
Starter relay 2 -J907-	⇒ <a href="#">"1.1.1 Relays on fuse holder B SB , from March 2017", page 3</a>	
Relay for reducing agent metering system -J963-	⇒ <a href="#">"1.2.1 Relays on fuse holder C SC , LHD models, from March 2017", page 4</a>	For left-hand drive models
Relay for reducing agent metering system -J963-	⇒ <a href="#">"1.2.2 Relays on fuse holder C SC , RHD models, from March 2017", page 5</a>	For right-hand drive models
Relay for reducing agent metering system -J963-	⇒ <a href="#">"1.3.1 Relays on fuse holder C SC , LHD models, from July 2018", page 6</a>	For left-hand drive models
Relay for reducing agent metering system -J963-	⇒ <a href="#">"1.3.2 Relays on fuse holder C SC , RHD models, from July 2018", page 7</a>	For right-hand drive models

1.1 Relays on fuse holder B -SB- , from March 2017

◆ ⇒ [“1.1.1 Relays on fuse holder B SB , from March 2017”, page 3](#)

1.1.1 Relays on fuse holder B -SB- , from March 2017

1 - Fuse holder B -SB-

R1 - Starter relay 1 -J906-

R2 - Starter relay 2 -J907-

R3 - Horn relay -J413-

R4 - High heat output relay -J360-

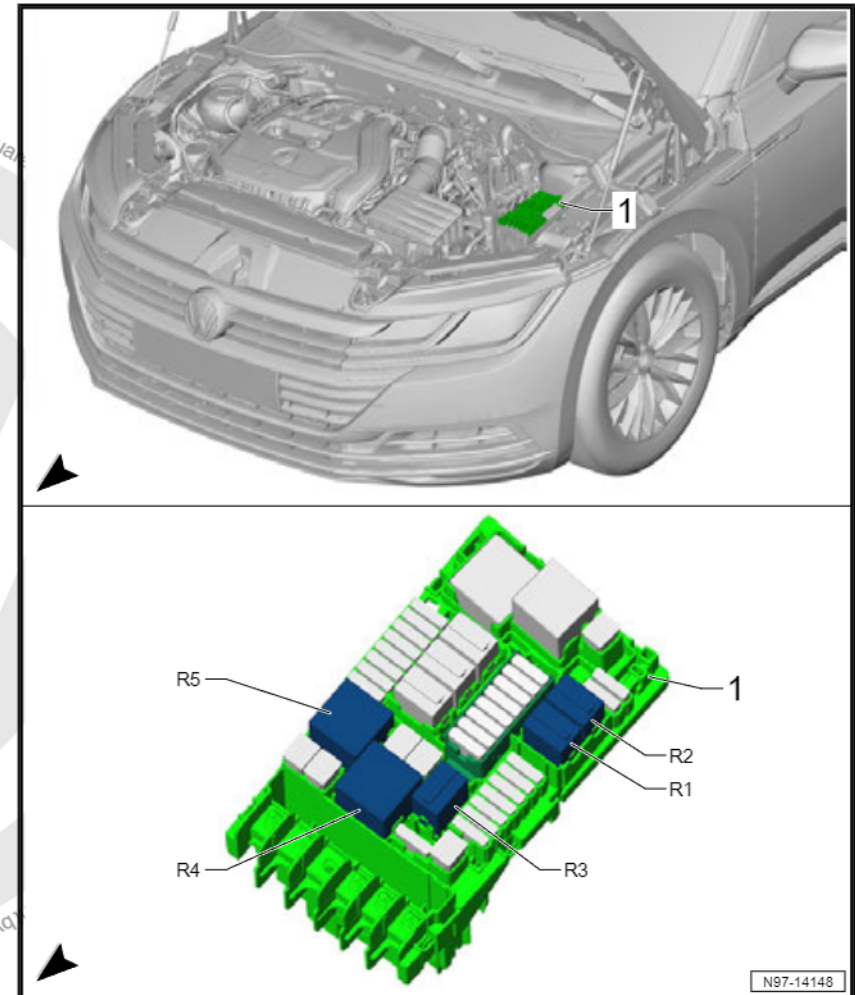
❑ For models with diesel engine

R5 - Main relay -J271-

❑ For models with petrol engine

R5 - Terminal 30 voltage supply relay -J317-

❑ For models with diesel engine



N97-14148

Back to overview ⇒ [page 1](#)

1.2 Relays on fuse holder C -SC- , from March 2017

◆ ⇒ [“1.2.1 Relays on fuse holder C SC , LHD models, from March 2017”](#), page 4

◆ ⇒ [“1.2.2 Relays on fuse holder C SC , RHD models, from March 2017”](#), page 5

1.2.1 Relays on fuse holder C -SC- , LHD models, from March 2017

1 - Fuse holder C -SC-

❑ For left-hand drive models

R1 - Relay for reducing agent metering system -J963-

❑ For left-hand drive models

R2 - not assigned

R3 - not assigned

R4 - Terminal 15 voltage supply relay -J329-

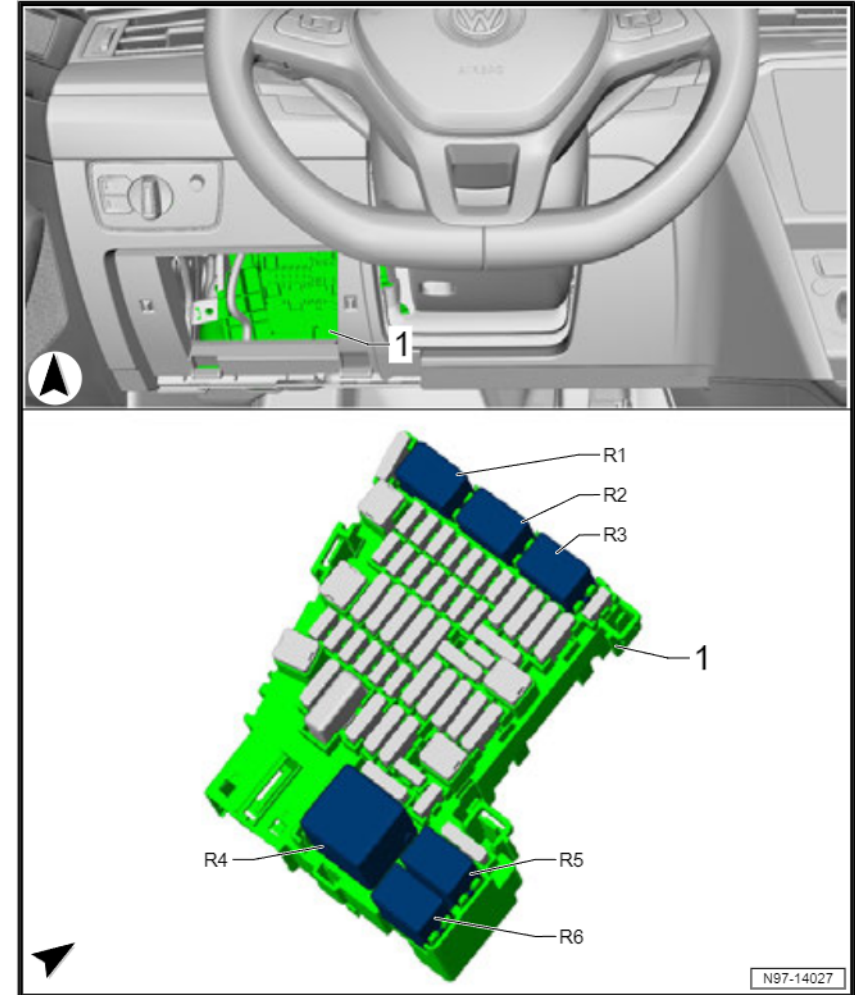
❑ For left-hand drive models

R5 - Heated rear window relay -J9-

❑ For left-hand drive models

R6 - Relay for power sockets -J807-

❑ For left-hand drive models



Protected by copyright. Copying for private or commercial purposes, in part or in whole, is prohibited. Volkswagen AG does not guarantee or accept any liability with respect to the correctness of information in this document. Copyright by Volkswagen AG.

N97-14027

[Back to overview ⇒ page 1](#)

### 1.2.2 Relays on fuse holder C -SC- , RHD models, from March 2017

1 - Fuse holder C -SC-

- For right-hand drive models

R1 - Relay for reducing agent metering system -J963-

- For right-hand drive models

R2 - not assigned

R3 - not assigned

R4 - Terminal 15 voltage supply relay -J329-

- For right-hand drive models

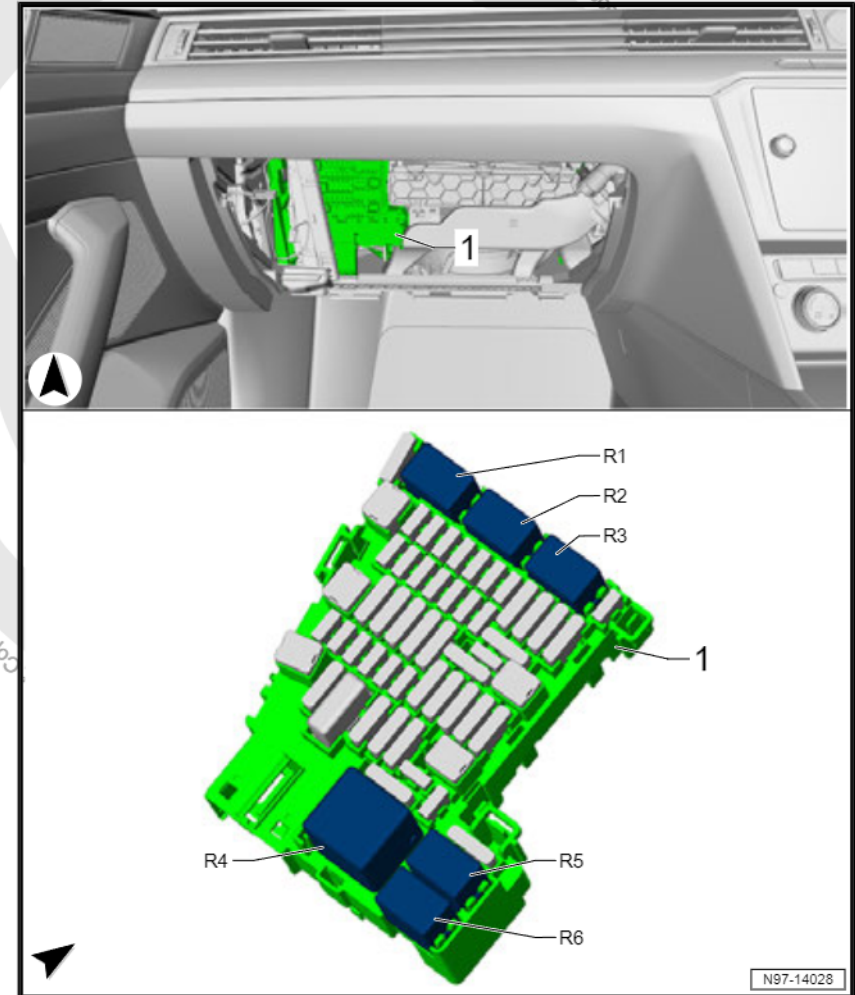
R5 - Heated rear window relay -J9-

- For right-hand drive models

R6 - Relay for power sockets -J807-

- For right-hand drive models

Copying for private or commercial purposes, in part or in whole, is not permitted unless authorised by Volkswagen AG. Volkswagen AG does not guarantee or accept



[Back to overview ⇒ page 1](#)

### 1.3 Relays on fuse holder C -SC- , from July 2018

◆ ⇒ ["1.3.1 Relays on fuse holder C SC , LHD models, from July 2018", page 6](#)

◆ ⇒ [“1.3.2 Relays on fuse holder C SC , RHD models, from July 2018” , page 7](#)

1.3.1 Relays on fuse holder C -SC- , LHD models, from July 2018

1 - Fuse holder C -SC-

- For left-hand drive models

R1 - Relay for reducing agent metering system -J963-

- For left-hand drive models
- For models with diesel engine

R1 - Vacuum pump relay -J318-

- For left-hand drive models
- For models with 1.5l petrol engine

Up to July 2018, see fitting locations: front part of vehicle

R2 - not assigned

R3 - not assigned

R4 - Terminal 15 voltage supply relay -J329-

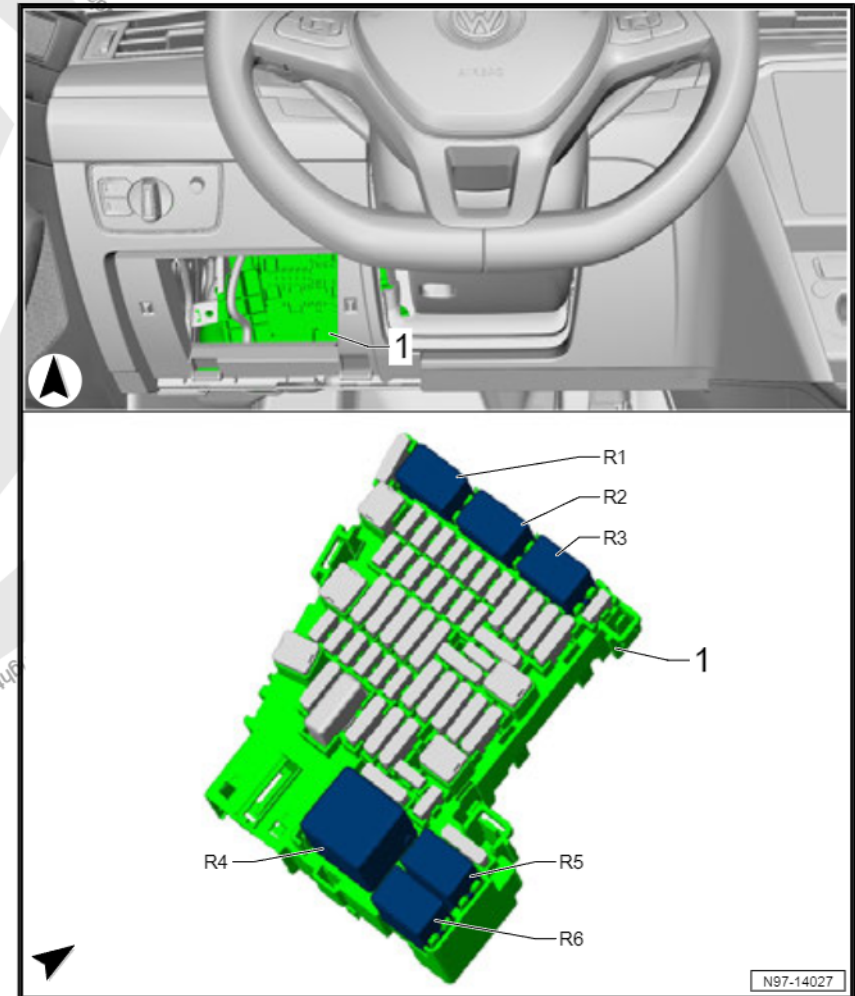
- For left-hand drive models

R5 - Heated rear window relay -J9-

- For left-hand drive models

R6 - Relay for power sockets -J807-

- For left-hand drive models



N97-14027

Back to overview ⇒ [page 1](#)

### 1.3.2 Relays on fuse holder C -SC- , RHD models, from July 2018

1 - Fuse holder C -SC-

- For right-hand drive models

R1 - Relay for reducing agent metering system -J963-

- For right-hand drive models
- For models with diesel engine

R1 - Vacuum pump relay -J318-

- For right-hand drive models
- For models with 1.5l petrol engine
- Up to July 2018, see fitting locations: front part of vehicle

R2 - not assigned

R3 - not assigned

R4 - Terminal 15 voltage supply relay -J329-

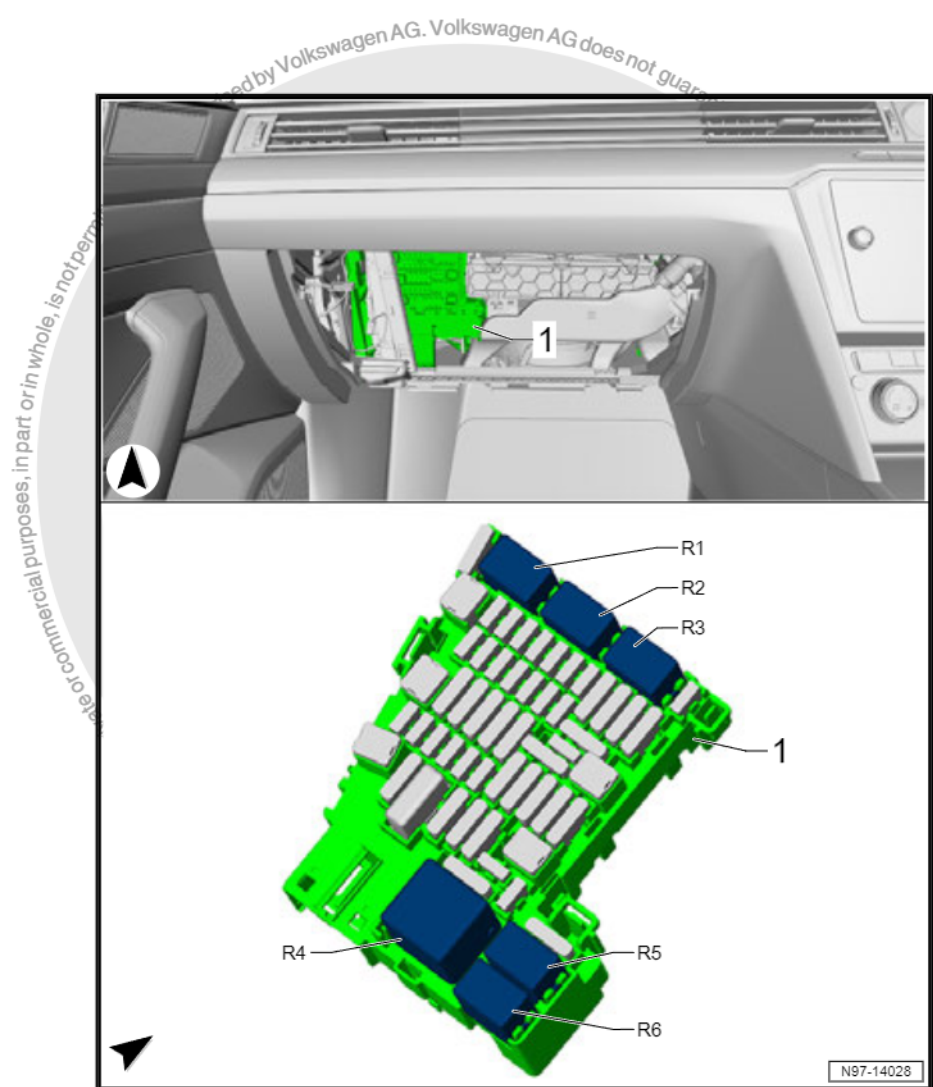
- For right-hand drive models

R5 - Heated rear window relay -J9-

- For right-hand drive models

R6 - Relay for power sockets -J807-

- For right-hand drive models



Back to overview ⇒ [page 1](#)

## 1.4 Relay and fuse carrier 1 -SR1- , from March 2017

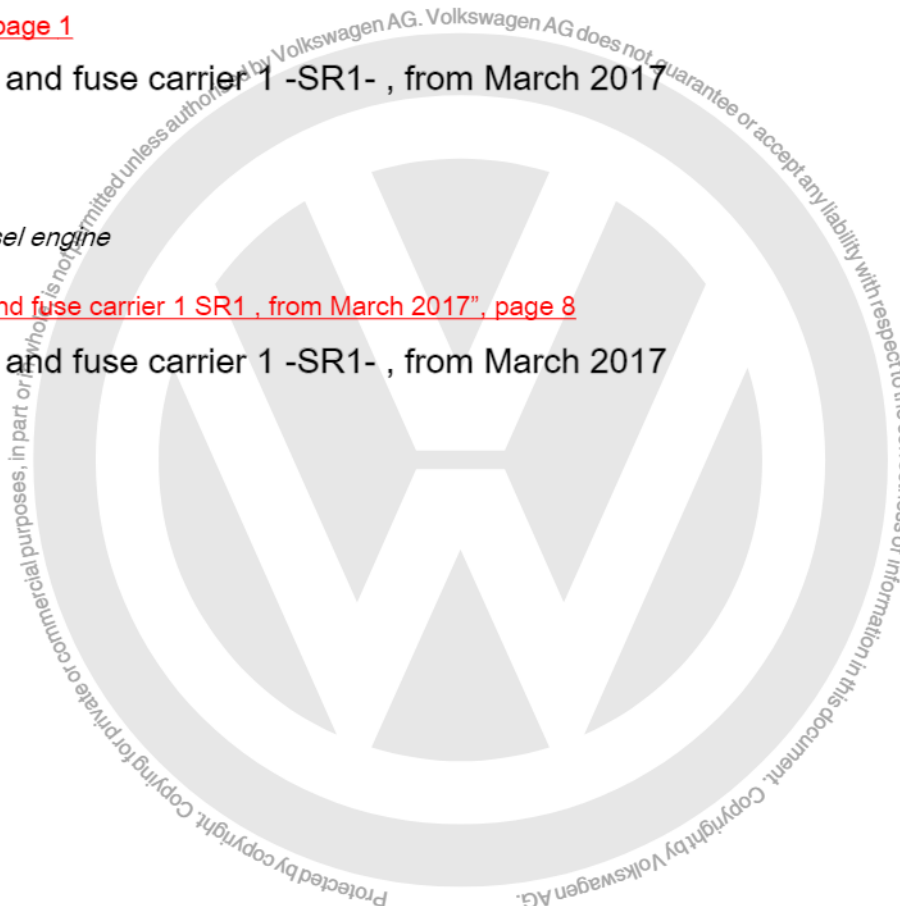


Note

*For models with diesel engine*

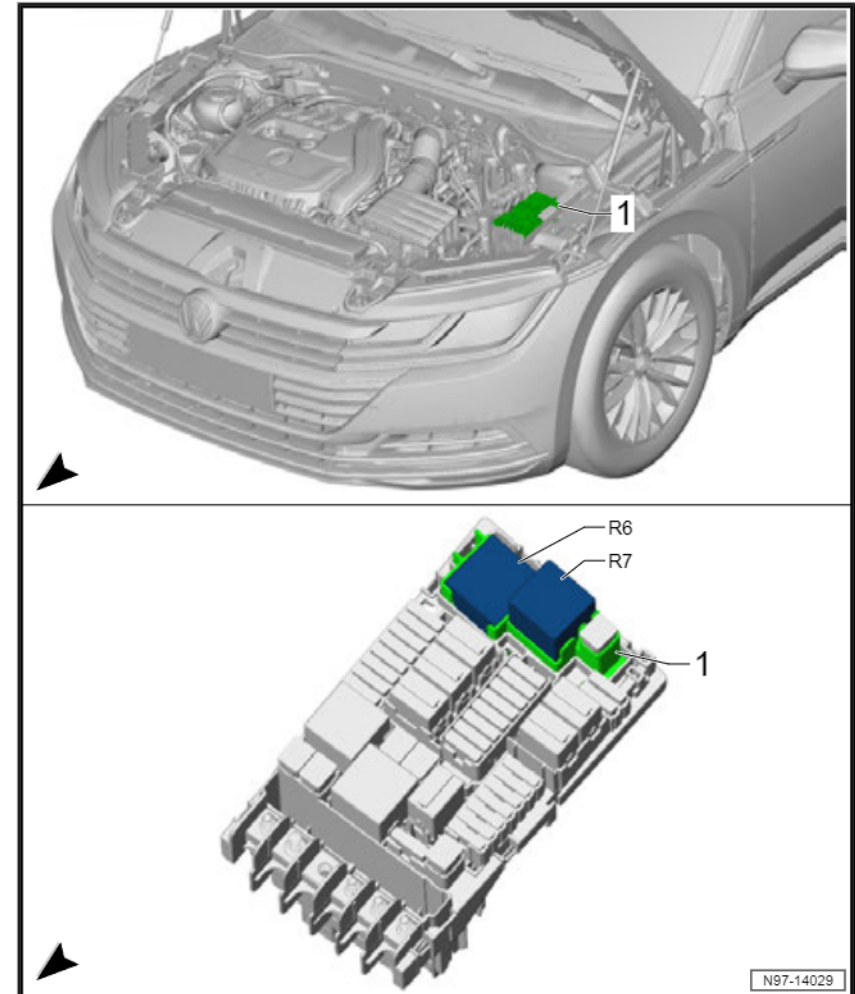
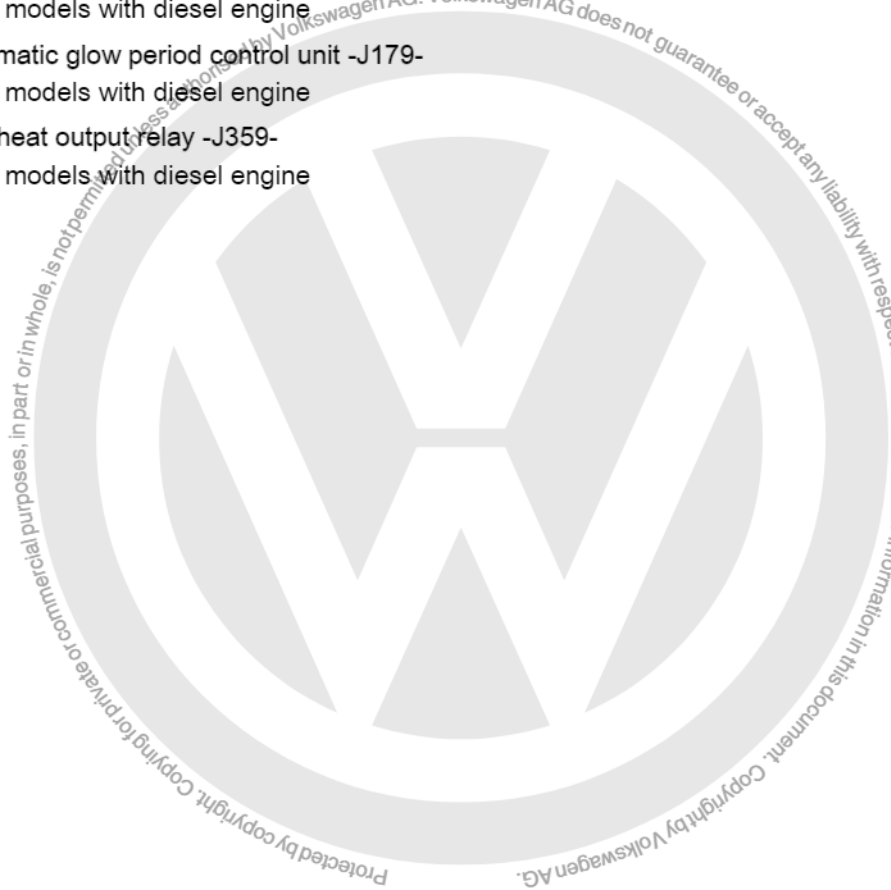
◆ ⇒ ["1.4.1 Relay and fuse carrier 1 SR1 , from March 2017", page 8](#)

### 1.4.1 Relay and fuse carrier 1 -SR1- , from March 2017





- 1 - Relay and fuse carrier 1 -SR1-
  - ❑ For models with diesel engine
- R6 - Automatic glow period control unit -J179-
  - ❑ For models with diesel engine
- R7 - Low heat output relay -J359-
  - ❑ For models with diesel engine



Back to overview ⇒ [page 1](#)

1.5 Relay and fuse carrier 3 -SR3- , from March 2017

- ◆ ⇒ [“1.5.1 Relay and fuse carrier 3 SR3 , variant 1, from March 2017”, page 10](#)
- ◆ ⇒ [“1.5.2 Relay and fuse carrier 3 SR3 , variant 2, from March 2017”, page 11](#)

1.5.1 Relay and fuse carrier 3 -SR3- , variant 1, from March 2017

1 - Relay and fuse carrier 3 -SR3-

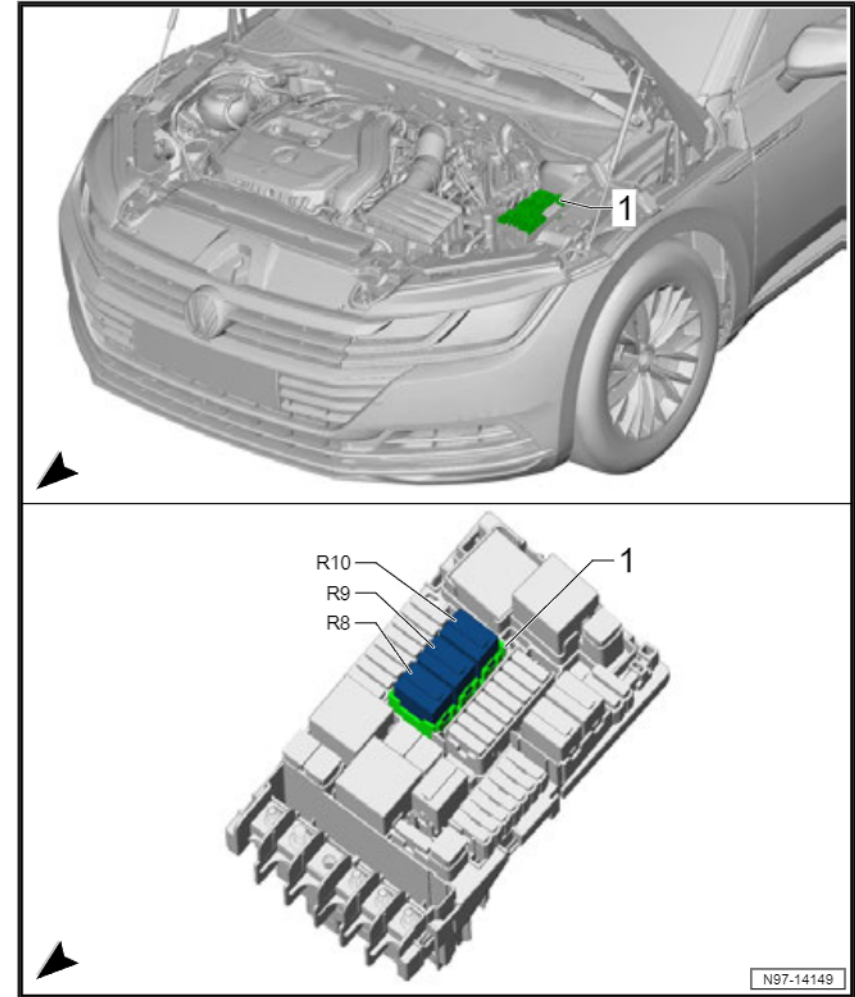
R8 - not assigned

R9 - Heated windscreen relay -J47-

- For models with heated windscreen (4GX)

R10 - Heated windscreen relay 2 -J611-

- For models with heated windscreen (4GX)



Back to overview ⇒ [page 1](#)

1.5.2 Relay and fuse carrier 3 -SR3- , variant 2, from March 2017

1 - Relay and fuse carrier 3 -SR3-

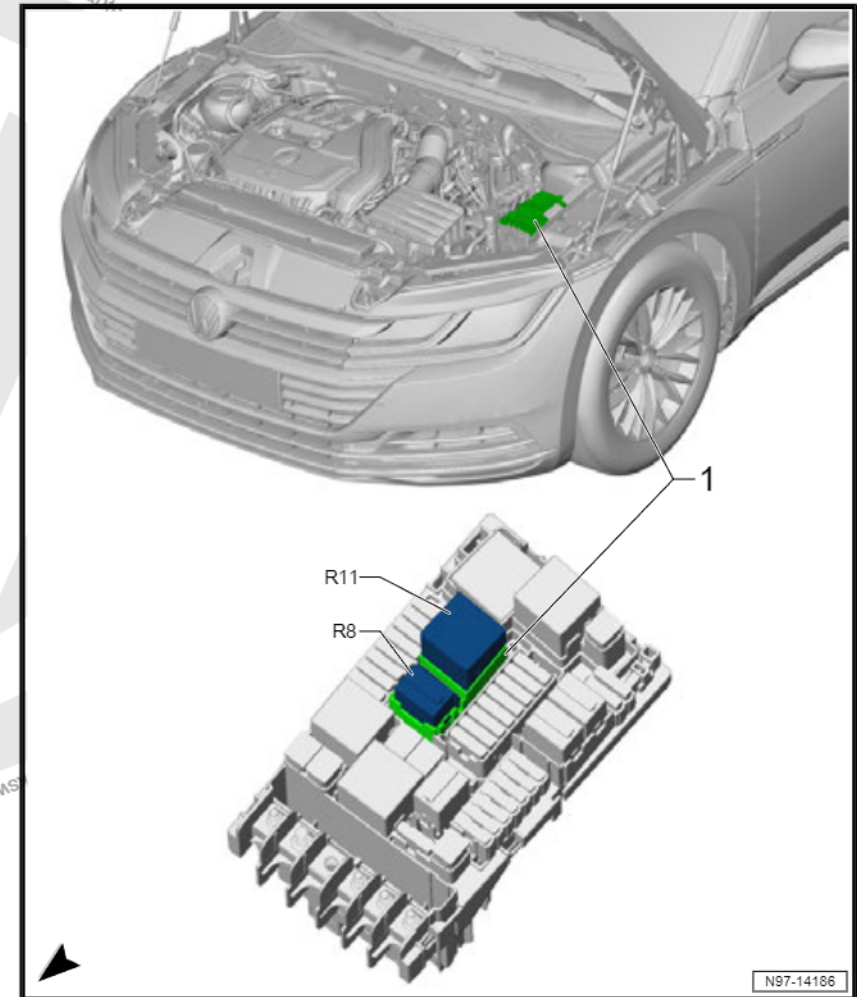
R8 - Engine component current supply relay -J757-

- ❑ For models with 2.0l petrol engine

R11 - Heated windscreen relay -J47-

- ❑ For models with climate windscreen (4GW)

Protected by copyright. Copying for private or commercial purposes, in part or in whole, is not permitted unless authorised by Volkswagen AG. Volkswagen AG does not guarantee



Back to overview ⇒ [page 1](#)

1.6 Remote starting system relay -J471- , from November 2017

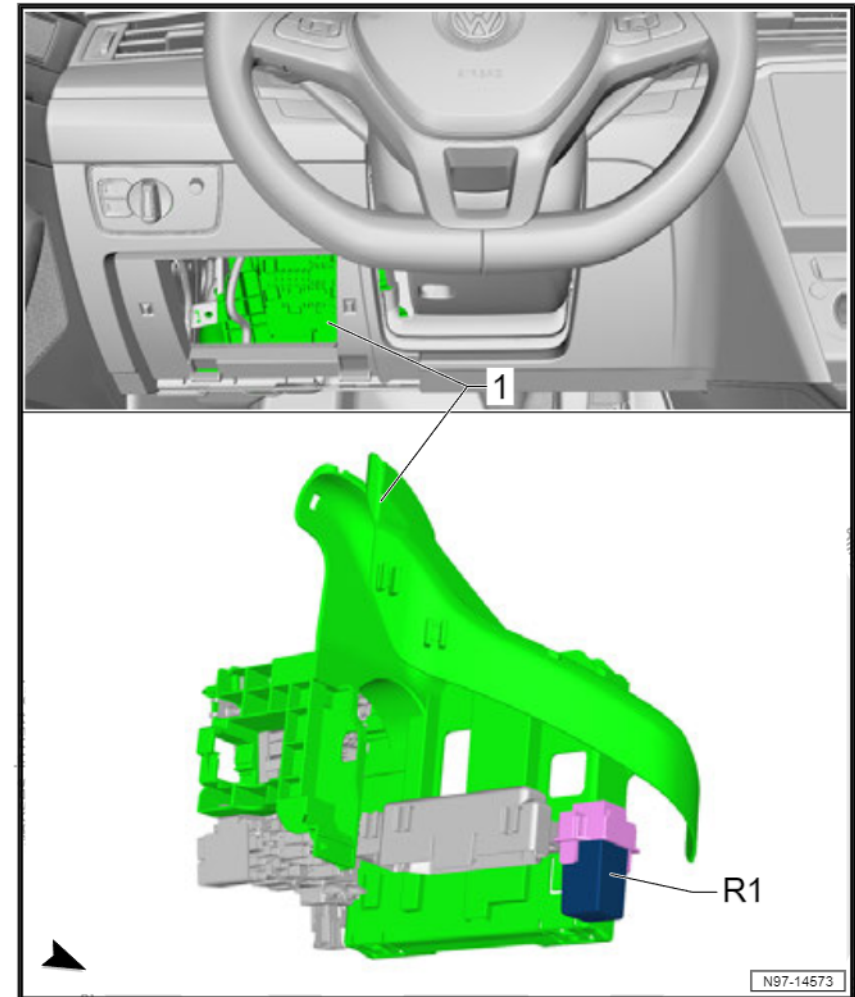
◆ ⇒ ["1.6.1 Remote starting system relay J471 , from November 2017", page 12](#)

1.6.1 Remote starting system relay -J471- , from November 2017

1 - Holder

R1 - Remote starting system relay -J471-

- For models with remote engine start



Back to overview ⇒ [page 1](#)

